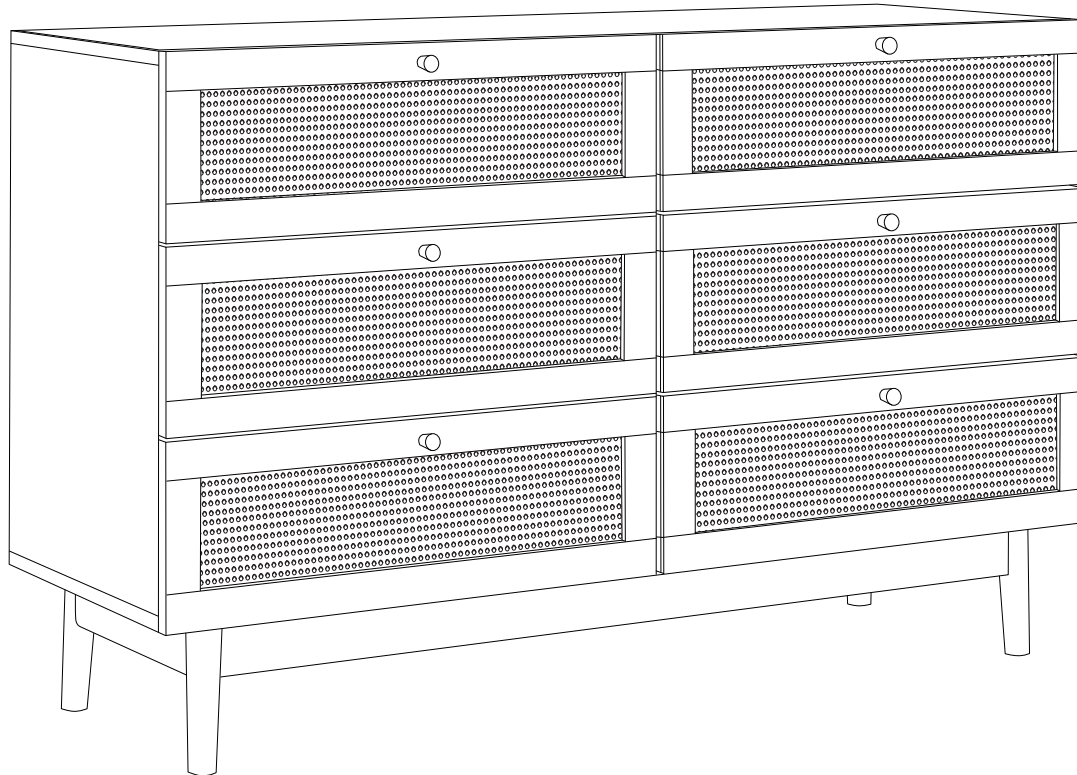
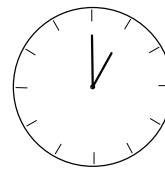
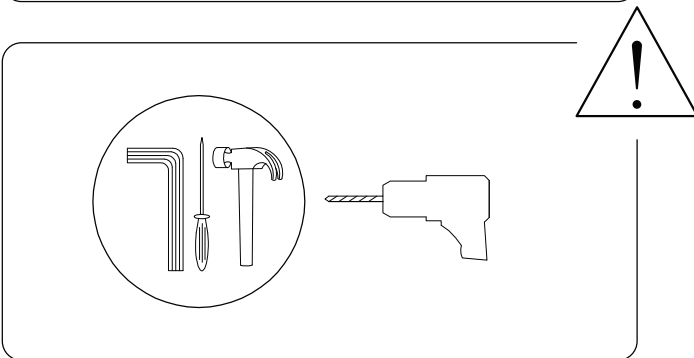
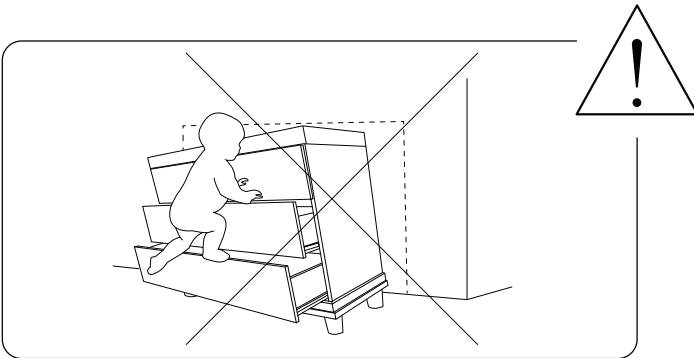
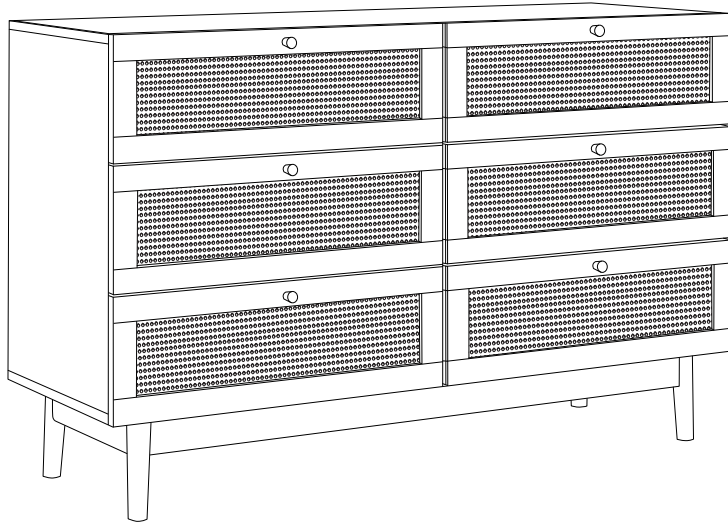
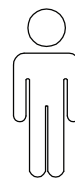
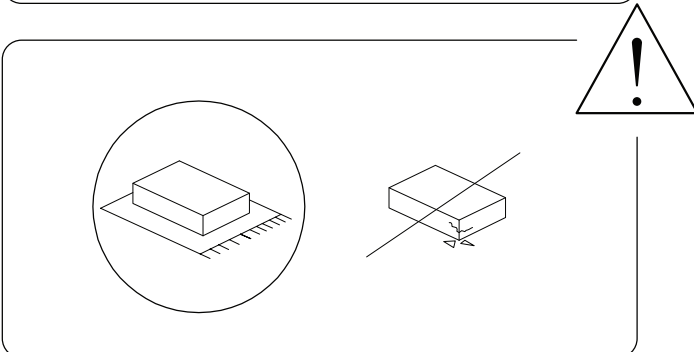


NIVO

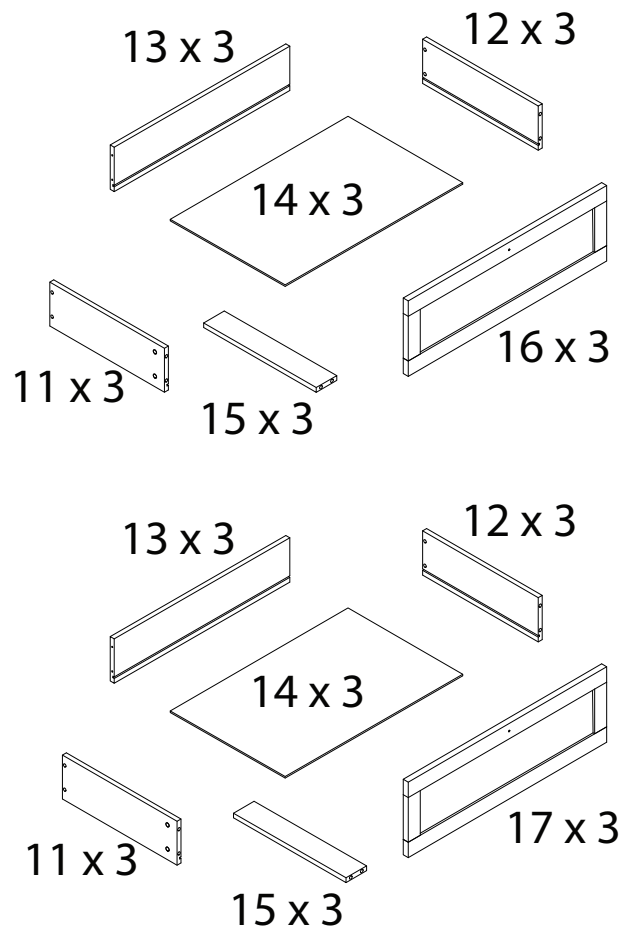
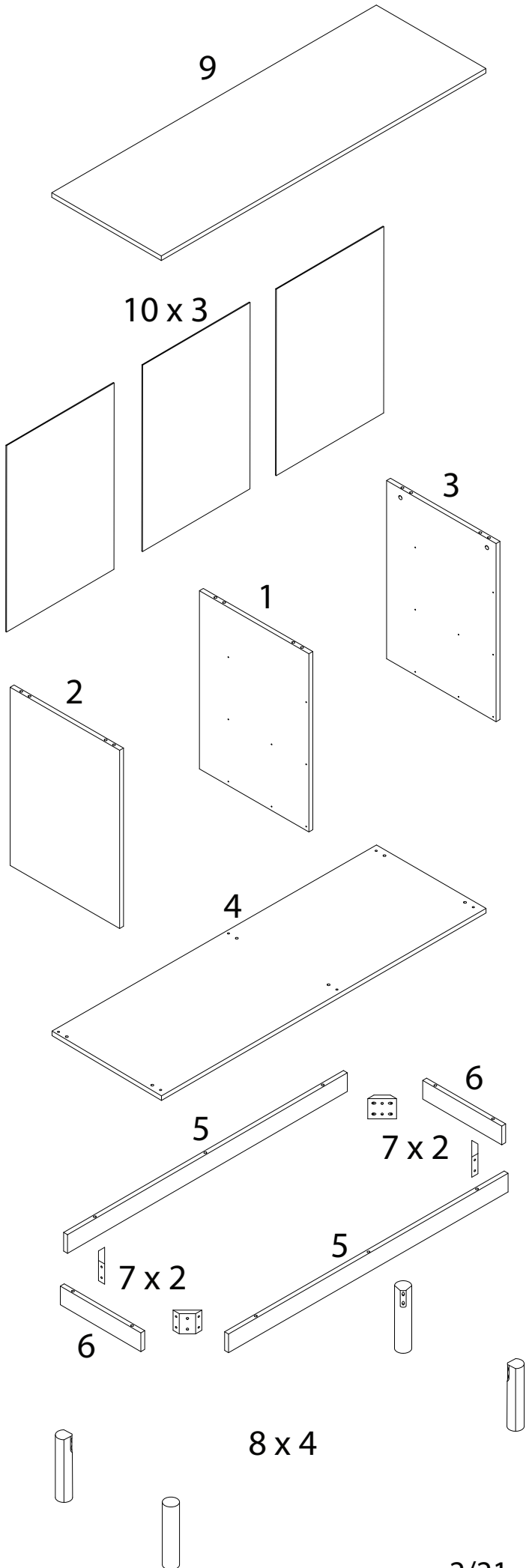


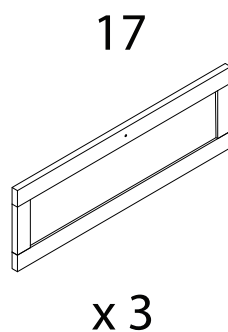
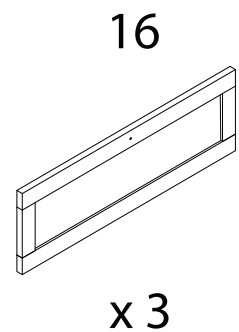
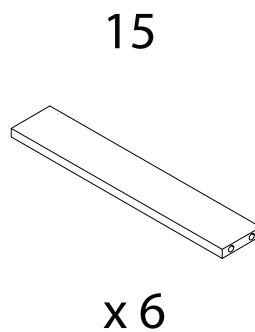
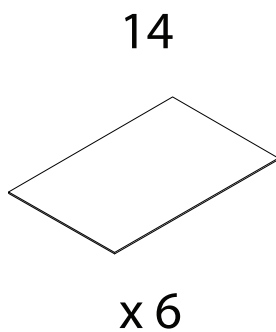
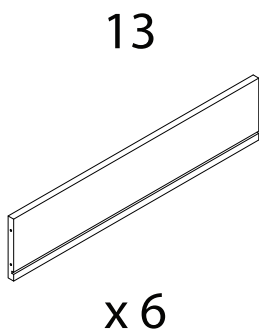
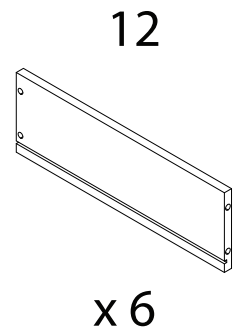
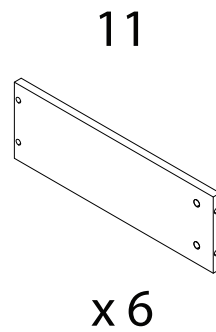
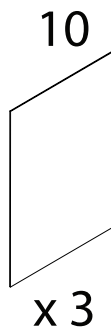
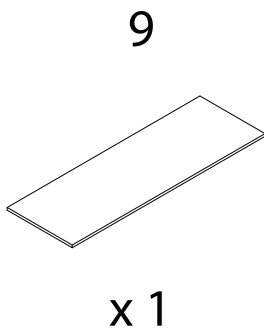
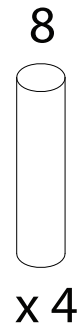
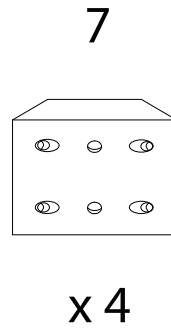
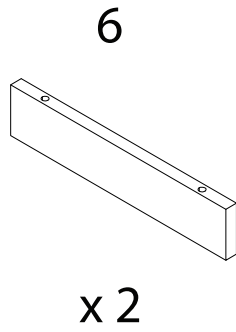
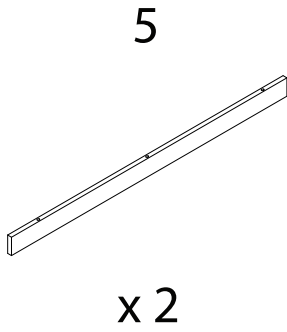
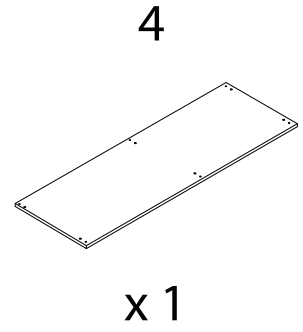
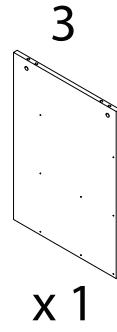
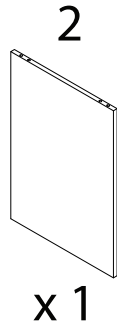
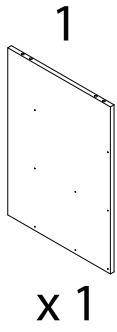


60'

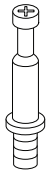


2



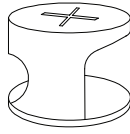


A



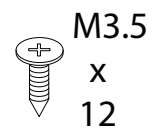
x 30

B



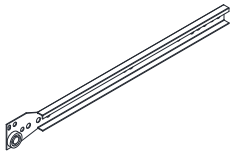
x 30

C



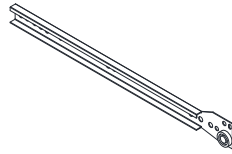
x 60

CL



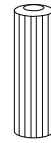
x 6

CR



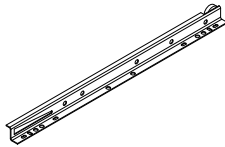
x 6

D



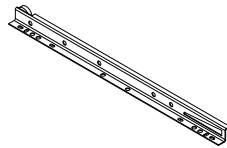
x 18

DL



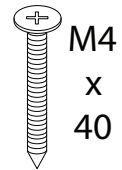
x 6

DR



x 6

E



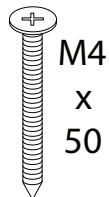
x 6

F



x 16

G



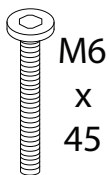
x 10

H



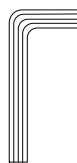
x 4

I



x 8

J



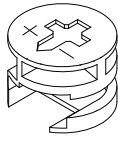
x 1

K



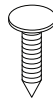
x 6

L



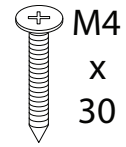
x 6

M



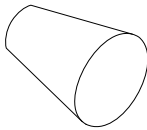
x 24

O



x 36

P



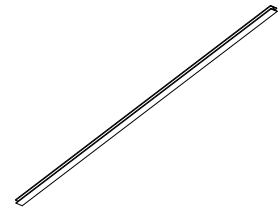
x 6

Q



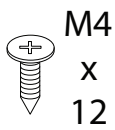
x 6

S



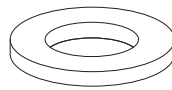
x 2

T



x 2

U



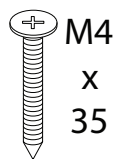
x 2

V



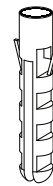
x 2

W



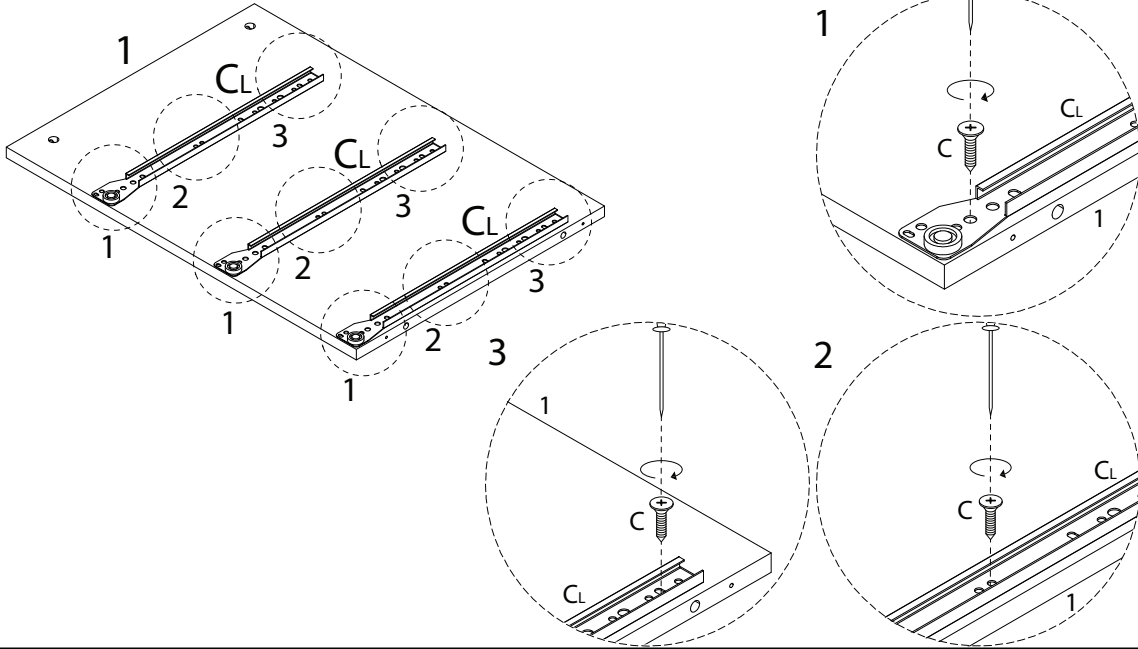
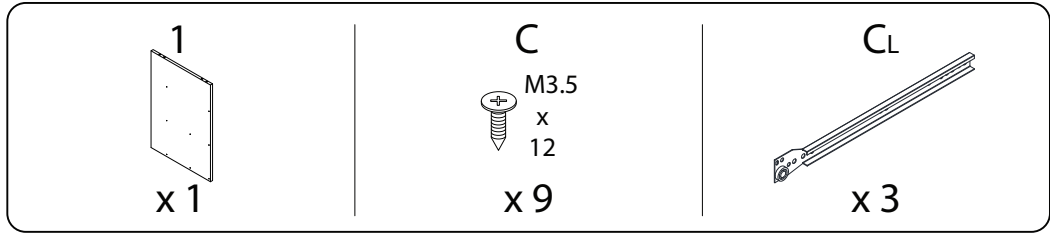
x 2

X

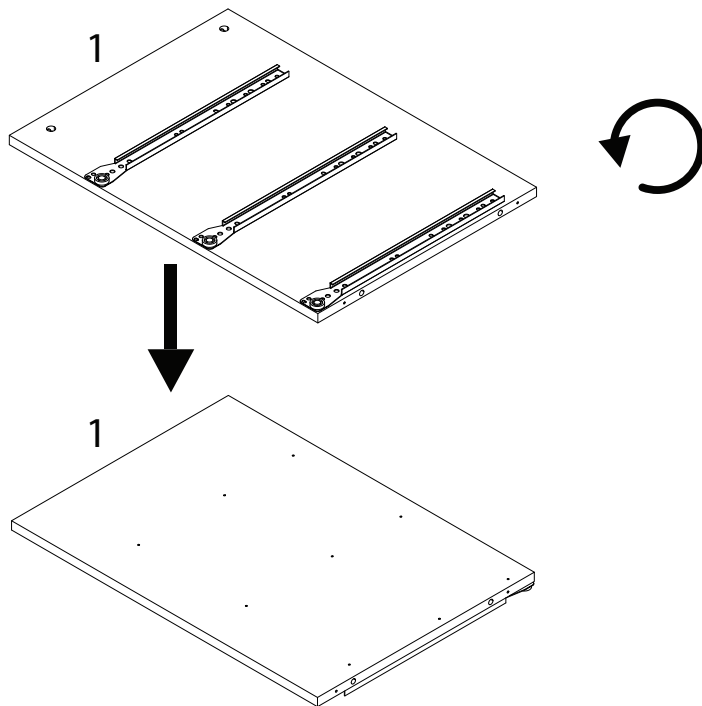


x 2

1



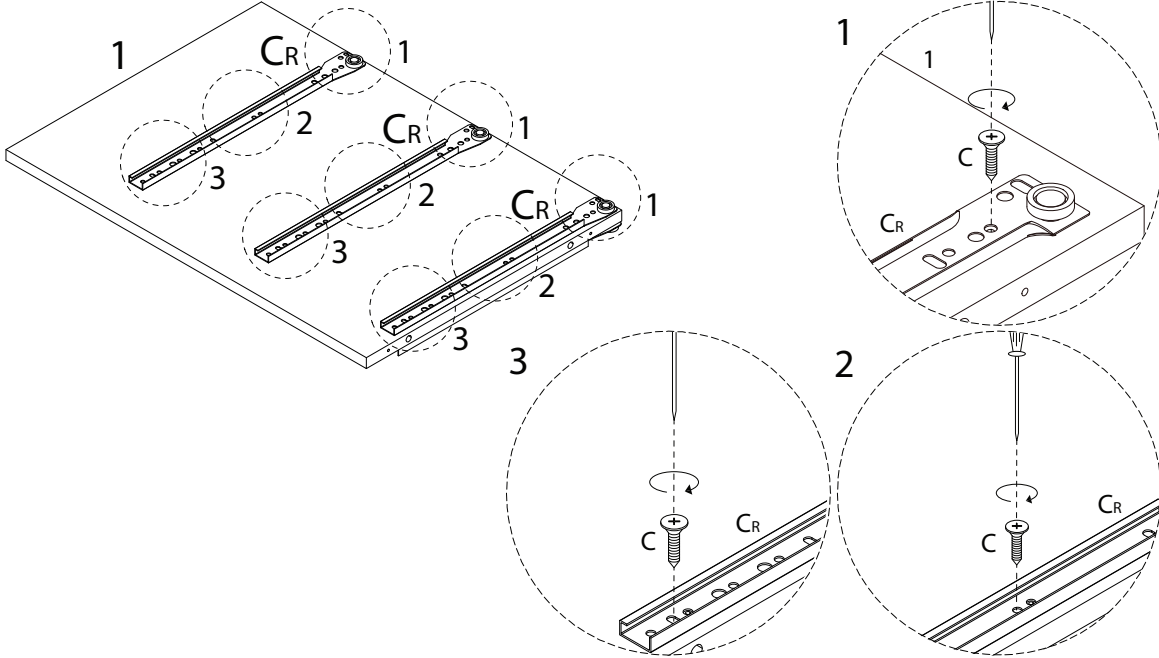
2



3

C
M3.5
x
12
x 9

CR
x 3

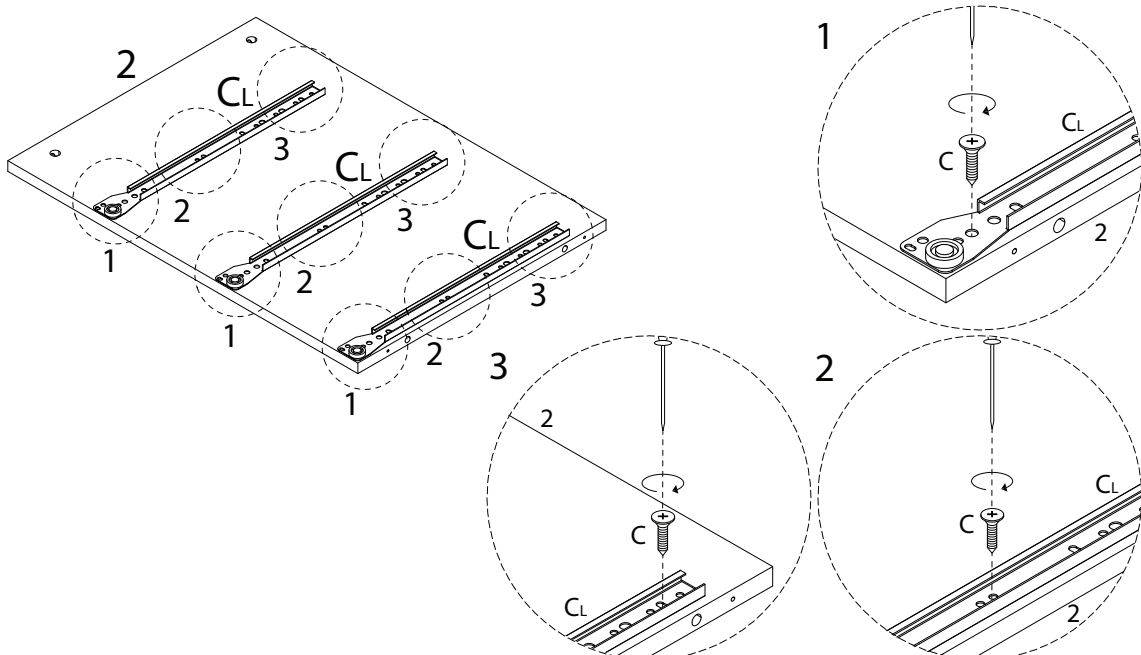


4

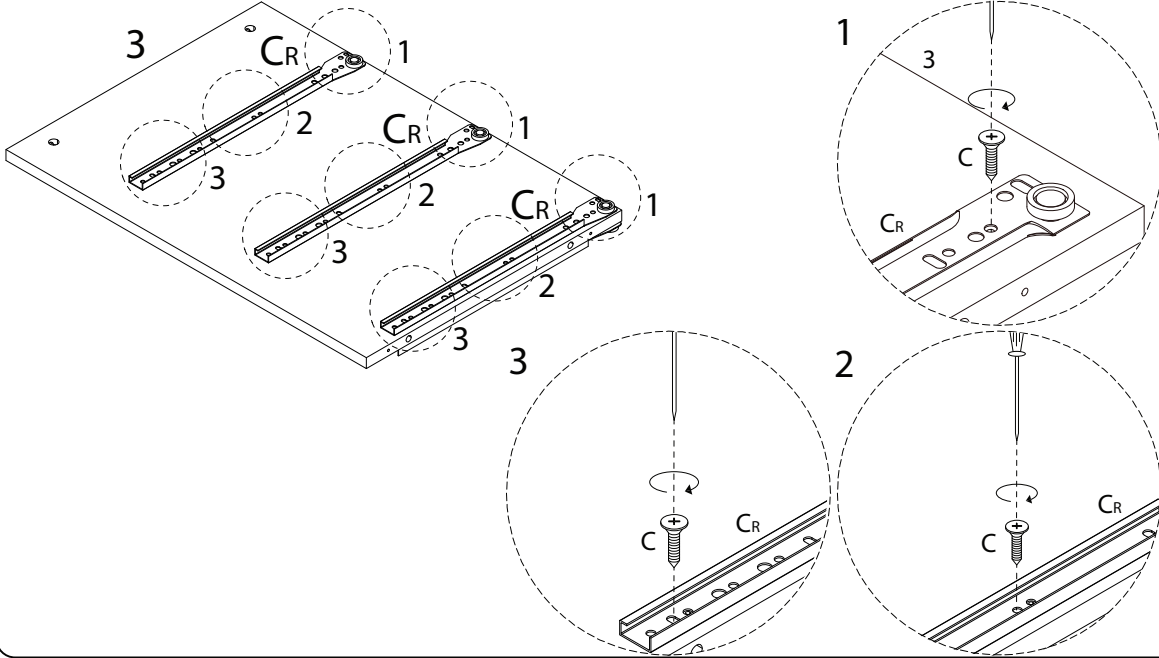
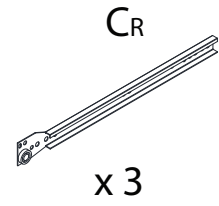
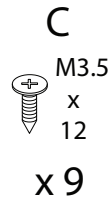
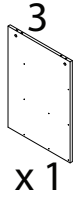
2
x 1

C
M3.5
x
12
x 9

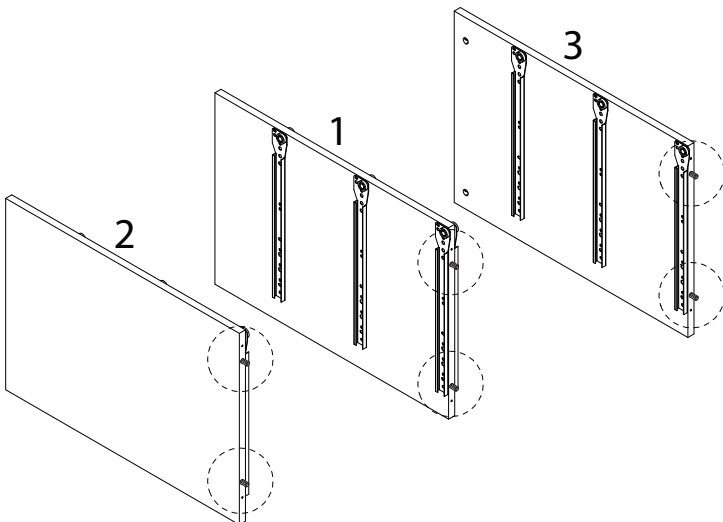
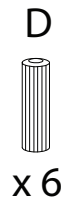
CL
x 3



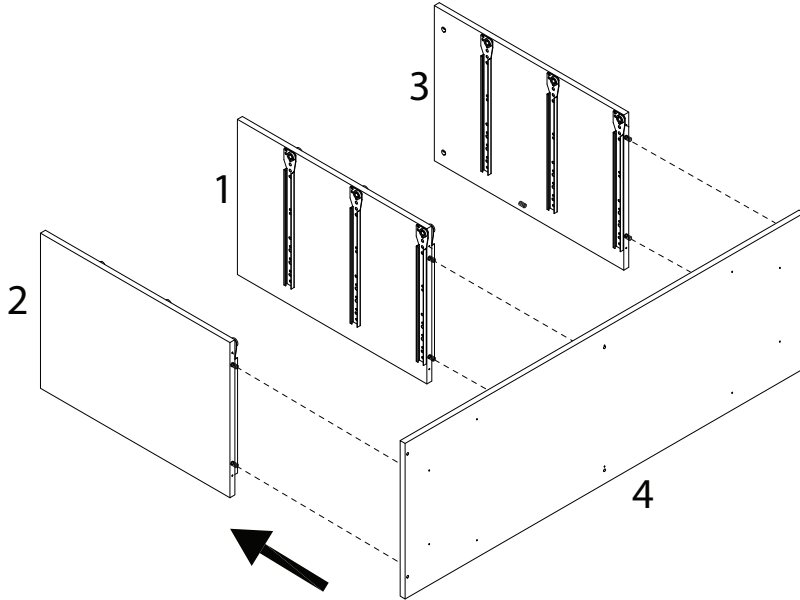
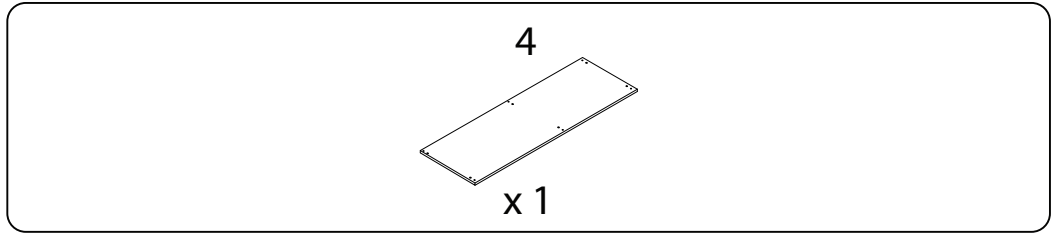
5



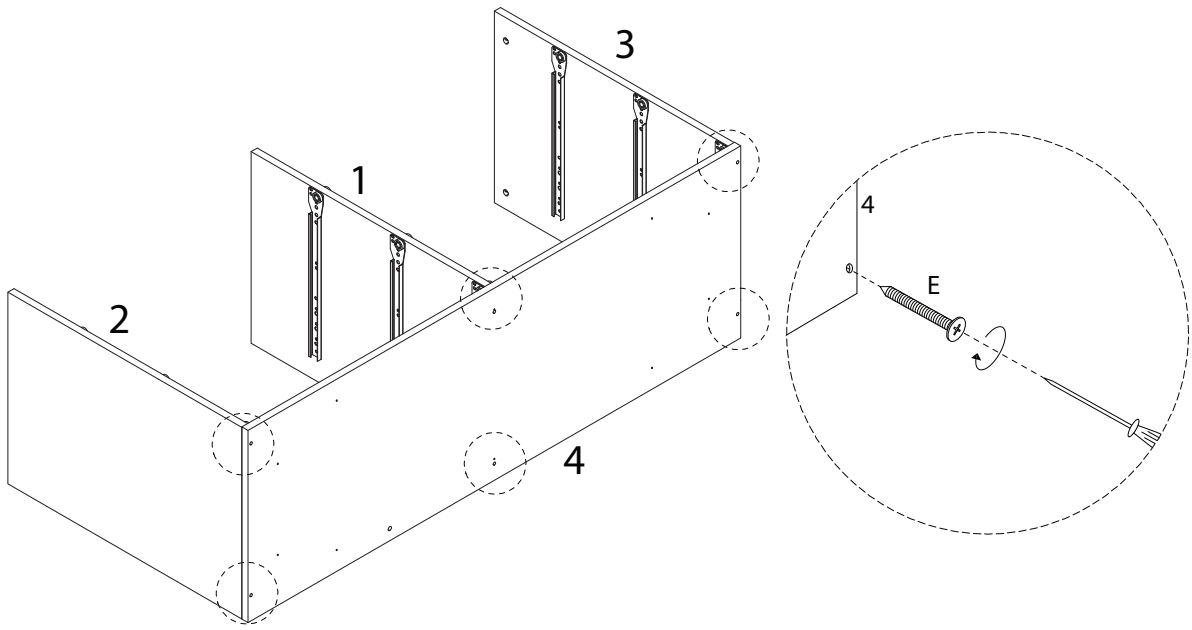
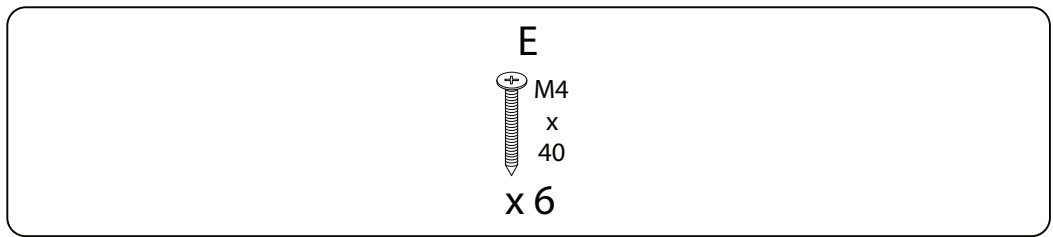
6



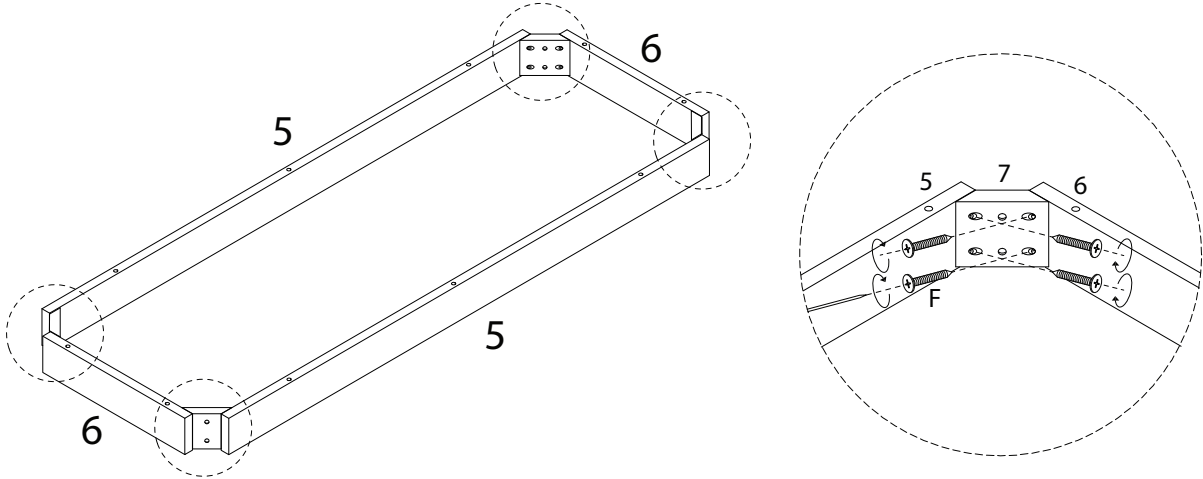
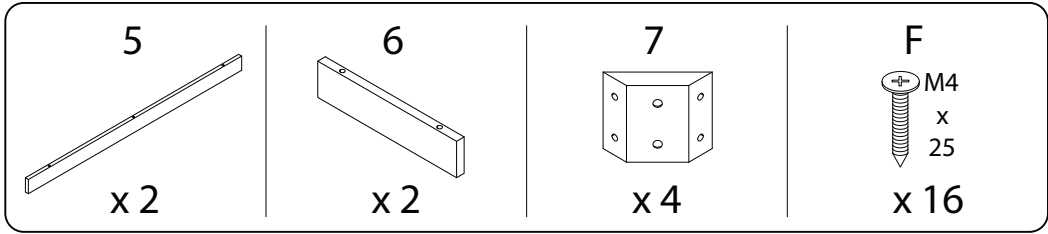
9



10

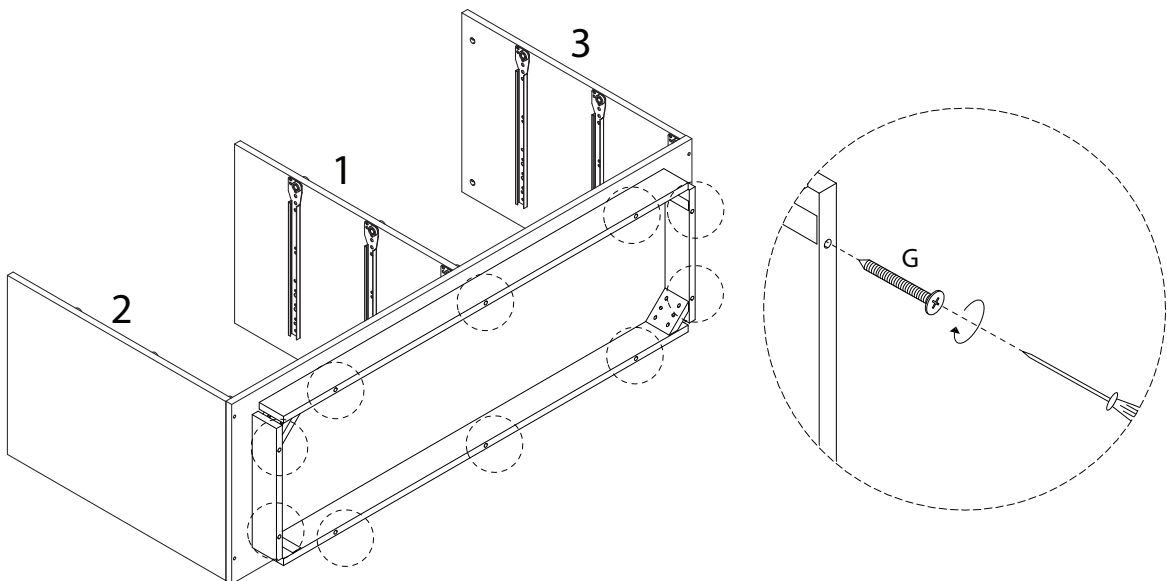


11

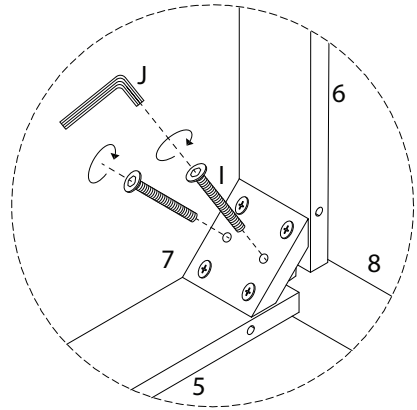
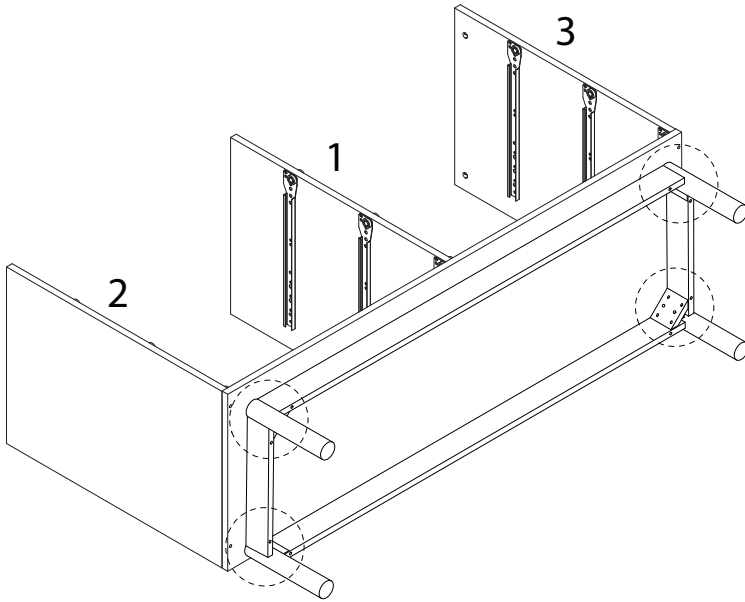
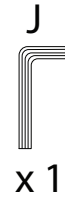
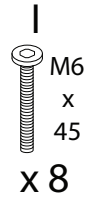
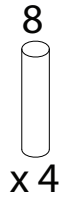


12

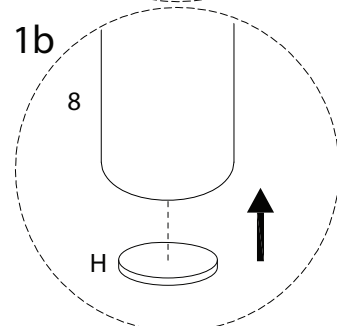
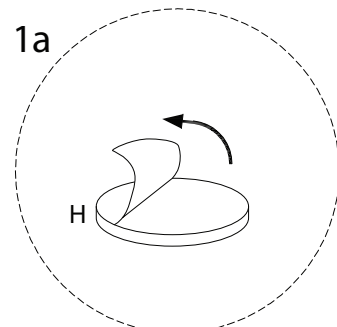
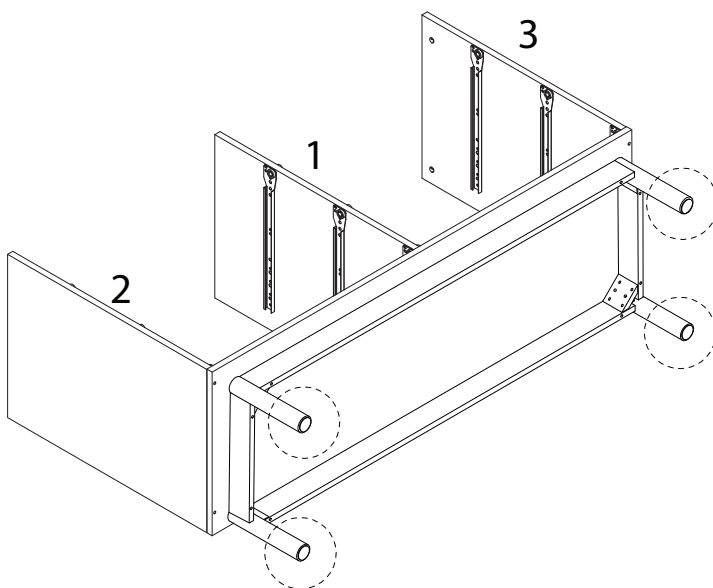
G
M4
x 50
x 10



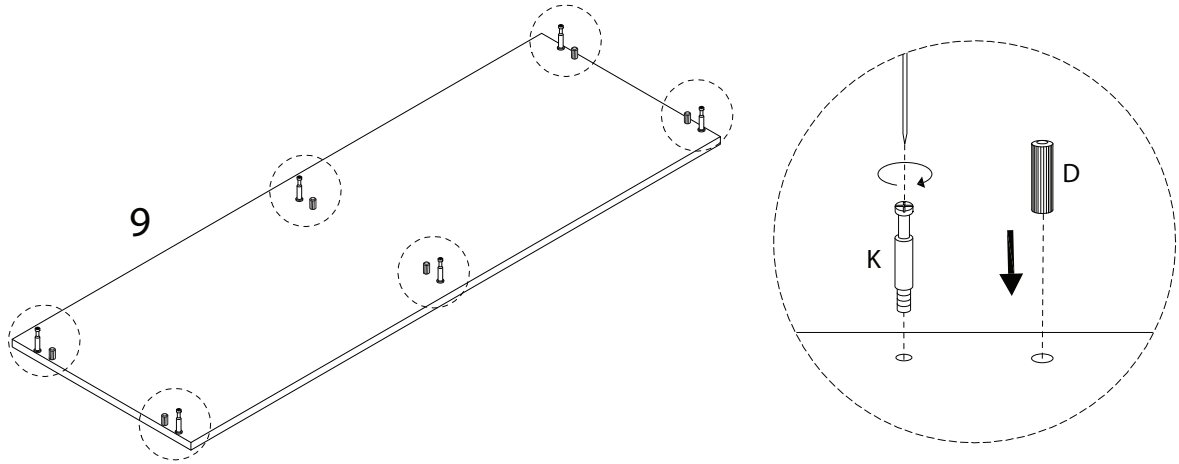
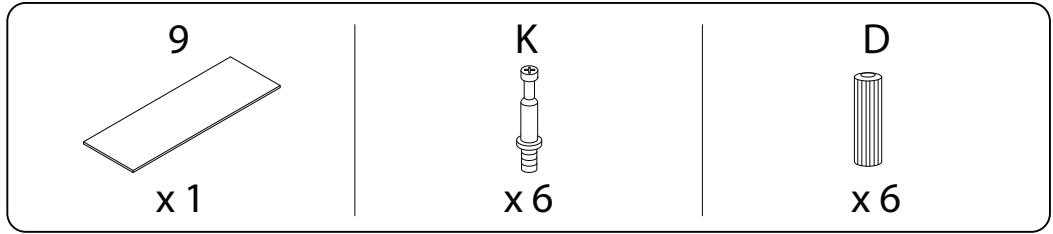
13



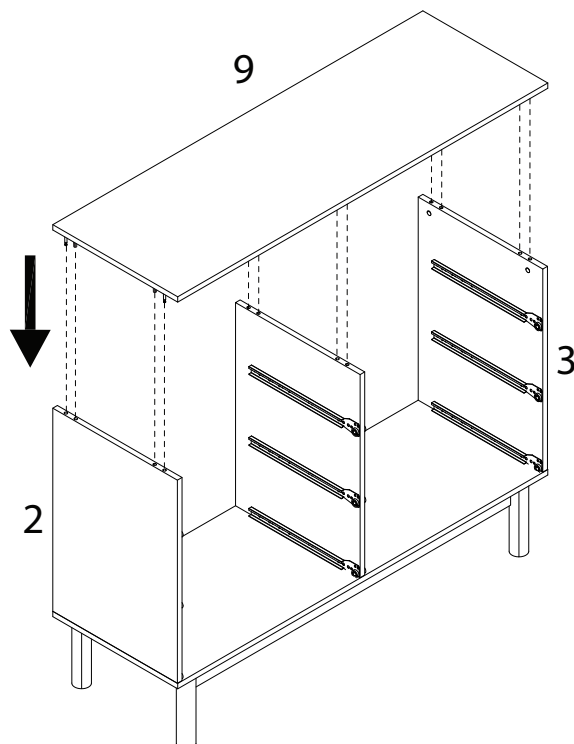
14



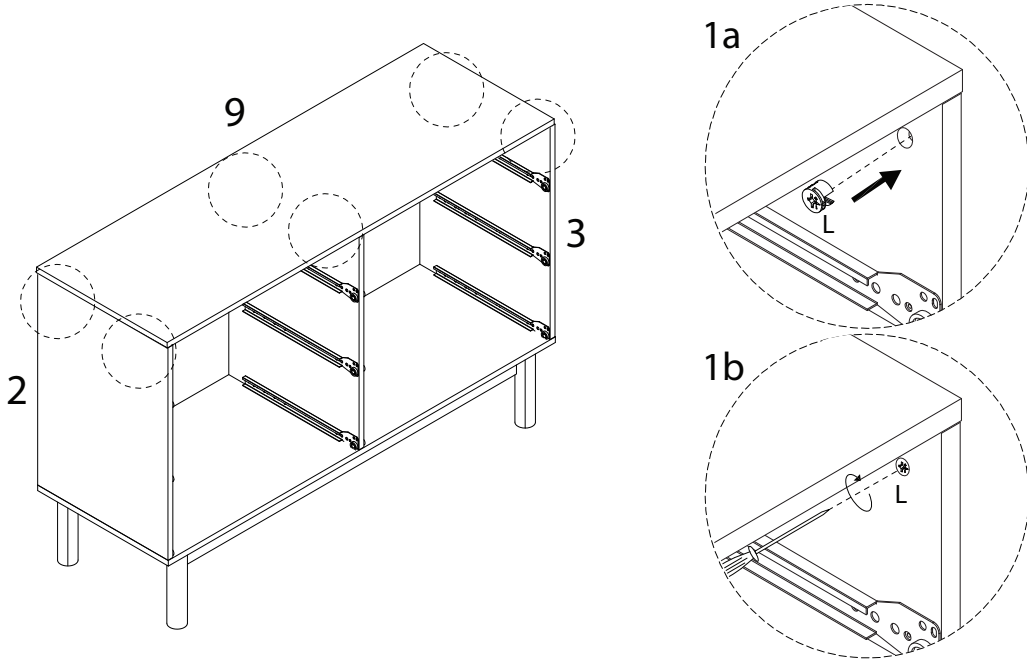
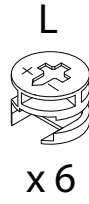
15



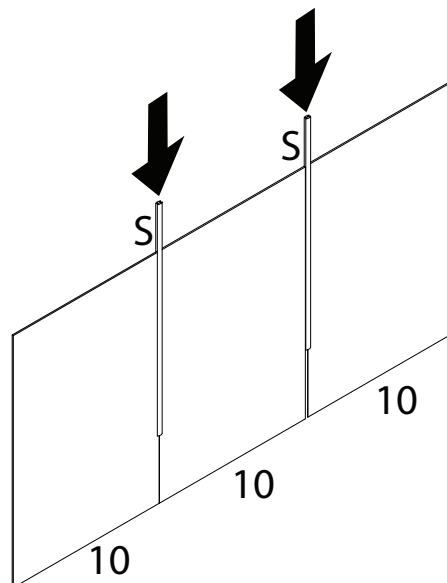
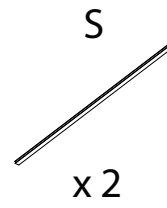
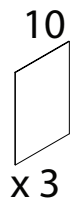
16



17



18

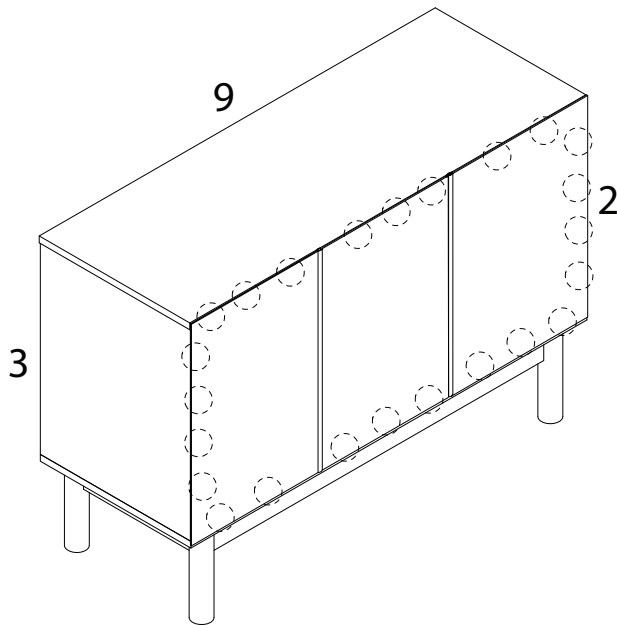


19

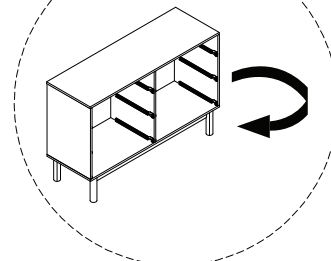
M



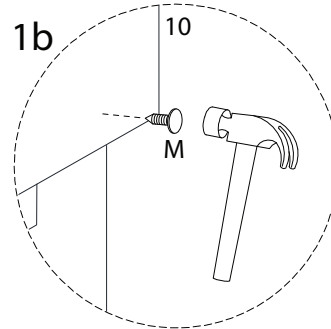
x 24



1a

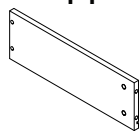


1b



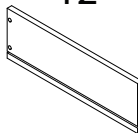
20 x 6

11



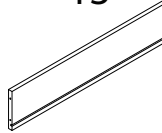
x 1

12



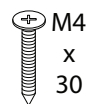
x 1

13

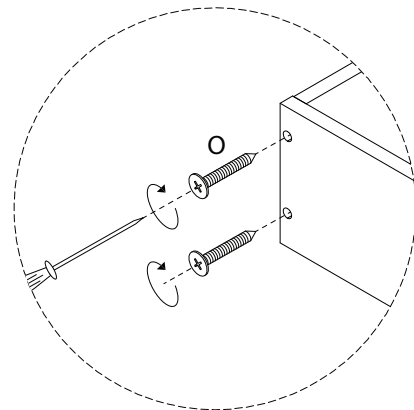
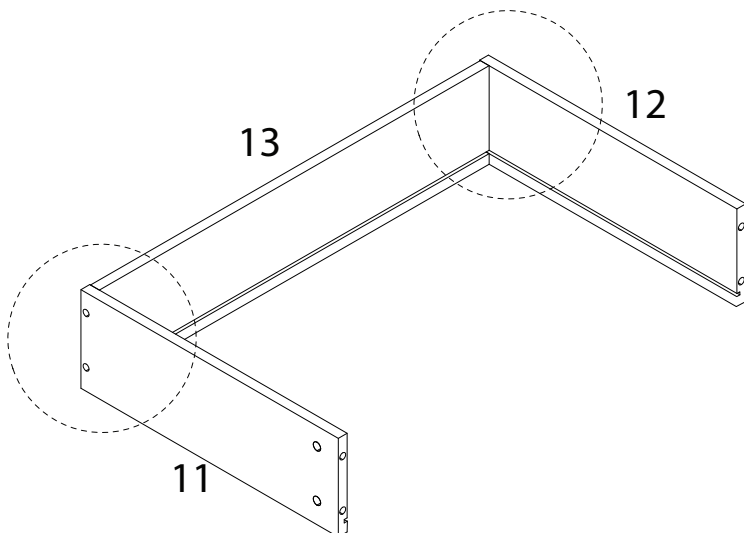


x 1

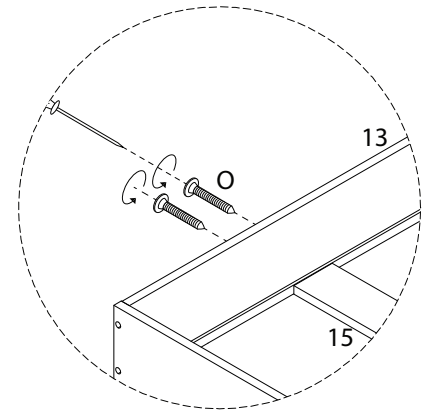
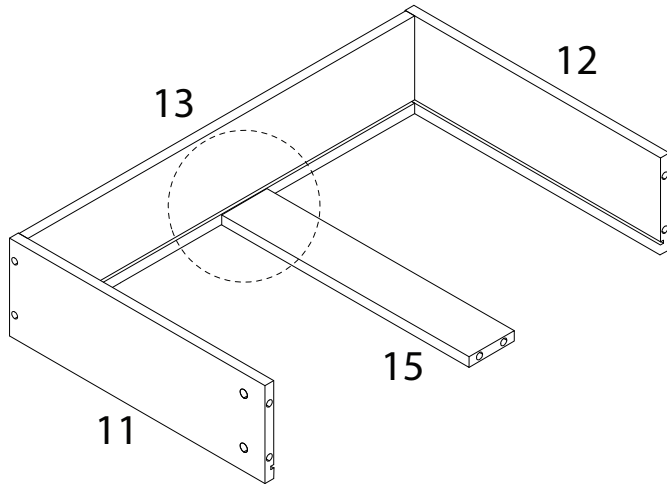
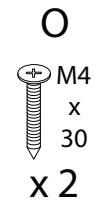
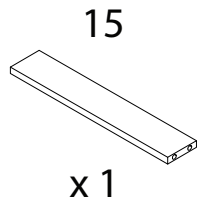
O



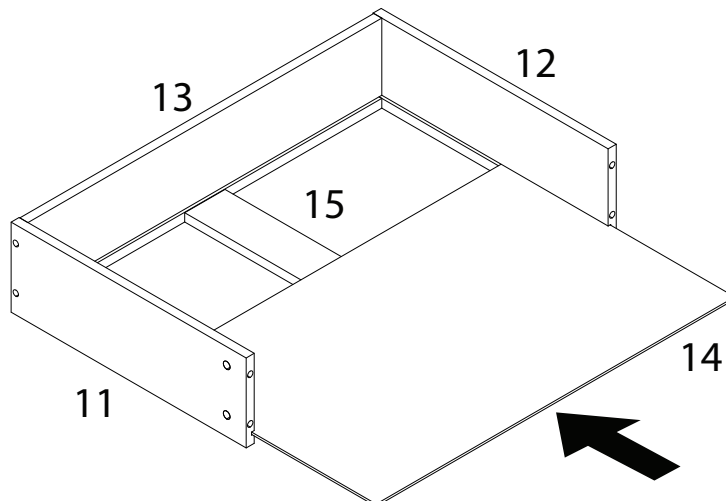
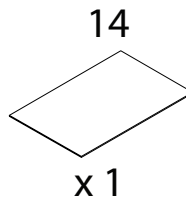
x 4



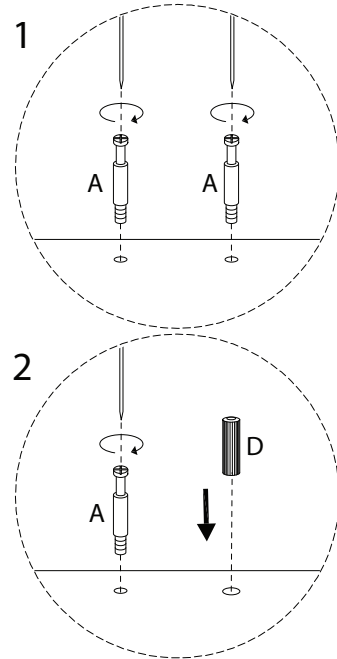
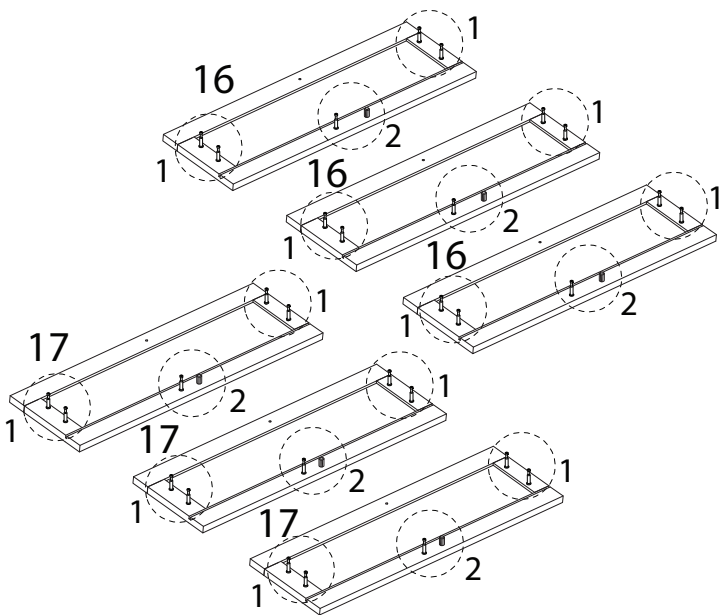
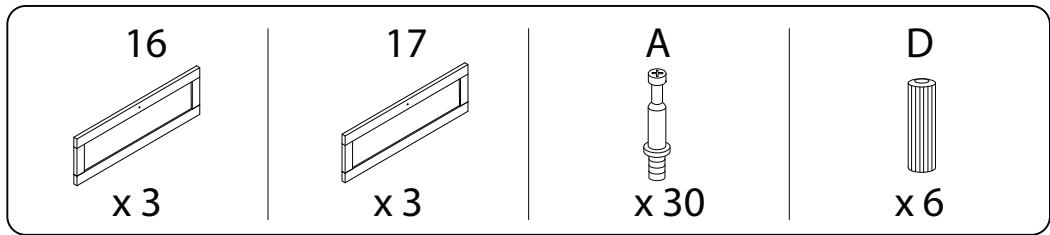
21 x 6



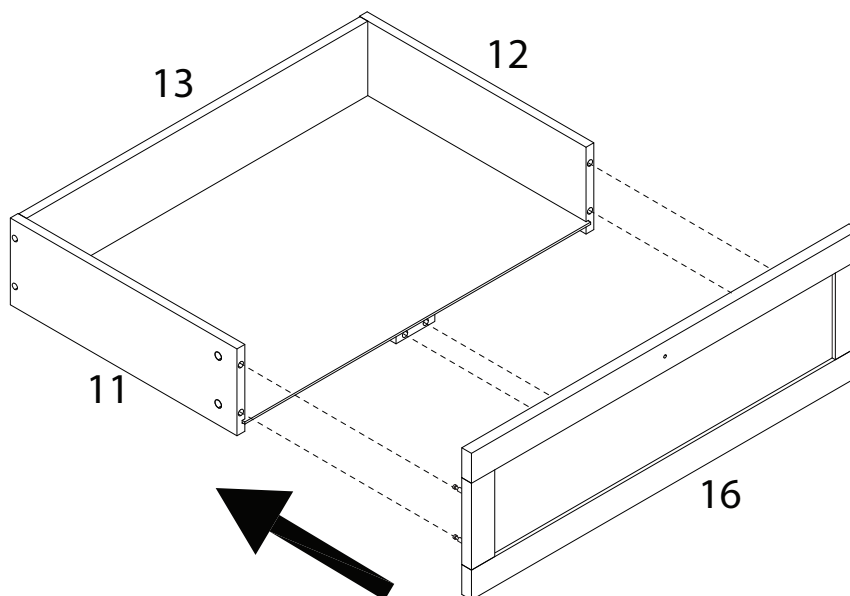
22 x 6



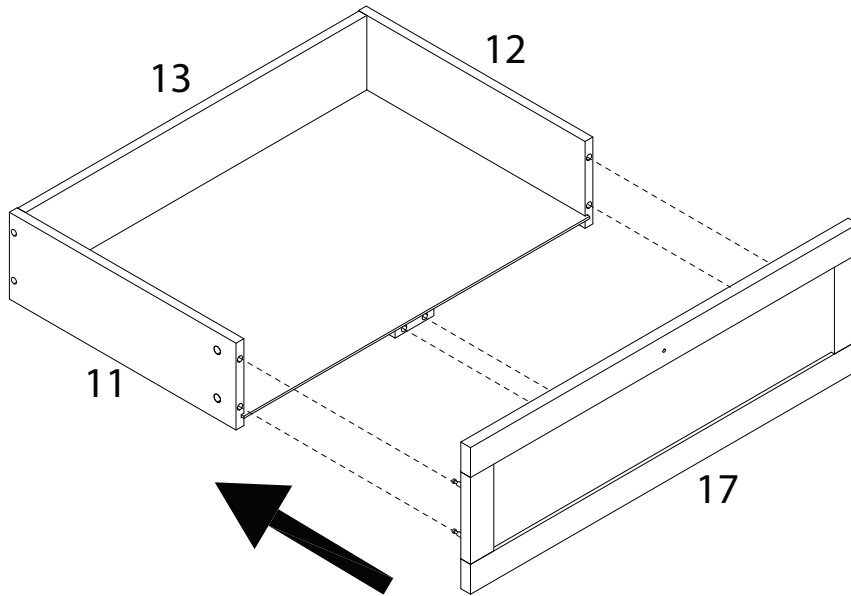
23



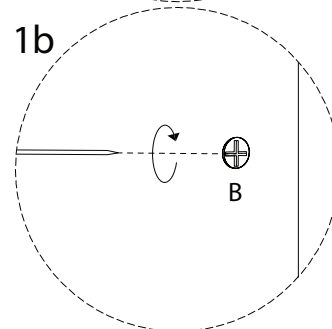
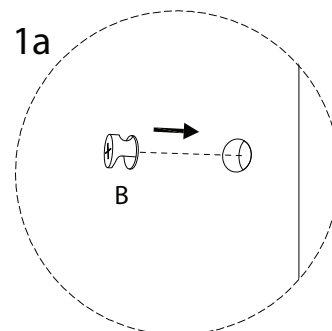
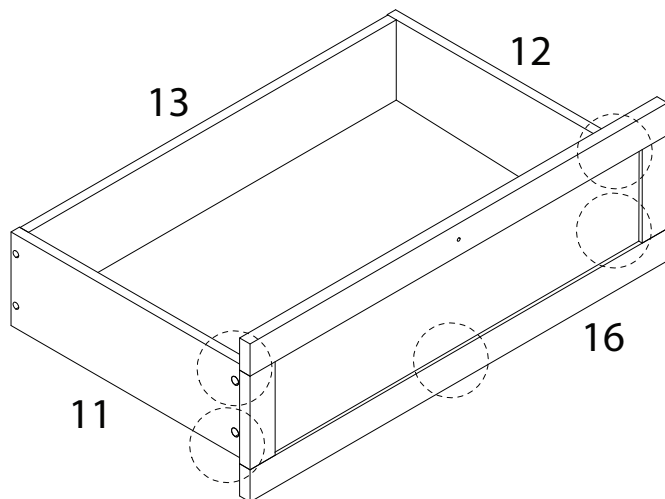
24 x 3



25 x 3



26 x 3

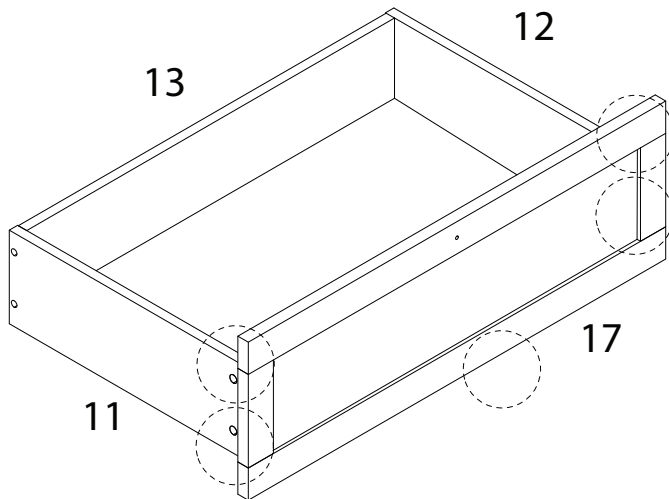


27 x 3

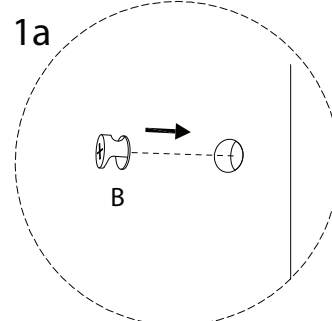
B



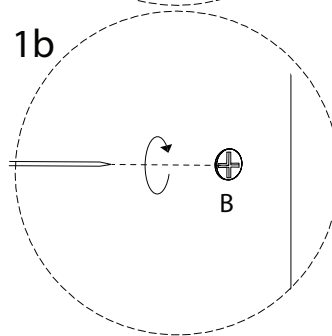
x 5



1a

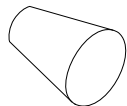


1b



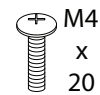
28 x 3

P

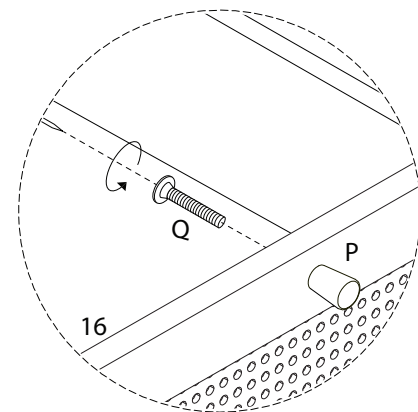
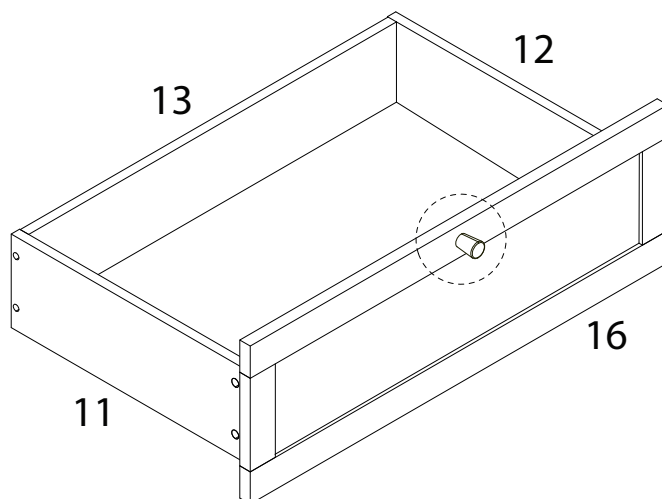


x 1

Q

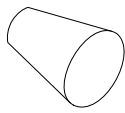


x 1



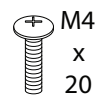
29 x 3

P

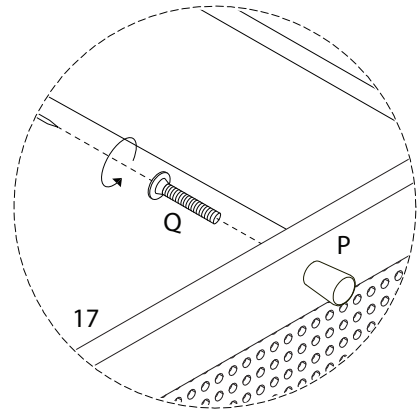
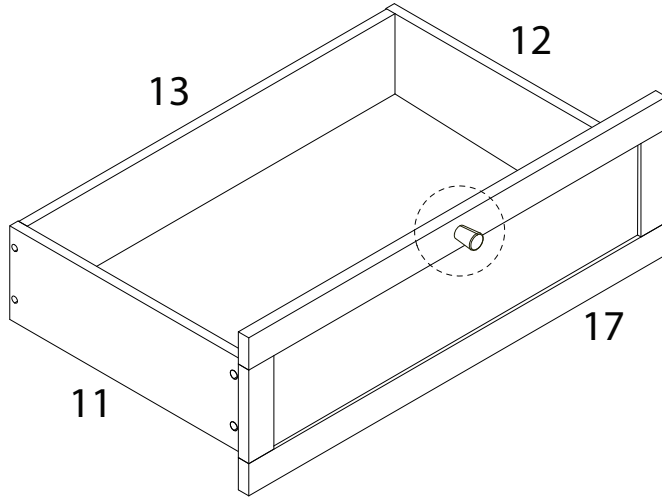


x 1

Q

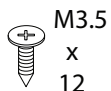


x 1



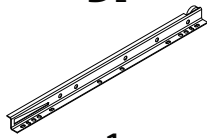
30 x 3

C



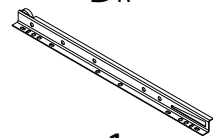
x 4

DL

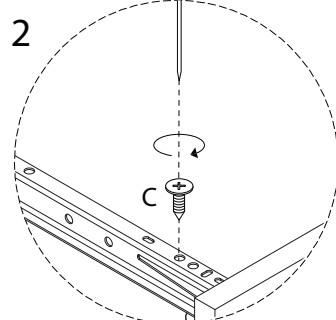
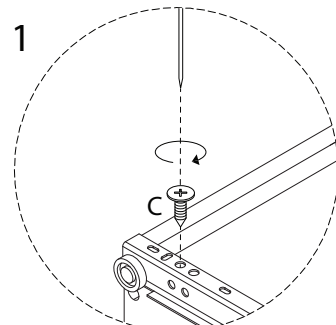
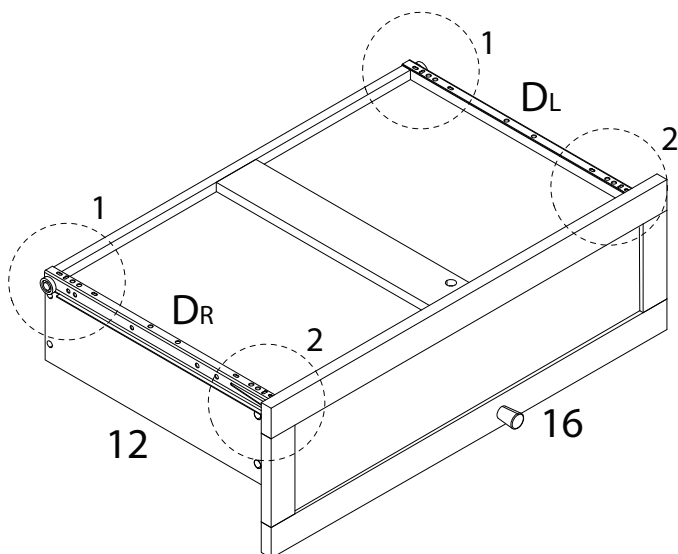


x 1


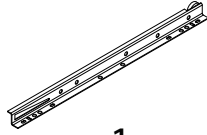
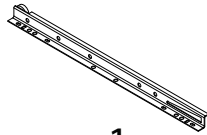
DR

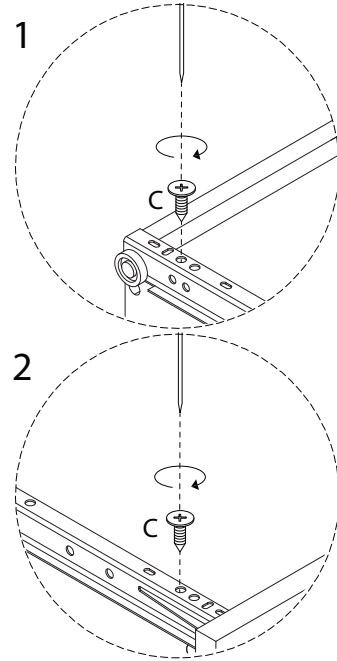
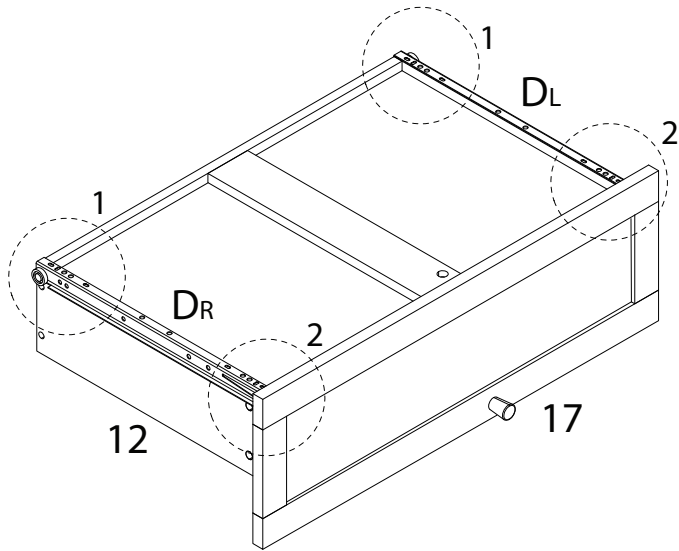


x 1

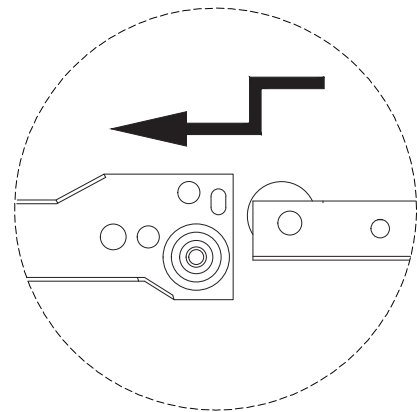
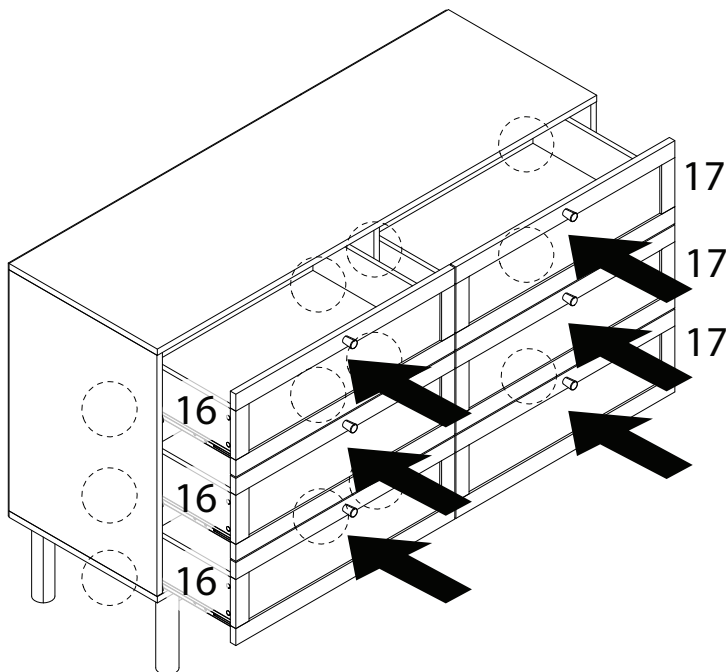


31 x 3






<p>C</p>  <p>M3.5 x 12 x 4</p>	<p>DL</p>  <p>x 1</p>	<p>DR</p>  <p>x 1</p>
---	--	--



32



33

T  M4 x 12 x 2	U  x 2	V  x 2	W  M4 x 35 x 2	X  x 2
---	--	--	---	--

