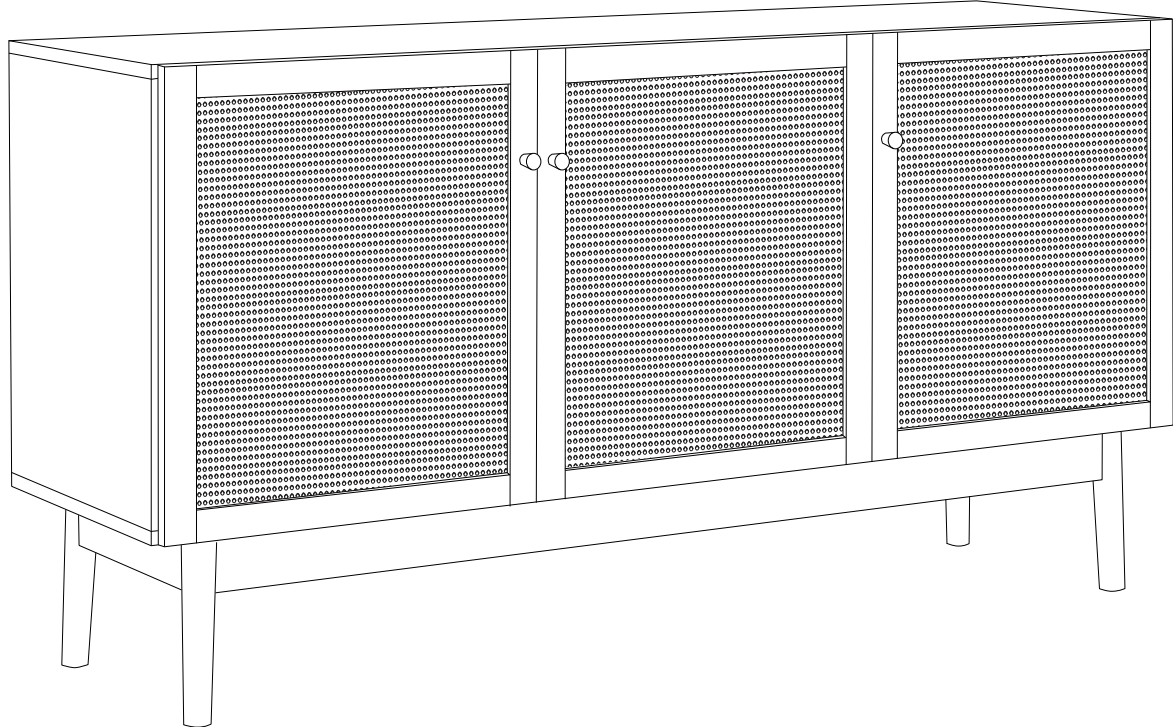
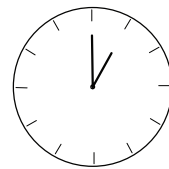
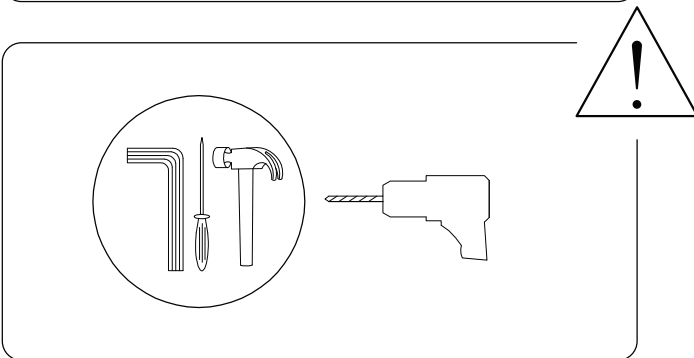
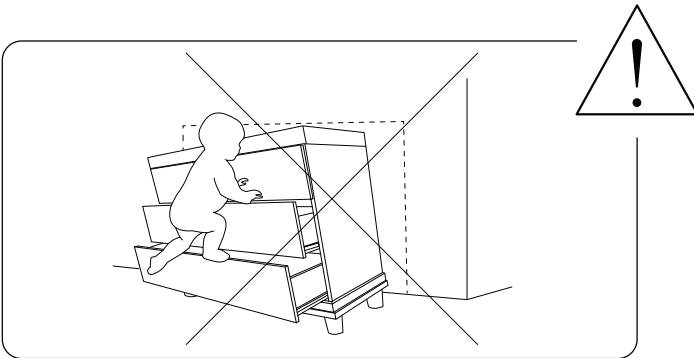
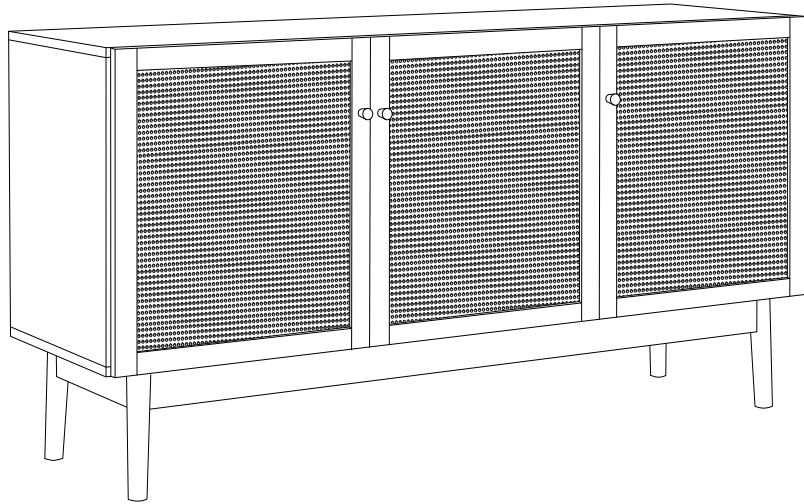
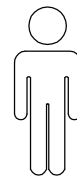
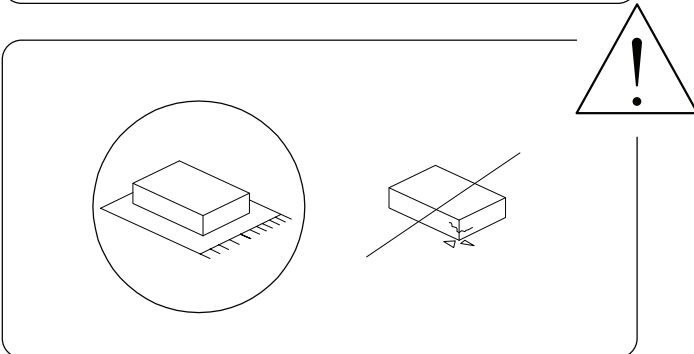


# NIVO

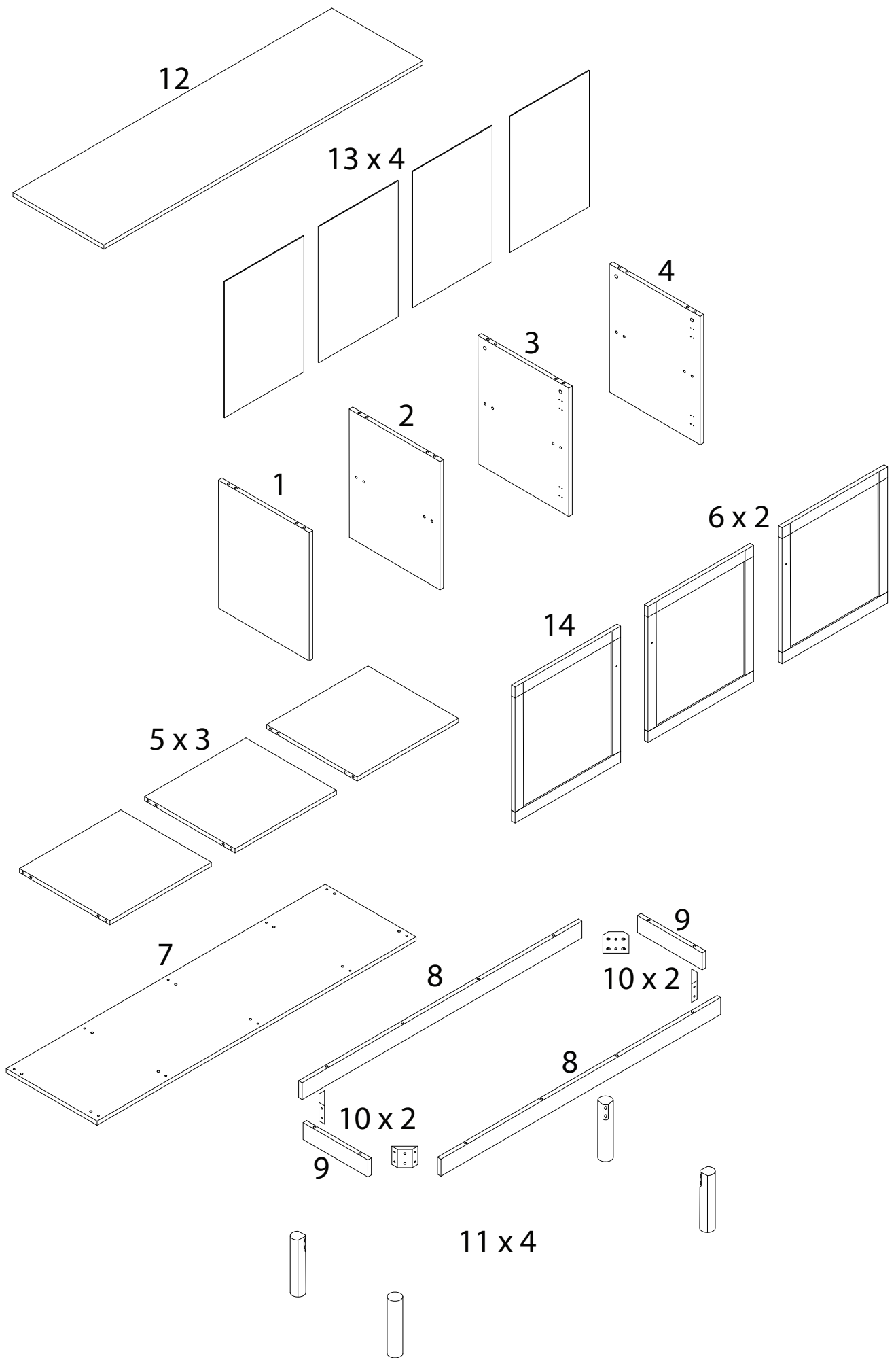


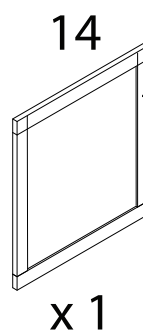
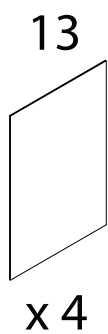
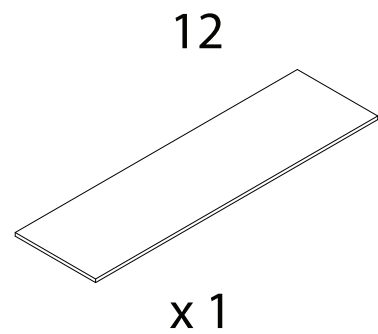
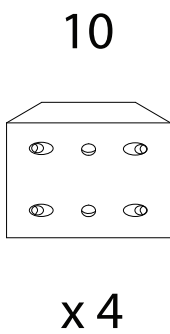
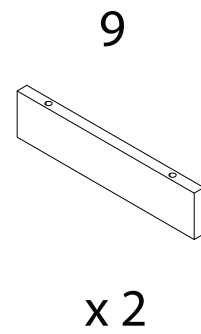
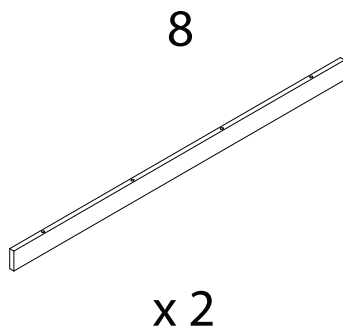
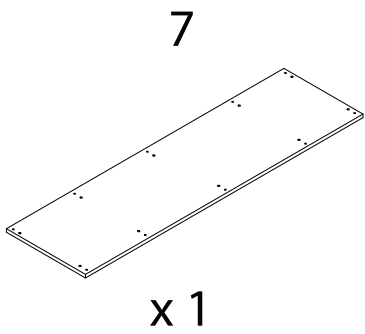
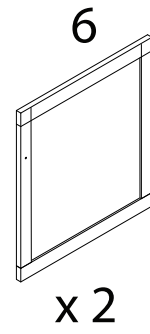
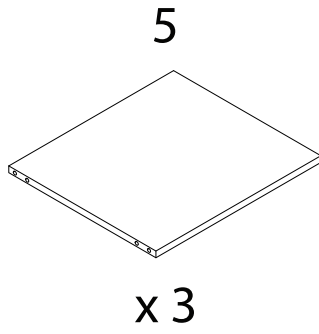
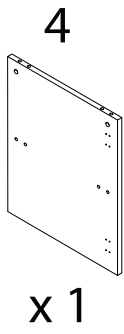
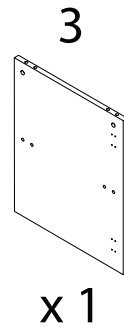
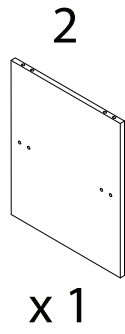
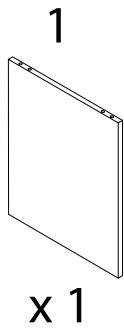


60'

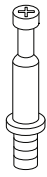


2



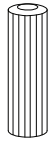


A



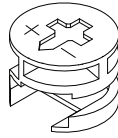
x 20

B



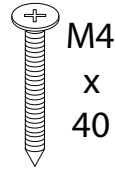
x 20

C



x 20

D



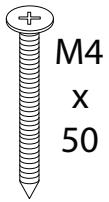
x 8

E



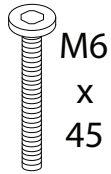
x 16

F



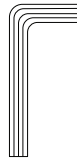
x 12

G



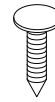
x 8

H



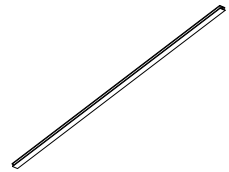
x 1

I



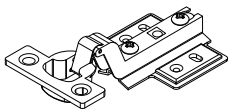
x 28

J



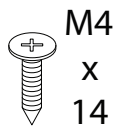
x 3

K



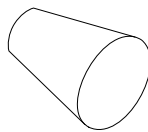
x 6

L



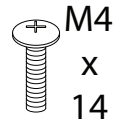
x 36

M



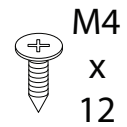
x 3

N



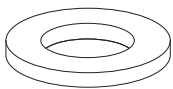
x 3

O



x 2

P



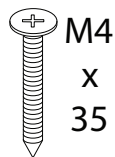
x 2

Q



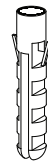
x 2

R



x 2

S



x 2

T



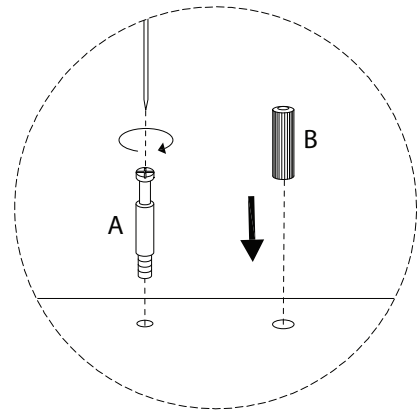
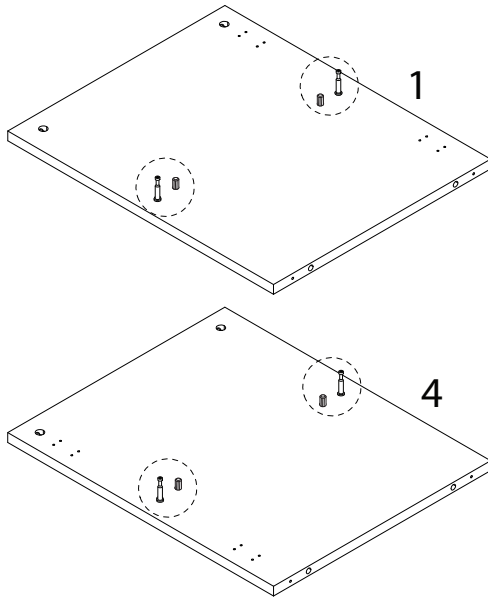
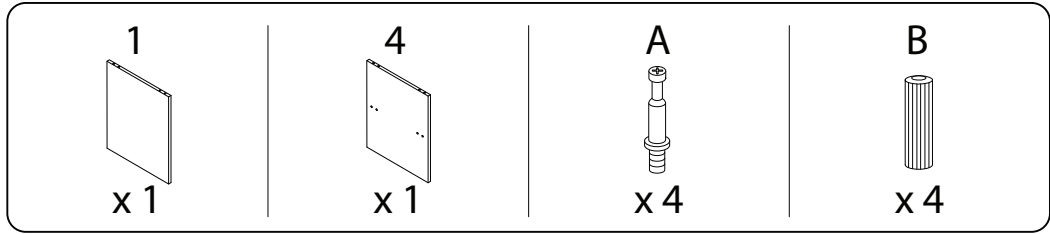
x 4

U

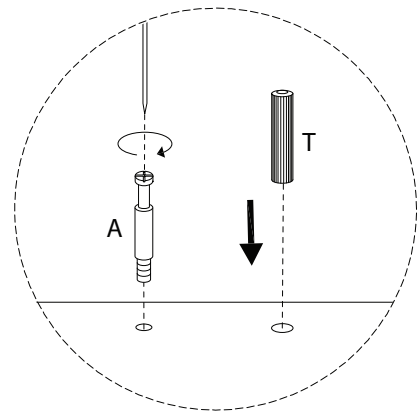
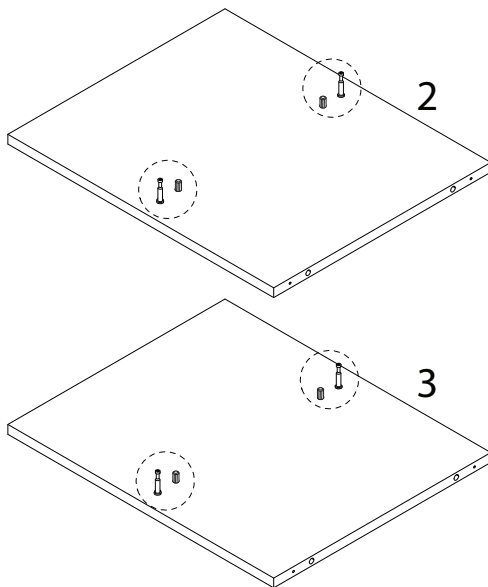
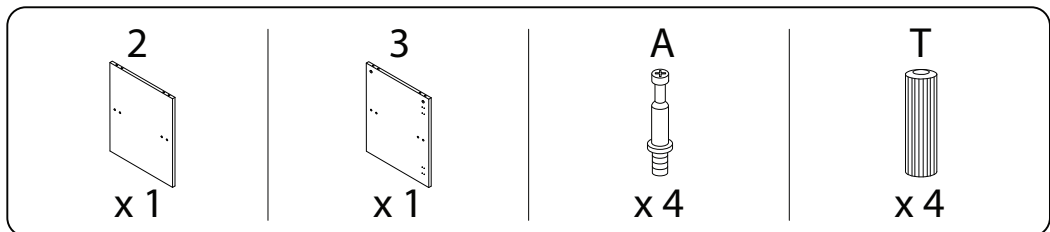


x 4

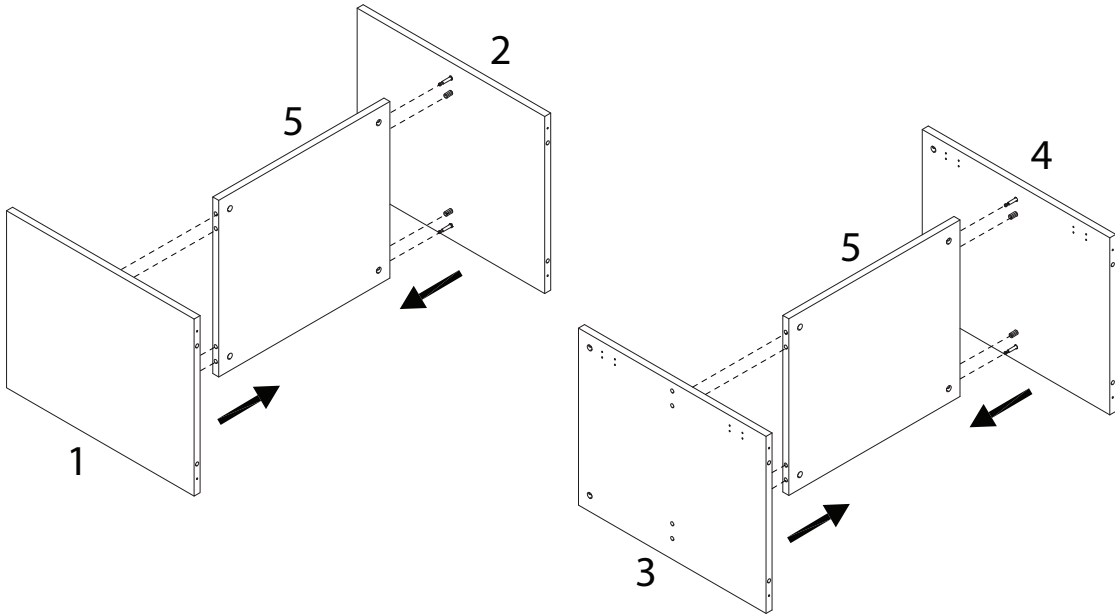
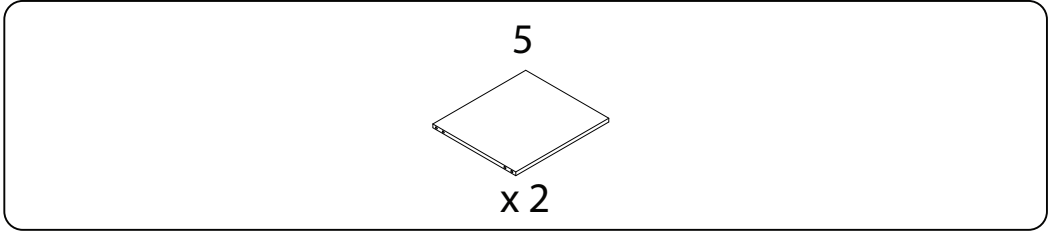
1



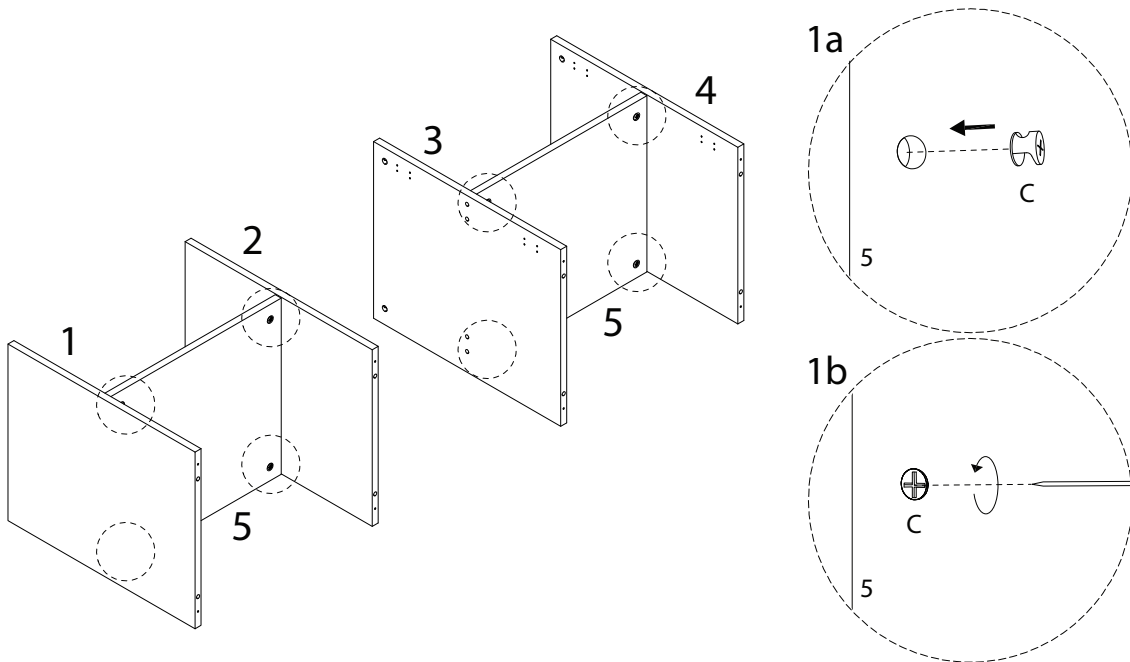
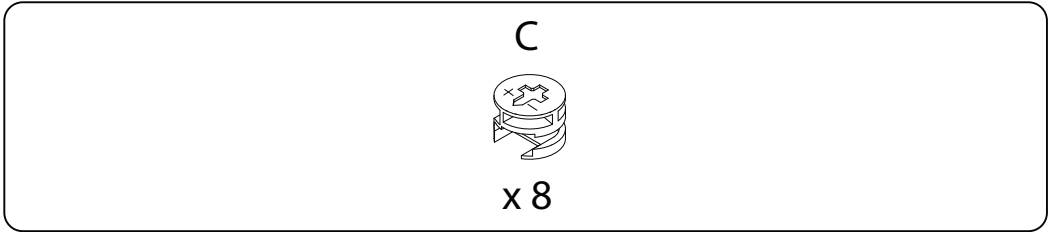
2



3



4

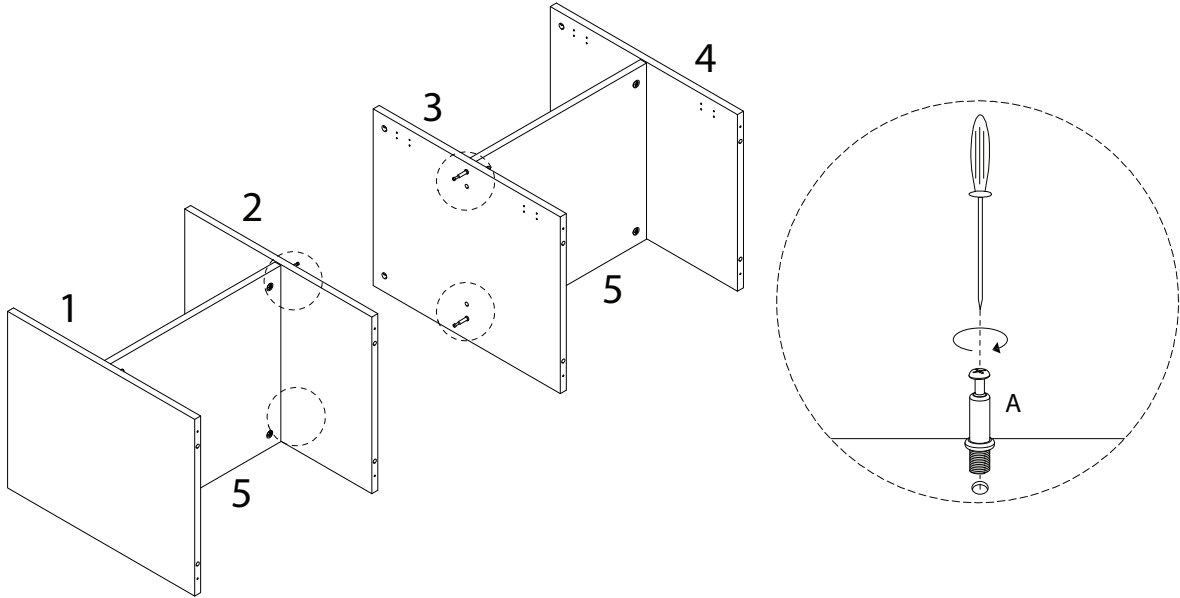


5

A

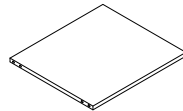


x 4

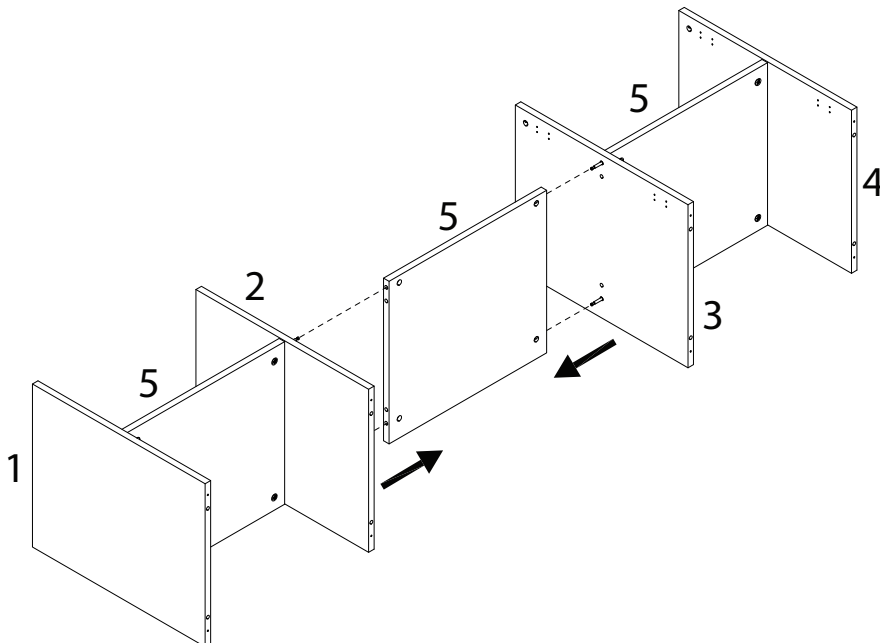


6

5



x 1



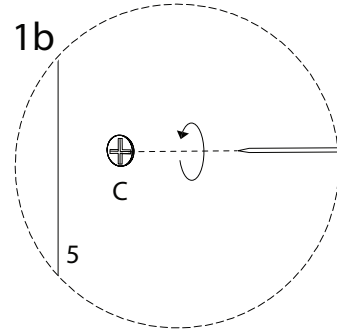
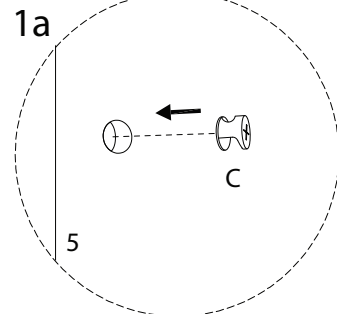
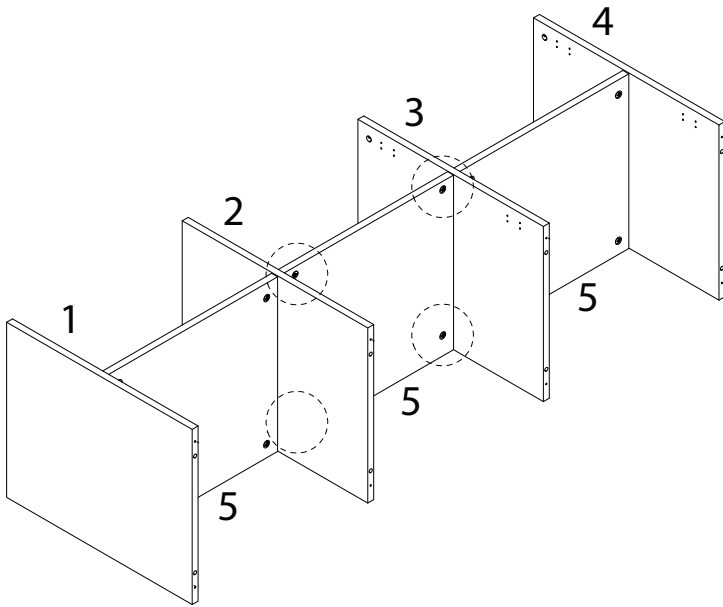


7

C



x 4

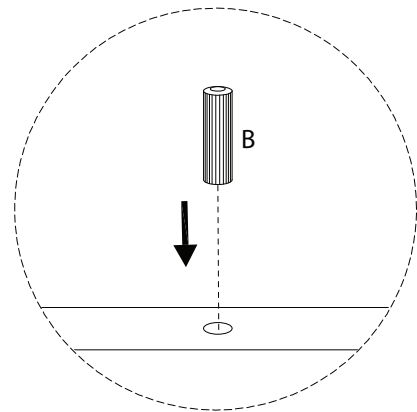
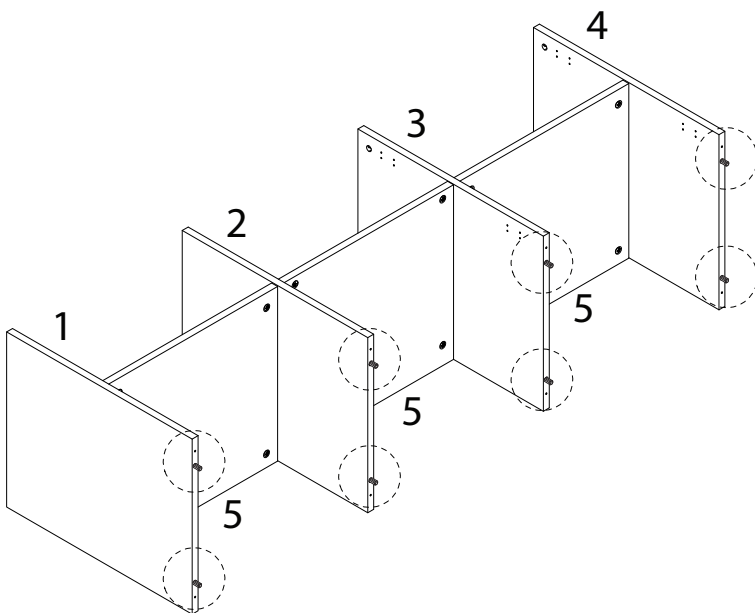


8

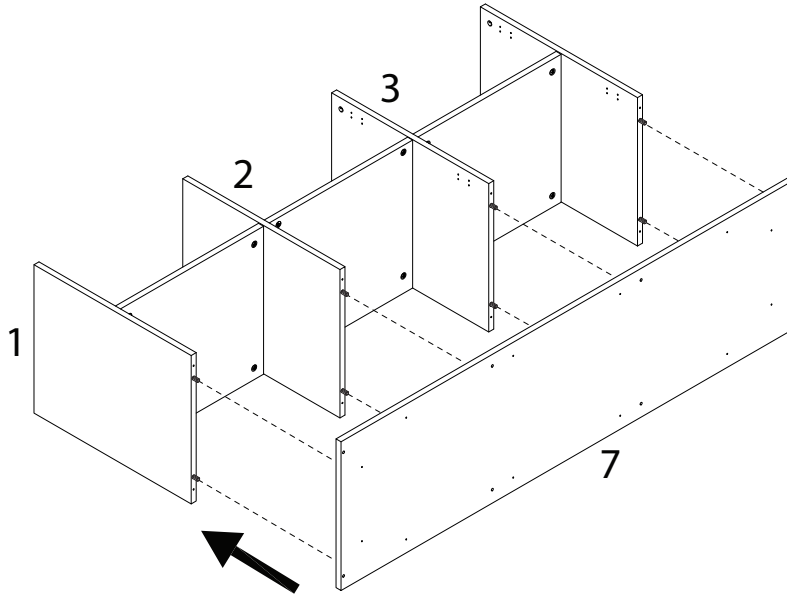
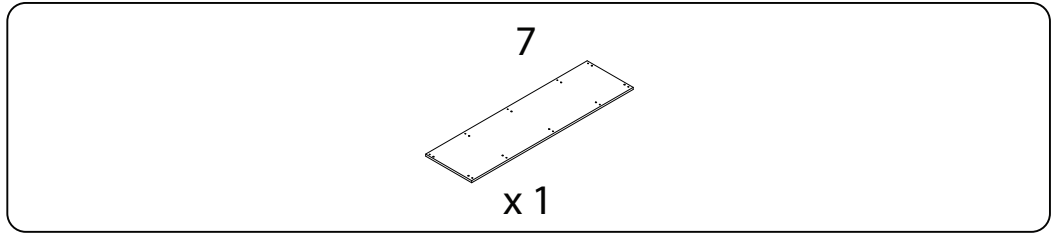
B



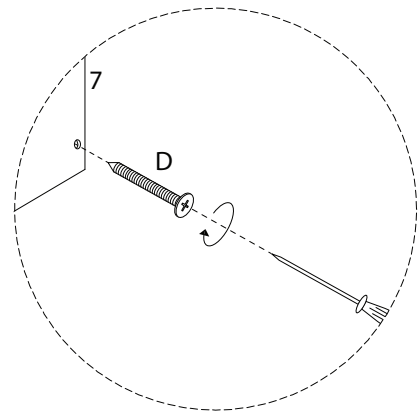
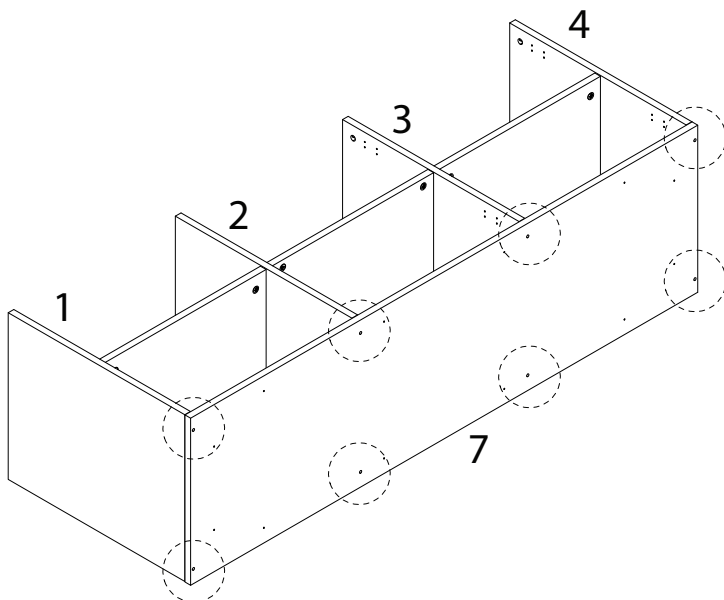
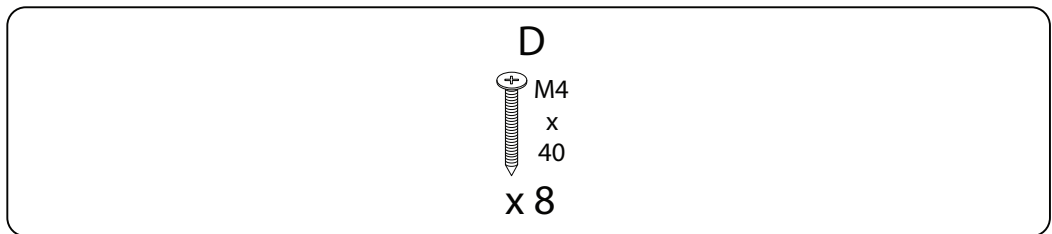
x 8



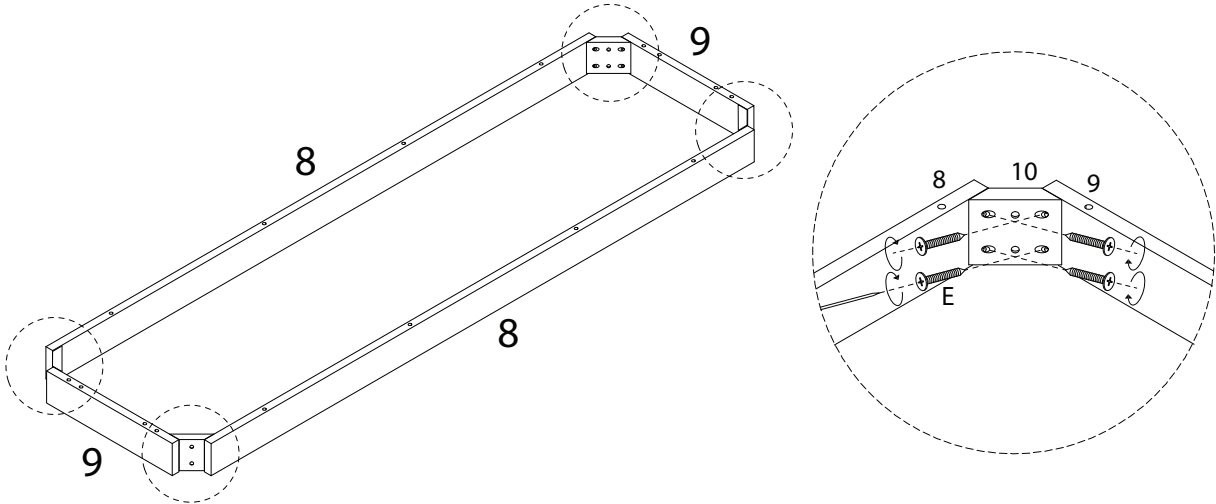
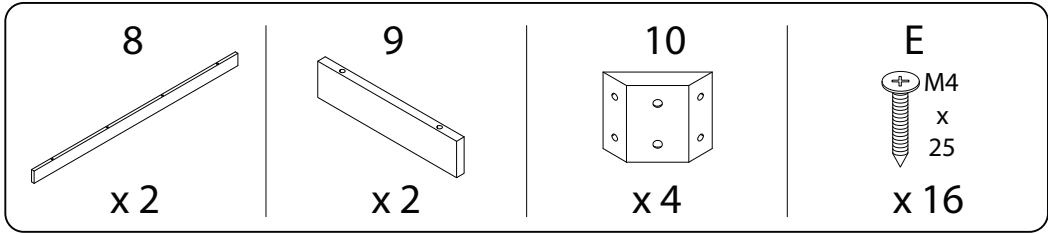
9



10

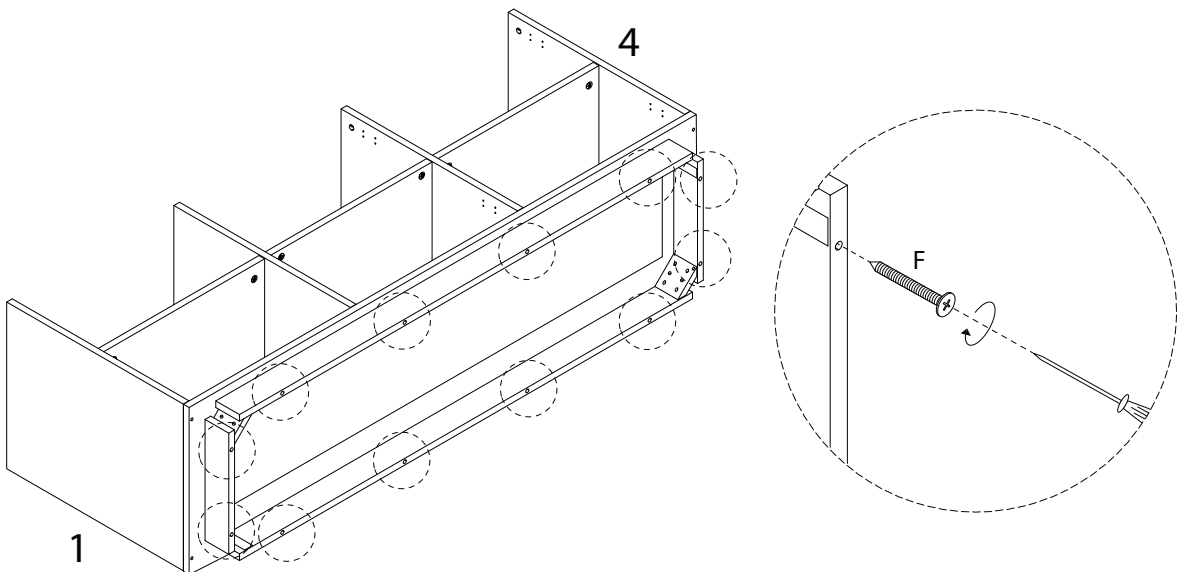


11

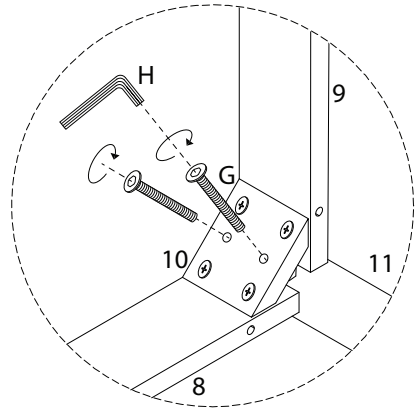
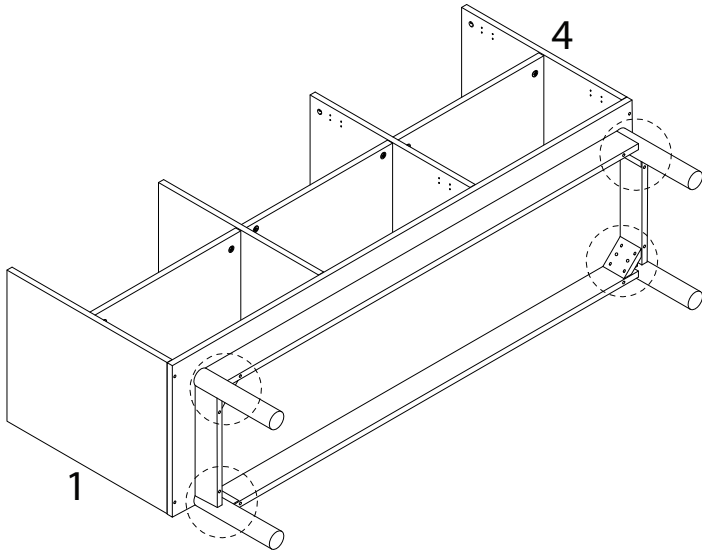
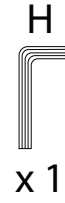
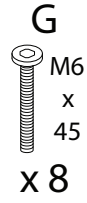
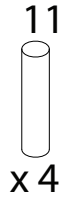


12

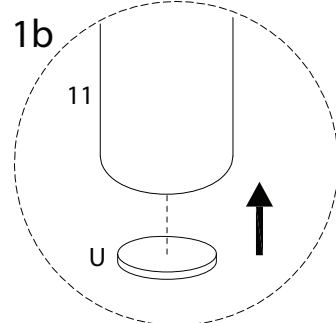
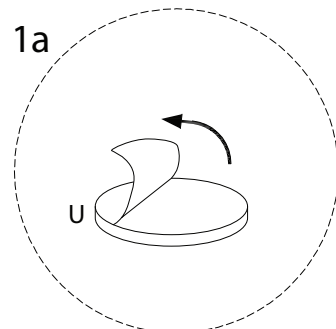
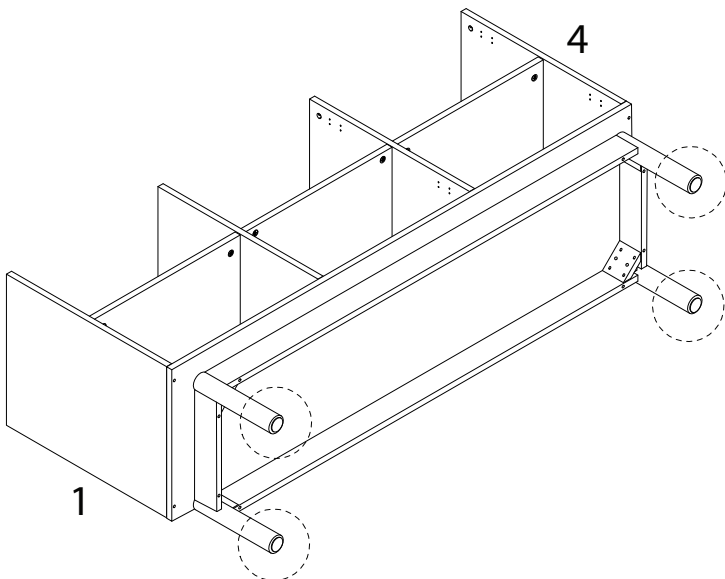
F  
M4  
x 50  
x 12



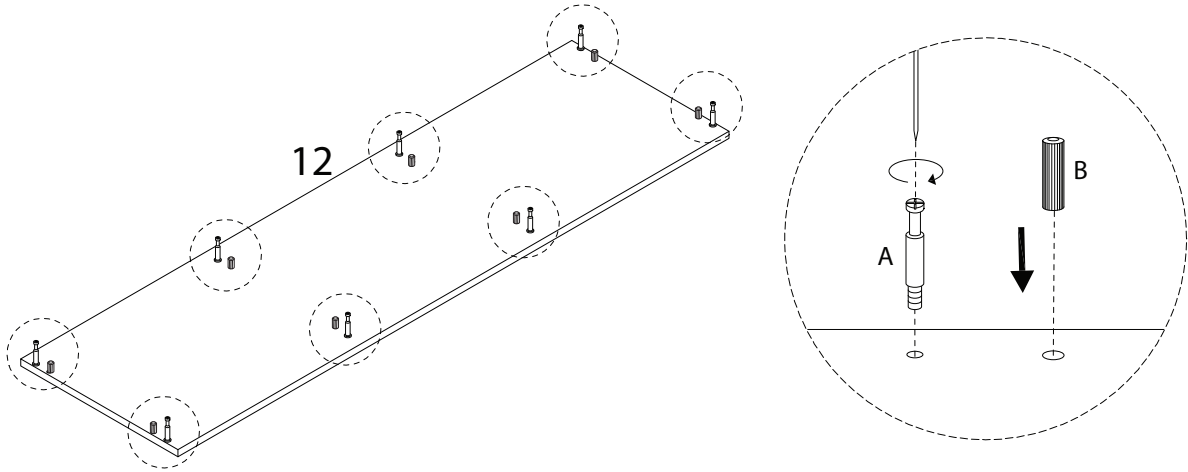
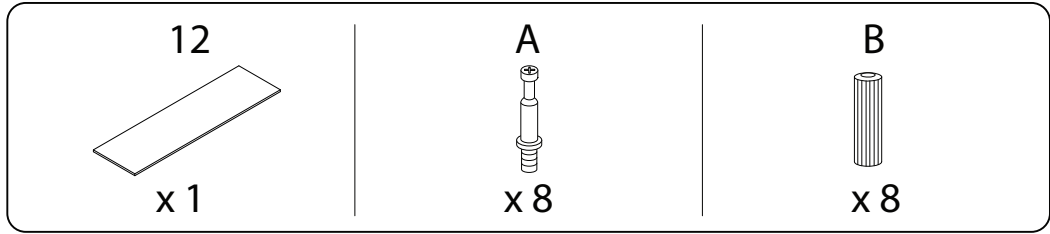
13



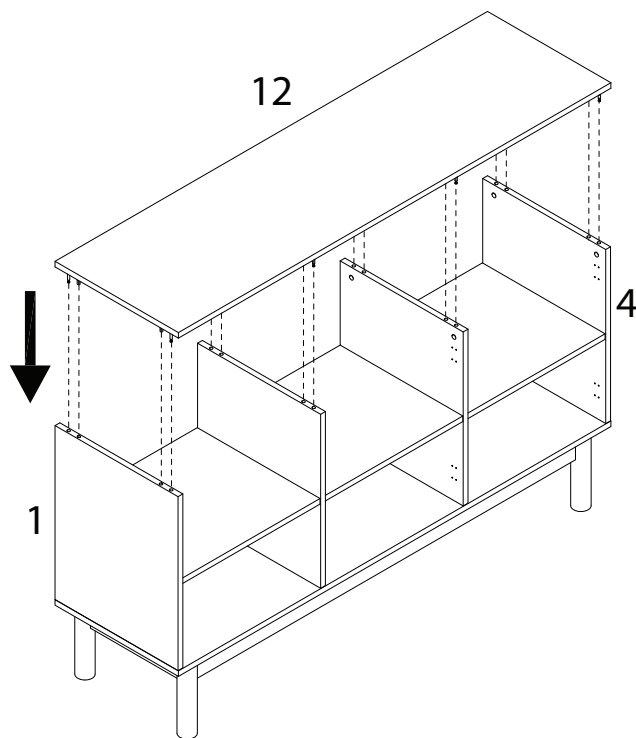
14



15

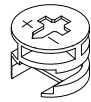


16

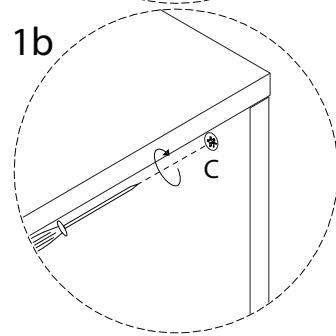
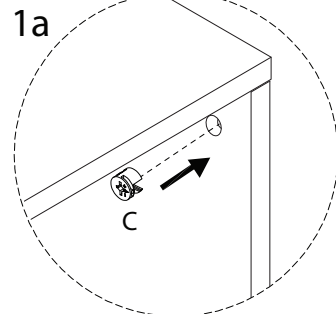
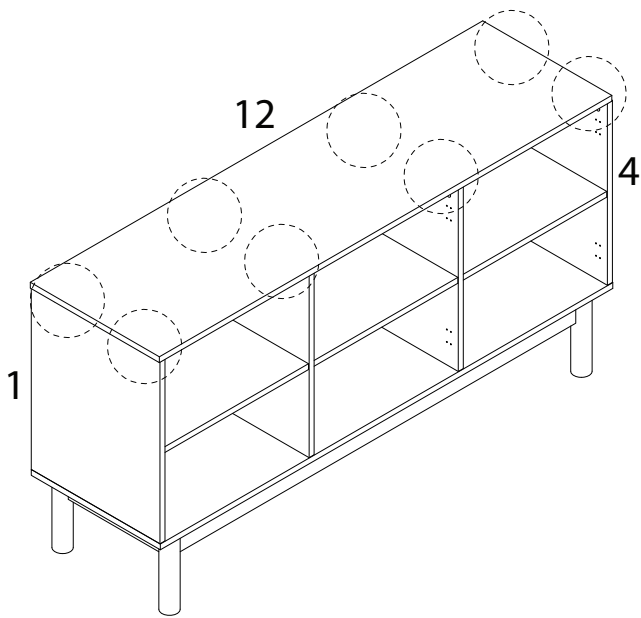


17

C



x 8



18

13

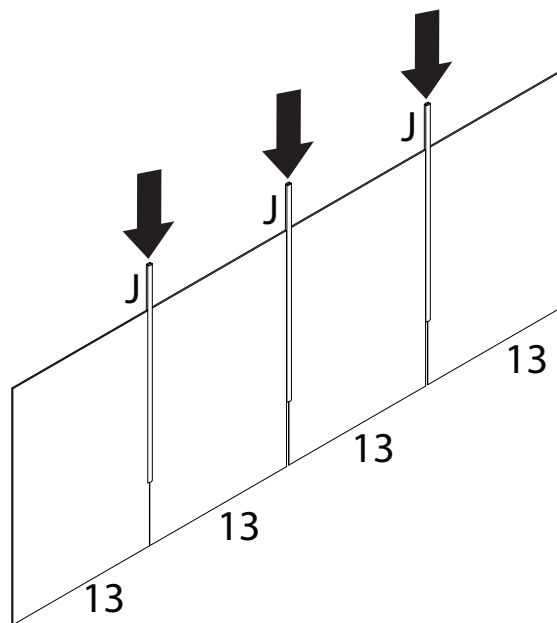


x 4

J



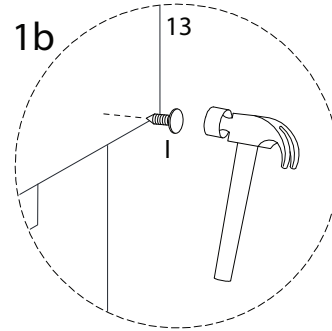
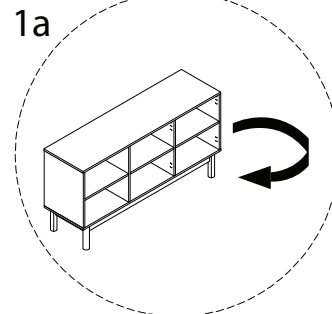
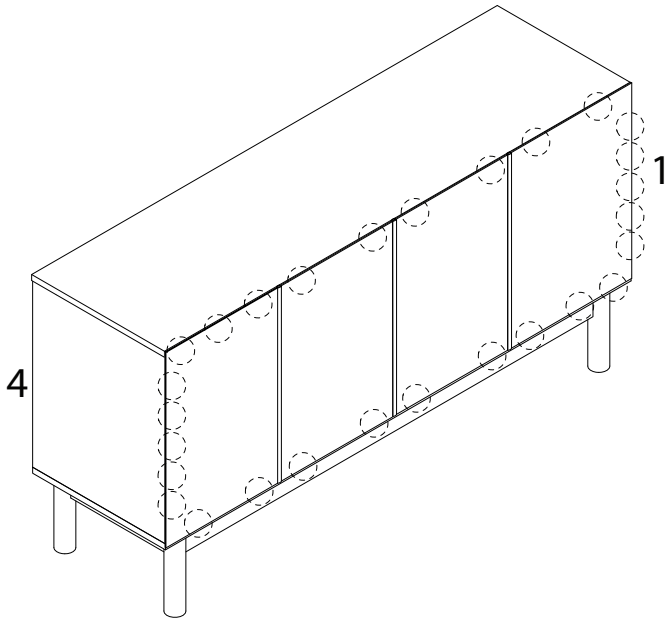
x 3



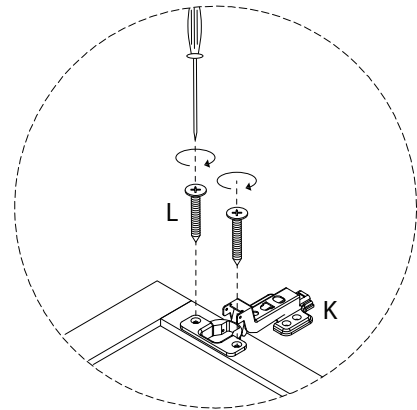
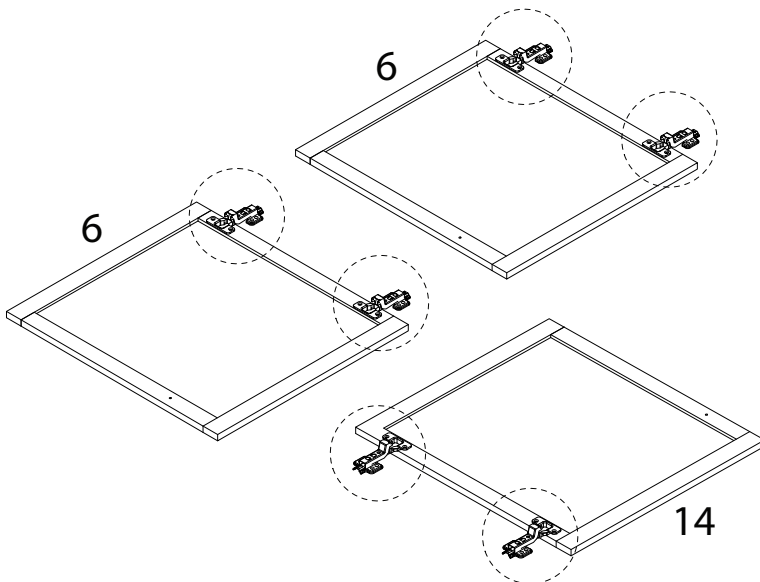
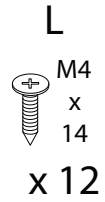
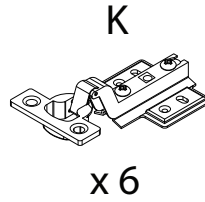
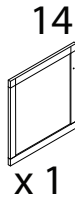
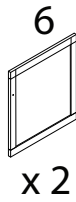
19



x 28

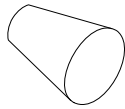


20



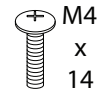
21

M

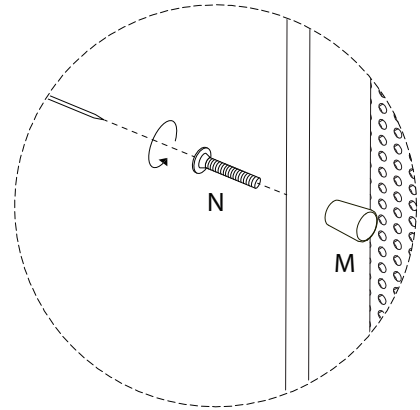
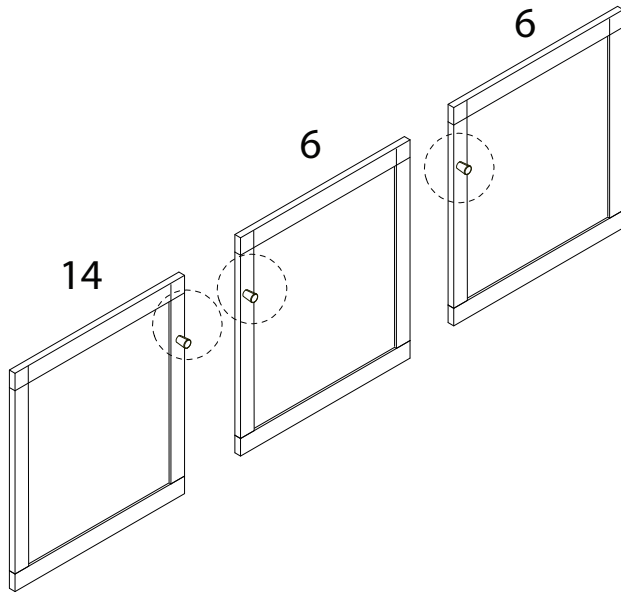


x 3

N



x 3

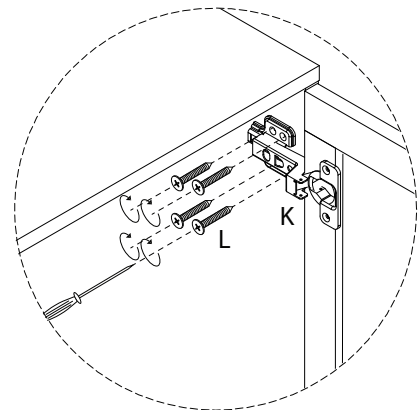
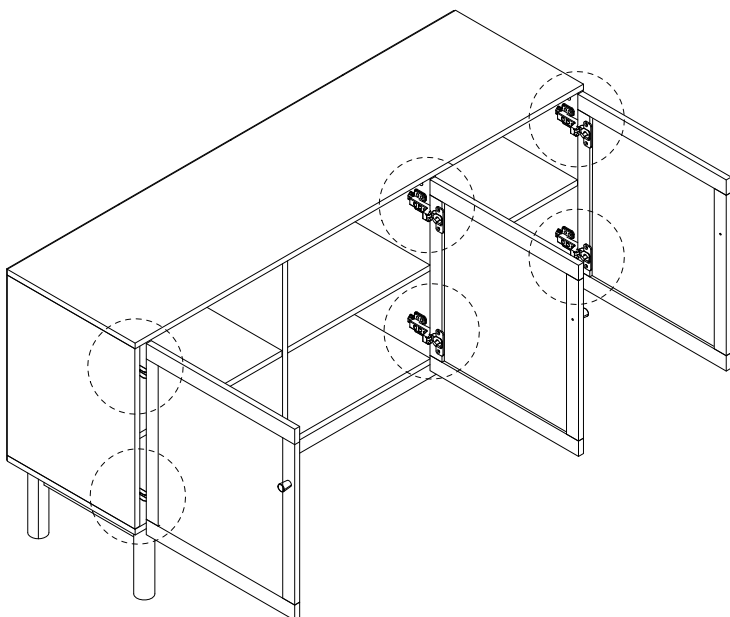


22

L




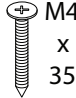



x 24





15

<b>O</b>  M4 x 12 x 2	<b>P</b>  x 2	<b>Q</b>  x 2	<b>R</b>  M4 x 35 x 2	<b>S</b>  x 2
---	--	--	---	--

