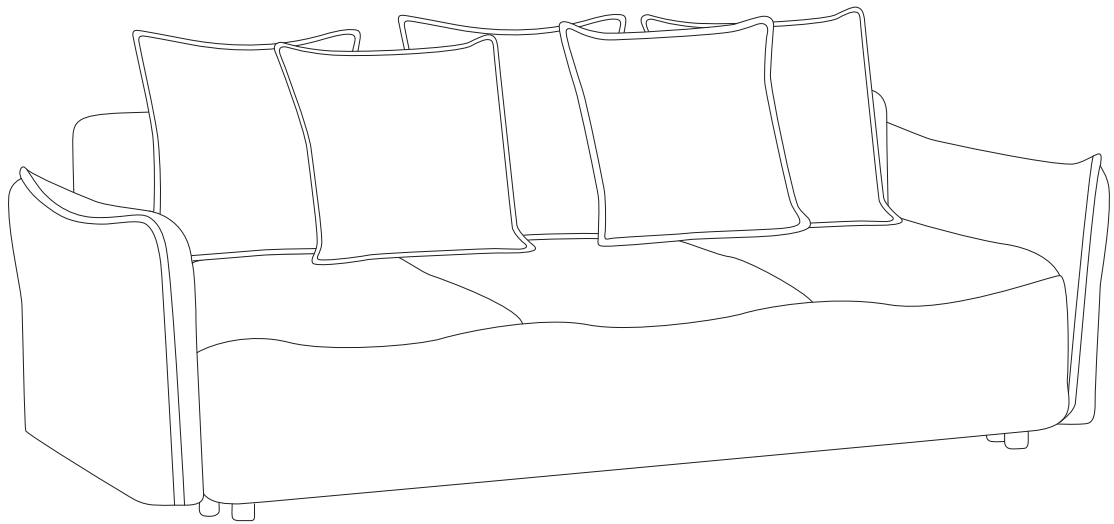
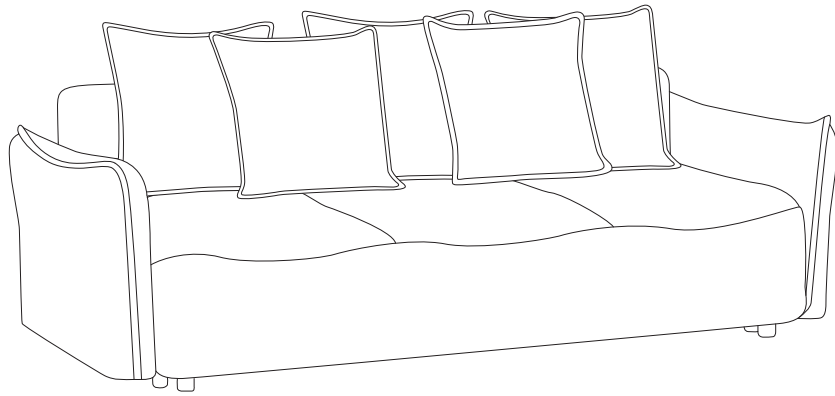
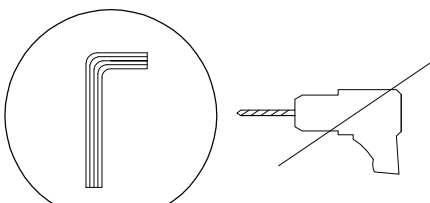

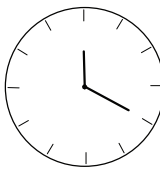
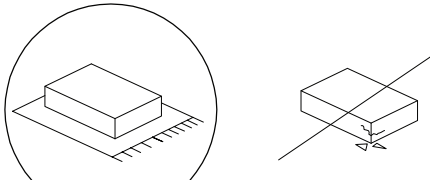


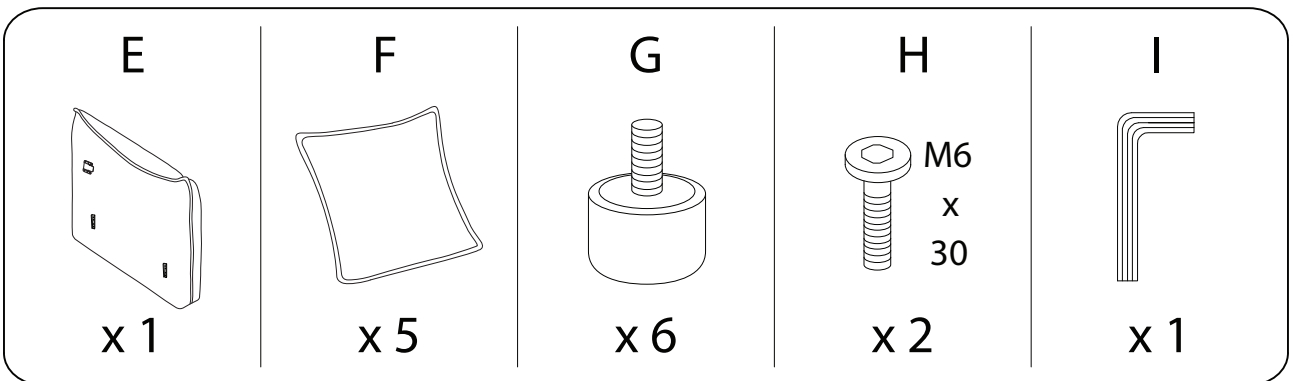
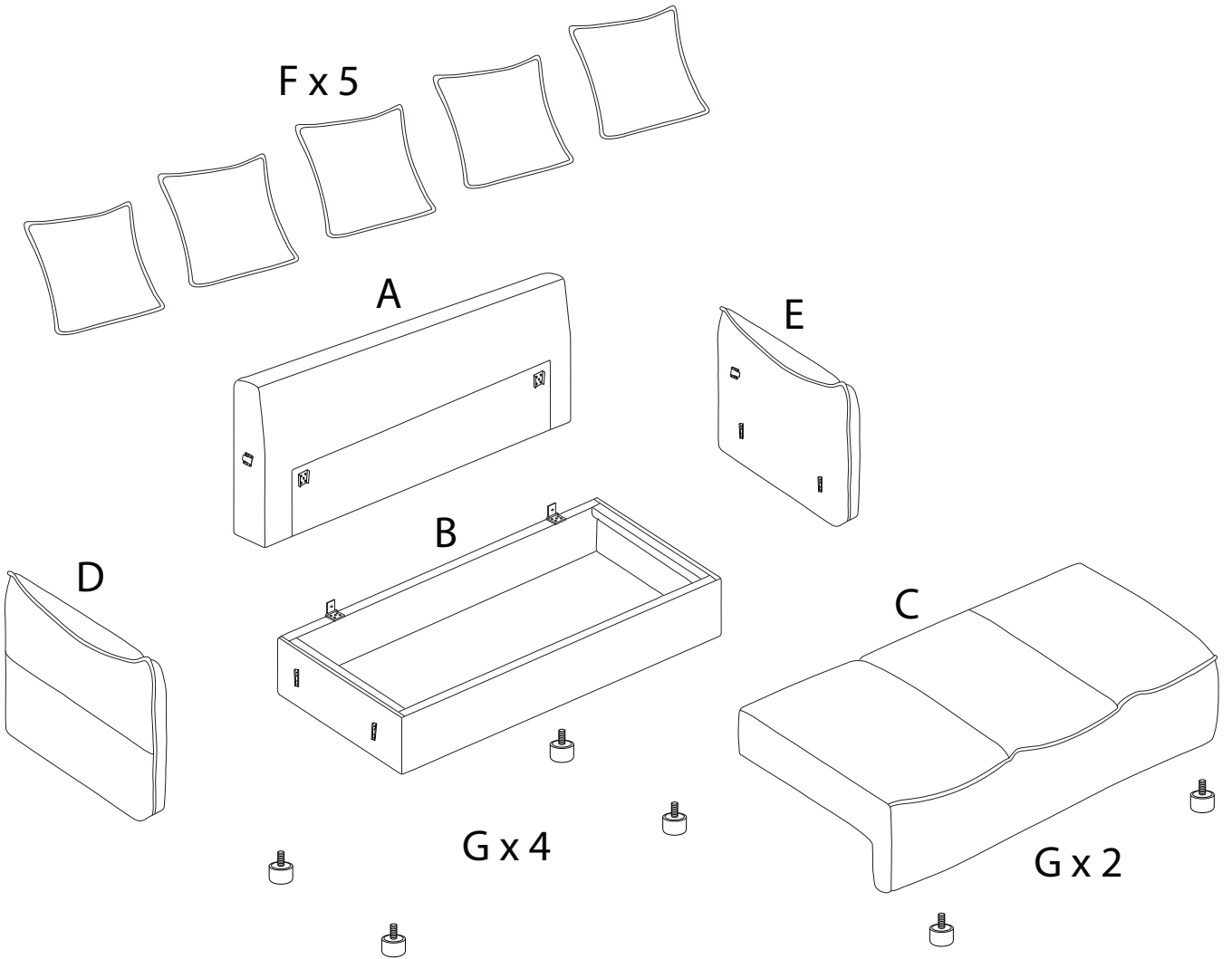
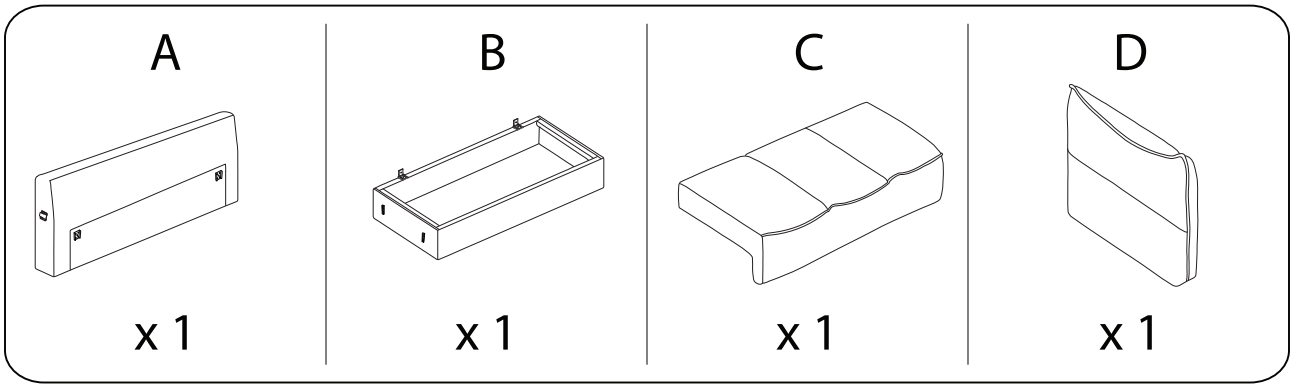


KRAMA



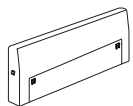


		
		20'
		
		2



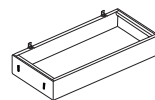
1

A

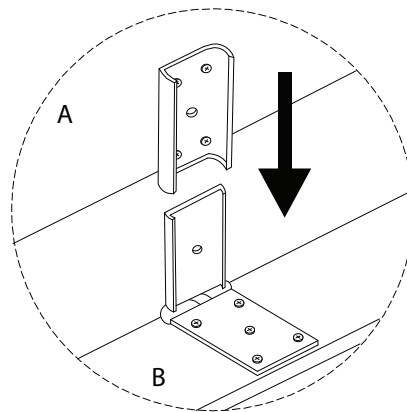
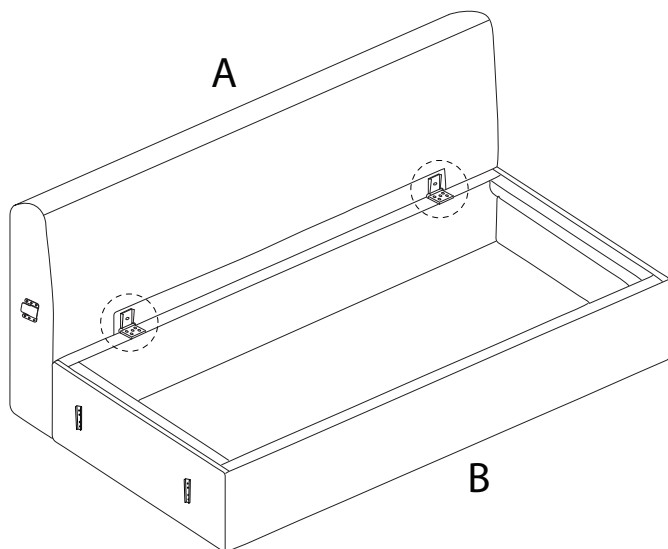


x 1

B



x 1



2

H

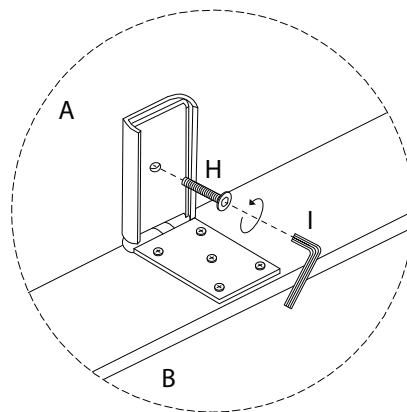
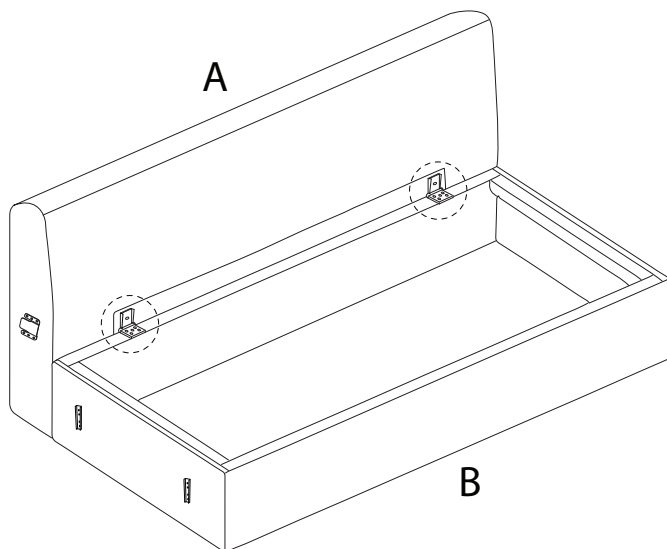


x 2

I

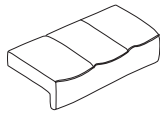


x 1



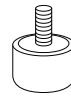
3

C



x 1

G

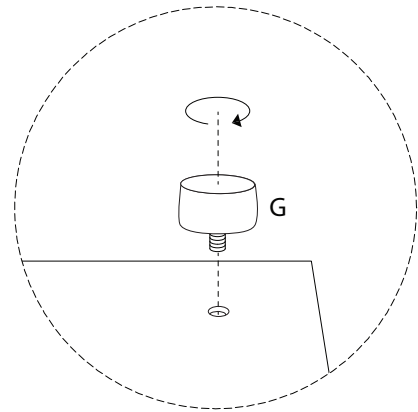
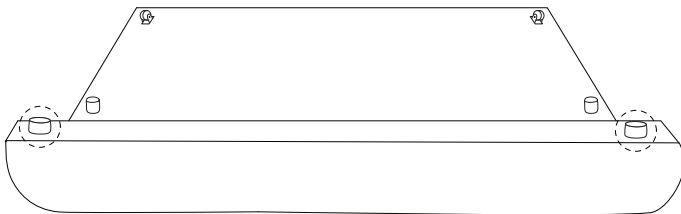


x 6

B

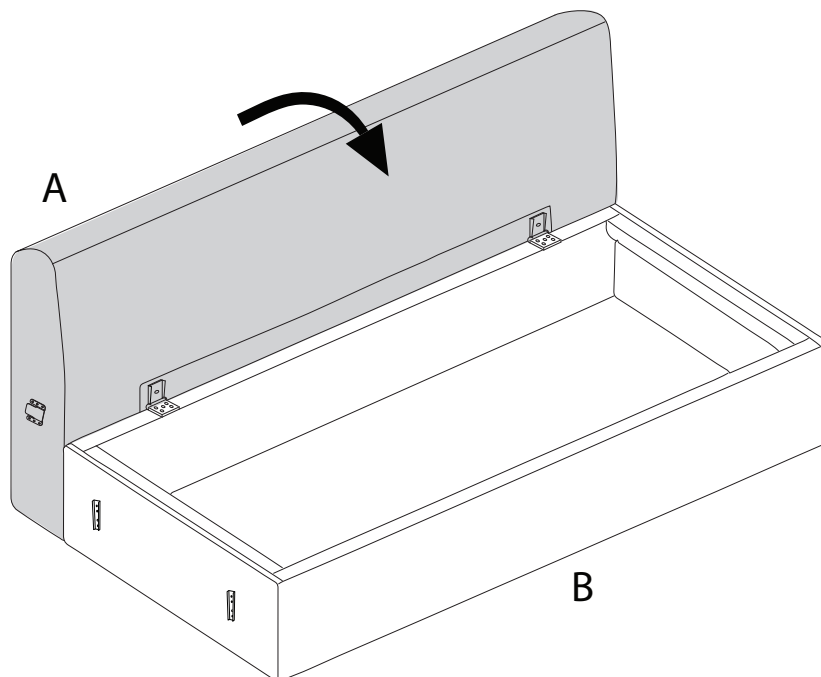


C



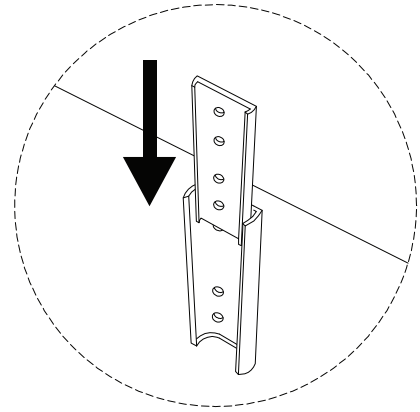
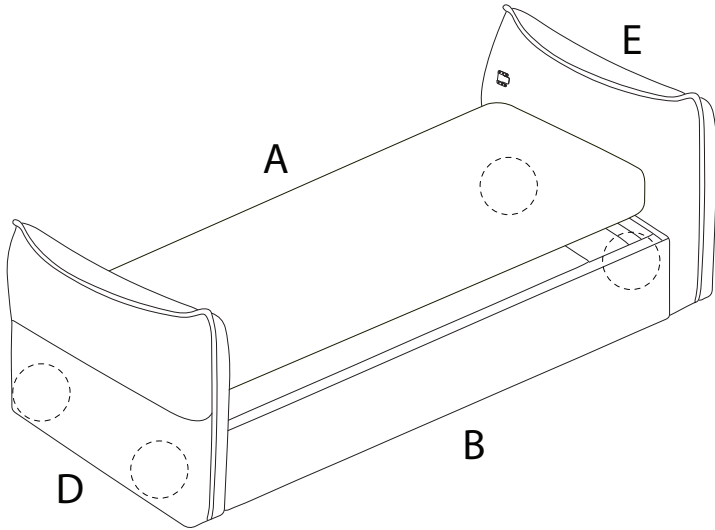
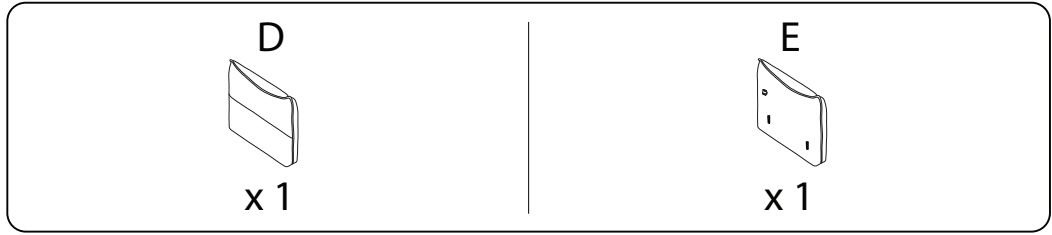
4

A

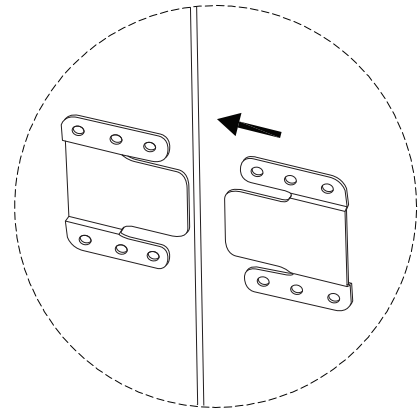
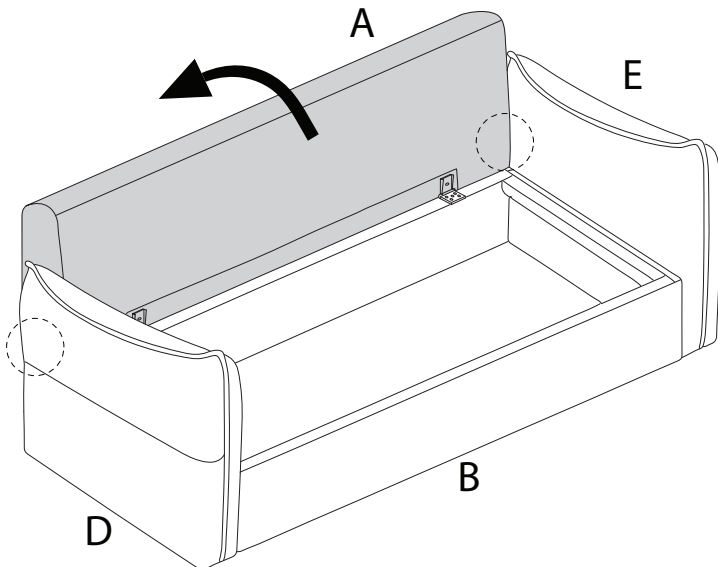


B

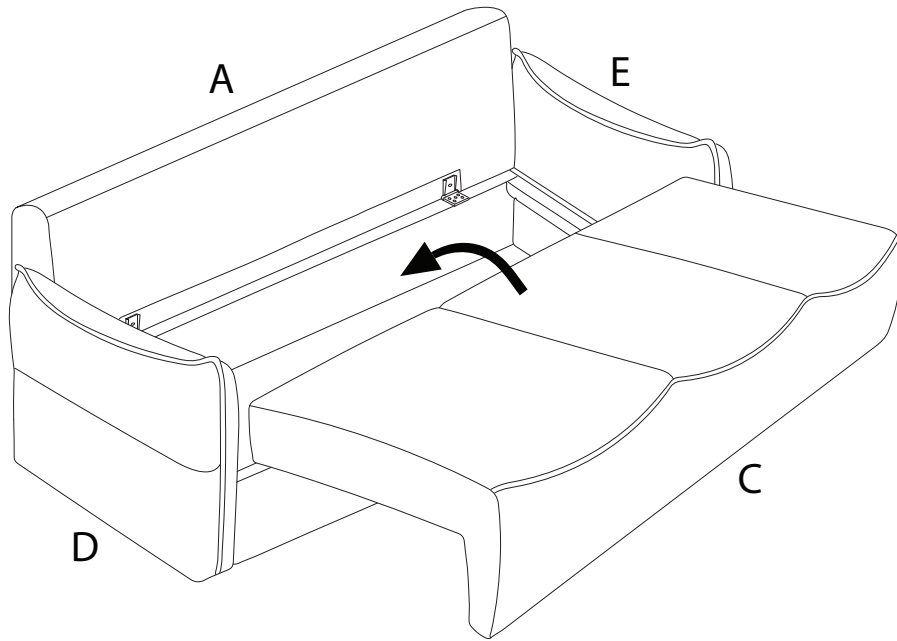
4



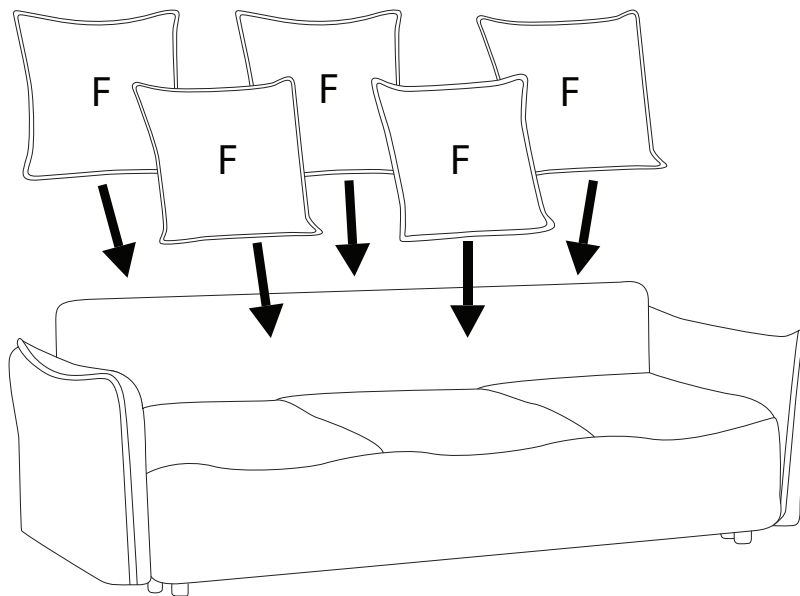
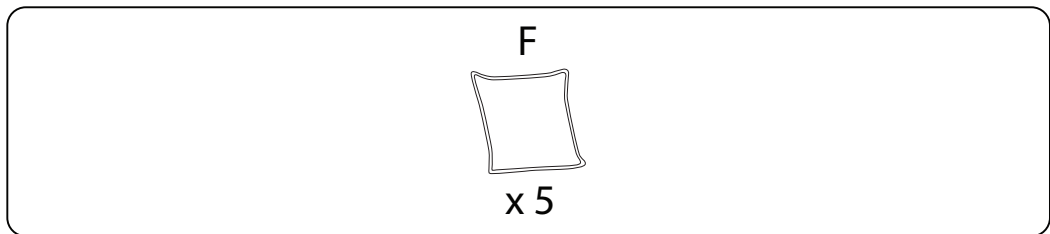
6



7



8



!

