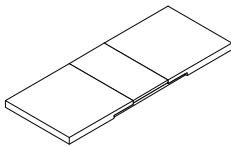
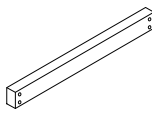
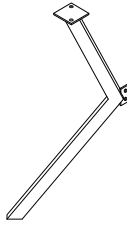
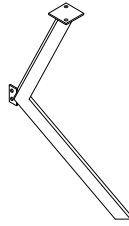

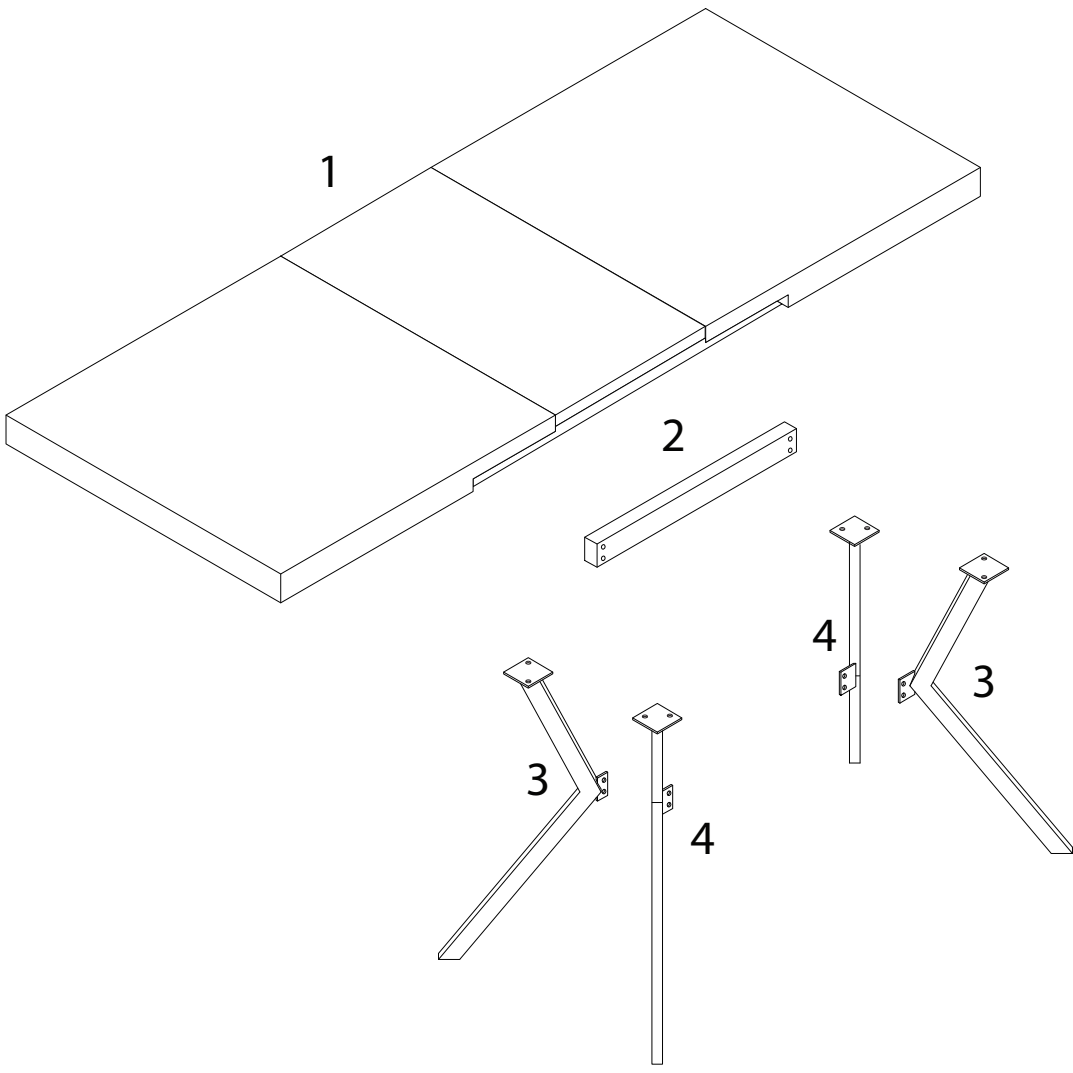


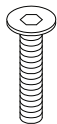
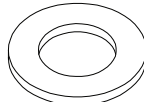

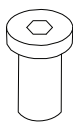
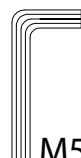
Diagram illustrating assembly steps and safety warnings:

- Step 1:** Shows an L-shaped metal bracket being attached to the underside of the table top. A power drill is shown with a diagonal line through it, indicating that a power drill should not be used for this step. A warning triangle with an exclamation mark is present.
- Step 2:** Shows a rectangular metal plate being attached to the underside of the table top. A power drill is shown with a diagonal line through it, indicating that a power drill should not be used for this step. A warning triangle with an exclamation mark is present.
- Time:** A clock icon indicates a 20-minute assembly time.
- Personnel:** An icon of a person indicates that 2 people are required for assembly.

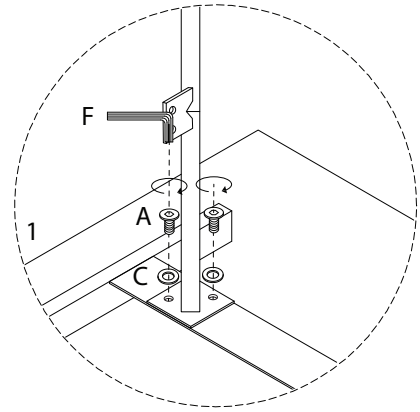
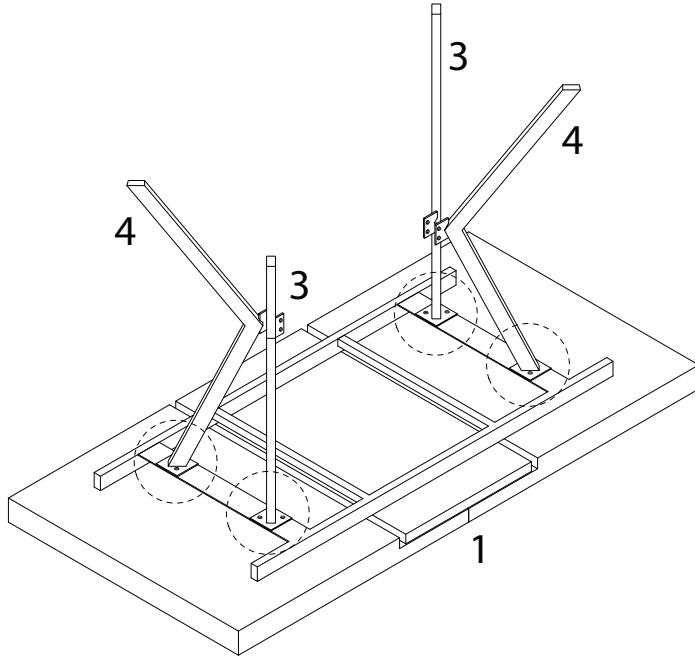
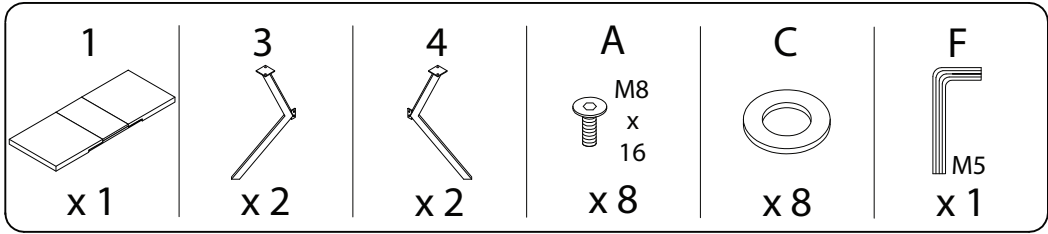
1/4

1  x 1	2  x 1	3  x 2	4  x 2	A  M8 x 16 x 8
---	---	---	--	---

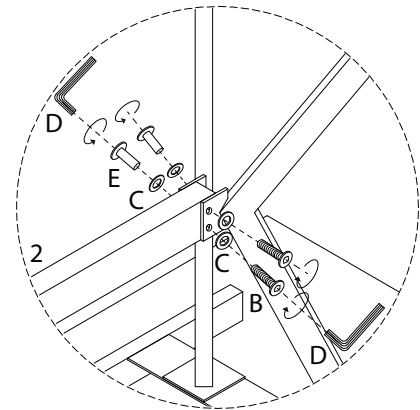
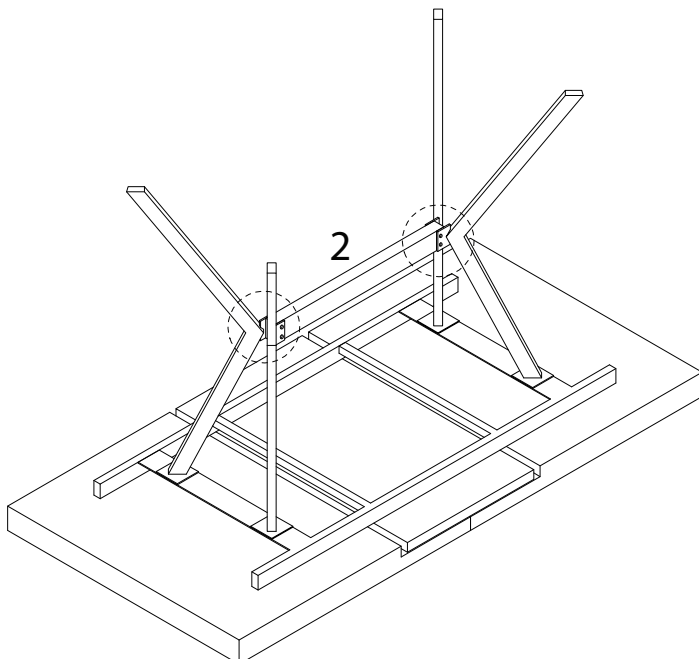
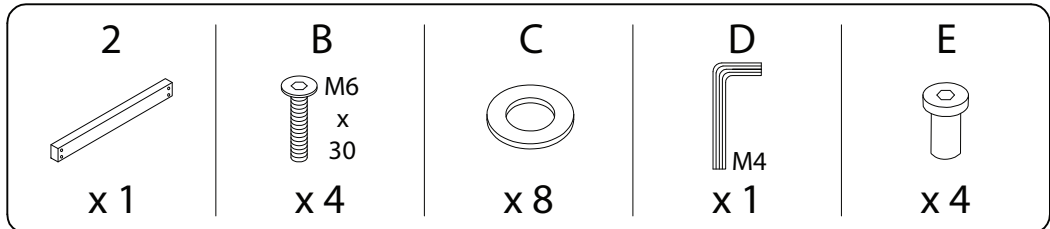


B  M6 x 30 x 4	C  x 16	D  M4 x 1	E  x 4	F  M5 x 1
---	--	--	---	--

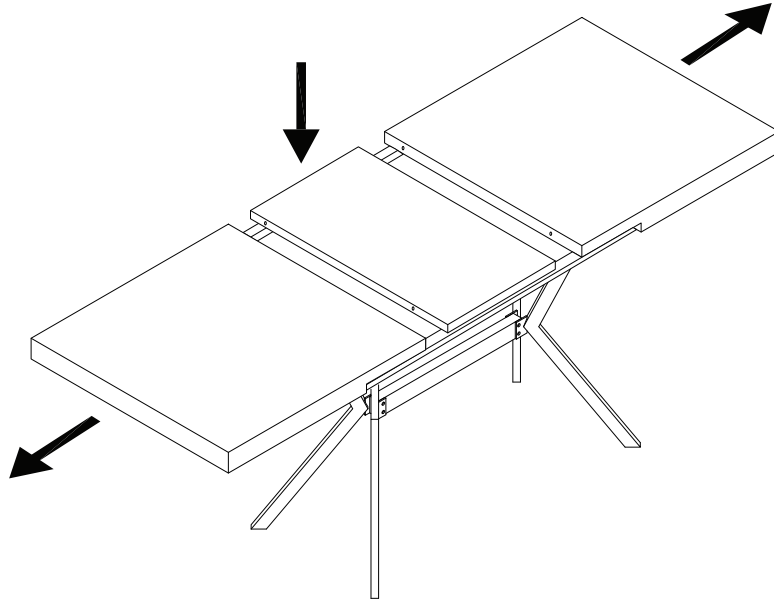
1



2



!



!

