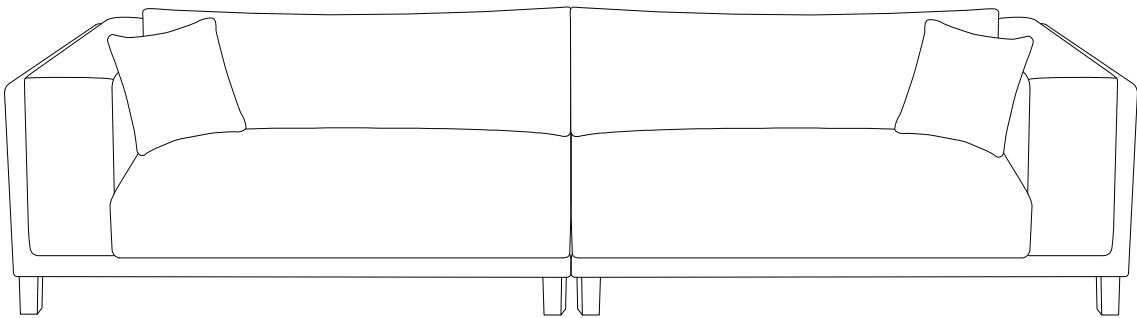


# VENG



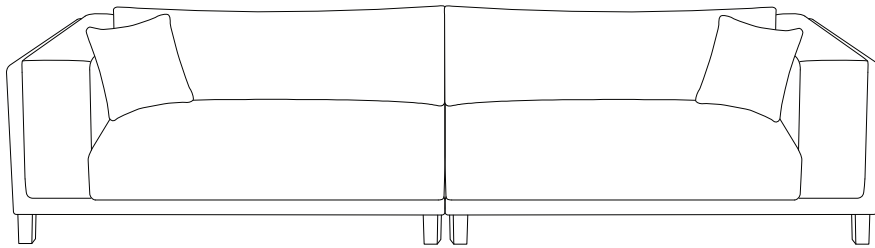
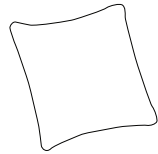
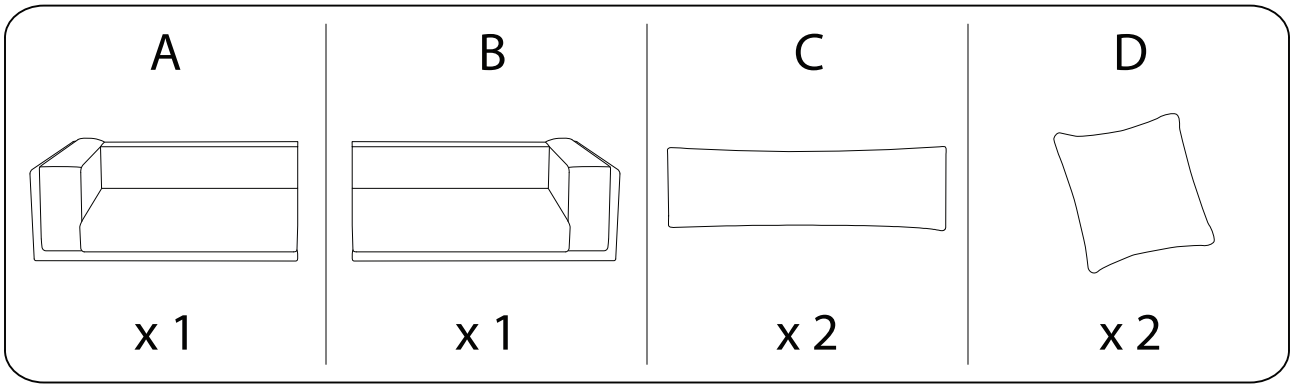
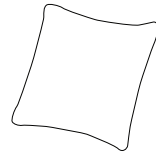


Diagram illustrating assembly instructions and safety warnings:

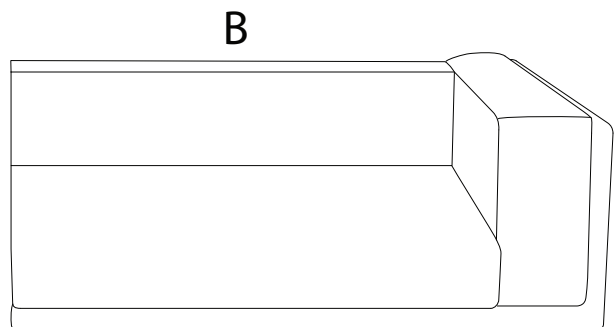
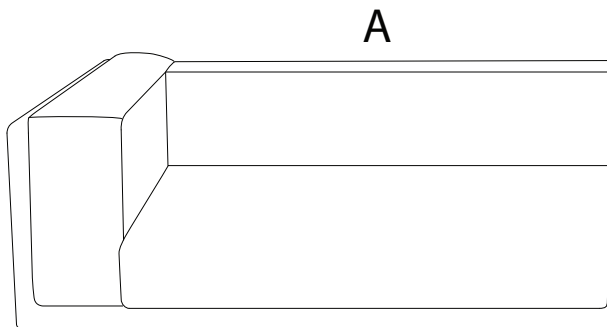
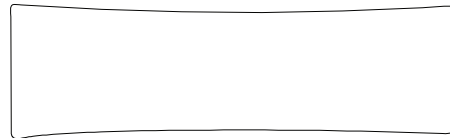
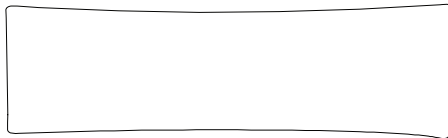
- Warning 1:** A warning triangle with an exclamation mark is positioned above a box containing an L-shaped bracket and a crossed-out power drill, indicating that a power drill should not be used for this step.
- Warning 2:** A second warning triangle with an exclamation mark is positioned above a box containing a rectangular block being placed on a surface and a crossed-out block being placed on a surface with a screw, indicating that screws should not be used to secure the block to the surface.
- Time:** A clock icon is shown next to the text "30'", indicating a 30-minute assembly time.
- Personnel:** An icon of a person is shown next to the number "2", indicating that two people are required for assembly.



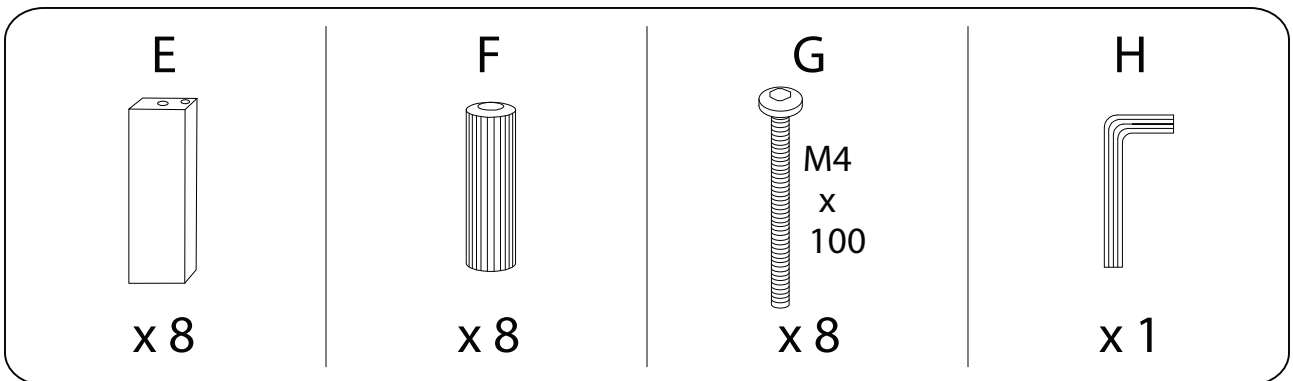
**D x 2**



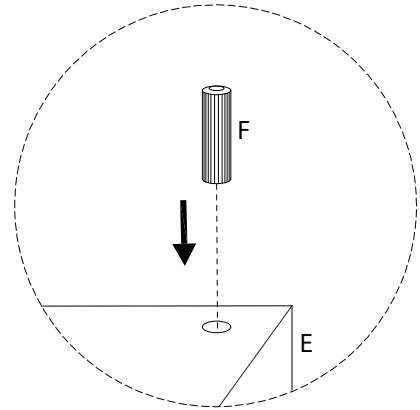
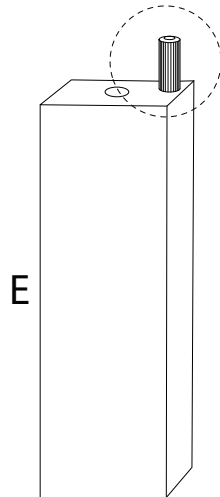
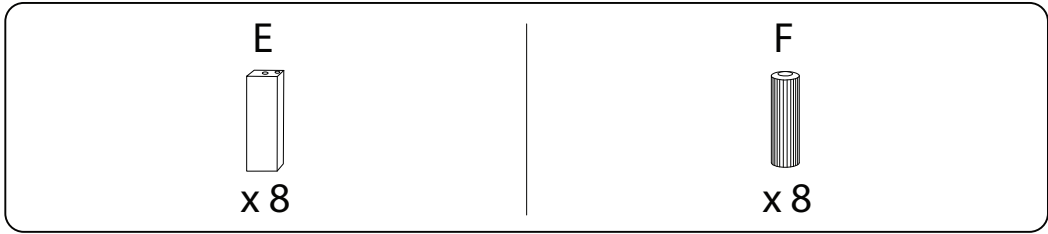
**C x 2**



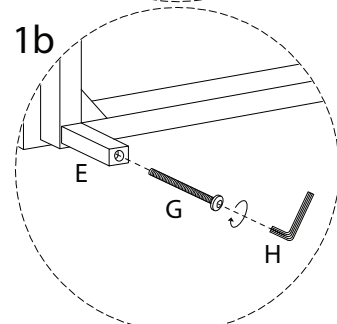
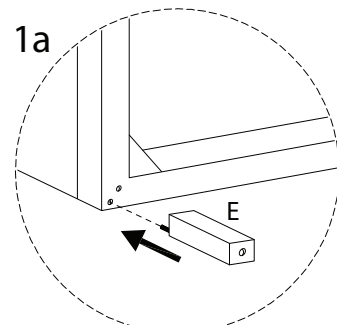
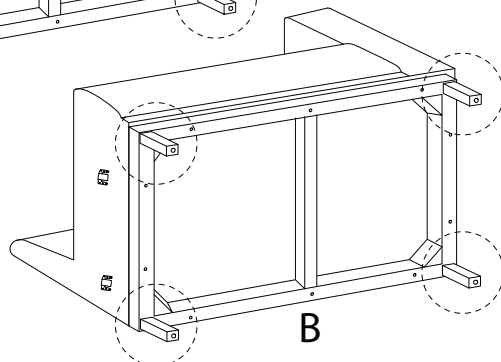
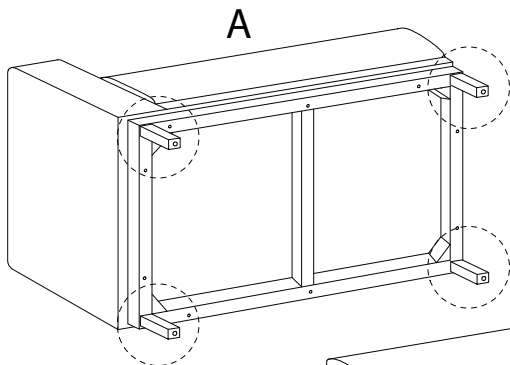
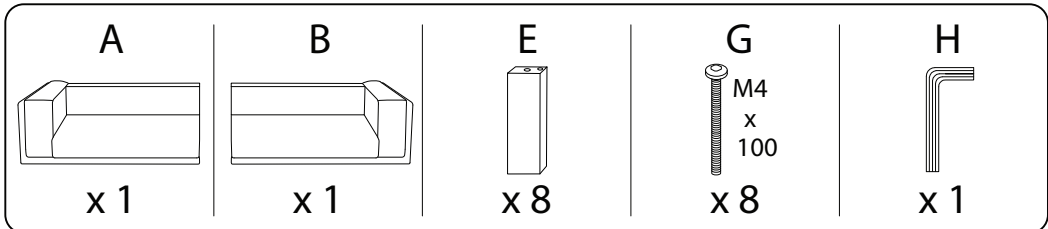
**E x 8**



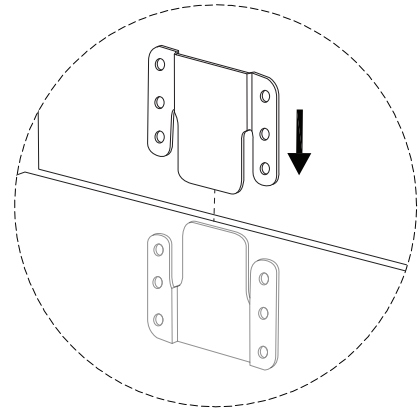
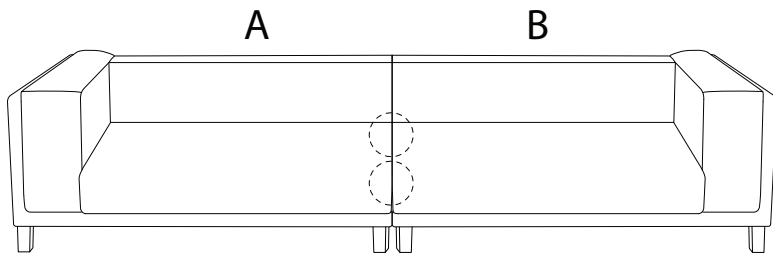
1



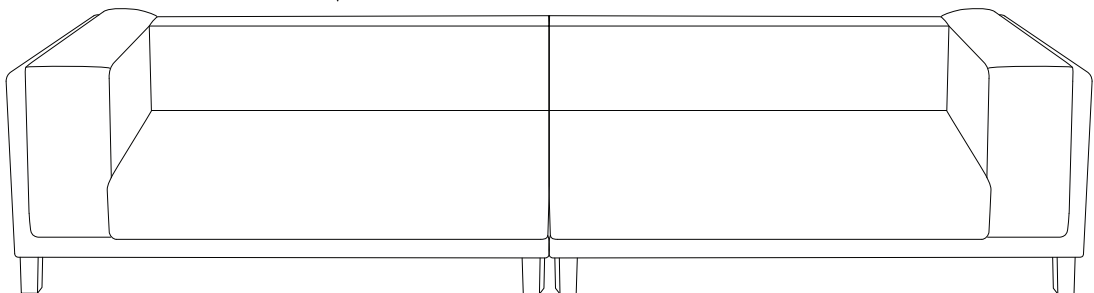
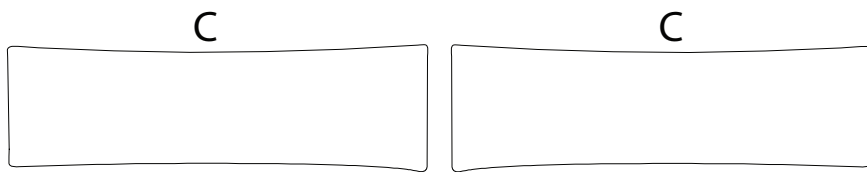
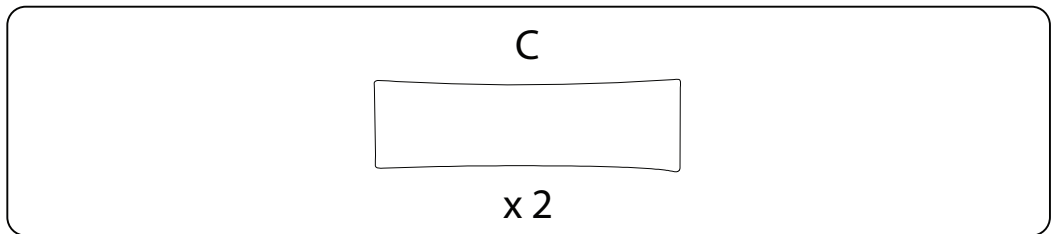
2



3



4



5

