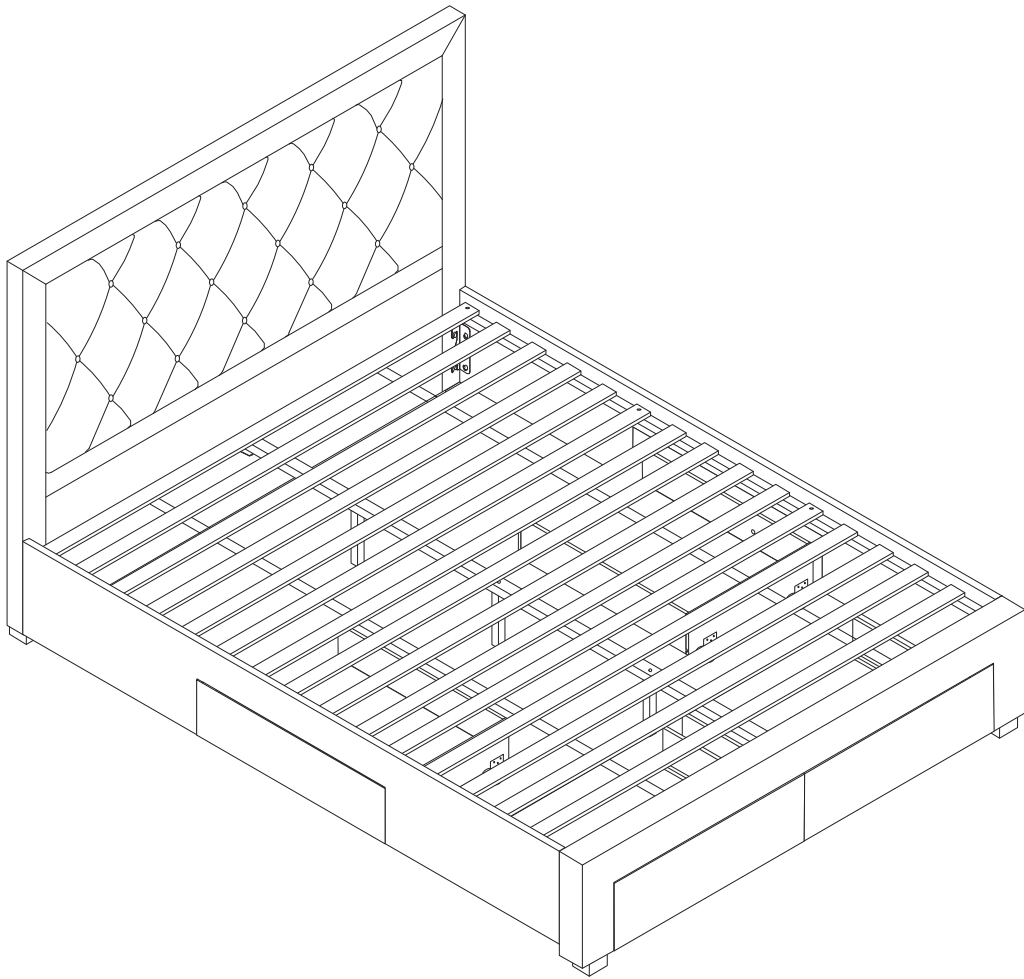
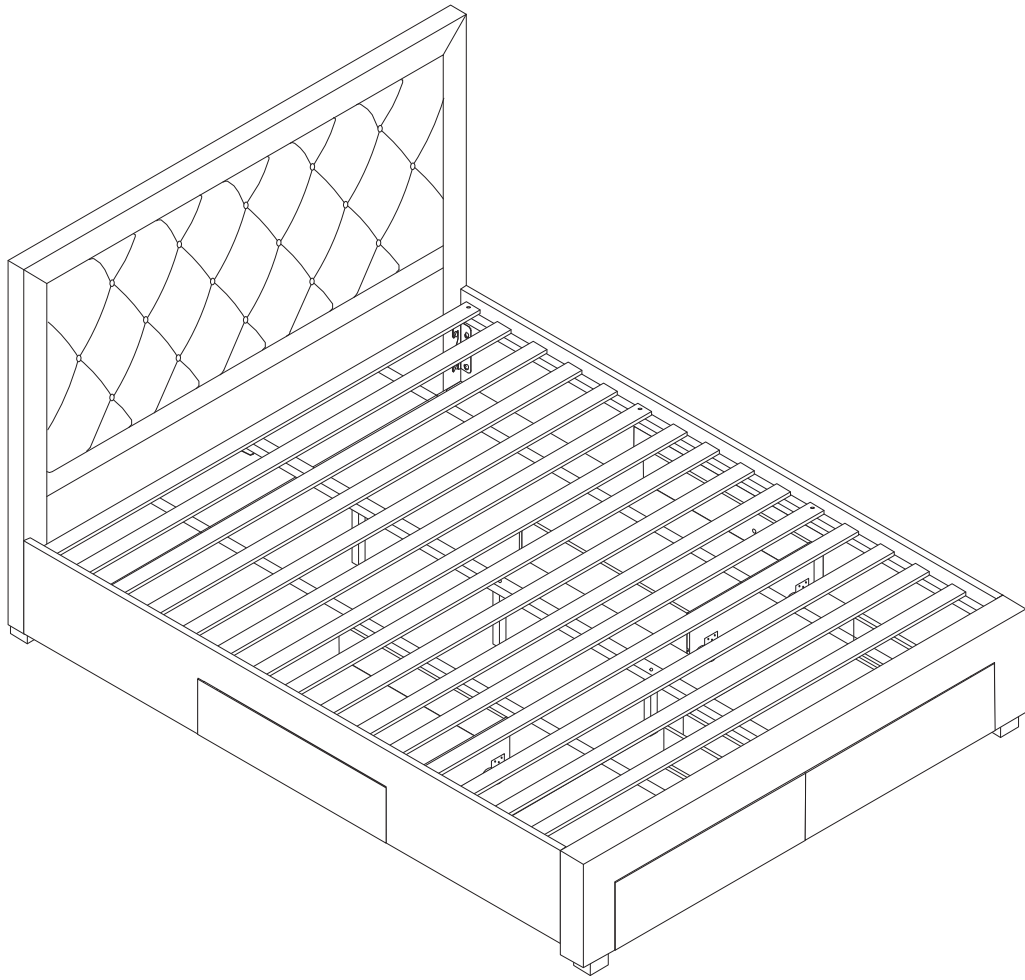
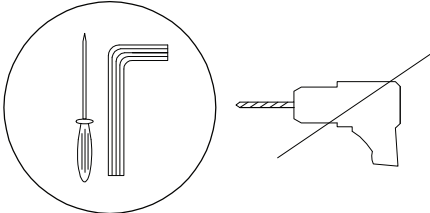

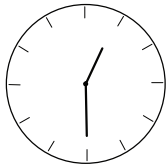
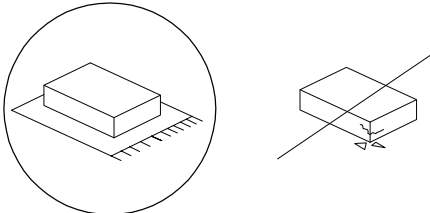


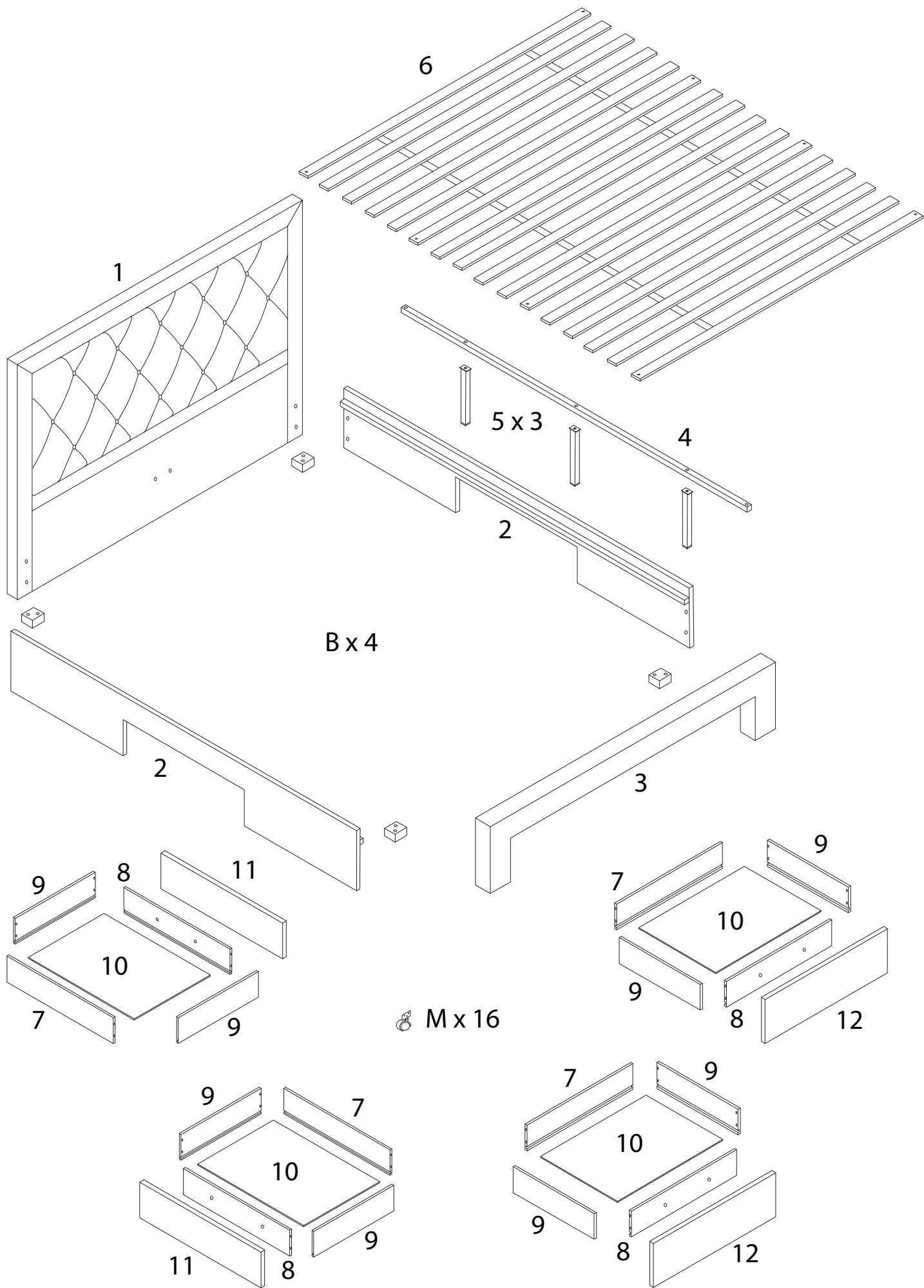


LIEVIN

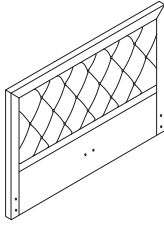




		
		<p>90'</p>
		
		<p>2</p>

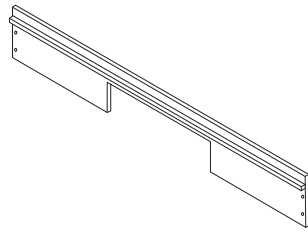


1



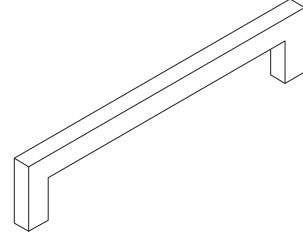
x 1

2



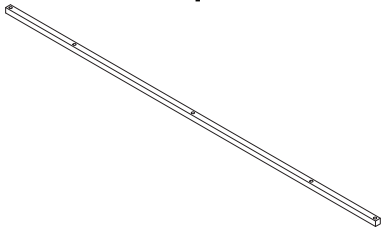
x 2

3



x 1

4



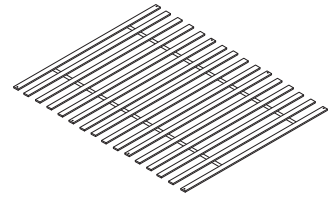
x 1

5



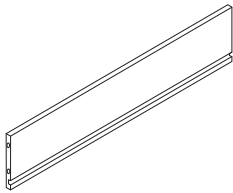
x 2

6



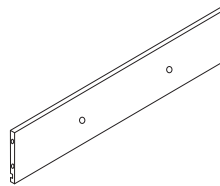
x 1

7



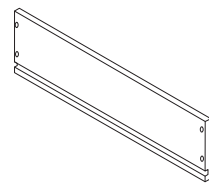
x 4

8



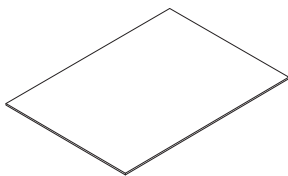
x 4

9



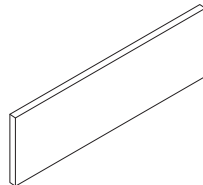
x 8

10



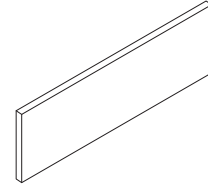
x 4

11



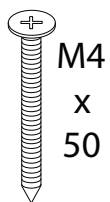
x 2

12



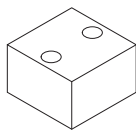
x 2

A



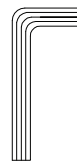
x 8

B



x 4

C



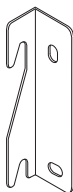
x 1

D



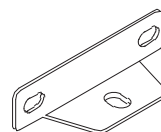
x 20

E



x 4

F



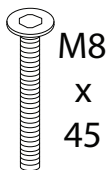
x 2

G



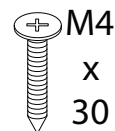
x 8

H



x 5

I



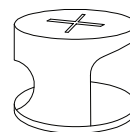
x 6

J



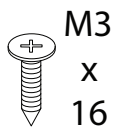
x 32

K



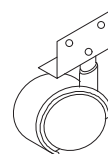
x 32

L



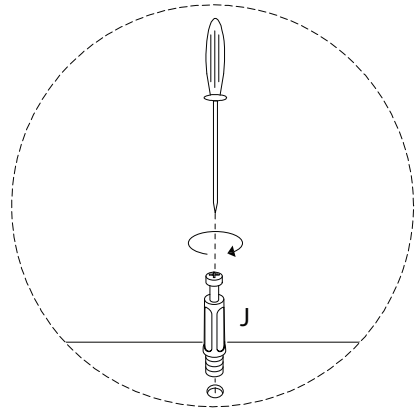
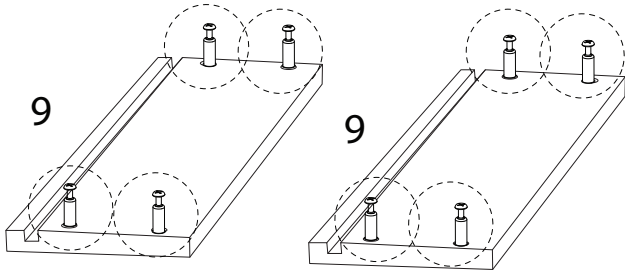
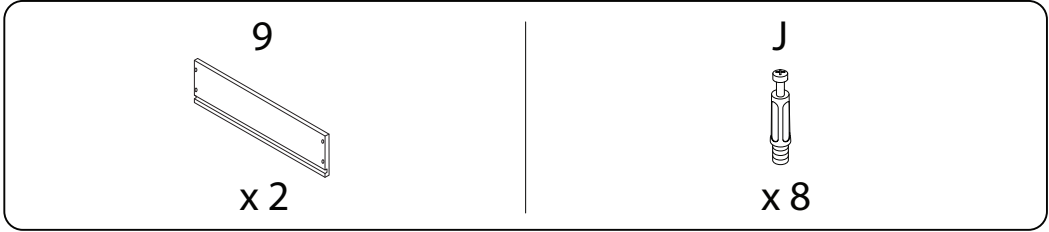
x 48

M

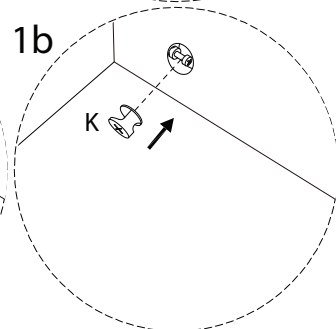
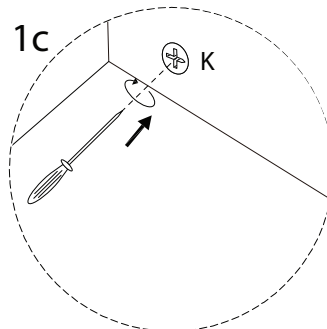
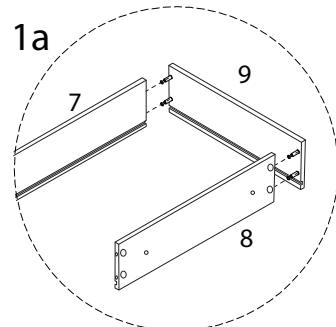
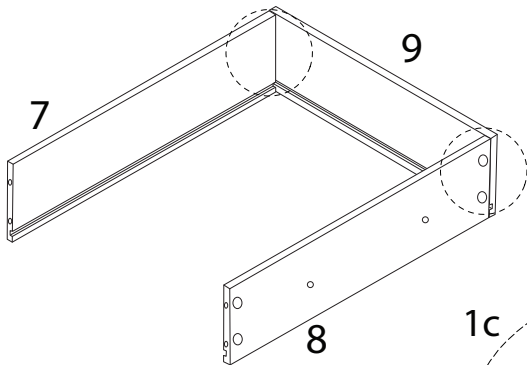
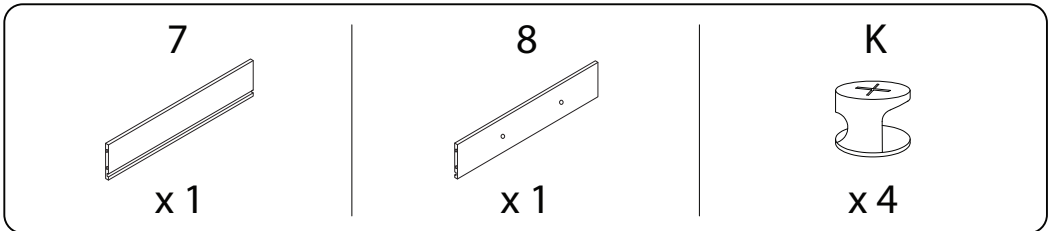


x 16

1 x 4

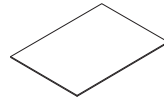


2 x 4

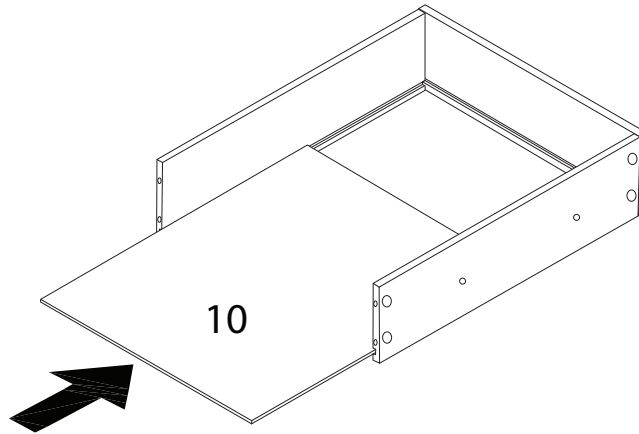


3 x 4

10



x 1

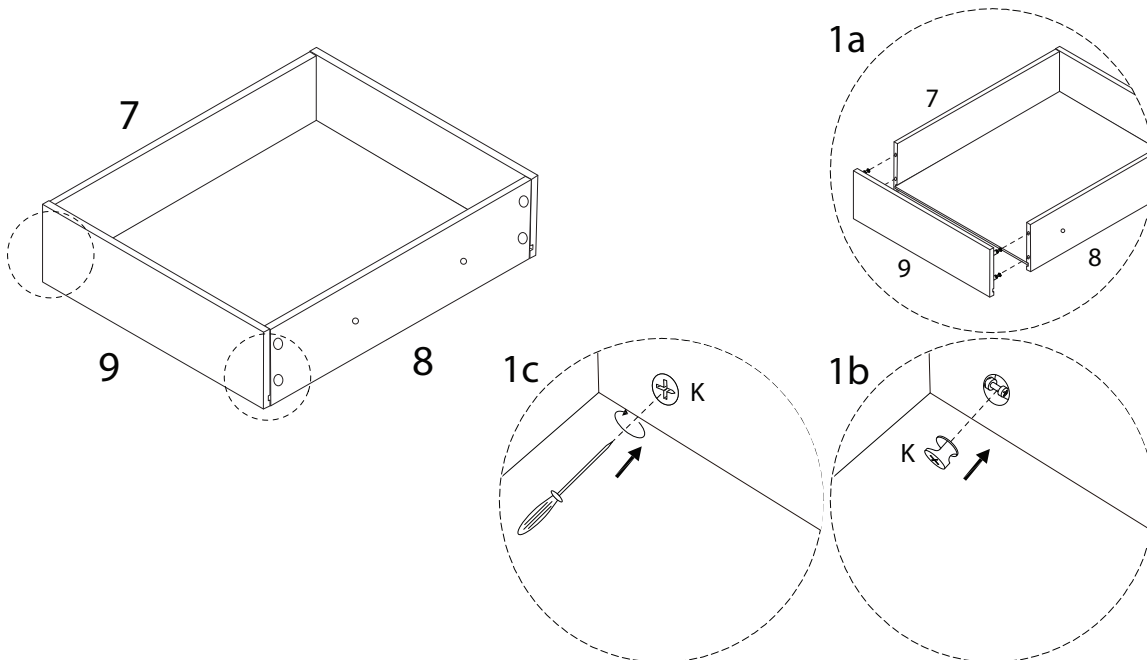


4 x 4

K



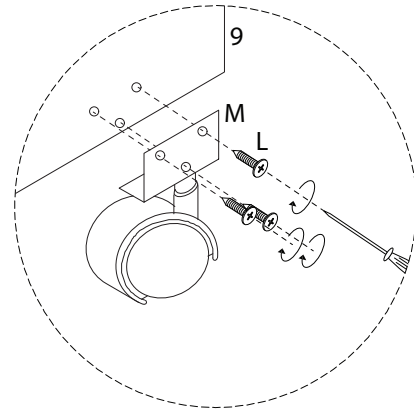
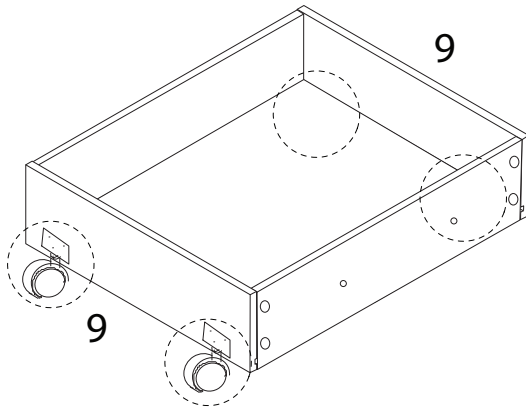
x 4



5 x 4

L
M3
x
16
x 12

M
x 4



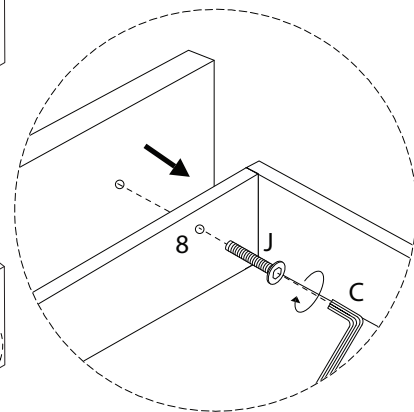
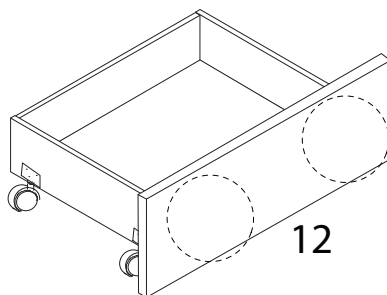
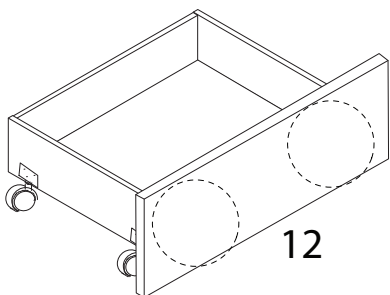
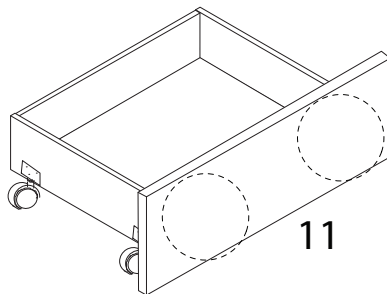
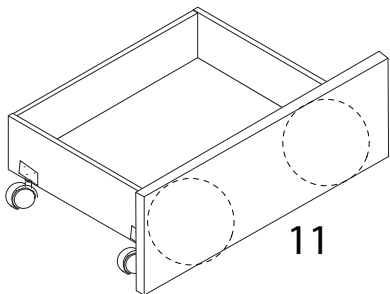
6

11
x 2

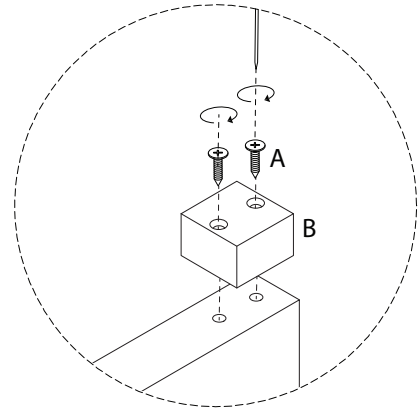
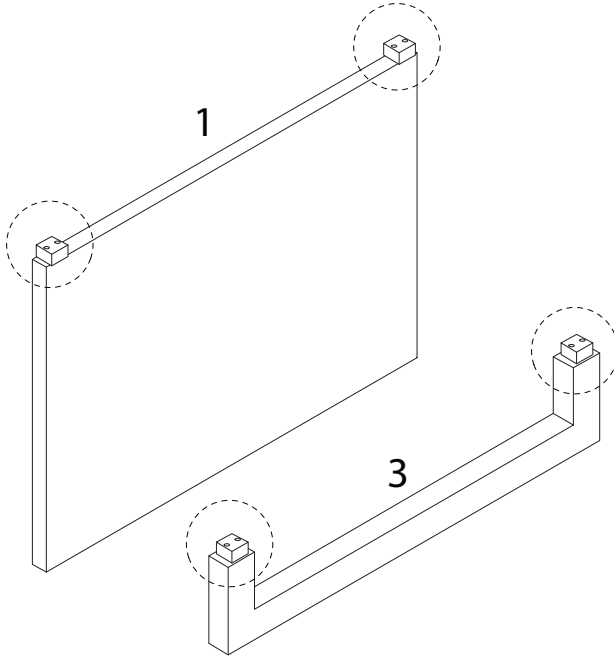
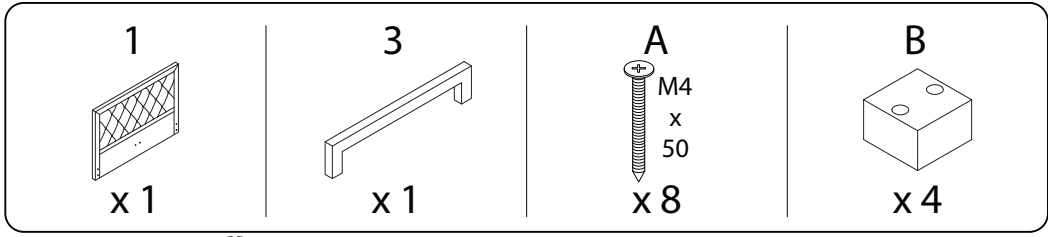
12
x 2

C
x 1

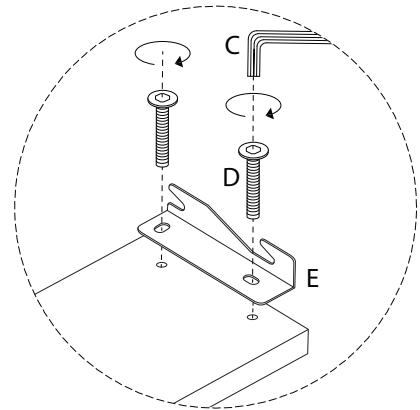
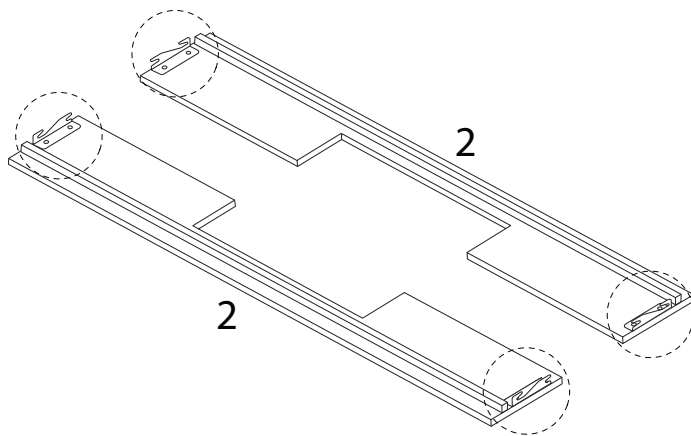
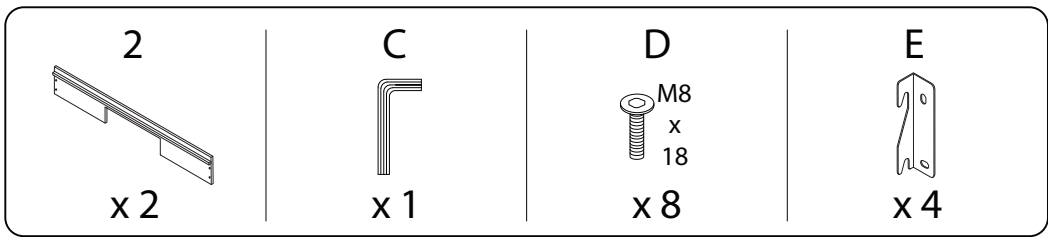
J
M8
x
30
x 8



7

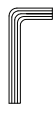


8



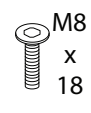
9

C

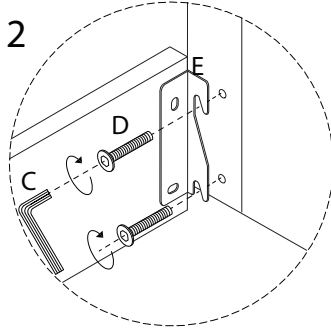
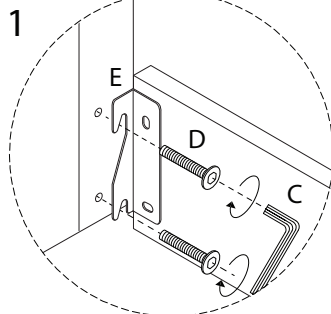
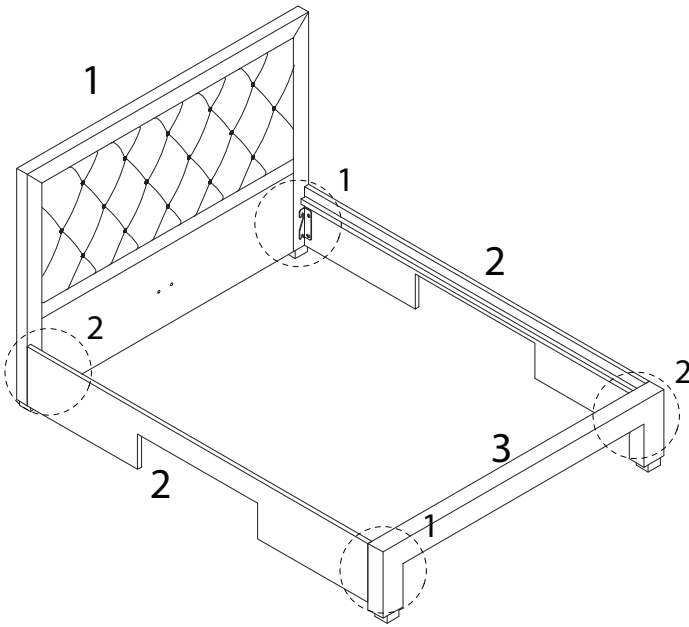


x 1

D

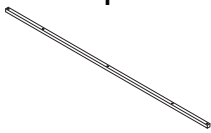


x 8



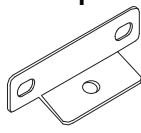
10

4



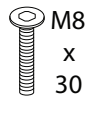
x 1

F



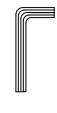
x 2

H

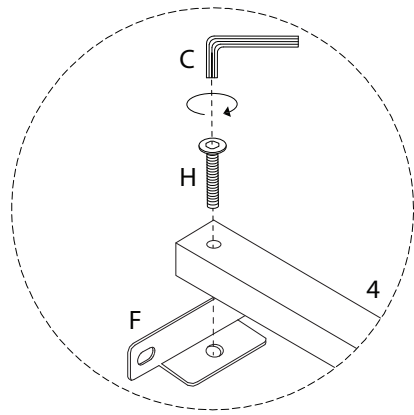
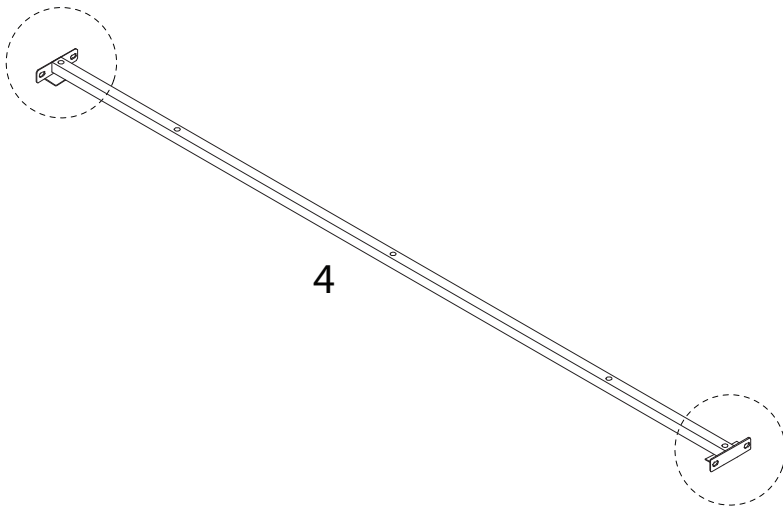


x 2

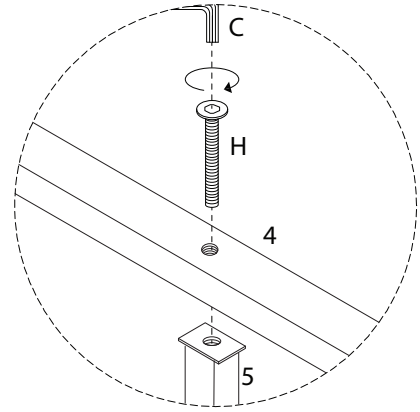
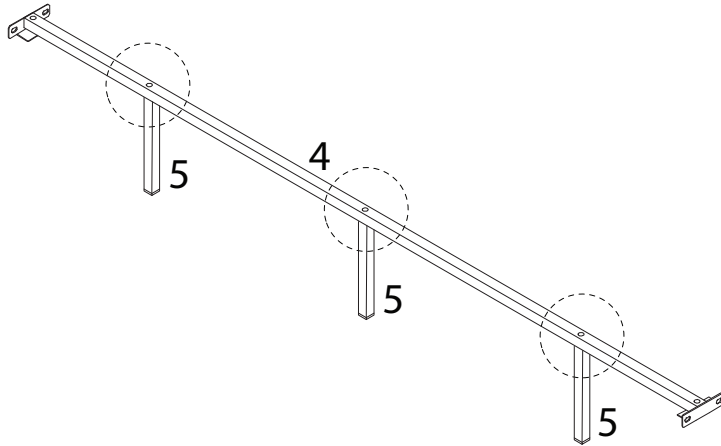
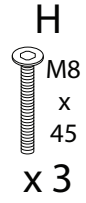
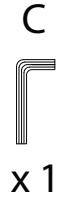
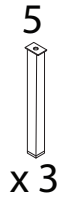
C



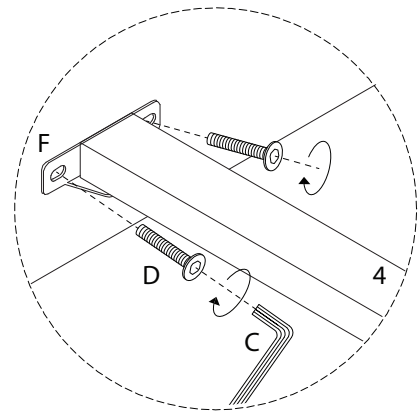
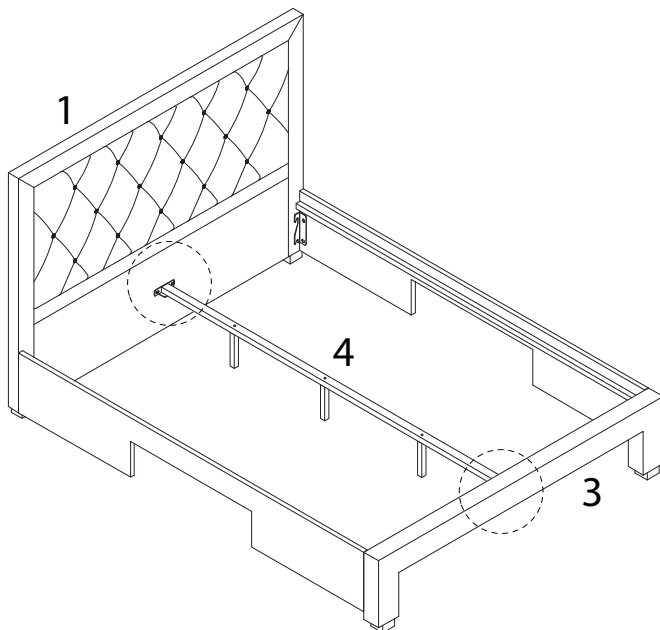
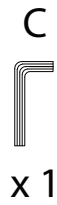
x 1



11

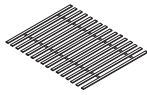


12



13

6

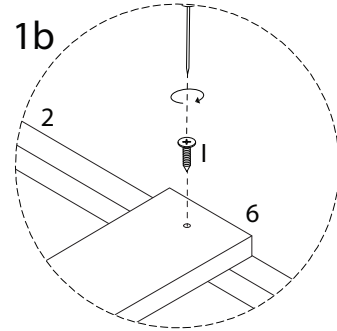
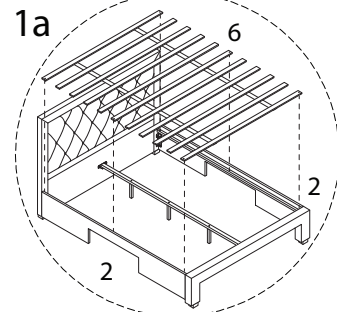
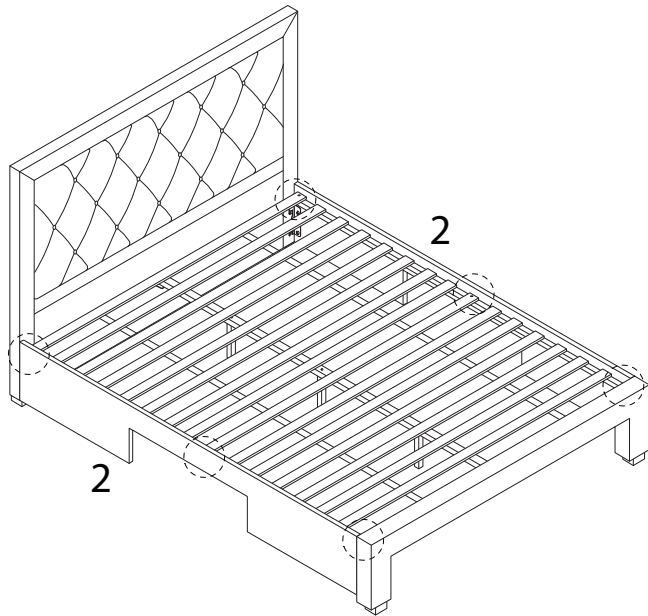


x 1

I



x 6



14

