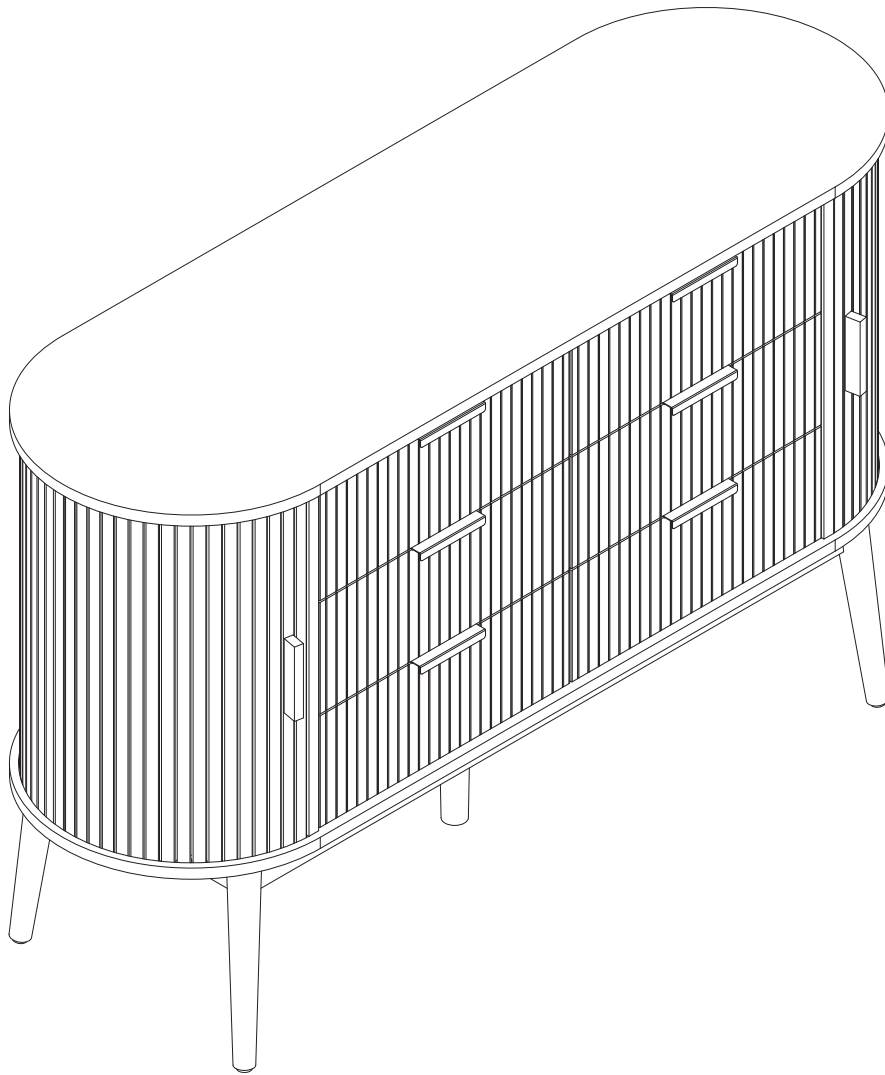
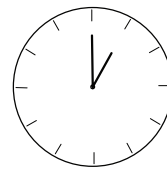
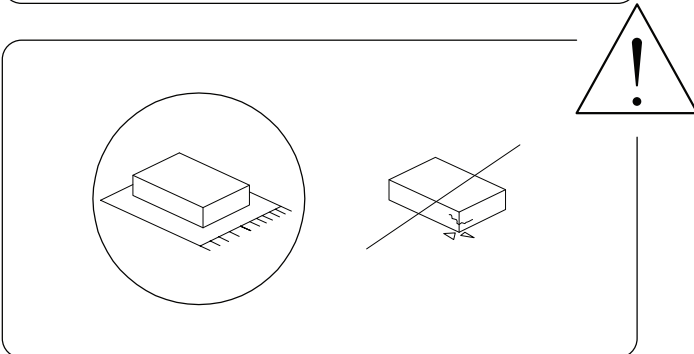
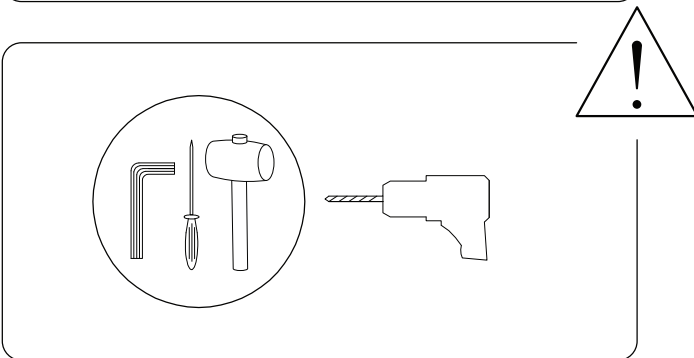
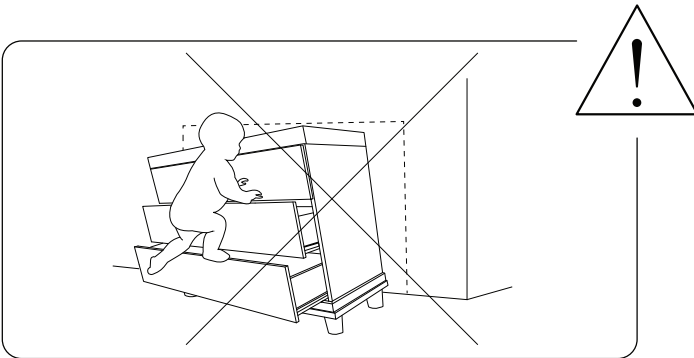
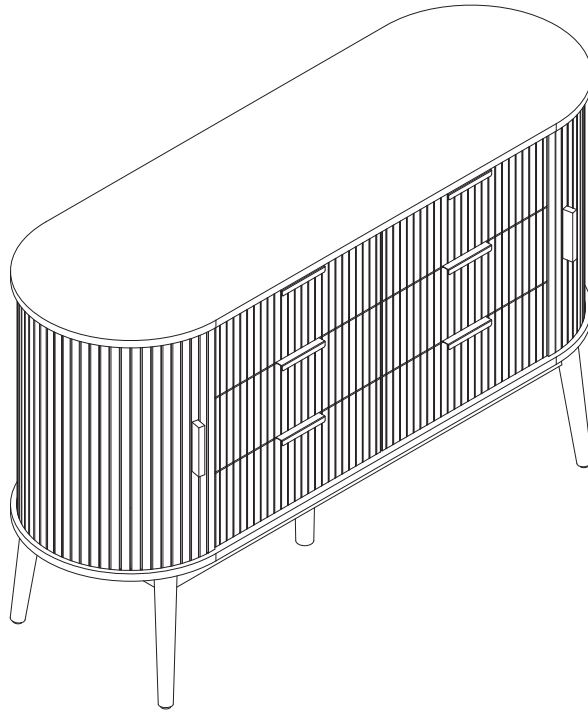
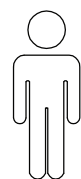


SELAH

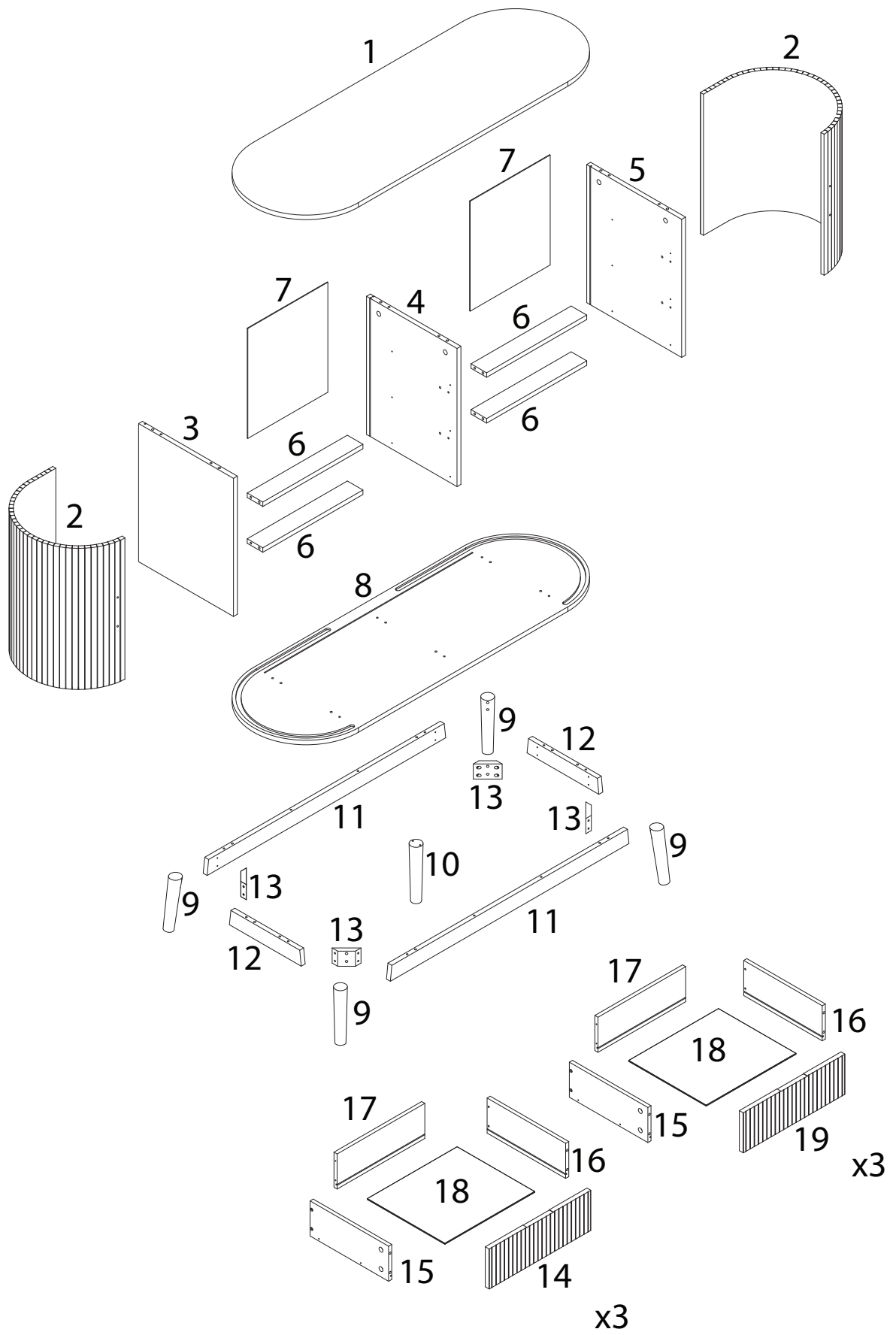


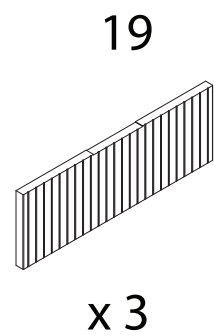
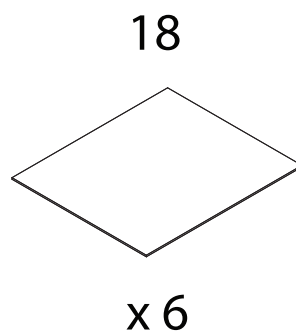
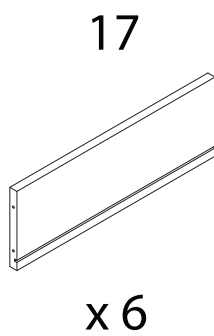
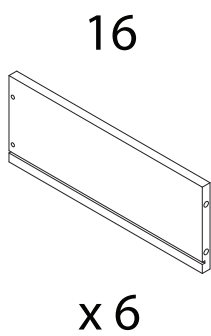
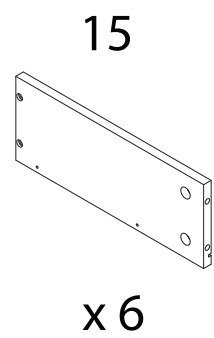
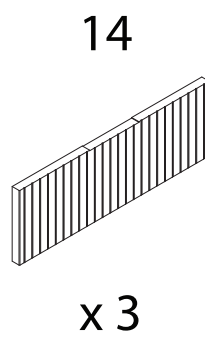
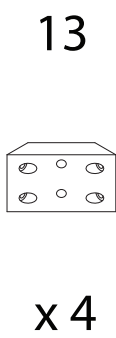
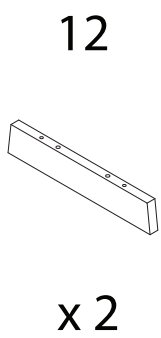
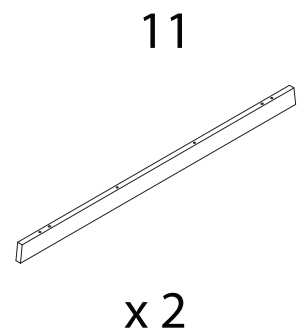
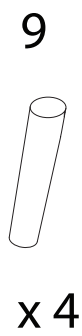
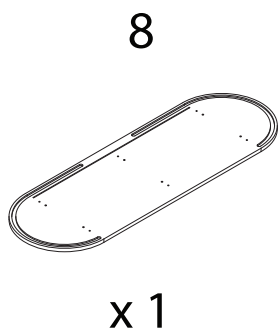
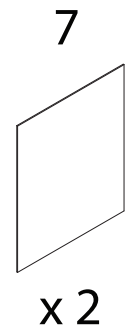
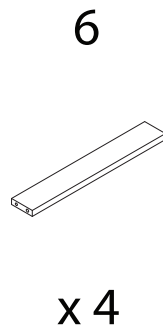
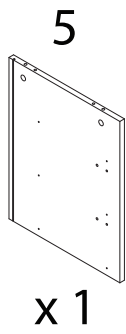
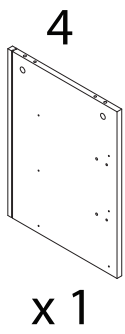
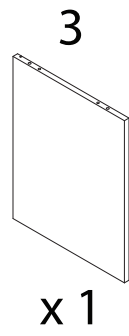
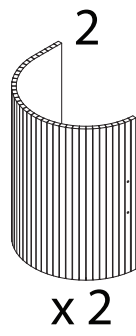
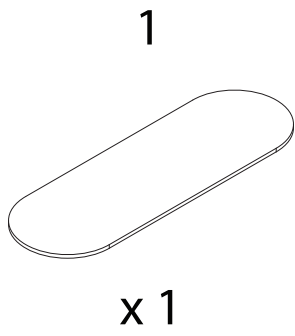


60'



2



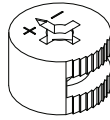


A



x 38

B



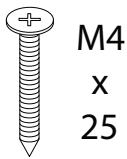
x 38

C



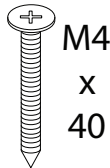
x 30

D



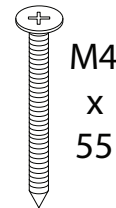
x 20

E



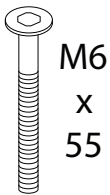
x 6

F



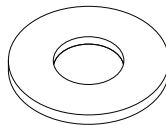
x 12

G



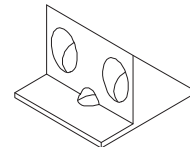
x 8

H



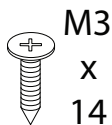
x 8

I



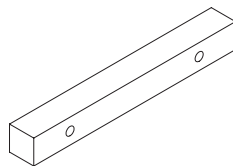
x 12

J



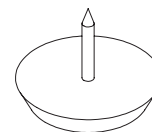
x 12

K



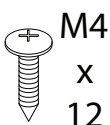
x 2

L



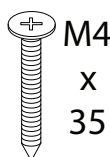
x 4

M



x 6

N



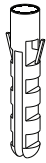
x 2

O



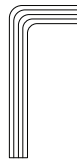
x 2

P



x 2

Q



x 1

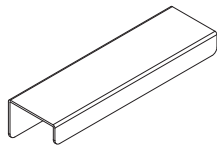
R



M3
x
12

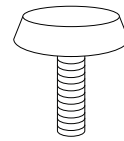
x 62

S



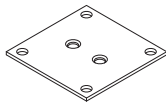
x 6

T



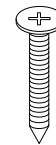
x 1

U



x 1

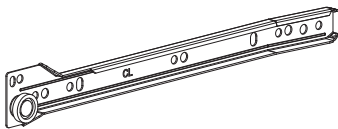
V



M4
x
30

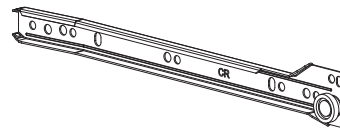
x 26

CL



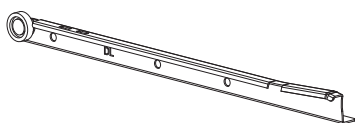
x 6

CR



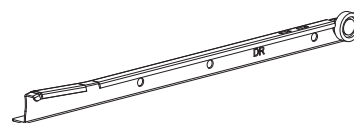
x 6

DL



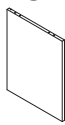
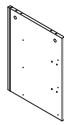




x 6

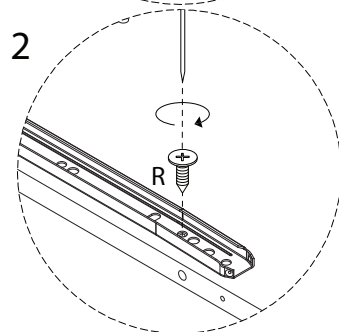
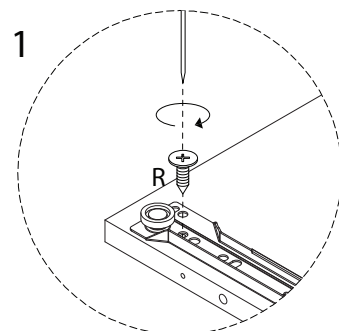
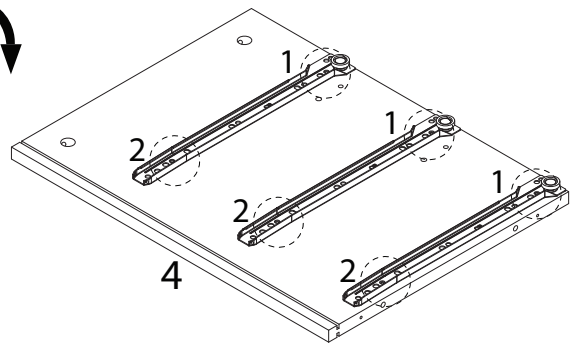
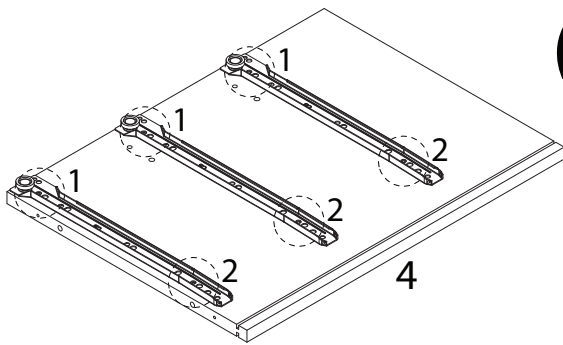
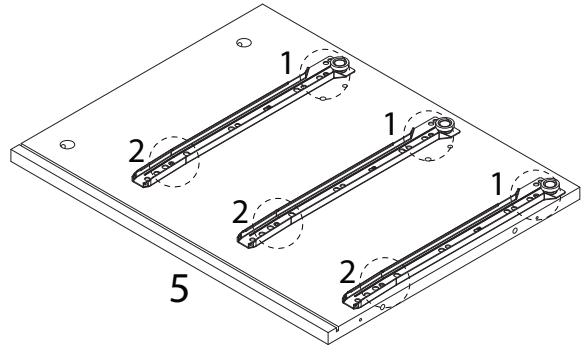
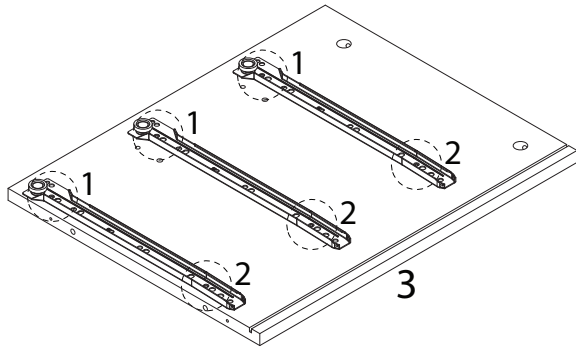
DR



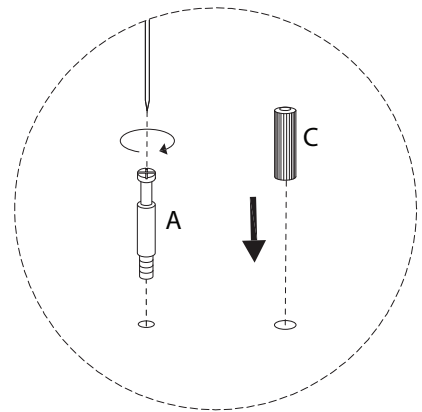
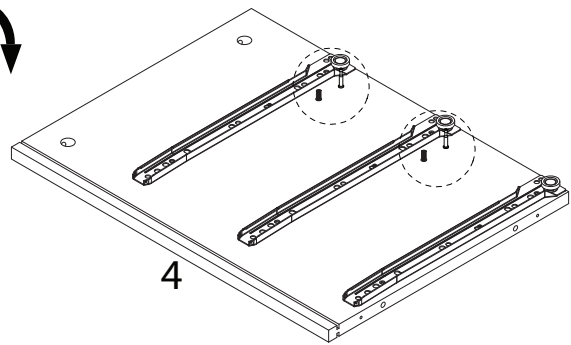
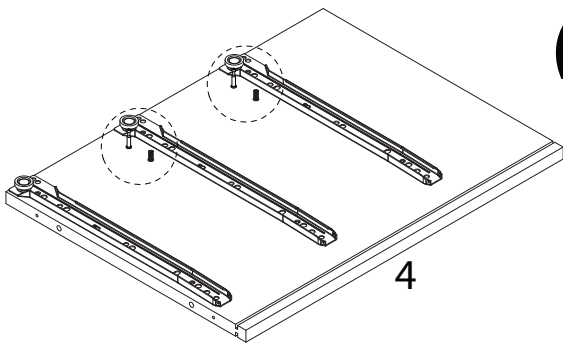
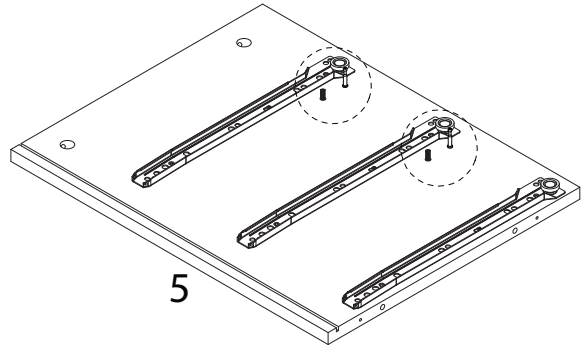
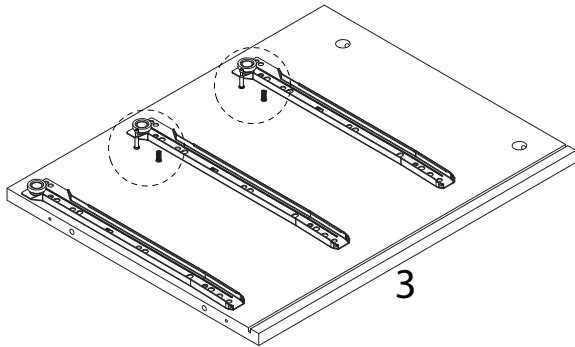
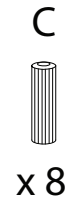
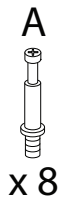
x 6

1

<p>3</p>  <p>x 1</p>	<p>4</p>  <p>x 1</p>	<p>5</p>  <p>x 1</p>	<p>R</p>  <p>M3 x 12</p> <p>x 24</p>	<p>CL</p>  <p>x 6</p>	<p>CR</p>  <p>x 6</p>
---	---	---	---	--	--

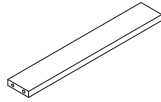


2



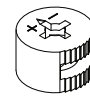
3

6

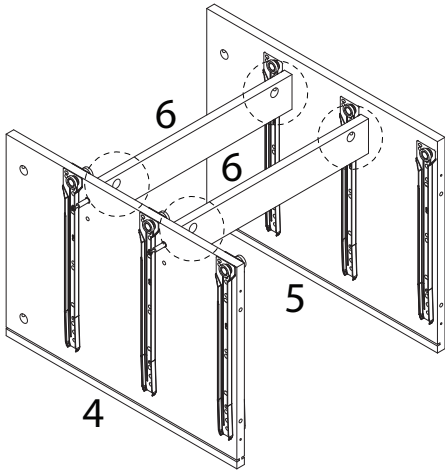


x 2

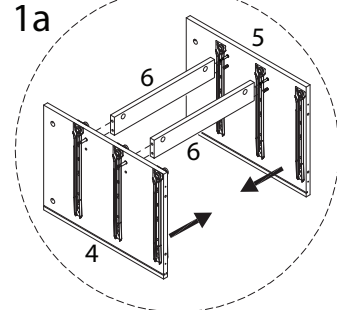
B



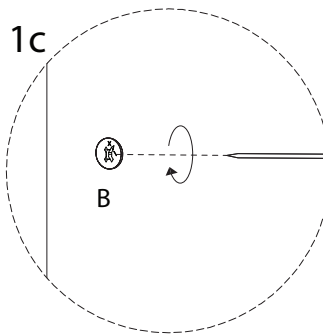
x 4



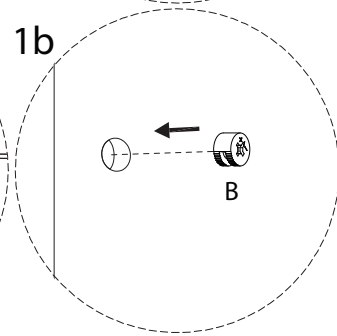
1a



1c

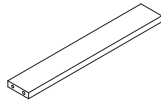


1b



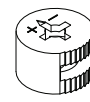
4

6

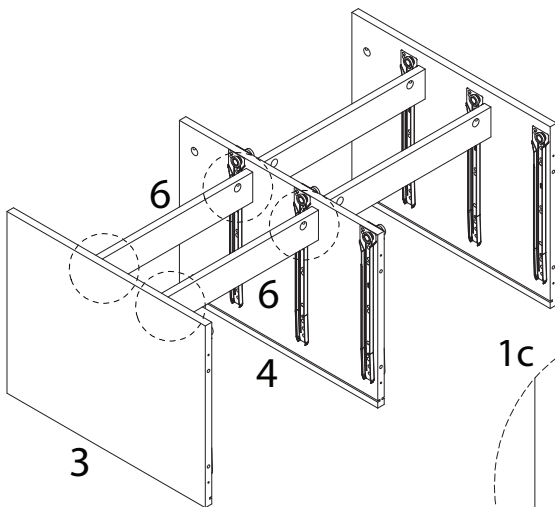


x 2

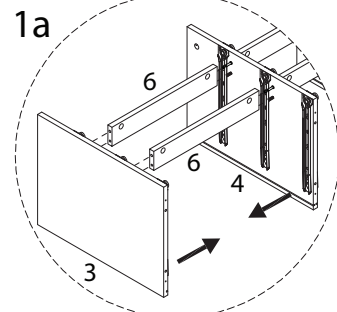
B



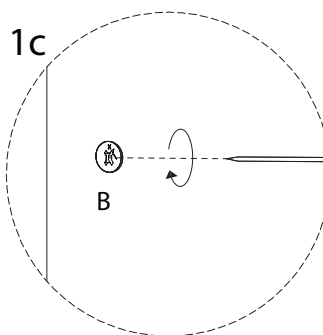
x 4



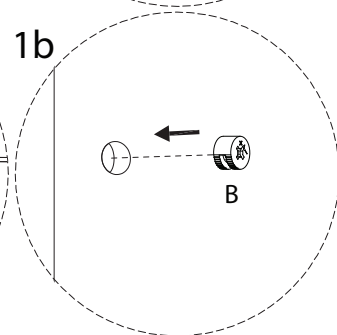
1a



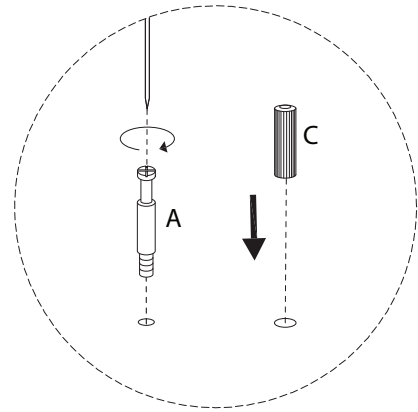
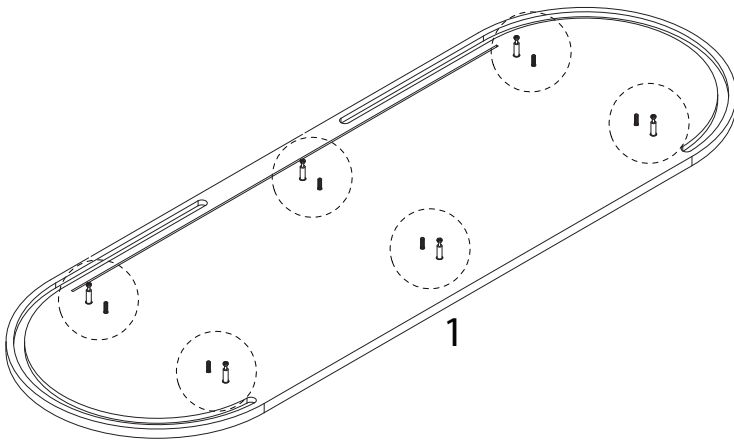
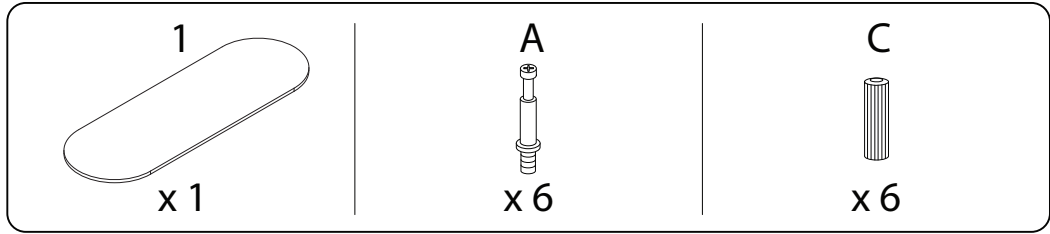
1c



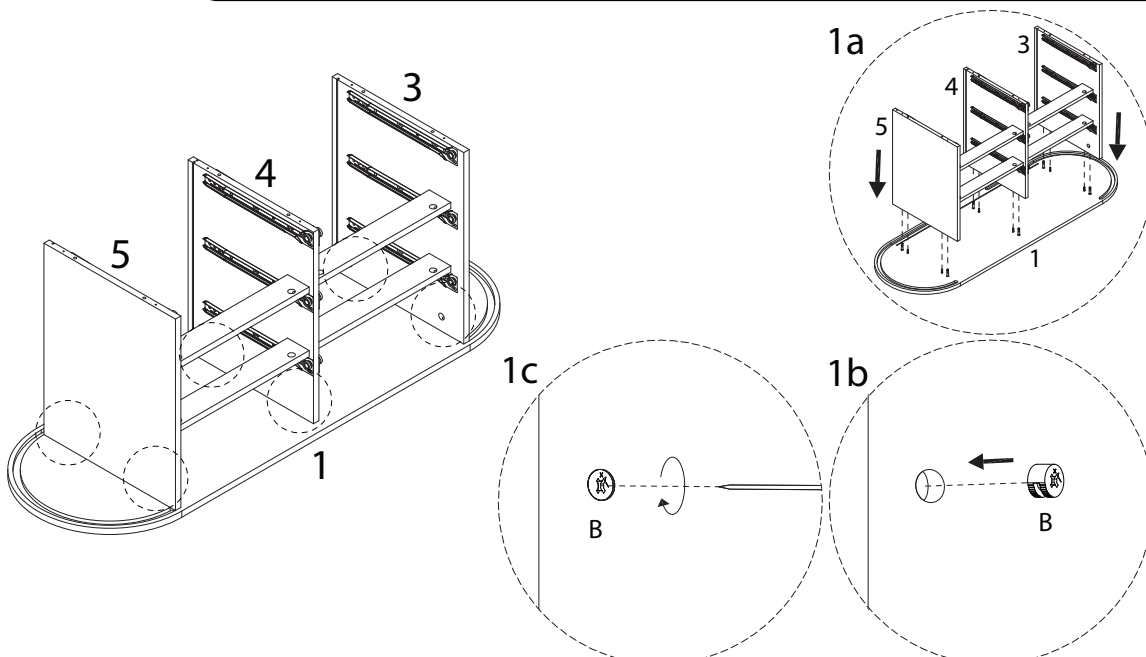
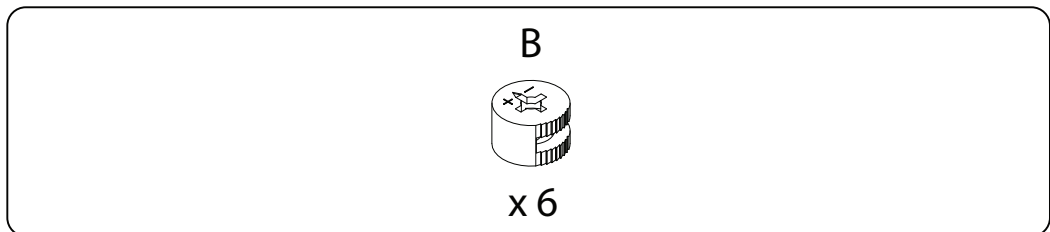
1b



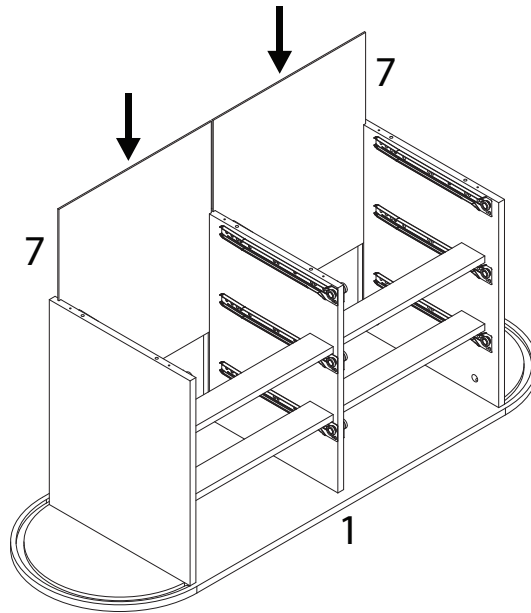
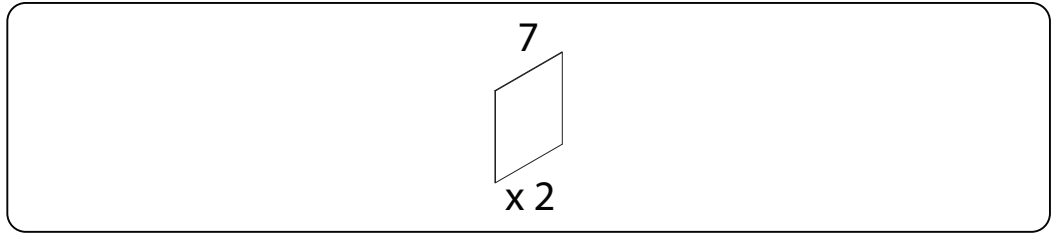
5



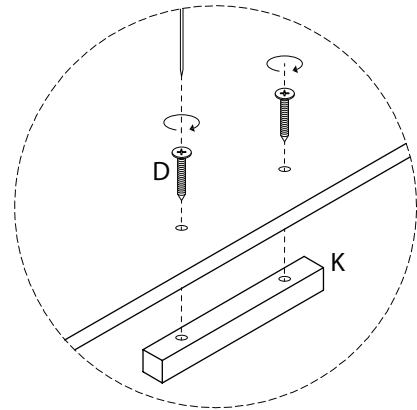
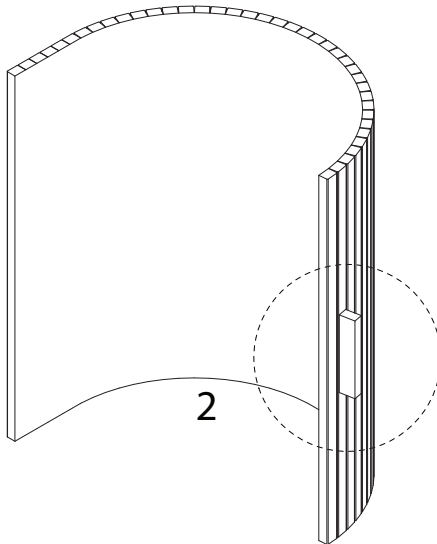
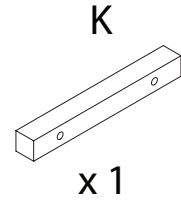
6



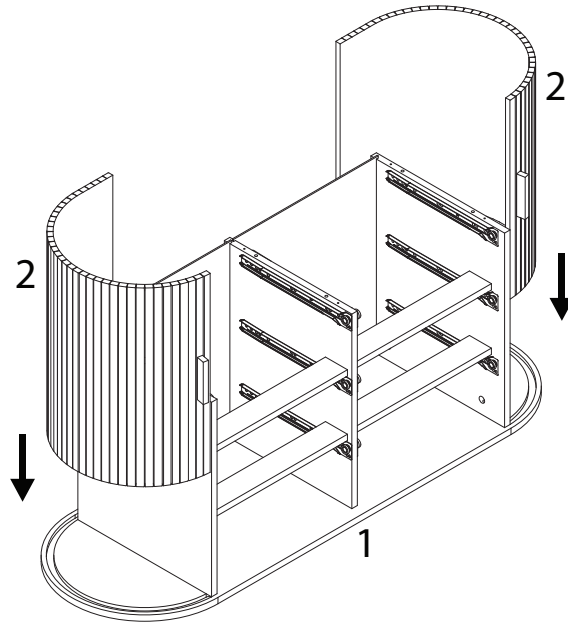
7



8 x 2

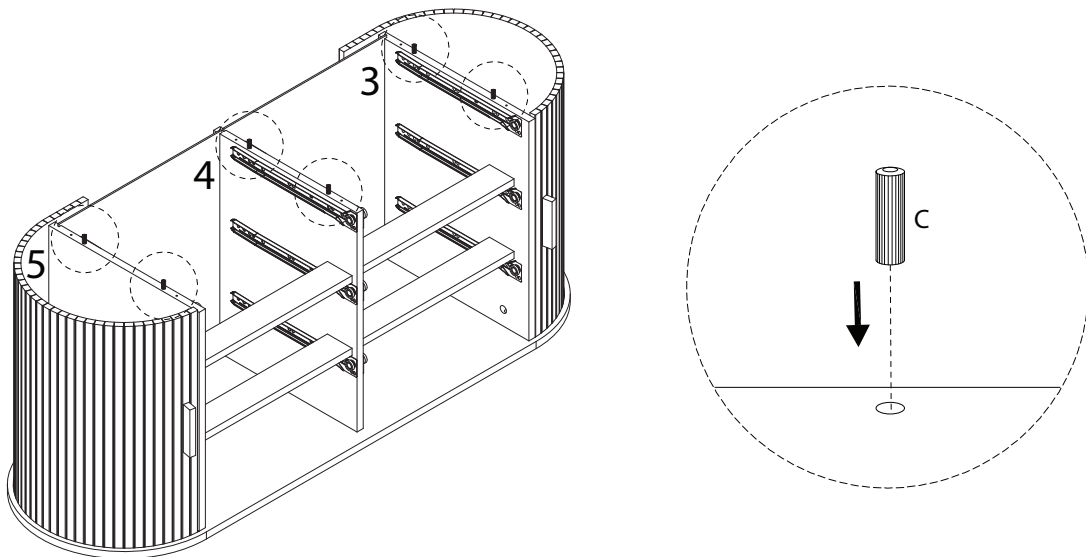


9

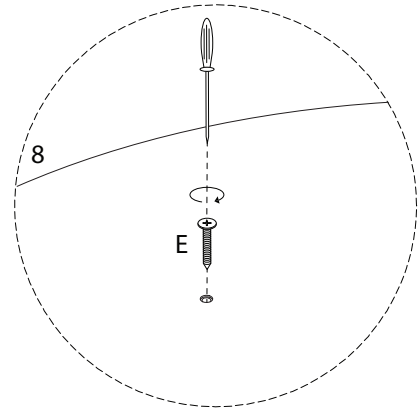
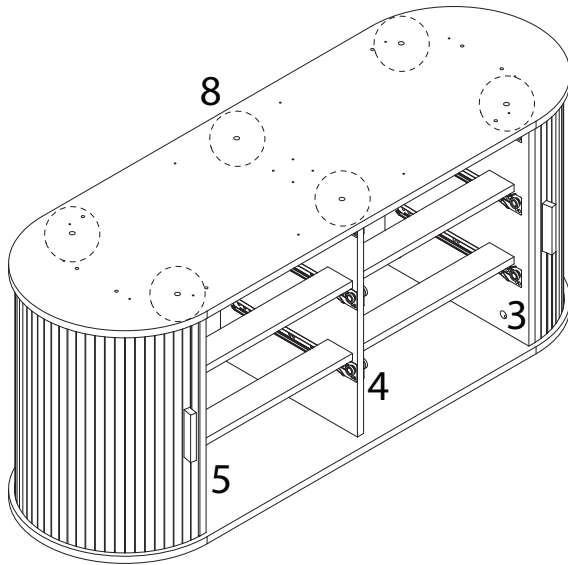
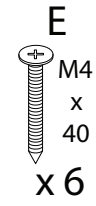
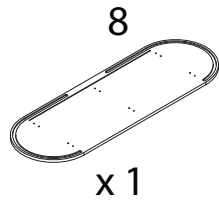


10

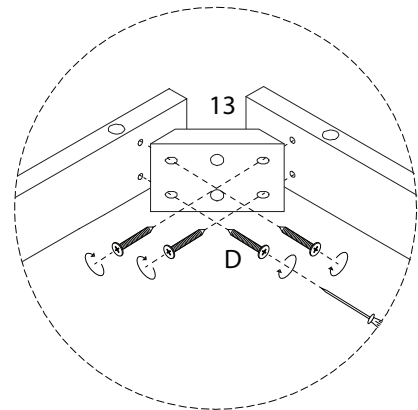
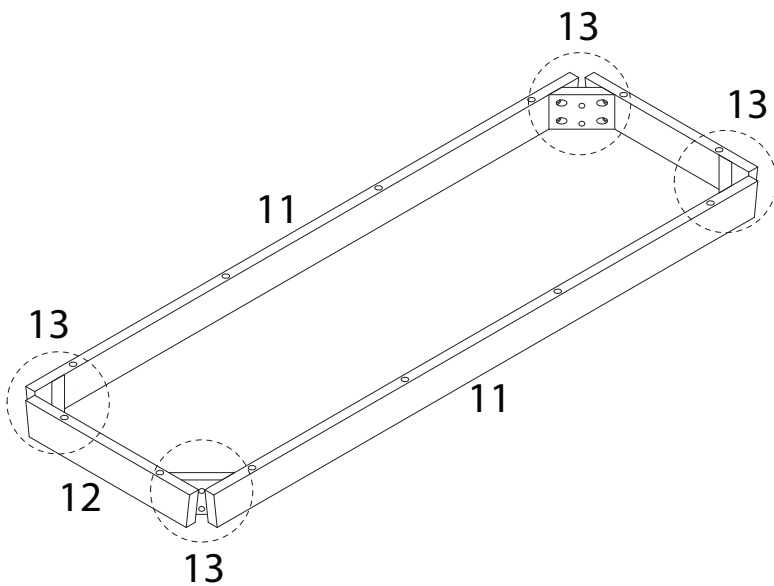
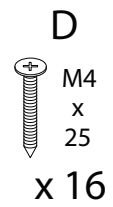
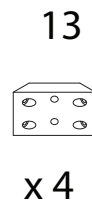
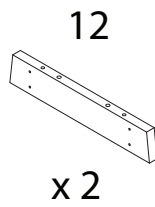
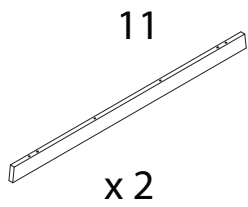
C
x 6



11



12

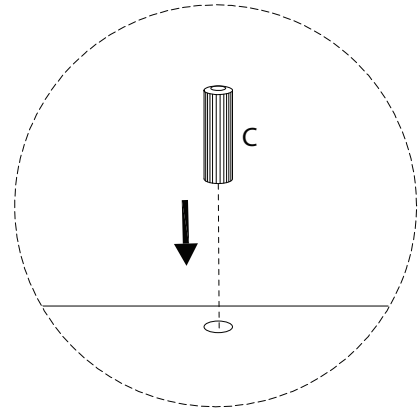
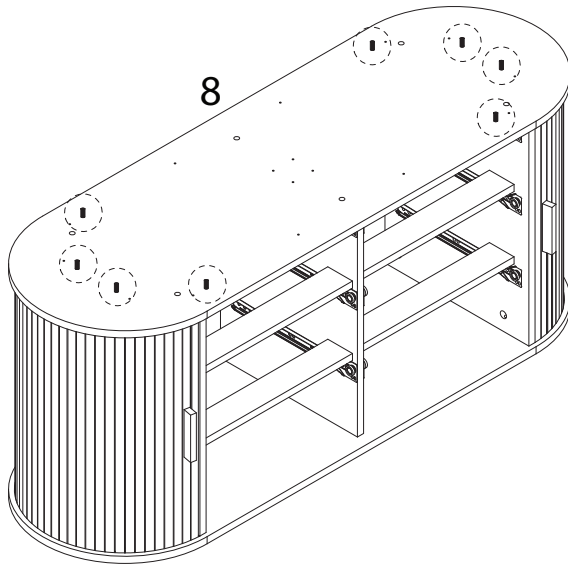


13

C

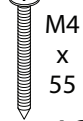


x 8

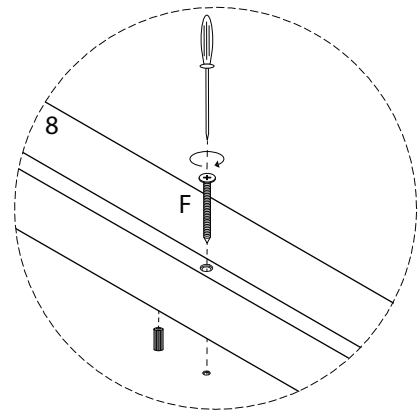
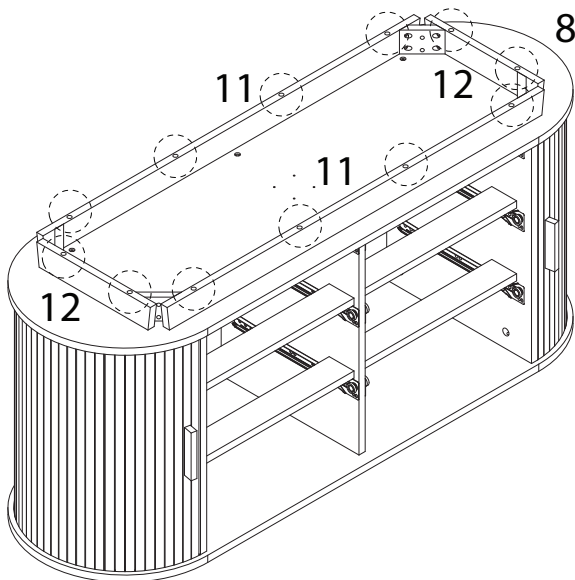


14

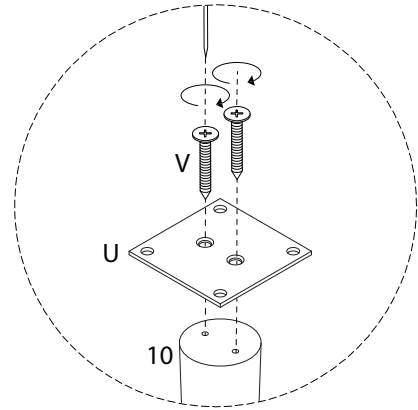
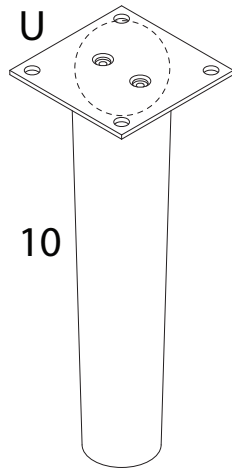
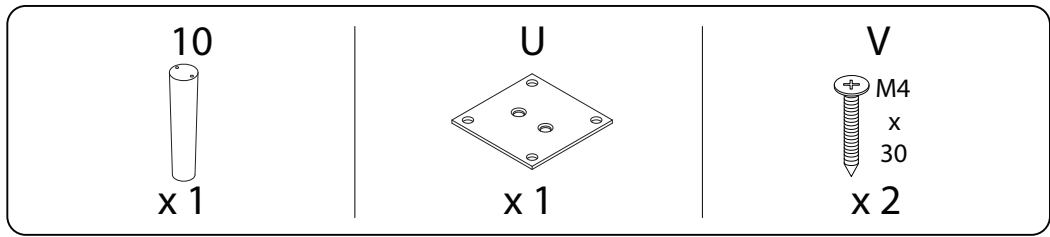
F



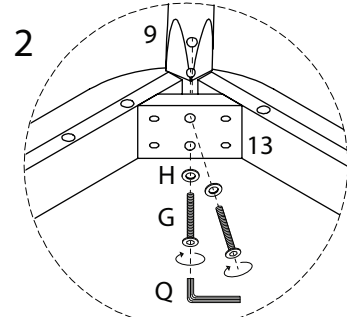
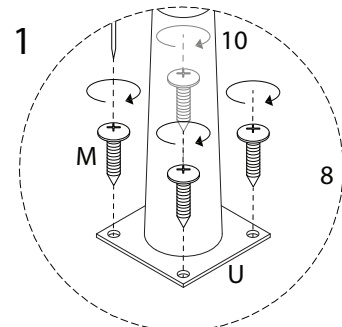
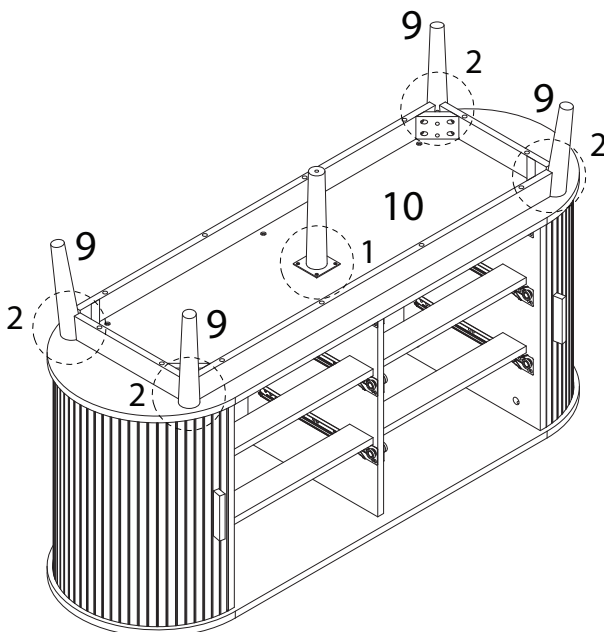
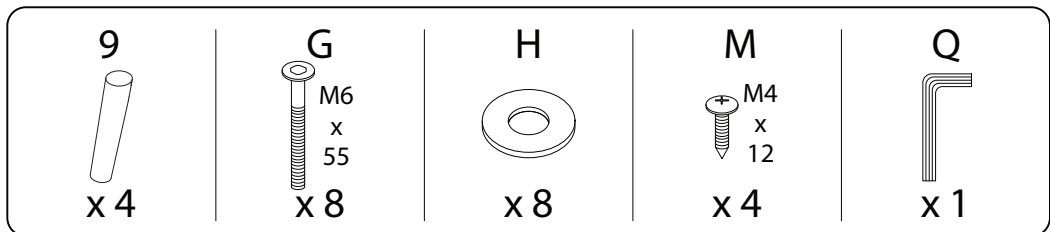
x 12



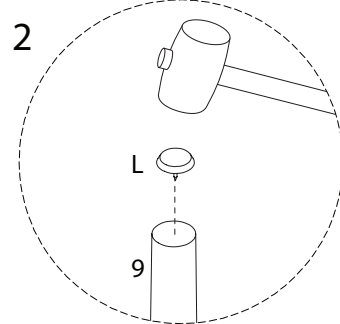
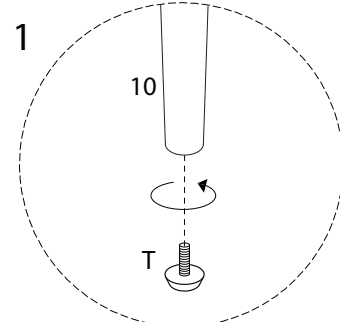
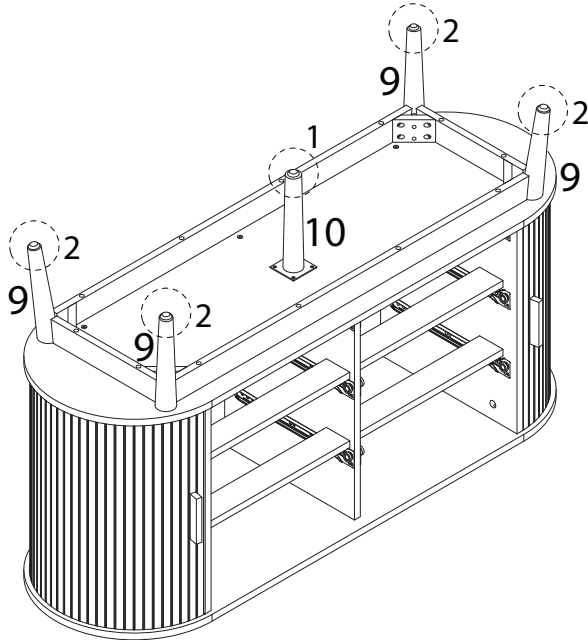
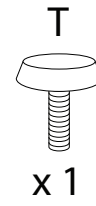
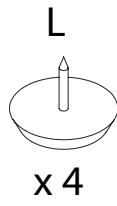
15



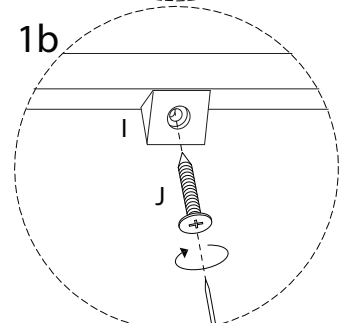
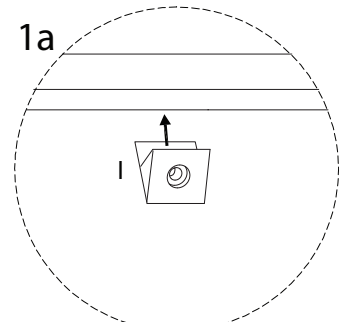
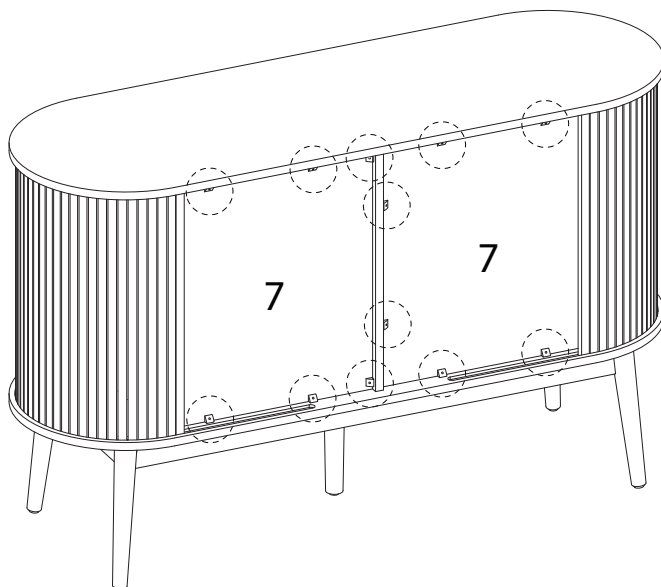
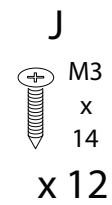
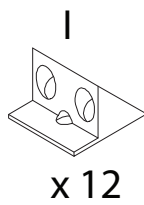
16



17



18



19

M

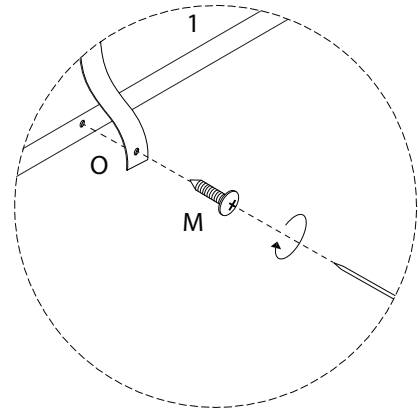
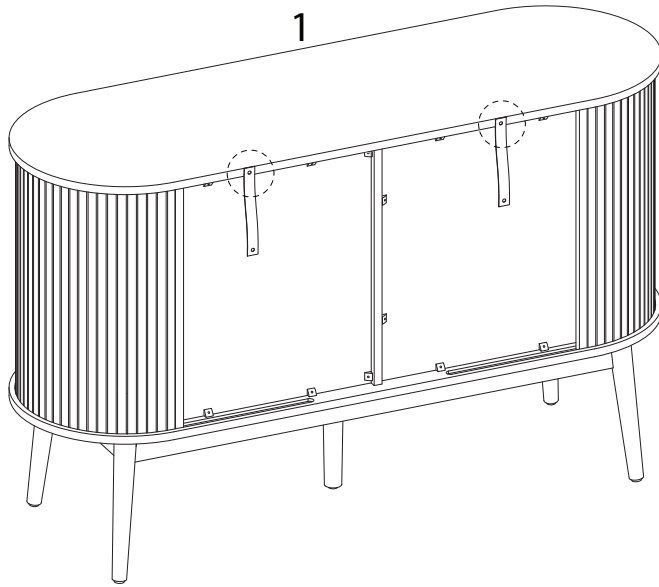


x 2

O

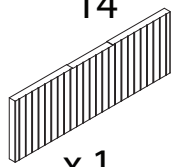


x 2

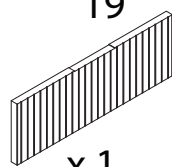


20 x 3

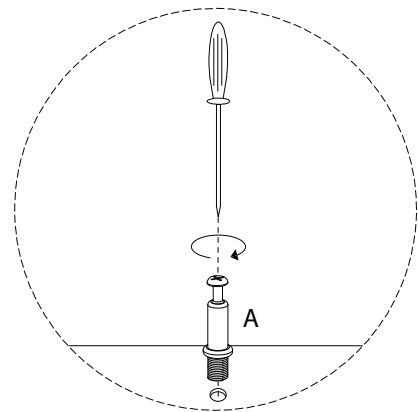
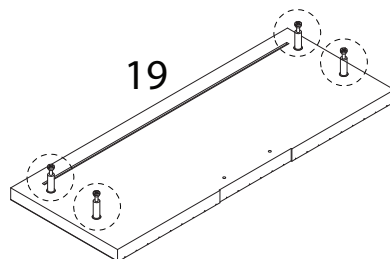
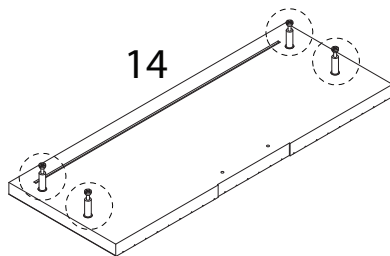
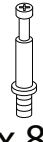
14



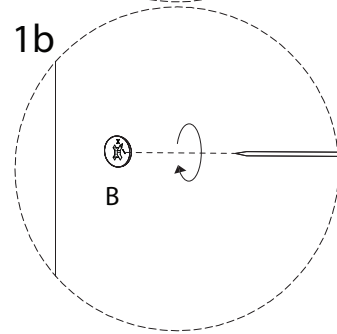
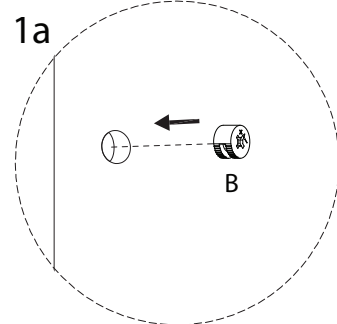
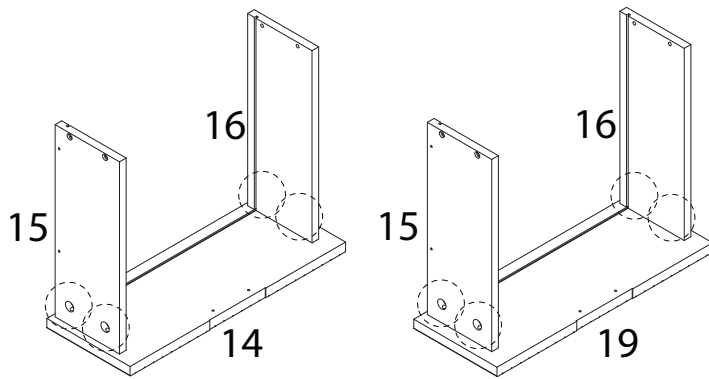
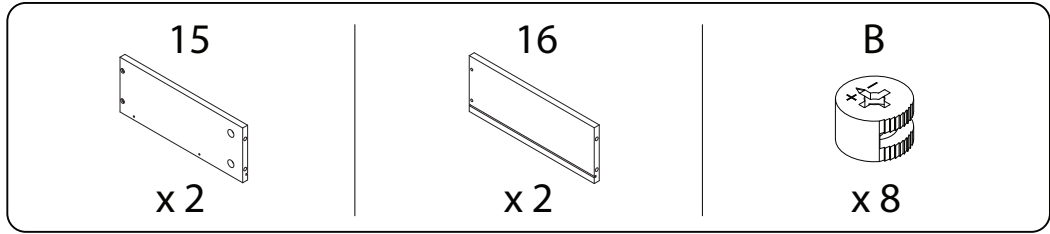
19



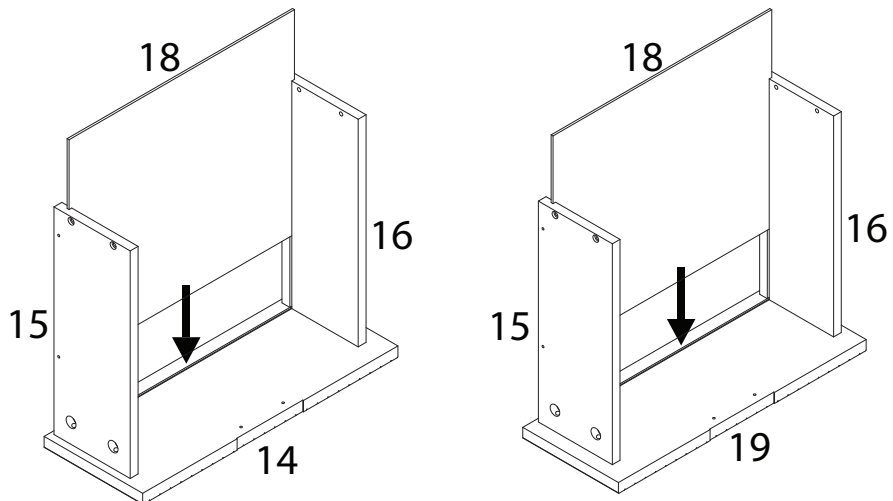
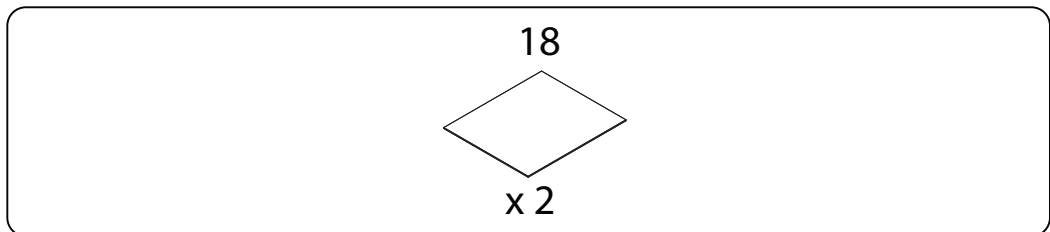
A



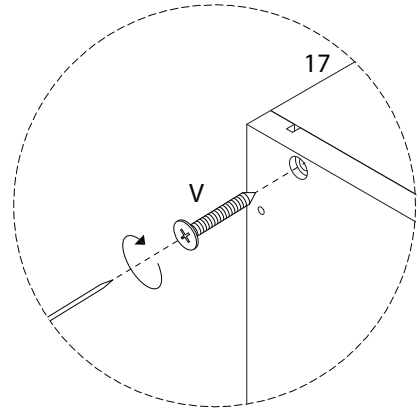
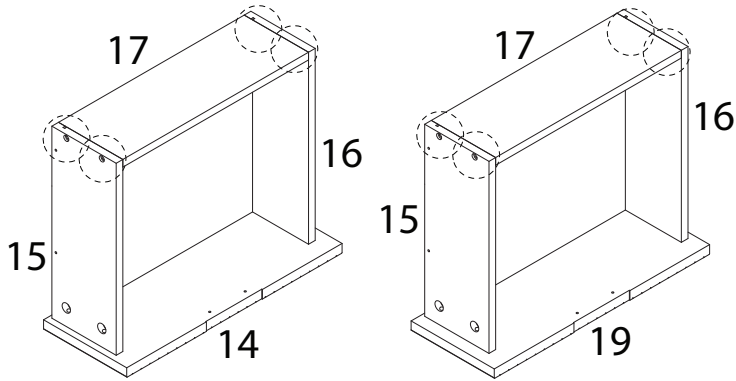
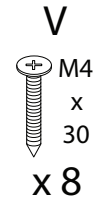
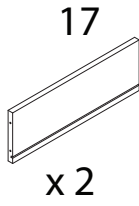
21 x 3



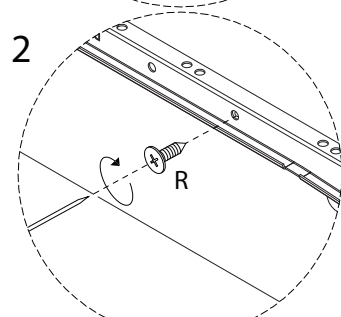
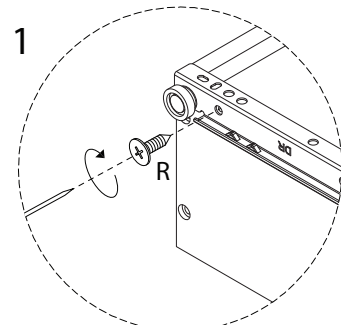
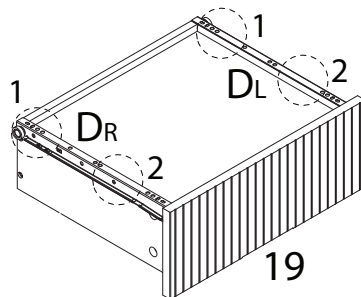
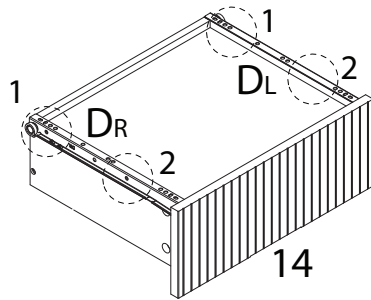
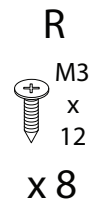
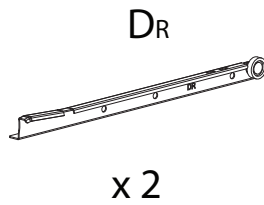
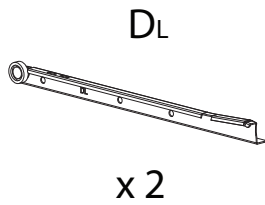
22 x 3



23 x 3

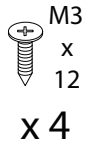


24 x 3

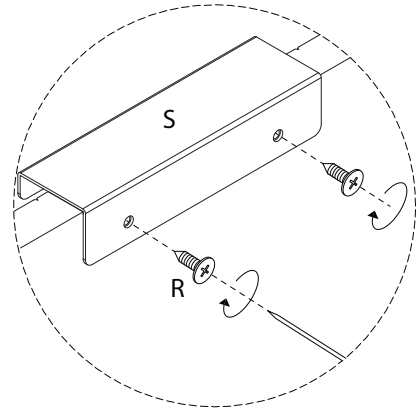
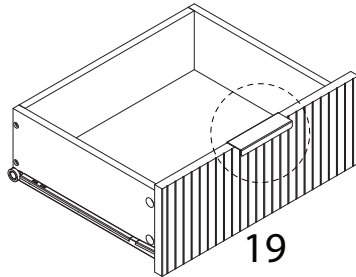
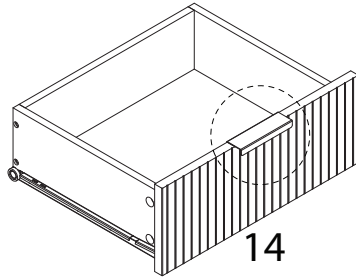
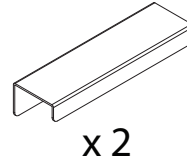


25 x 3

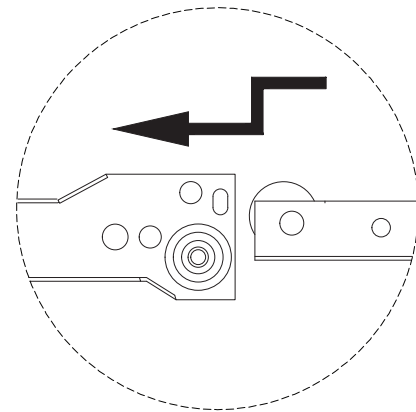
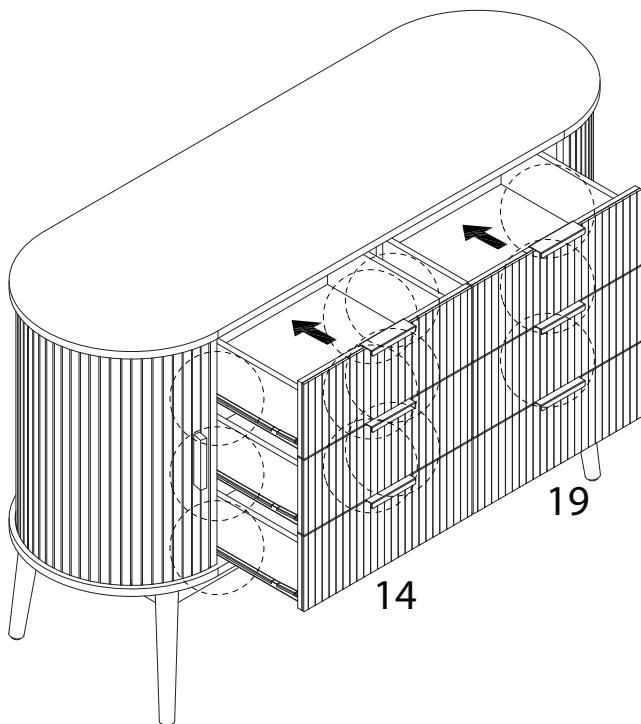
R



S



26



27

N
M4
x
35
x 2

P
x 2

