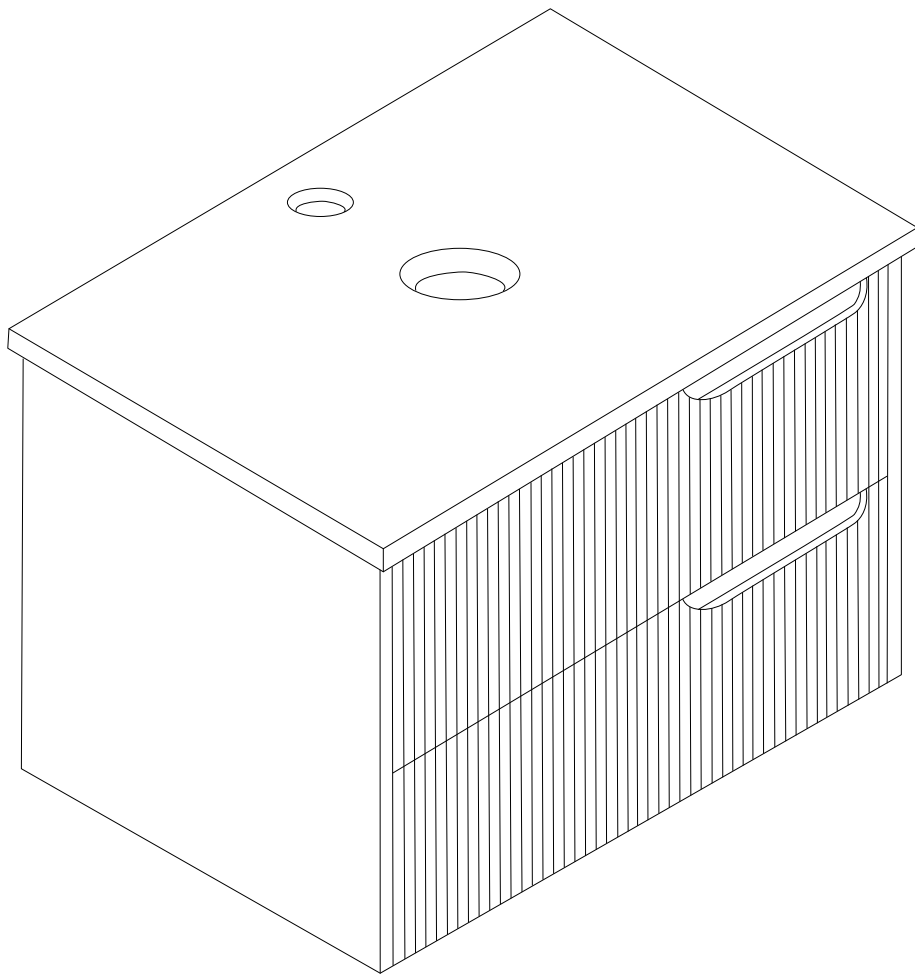
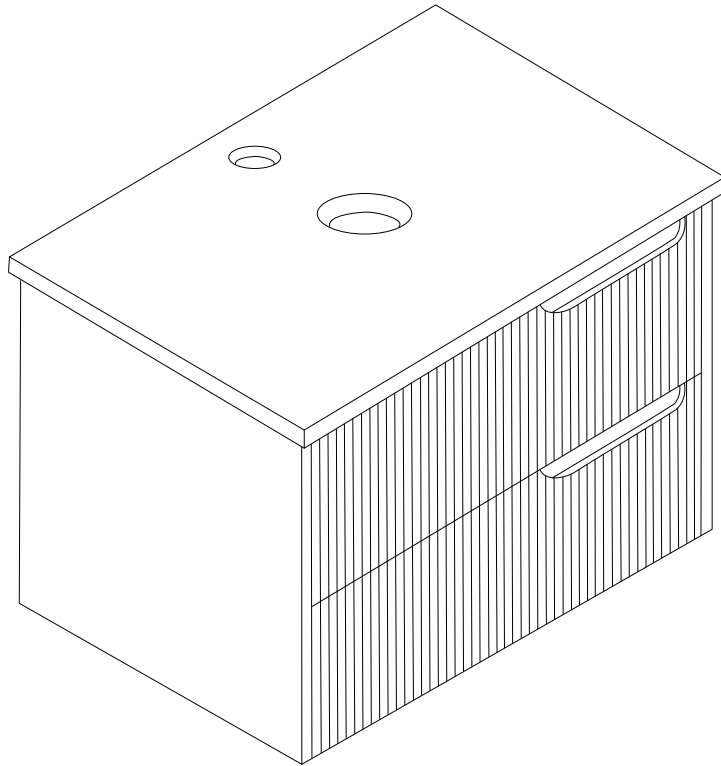
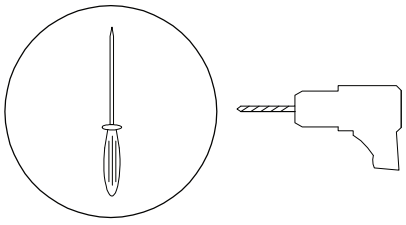

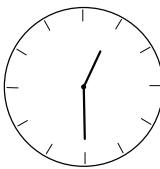
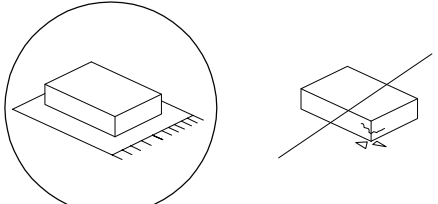


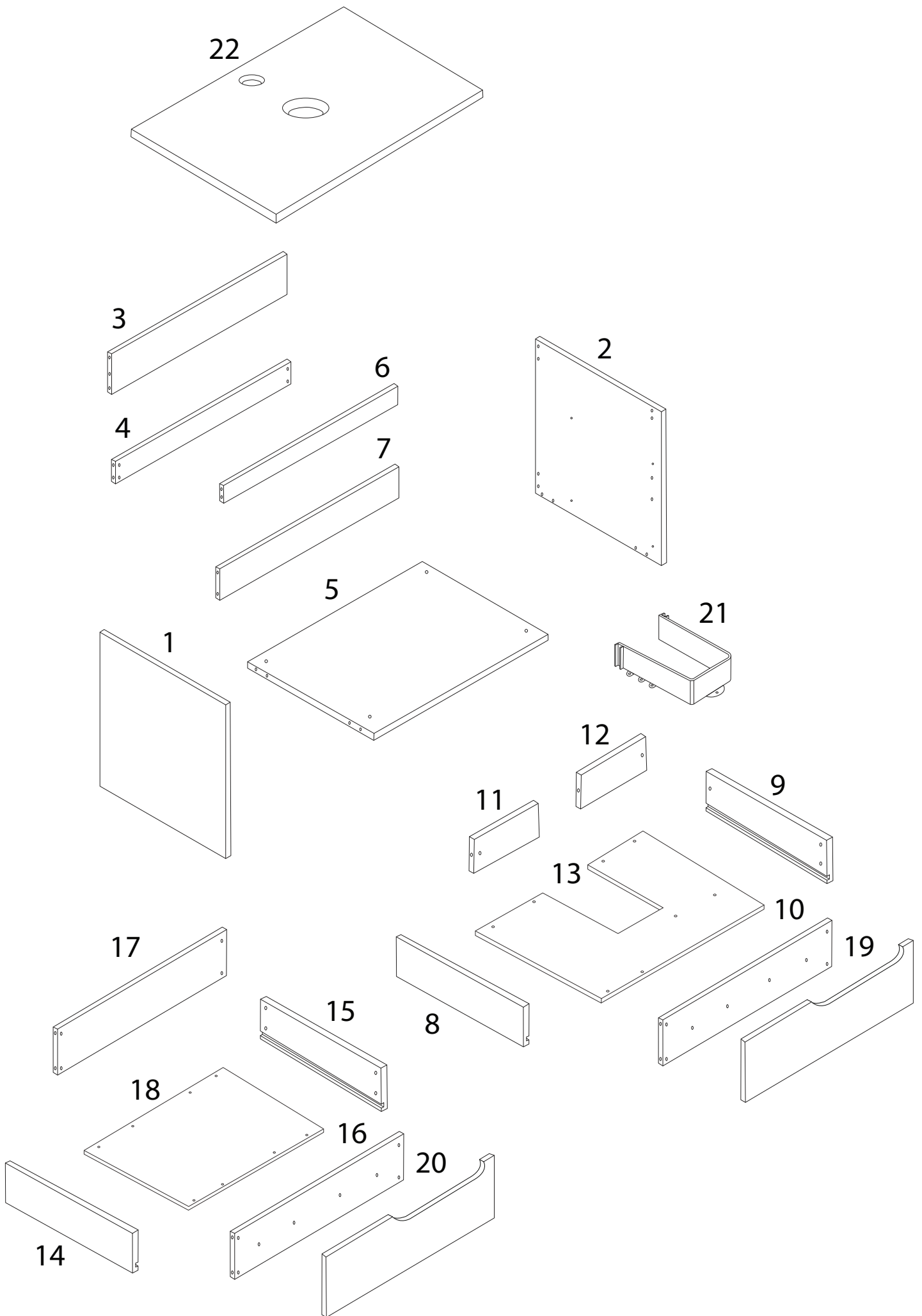


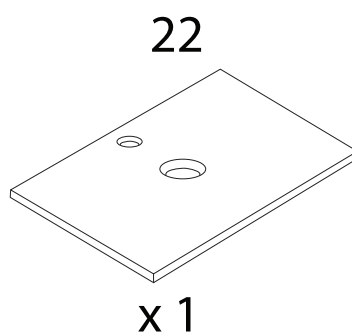
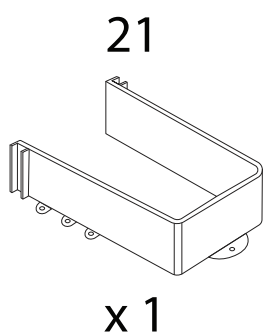
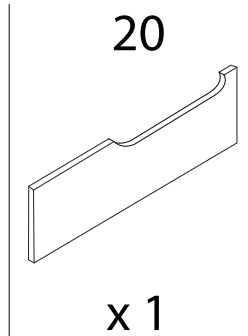
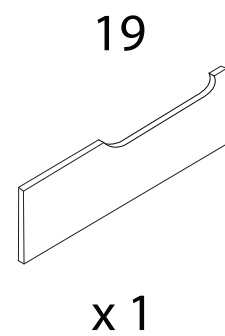
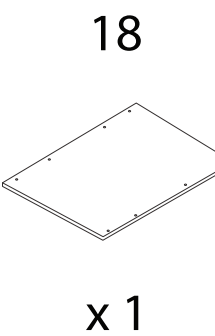
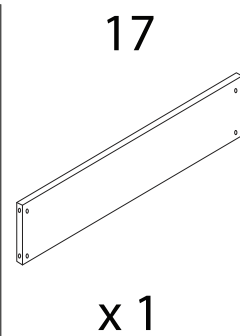
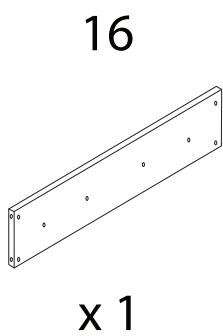
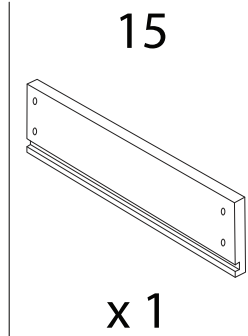
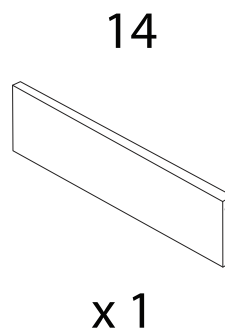
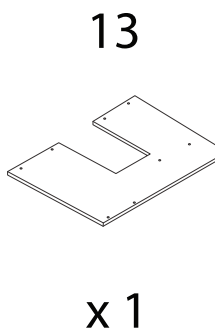
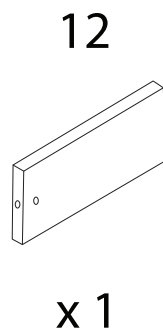
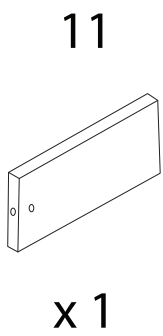
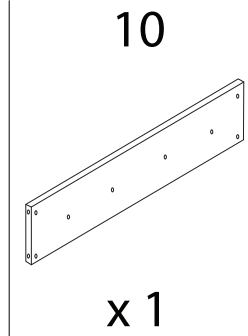
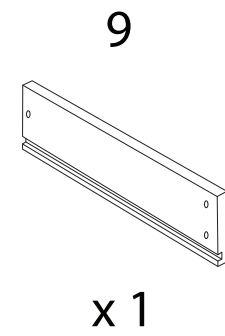
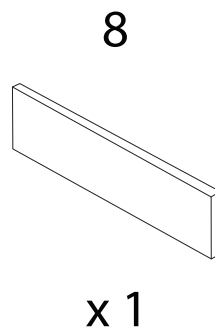
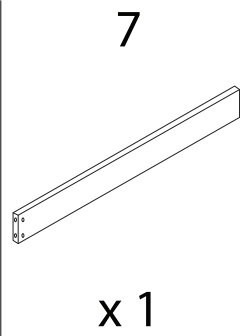
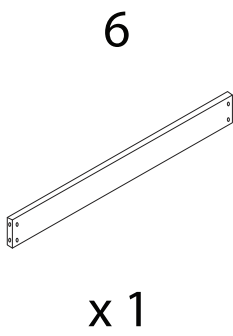
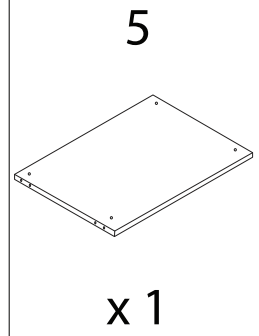
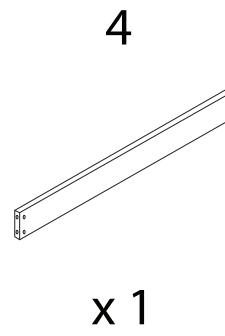
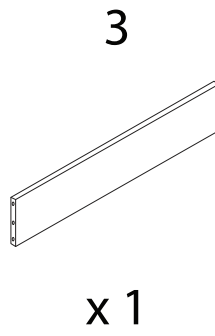
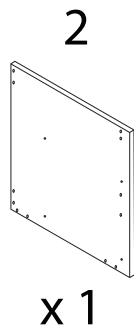
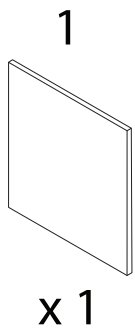
QUINTELA





		
		90'
		
		2



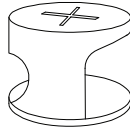


A



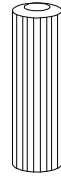
x 34

B



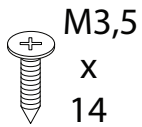
x 34

C



x 6

D



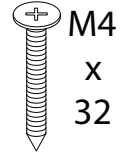
x 43

E



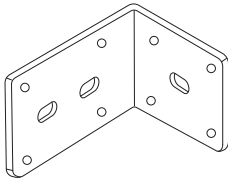
x 16

F



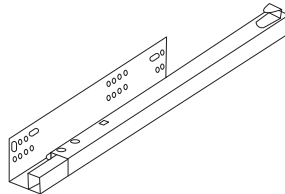
x 8

G



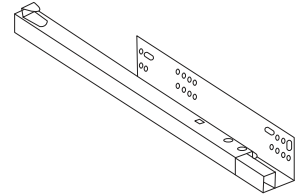
x 2

H



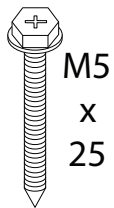
x 2

I



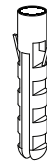
x 2

J



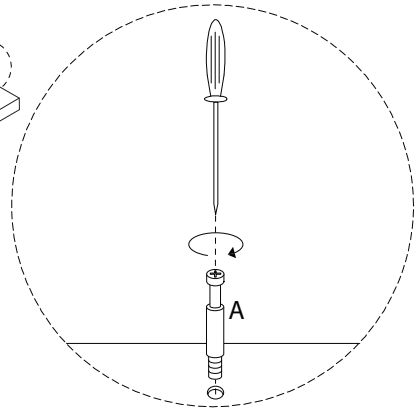
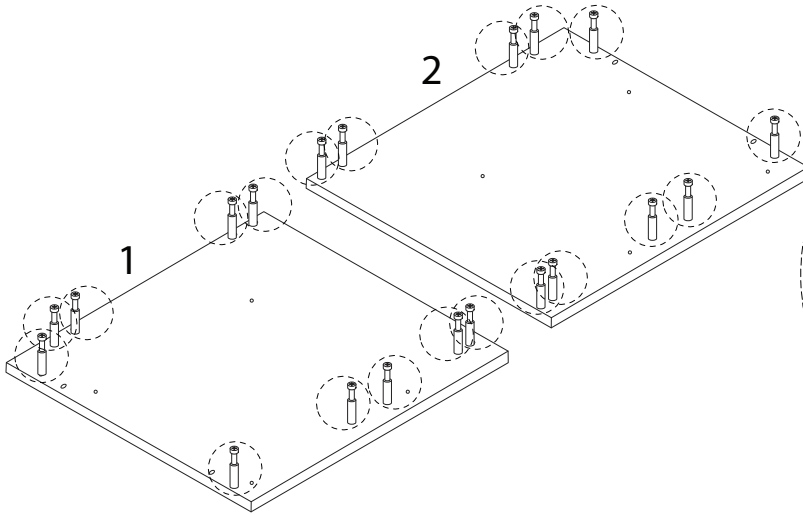
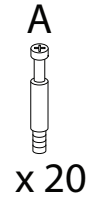
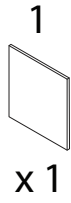
x 2

K

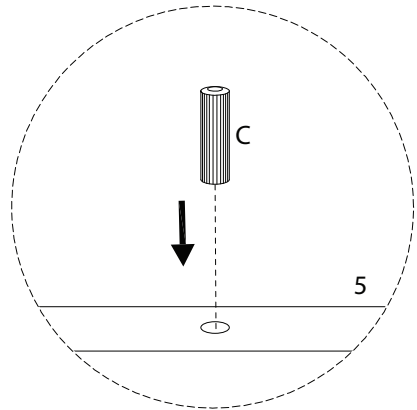
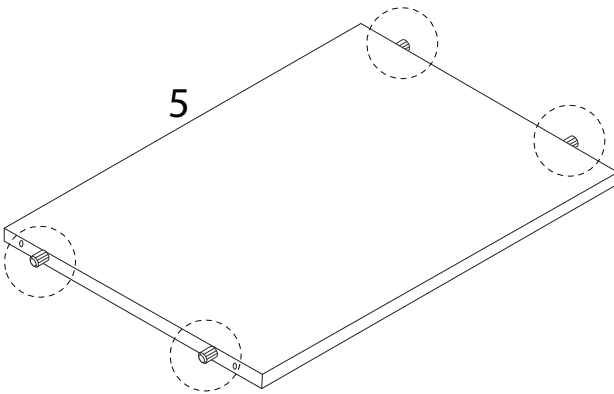
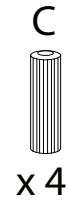
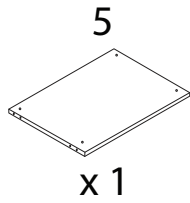


x 2

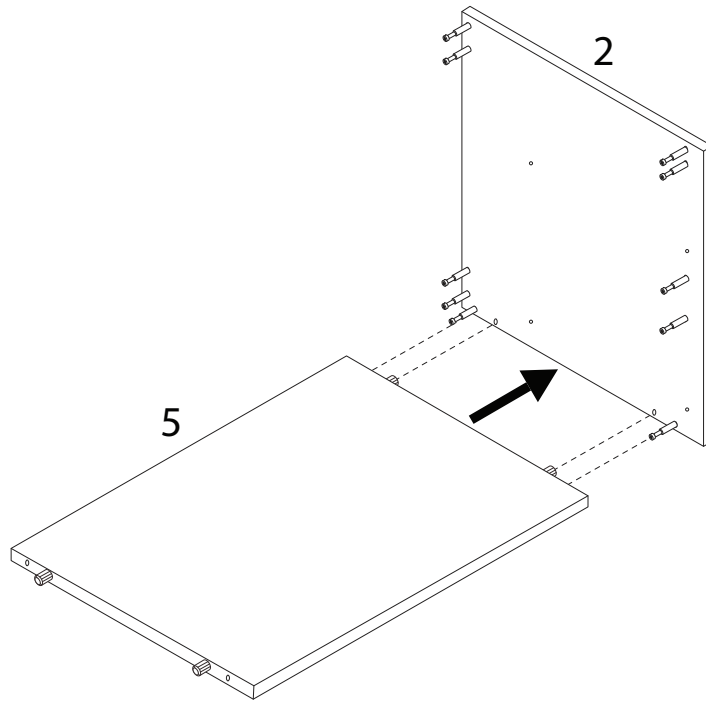
1



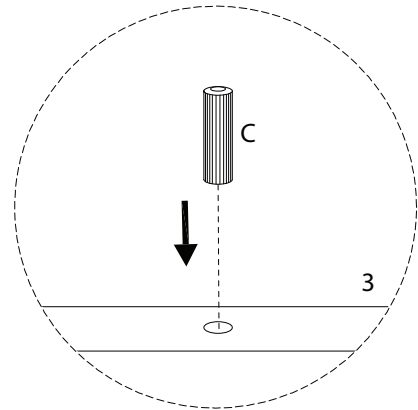
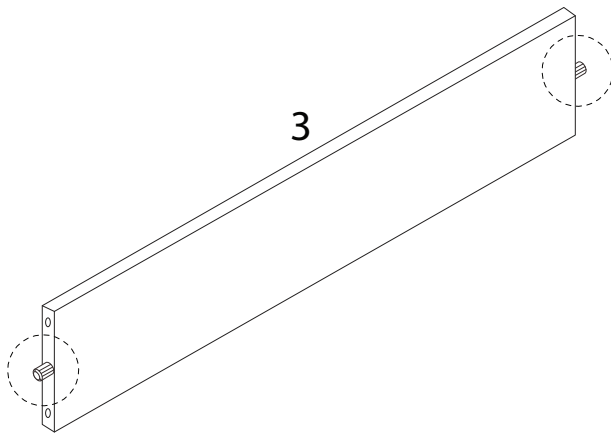
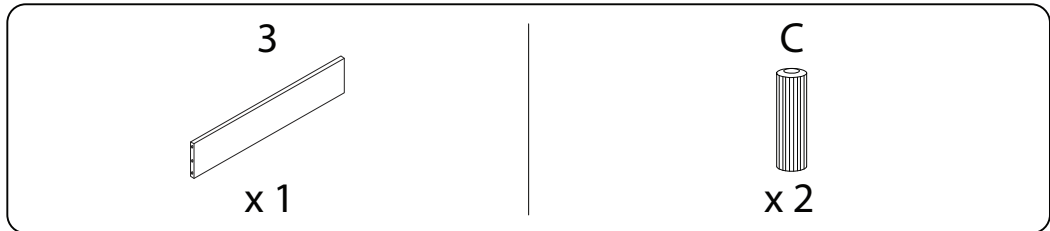
2



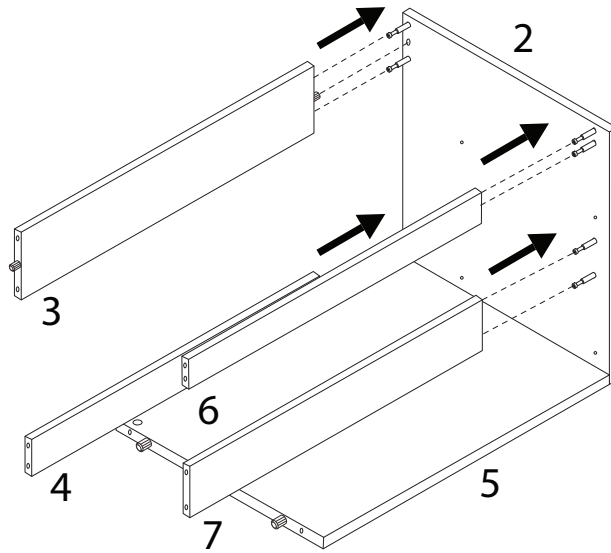
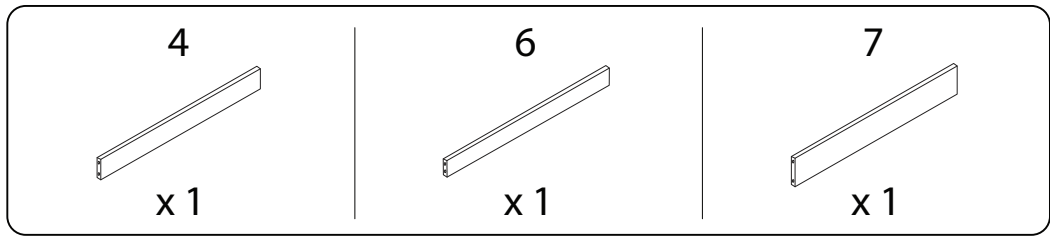
3



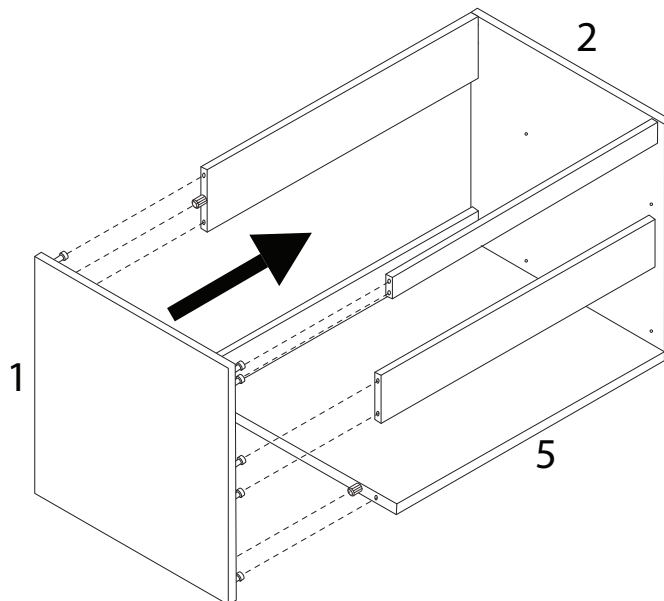
4



5

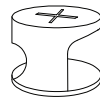


6

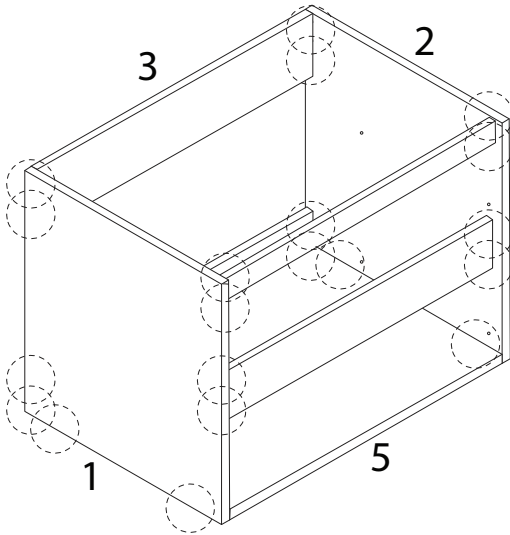


7

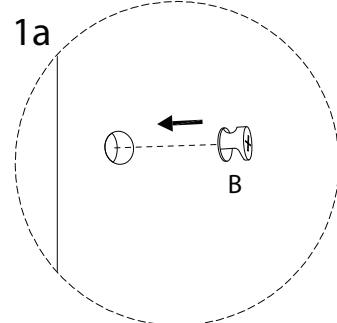
B



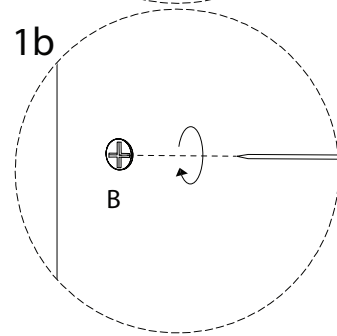
x 20



1a

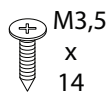


1b



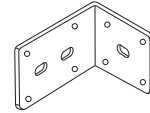
8

D

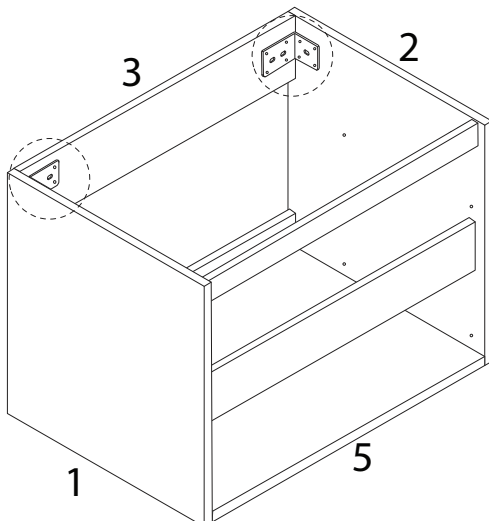


x 16

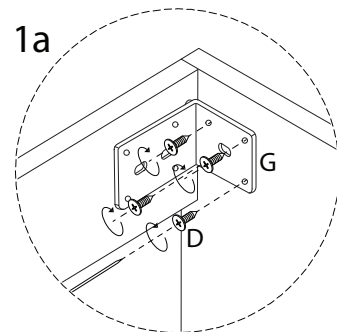
G



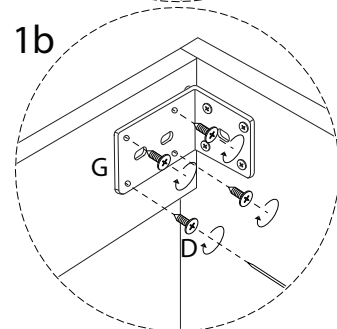
x 2



1a



1b



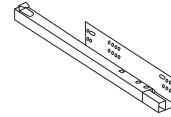
9

D

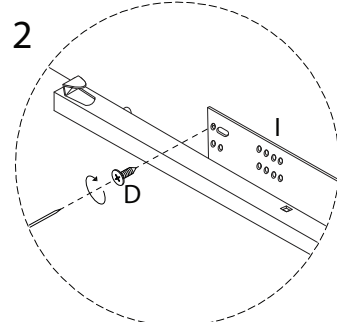
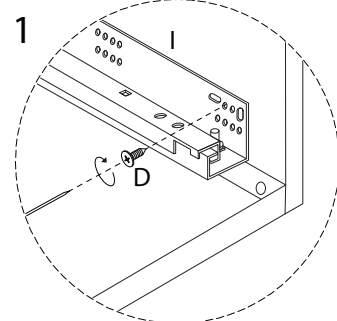
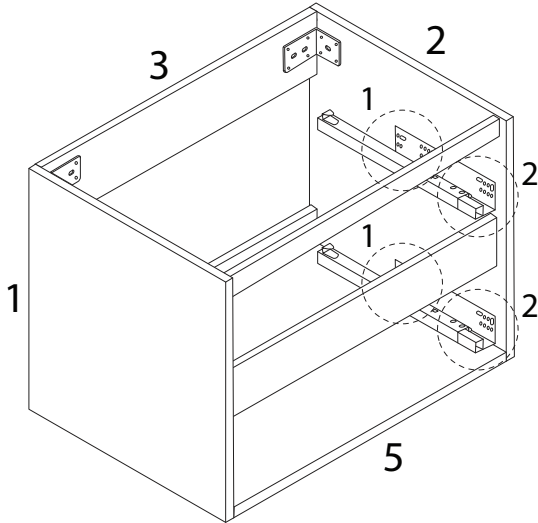


x 4

I

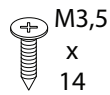


x 2



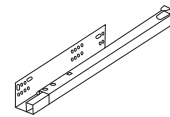
10

D

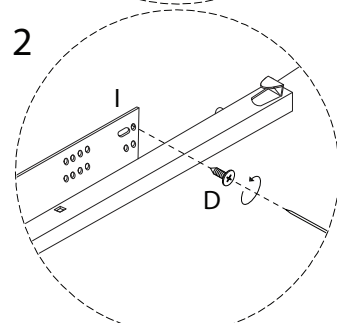
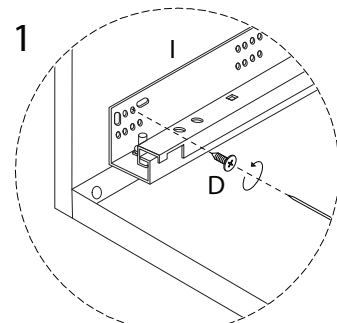
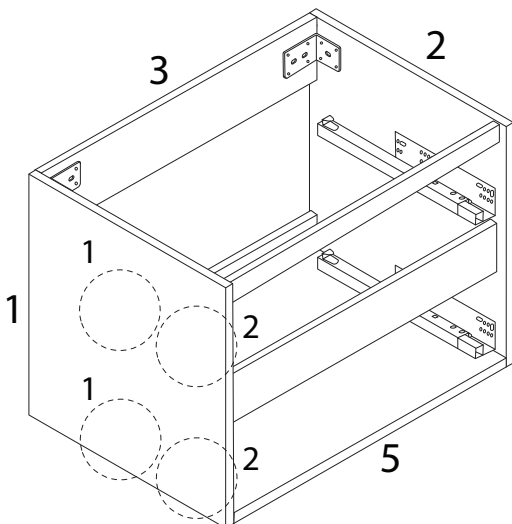


x 4

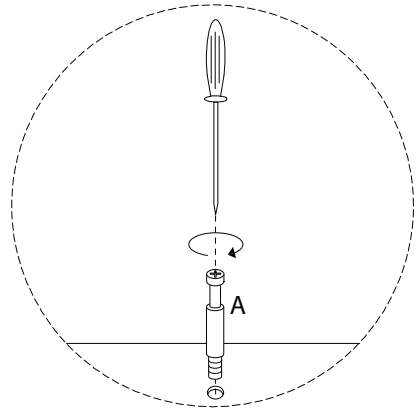
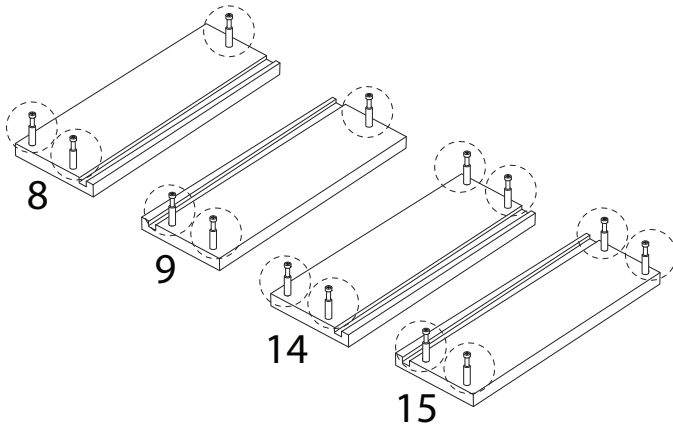
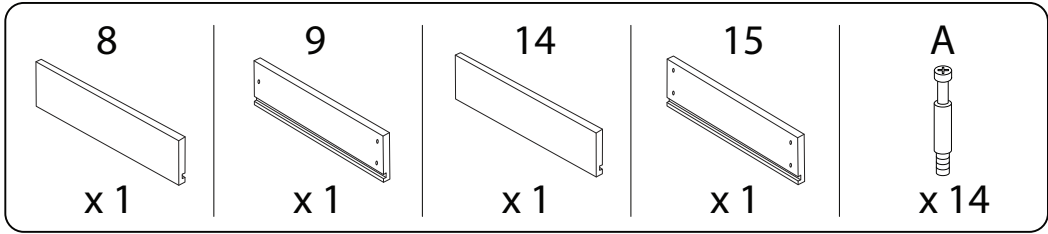
H



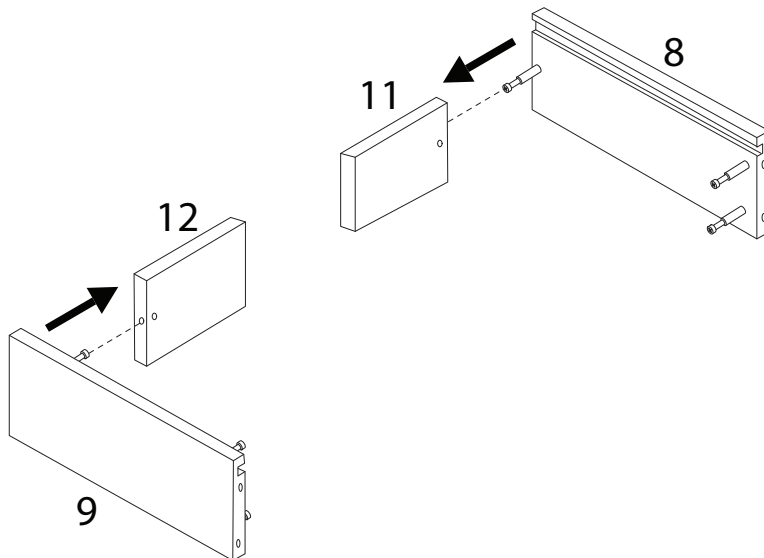
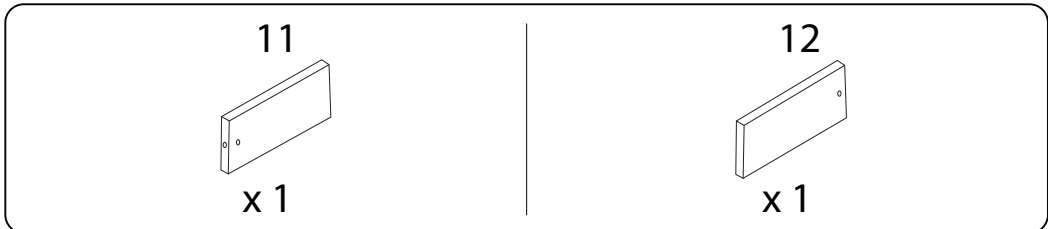
x 2



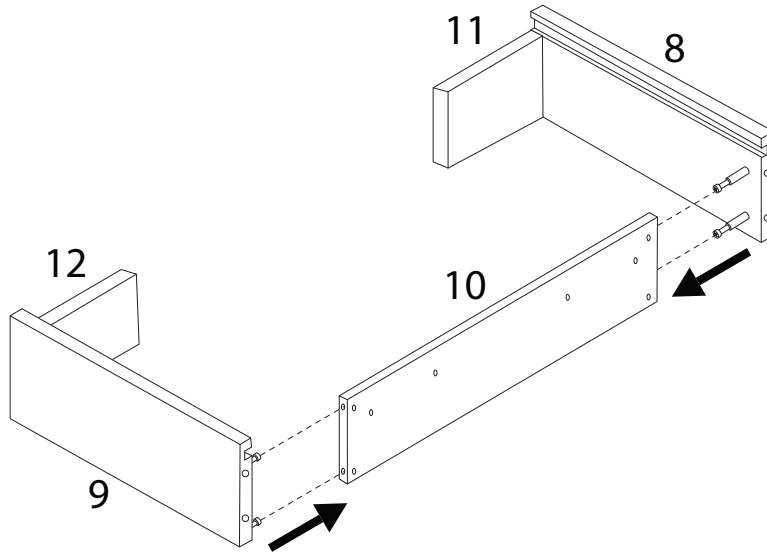
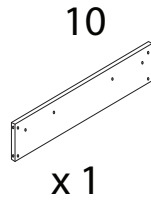
11



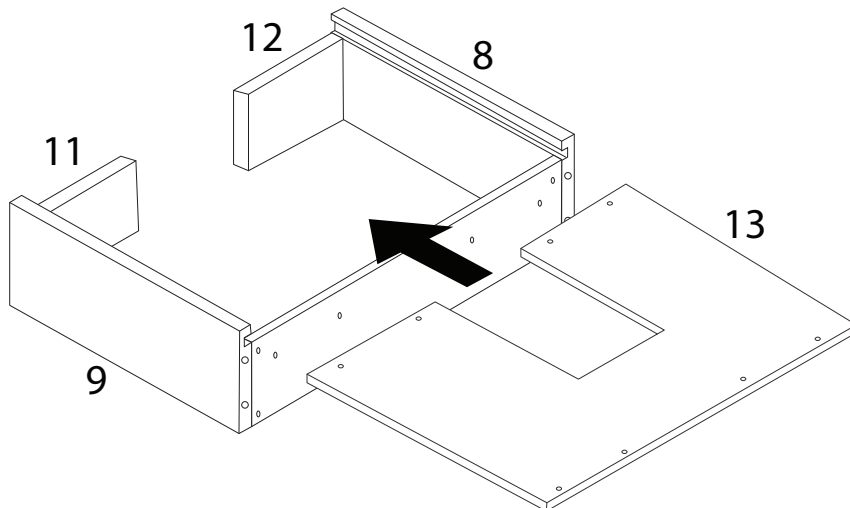
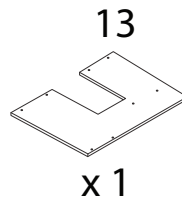
12



13



14

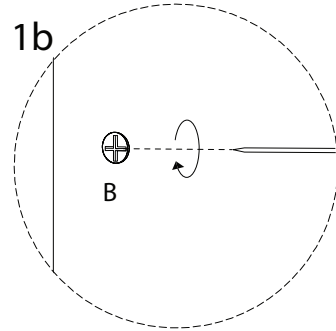
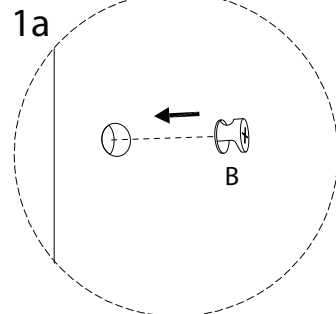
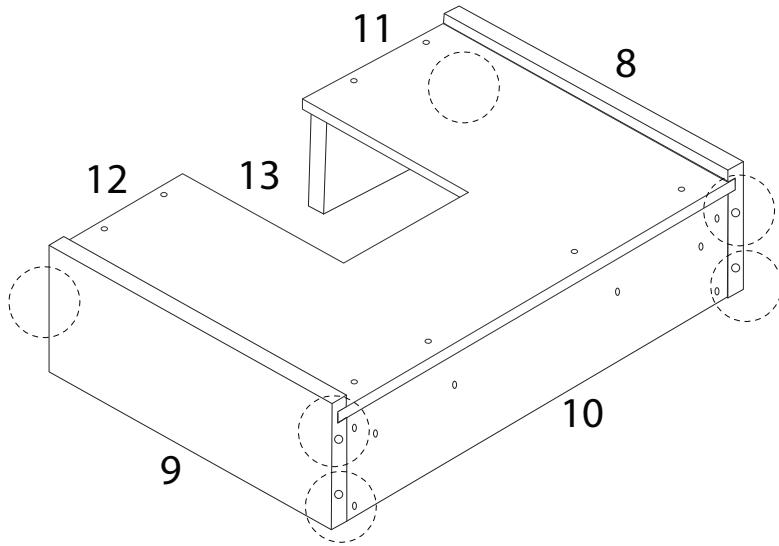


15

B



x 6

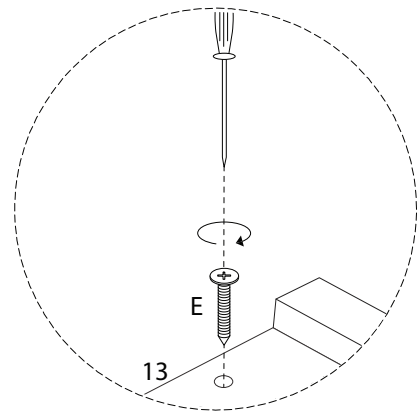
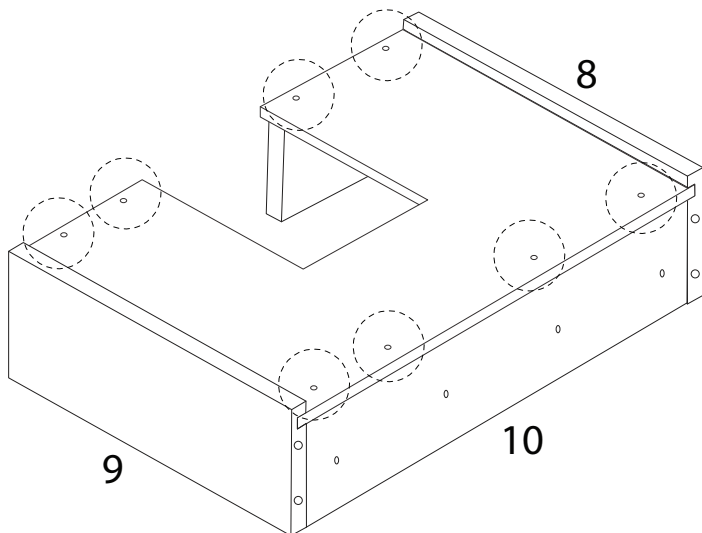


16

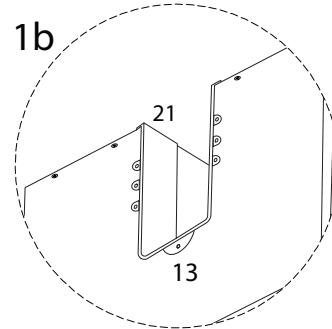
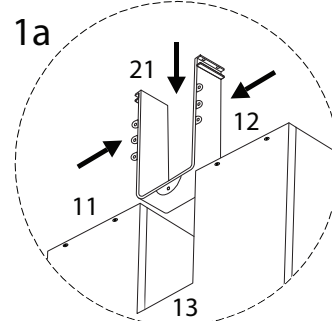
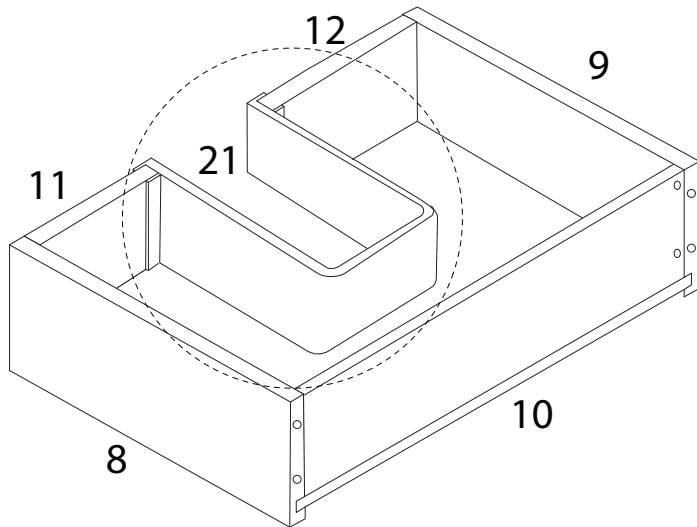
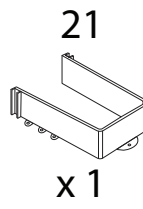
E



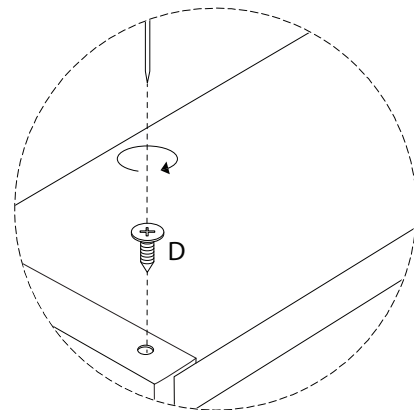
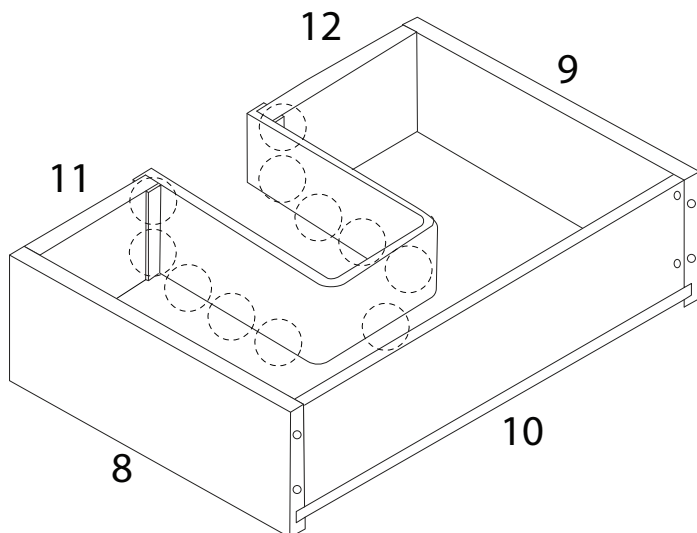
x 8



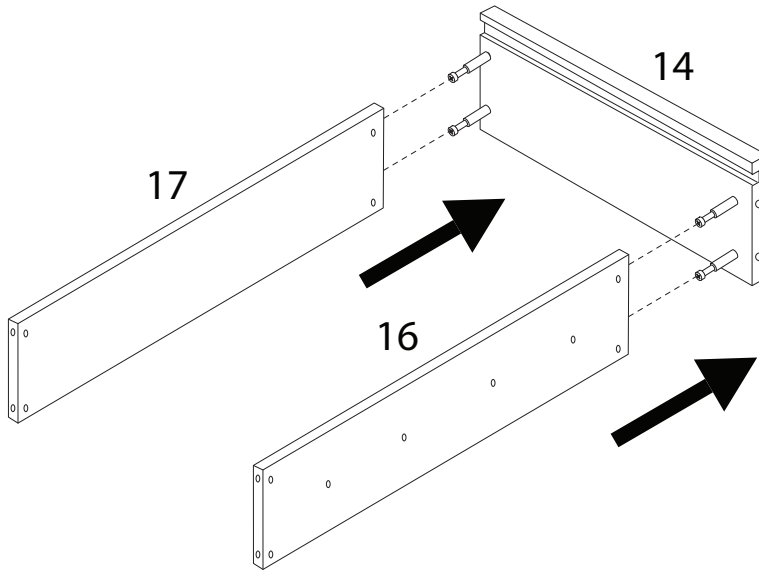
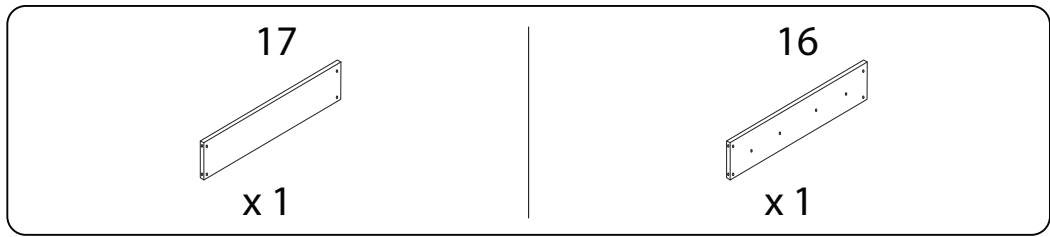
17



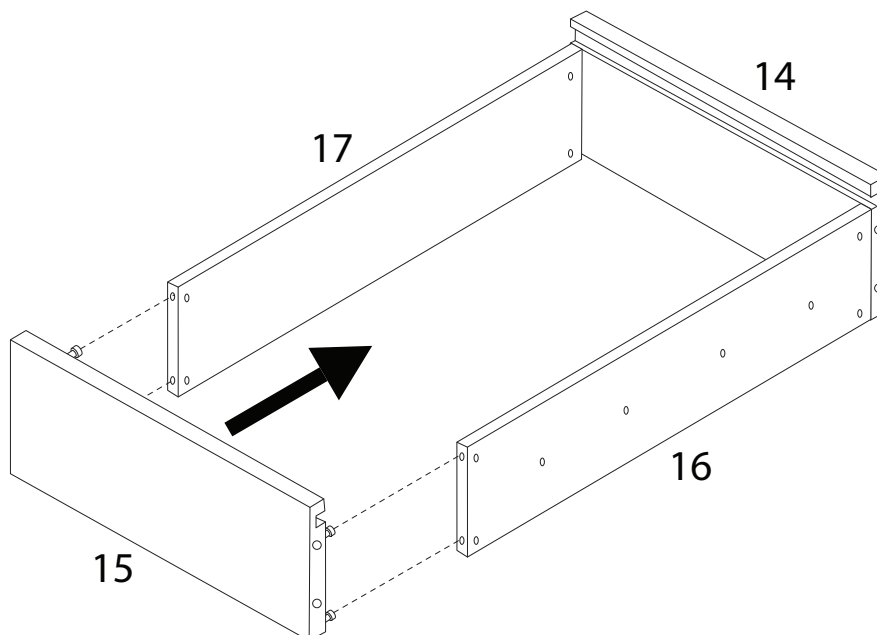
18



19

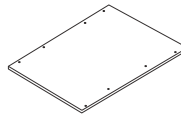


20

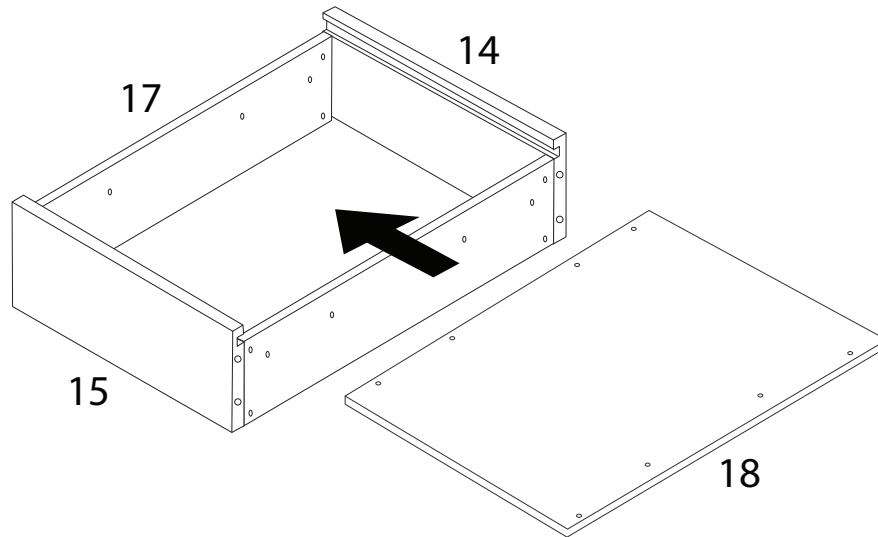


21

18



x 1

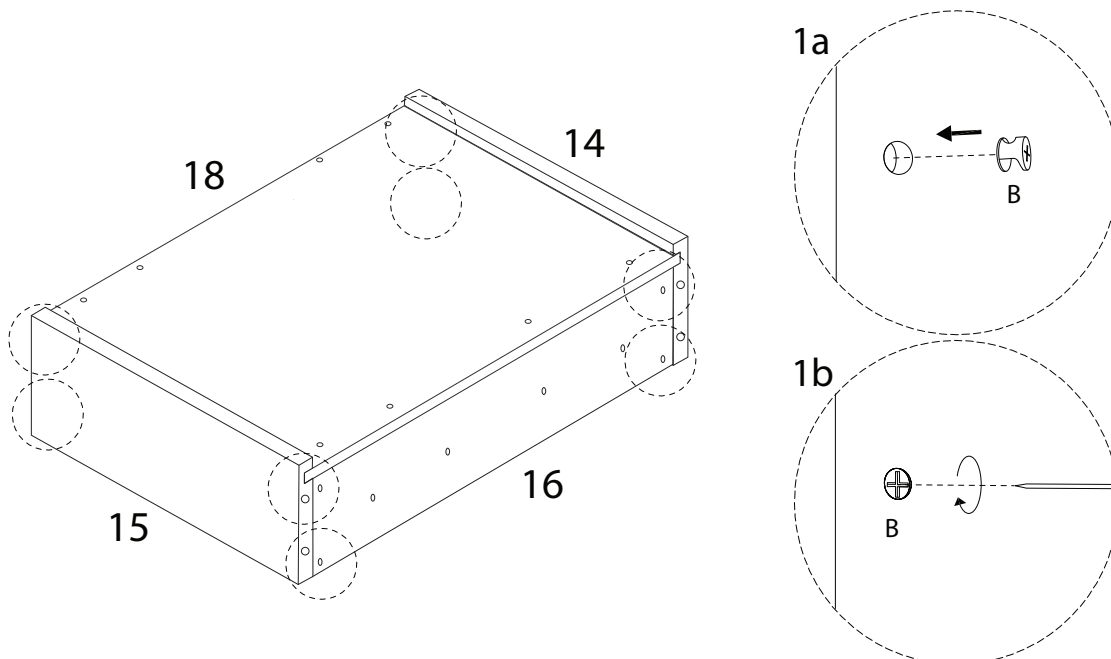


22

B

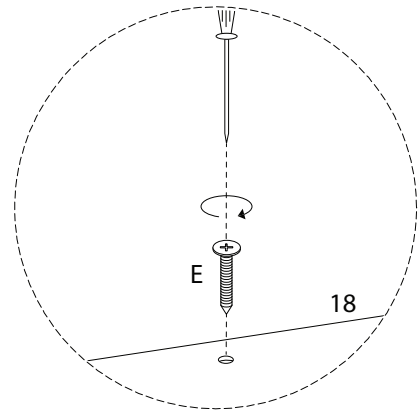
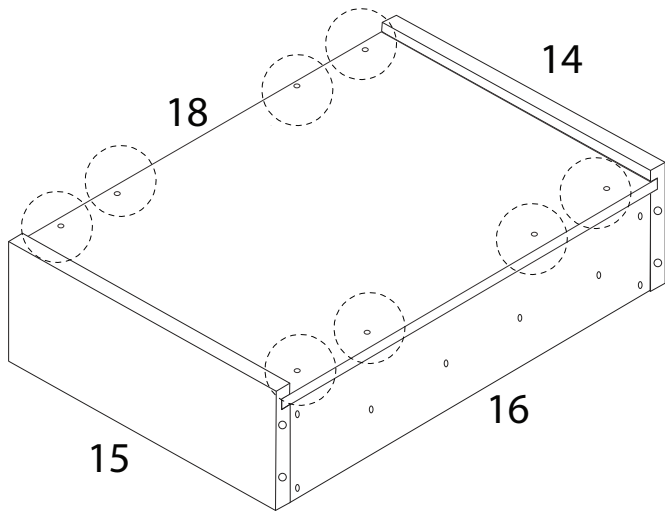


x 8

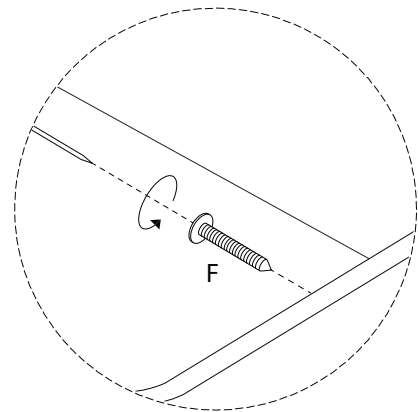
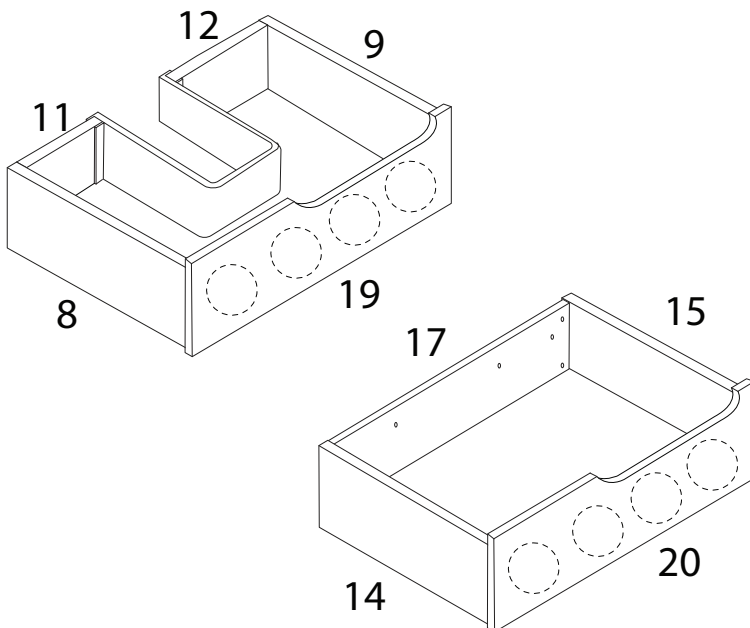
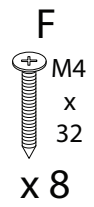
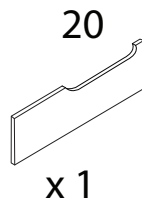
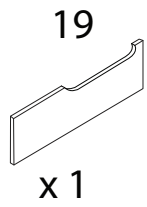


23

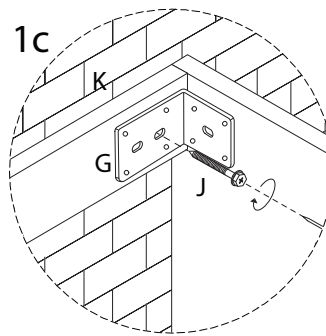
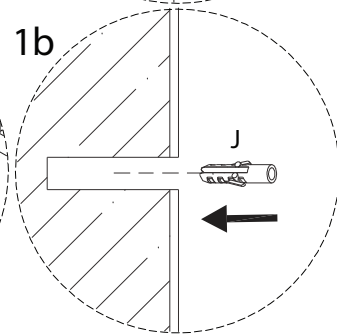
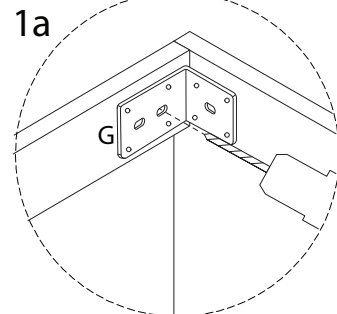
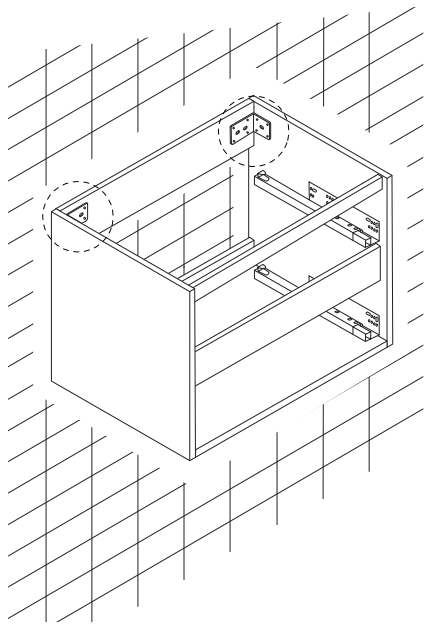
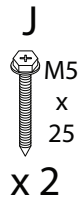
E
M4
x
24
x 8



24

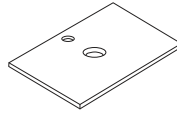


25

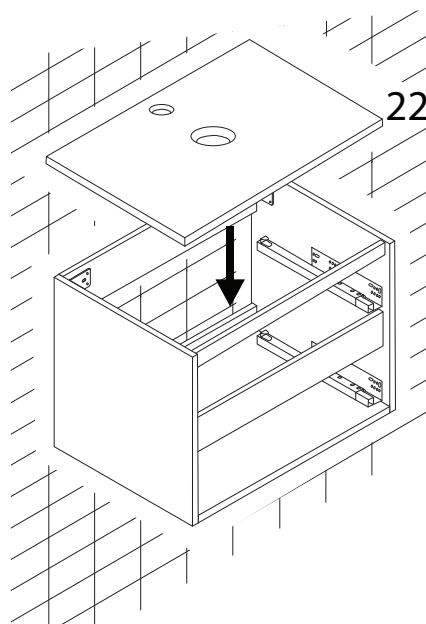


26

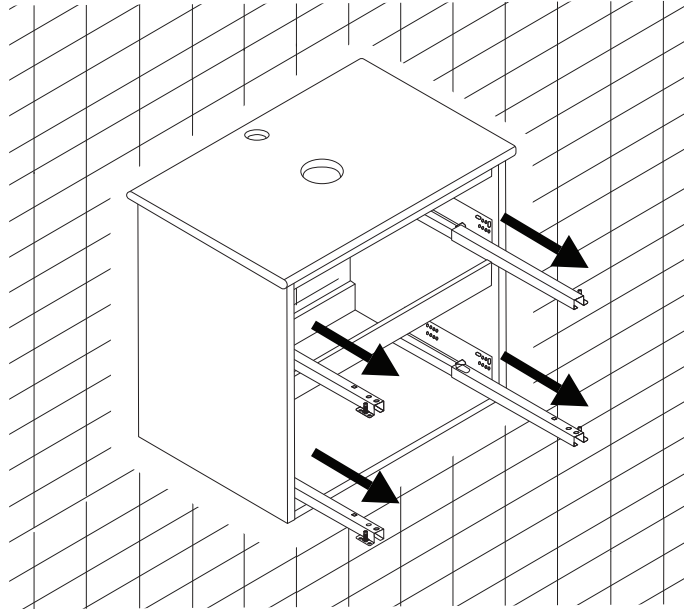
22



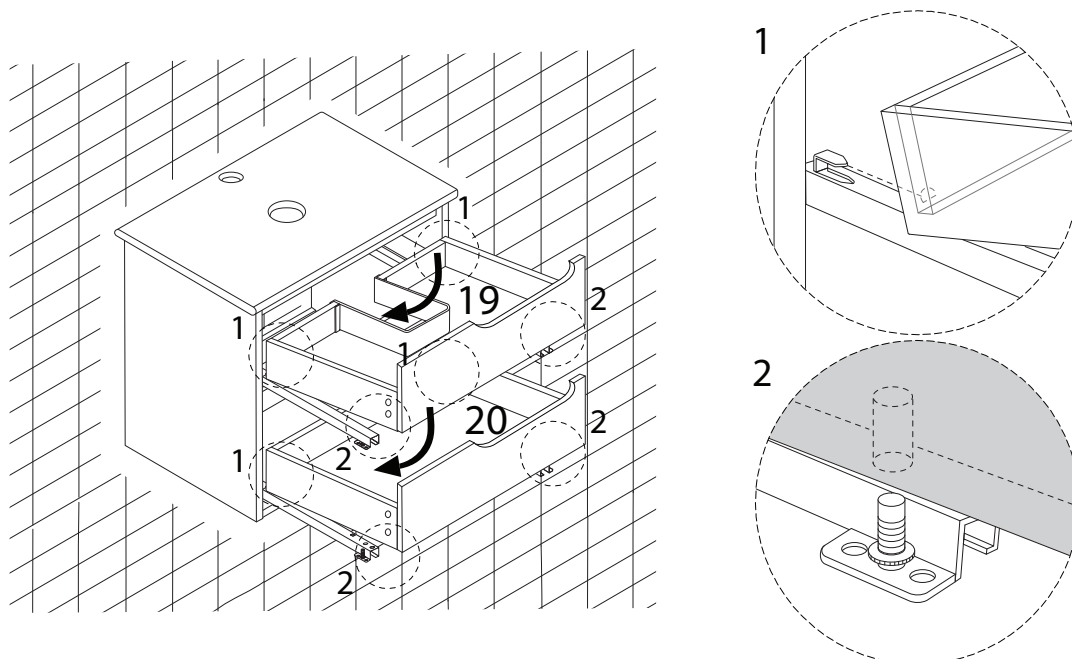
x 1



27



28



29

D

M3.5
x
14

x 8

