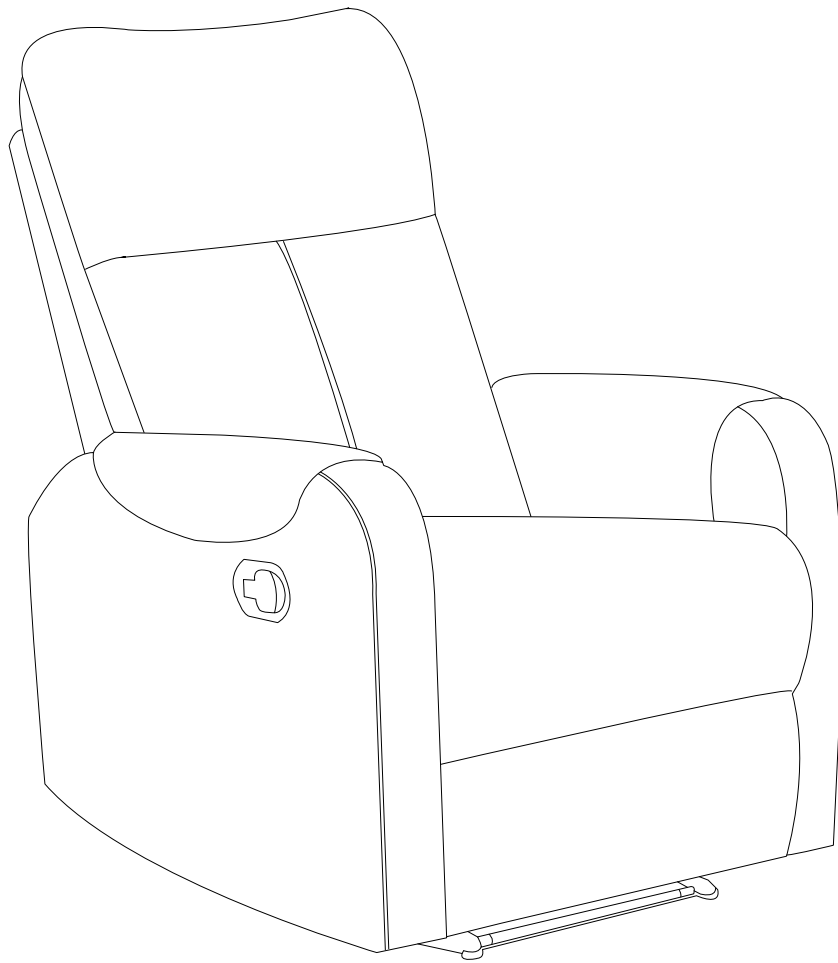
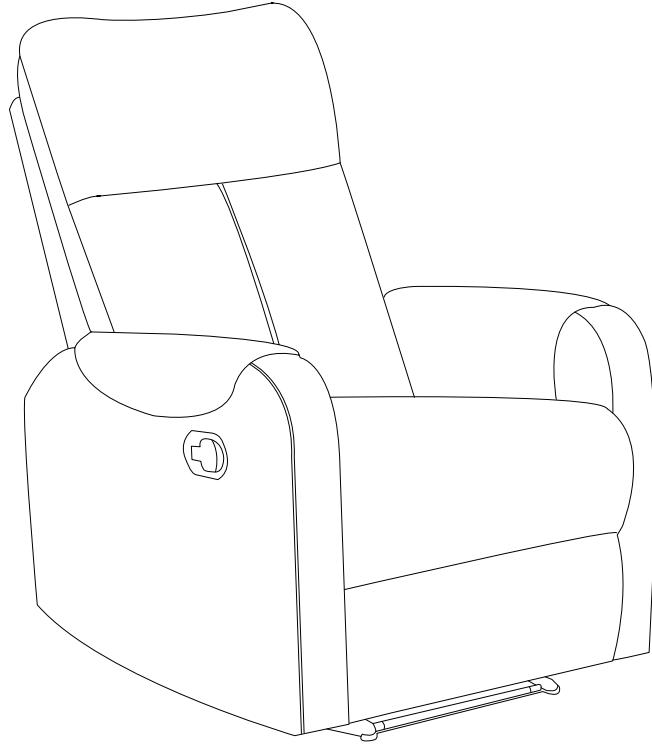
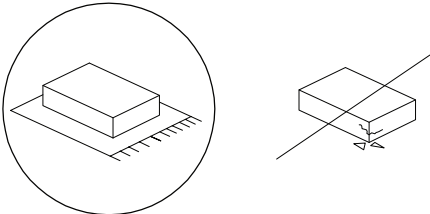

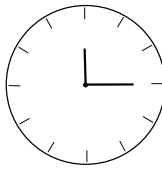
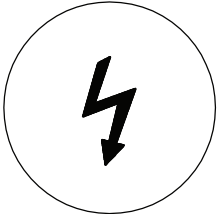
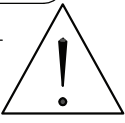
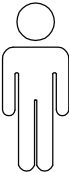
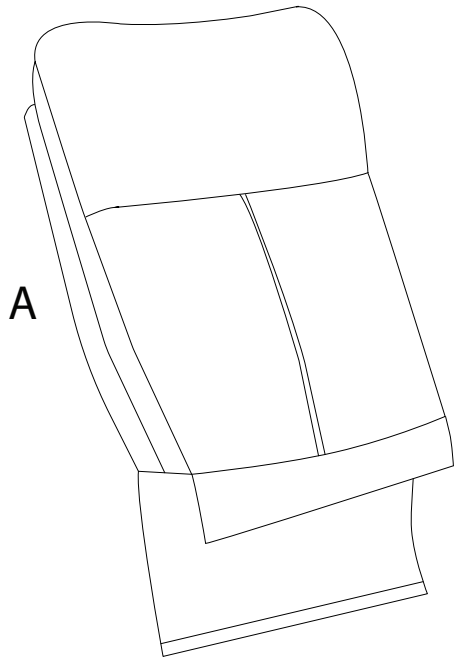


SOMERO

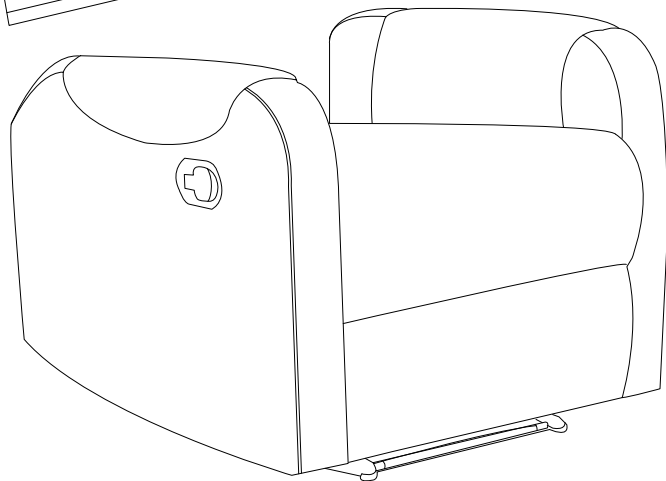




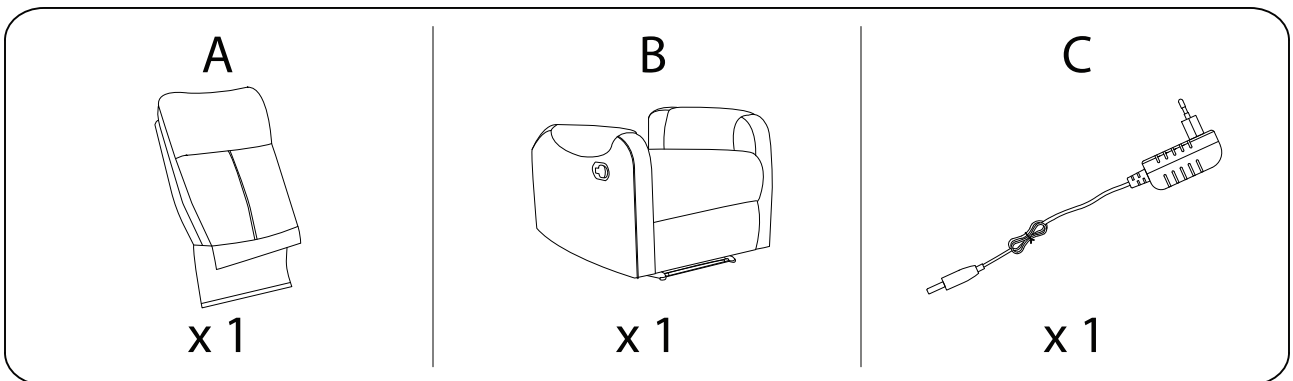
		
		<p>15'</p>
		
		<p>1</p>



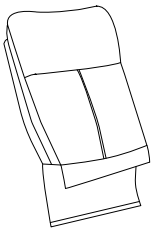
A



B

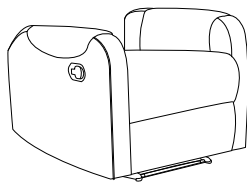


A



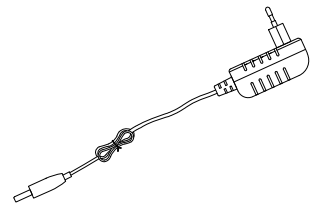
x 1

B



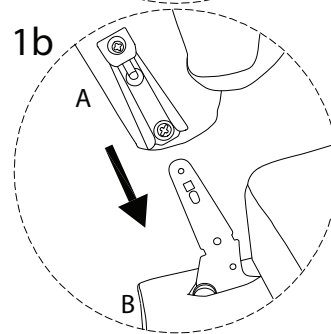
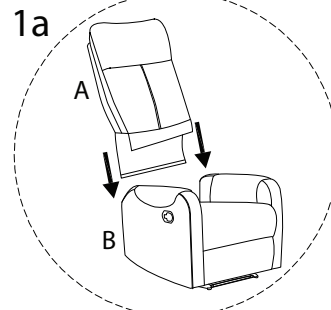
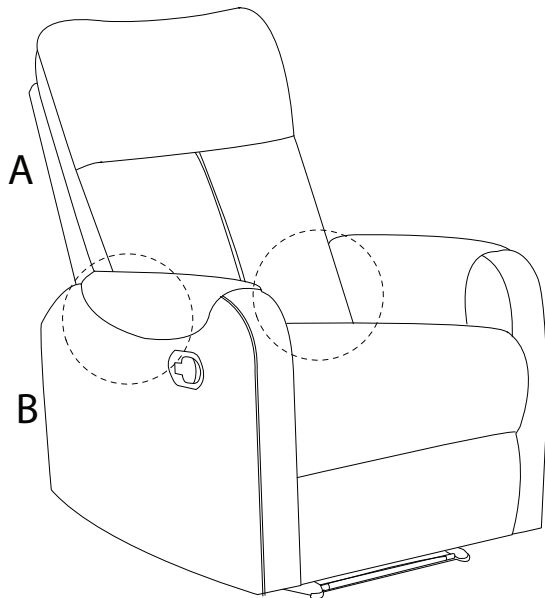
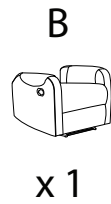
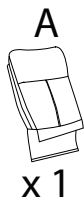
x 1

C

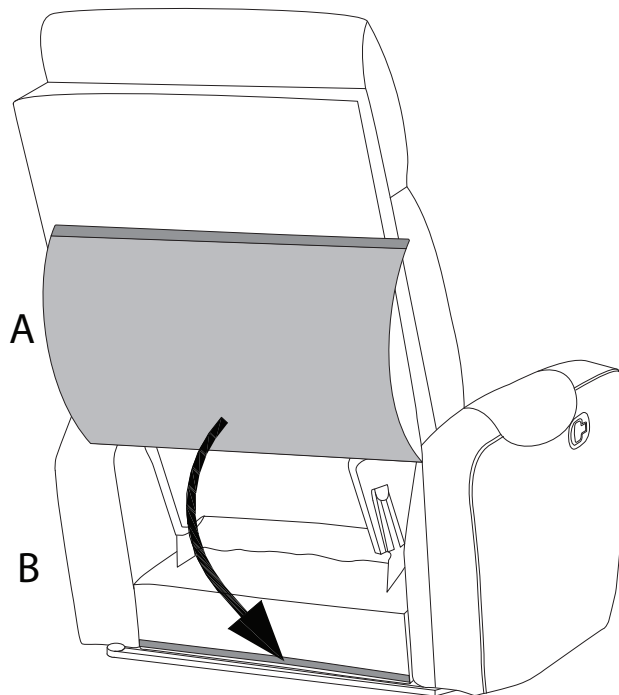


x 1

1

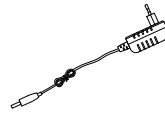


2

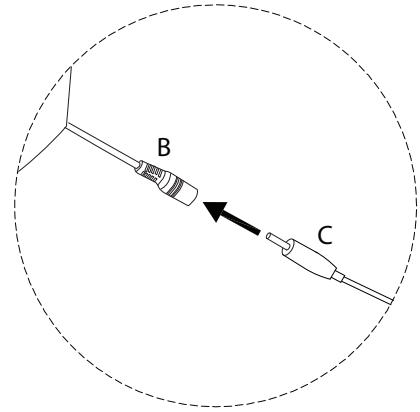
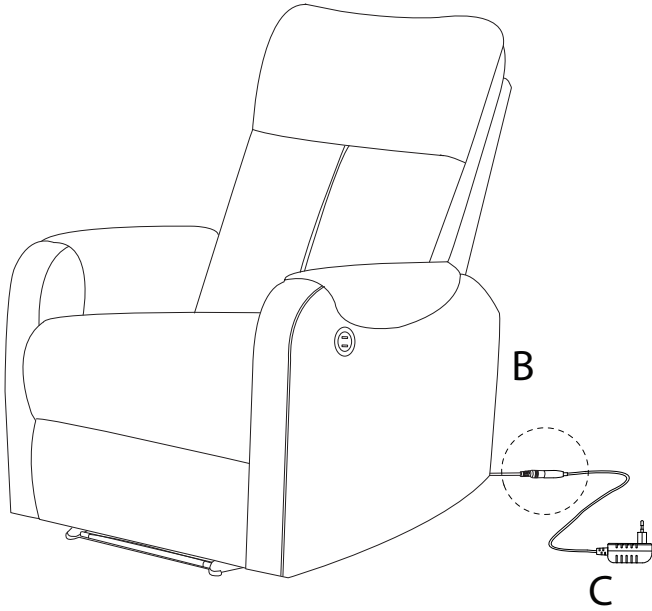


3

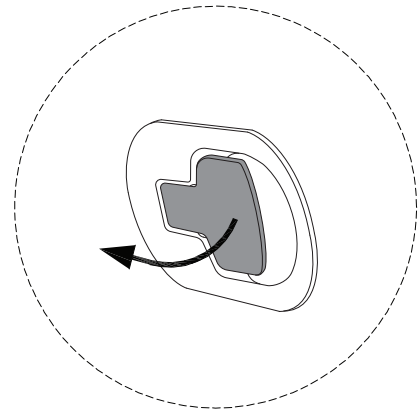
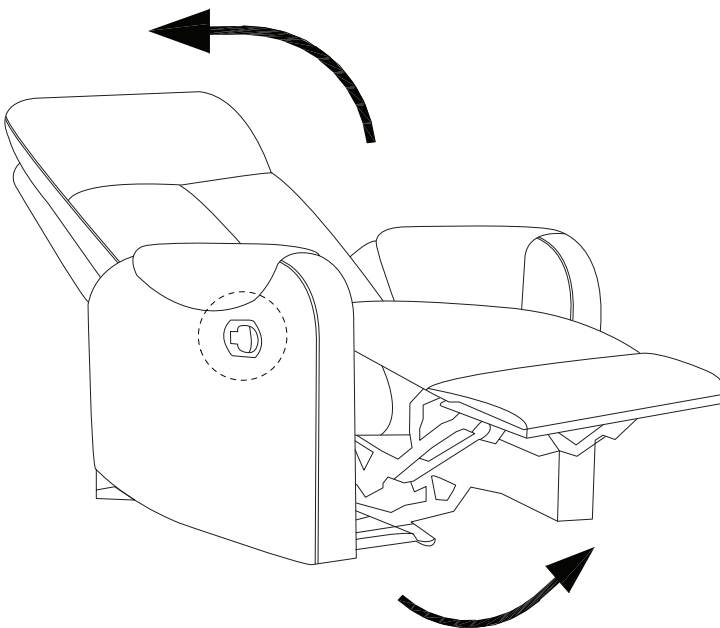
C



x 1



!



!

