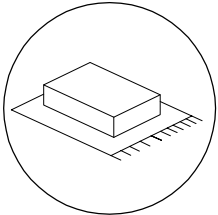
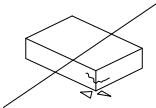
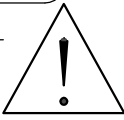

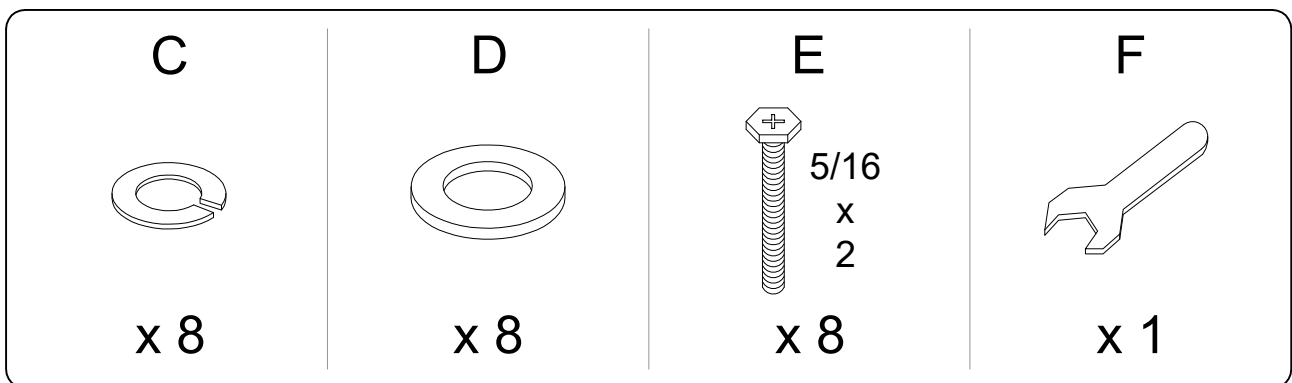
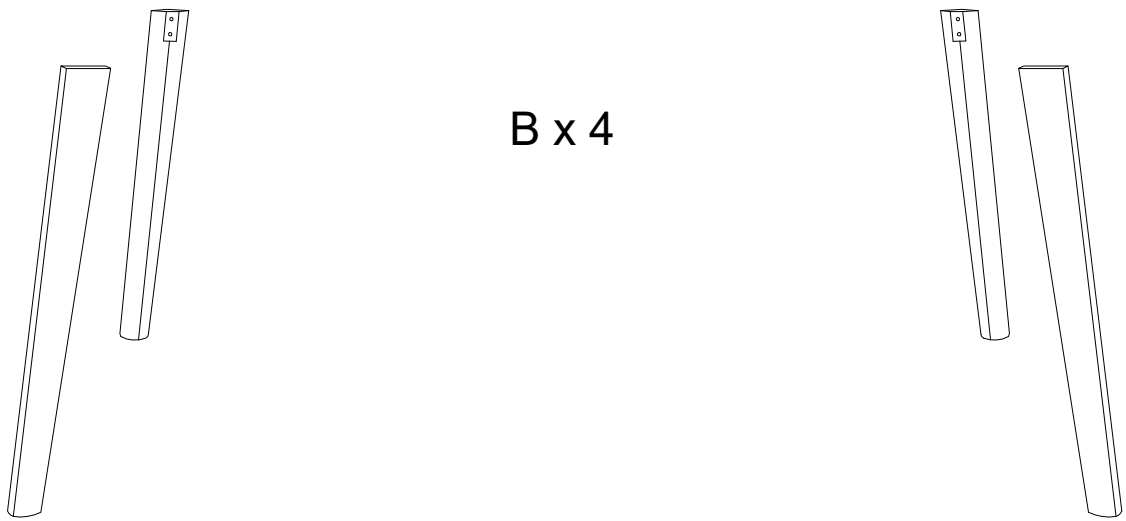
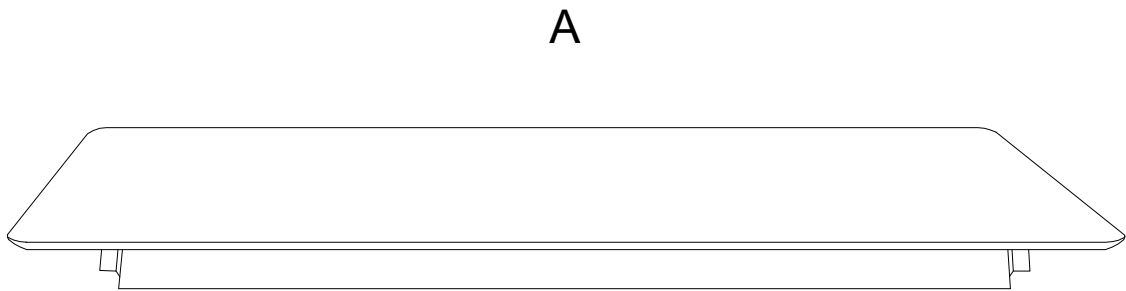
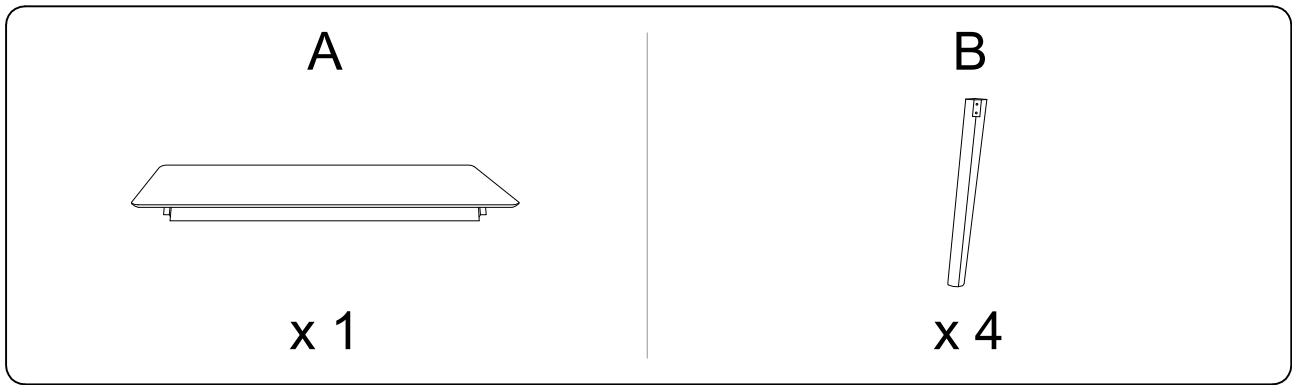
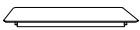



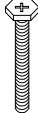
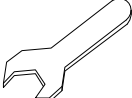

		15'
 		
		1



1

A  x 1	B  x 4	C  x 8	D  x 8	E  5/16 x 2 x 8	F  x 1
--	--	--	---	---	--

