

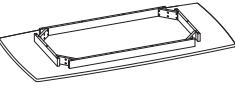
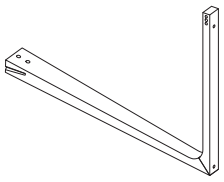
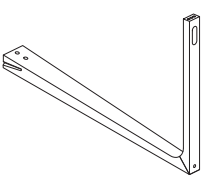
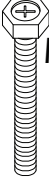
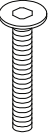
Assembly instructions for the table, including tool requirements, time, and personnel.

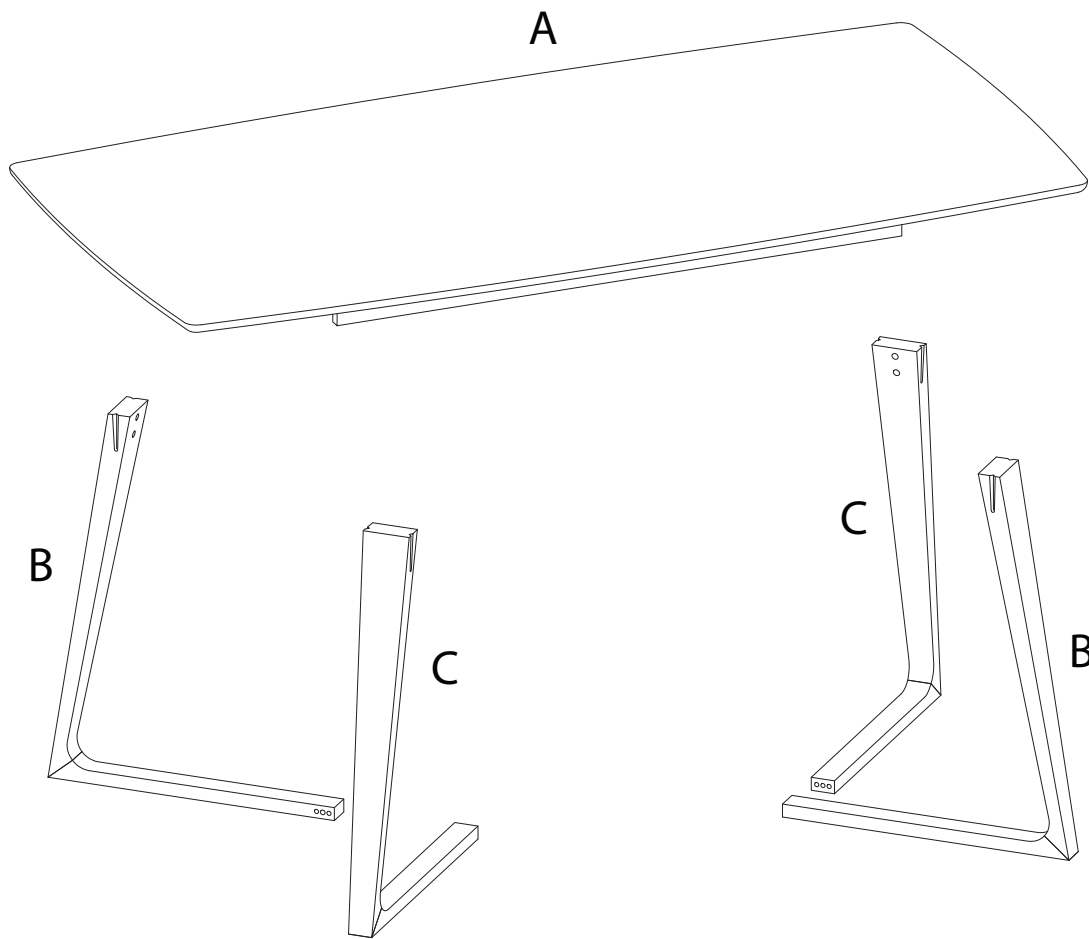
Tools: An icon shows an Allen key and a wrench inside a circle, and a power drill with a diagonal line through it, indicating that a power drill is not required.

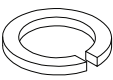
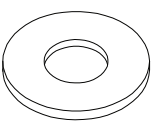
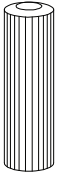
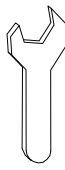
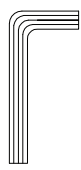
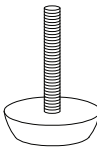
Warning: A warning triangle with an exclamation mark is shown next to the tool icons.

Time: A clock icon is shown next to the text "20'", indicating the estimated assembly time.

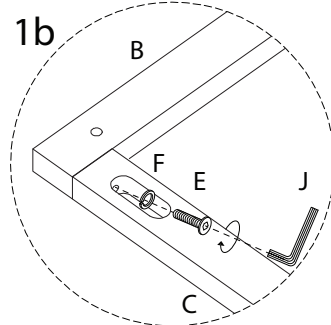
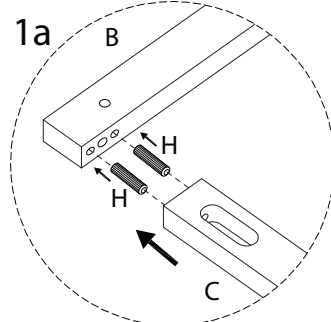
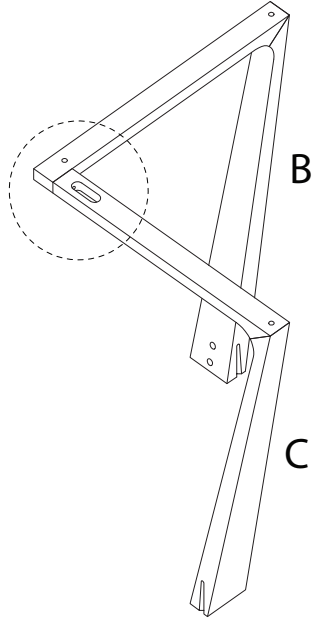
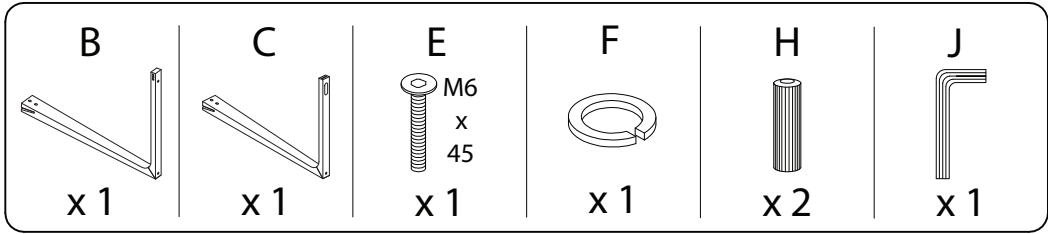
Personnel: An icon of a person is shown next to the text "2", indicating that two people are required for assembly.

<p style="text-align: center;">A</p>  <p style="text-align: center;">x 1</p>	<p style="text-align: center;">B</p>  <p style="text-align: center;">x 2</p>	<p style="text-align: center;">C</p>  <p style="text-align: center;">x 2</p>	<p style="text-align: center;">D</p>  <p style="text-align: center;">M8 x 50</p> <p style="text-align: center;">x 8</p>	<p style="text-align: center;">E</p>  <p style="text-align: center;">M6 x 45</p> <p style="text-align: center;">x 2</p>
---	---	---	---	---

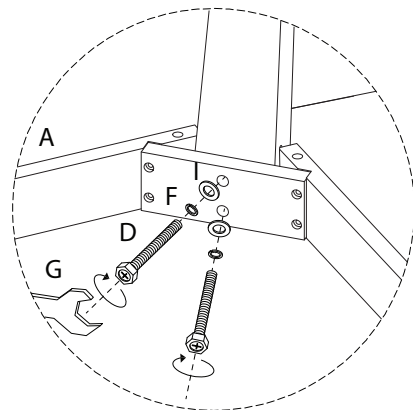
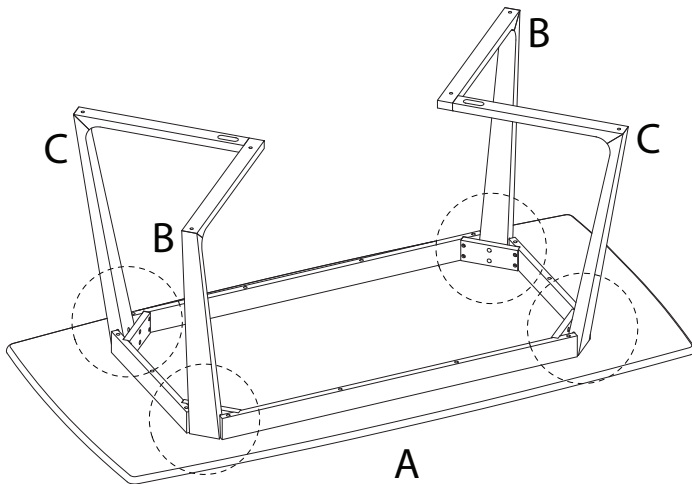
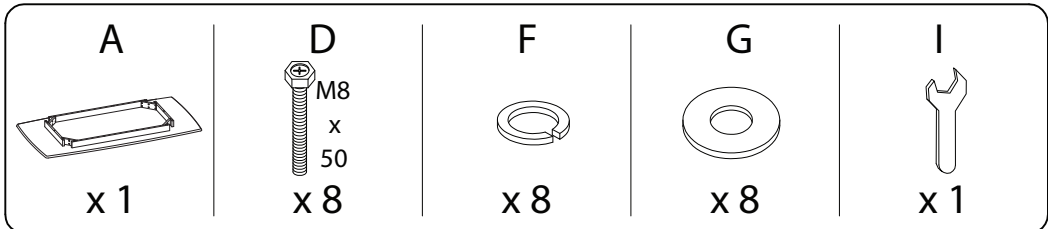


<p style="text-align: center;">F</p>  <p style="text-align: center;">x 10</p>	<p style="text-align: center;">G</p>  <p style="text-align: center;">x 8</p>	<p style="text-align: center;">H</p>  <p style="text-align: center;">x 4</p>	<p style="text-align: center;">I</p>  <p style="text-align: center;">x 1</p>	<p style="text-align: center;">J</p>  <p style="text-align: center;">x 1</p>	<p style="text-align: center;">K</p>  <p style="text-align: center;">x 6</p>
--	---	---	---	---	---

1 x 2



2



3

