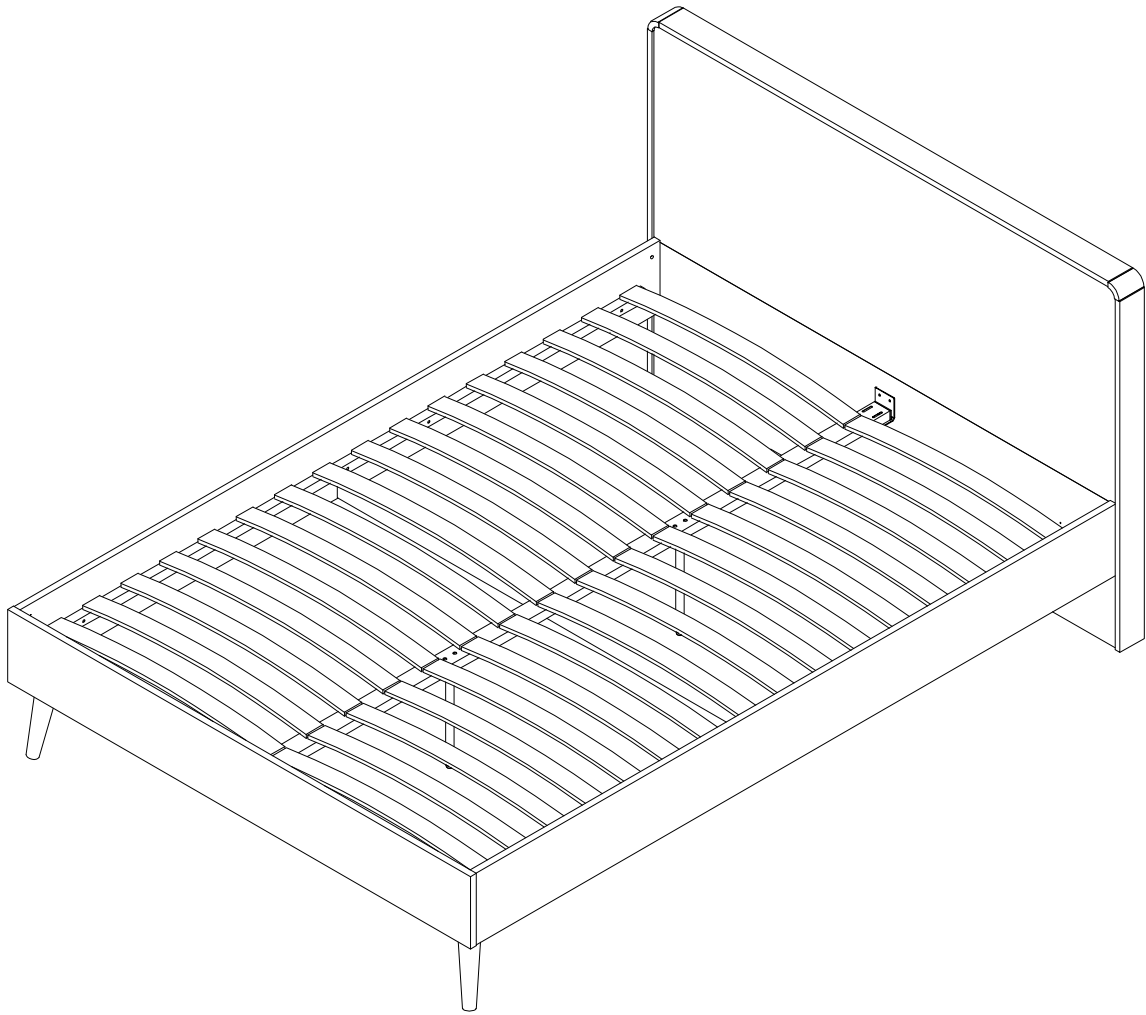
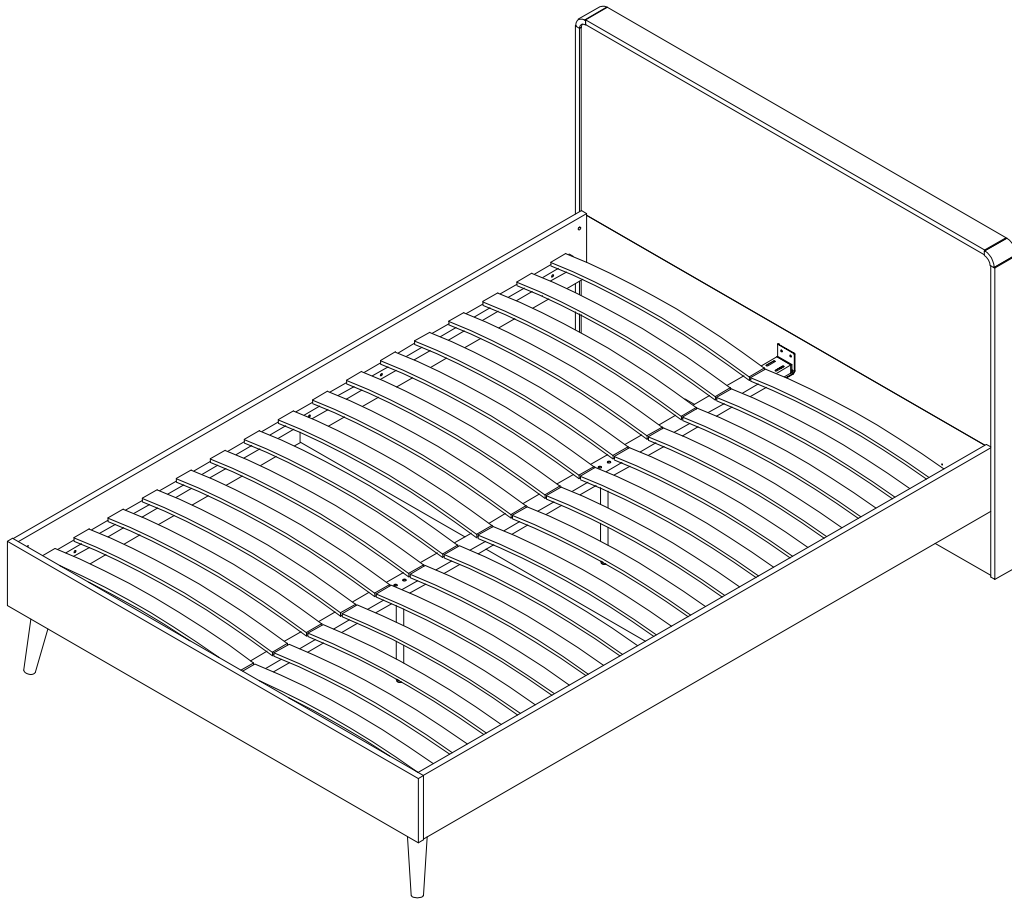


# SERRIS





Assembly instructions for the bed frame, including tool requirements, time estimate, and safety warnings.

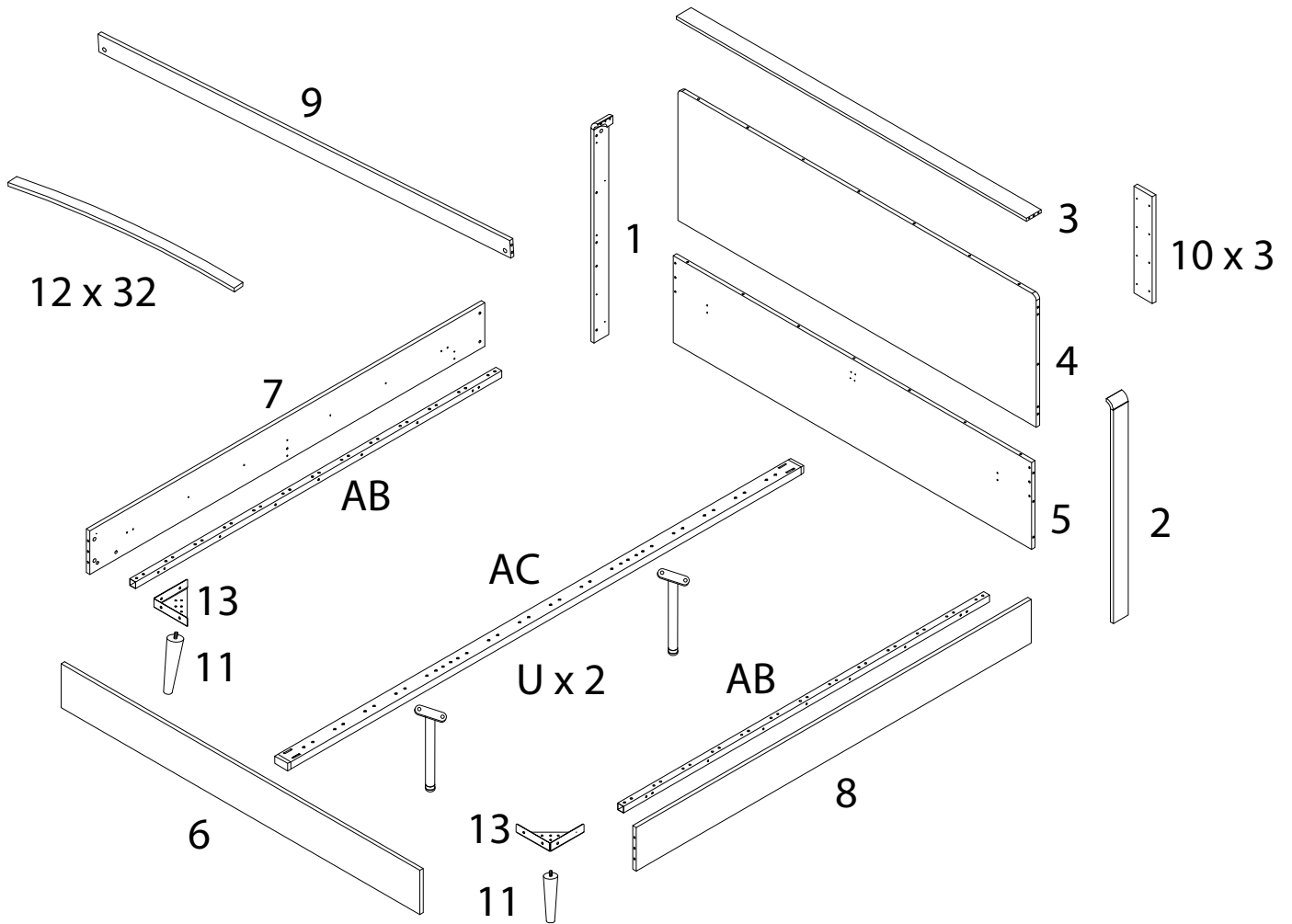
**Tools:** A circular icon contains a square, a screwdriver, and a mallet. A power drill is shown with a diagonal line through it, indicating it is not required.

**Time:** A clock icon is positioned above the text "60'", indicating the estimated assembly time.

**Warnings:** Two warning triangles (a triangle with an exclamation mark) are present. The first is connected to the tool icons, and the second is connected to the icon of a mattress being placed on the bed.

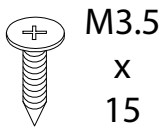
**Personnel:** An icon of a person is positioned above the number "2", indicating that two people are required for assembly.

1	2	3	4	5	6
x 1	x 1	x 1	x 1	x 1	x 1



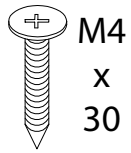
7	8	9	10	11	12	13
x 1	x 1	x 1	x 3	x 2	x 32	x 2

A



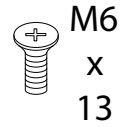
x 20

B



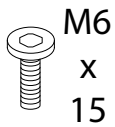
x 24

C



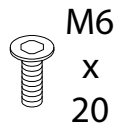
x 16

D



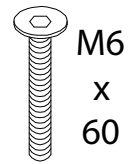
x 8

E



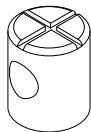
x 8

F



x 4

G



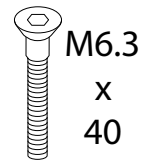
x 4

H



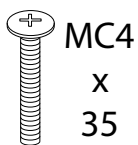
x 4

J



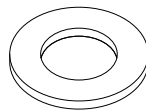
x 18

K



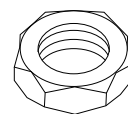
x 4

L



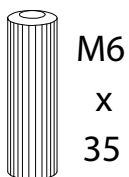
x 4

M



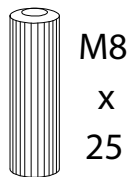
x 4

N



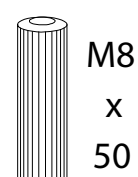
x 4

P



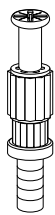
x 20

Q



x 7

R



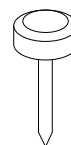
x 17

S



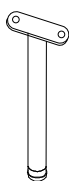
x 17

T



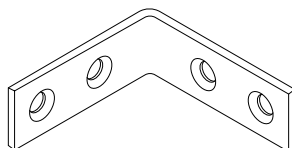
x 3

U



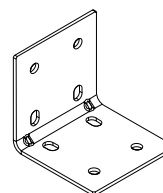
x 2

V



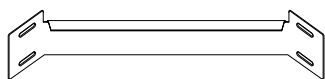
x 10

W



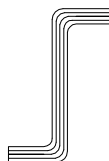
x 2

X



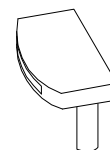
x 2

Y



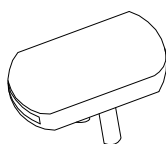
x 1

Z



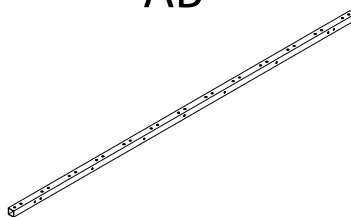
x 32

AA



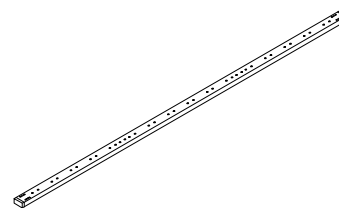
x 16

AB



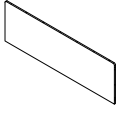
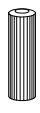

x 2

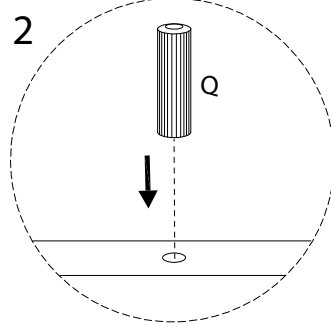
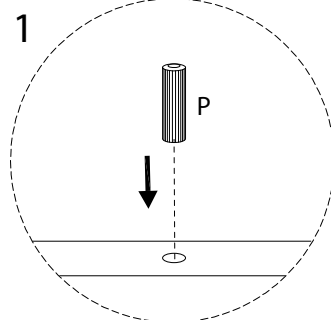
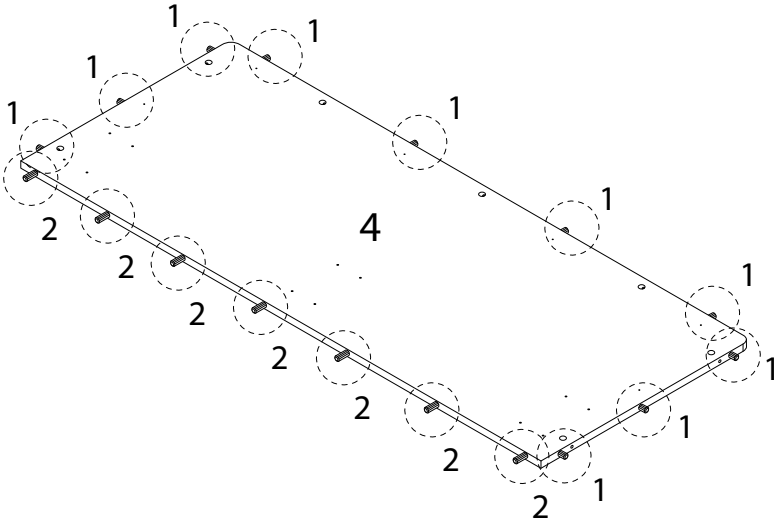
AC



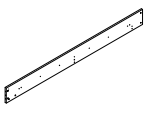
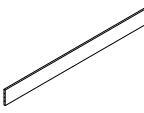
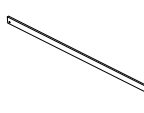

x 1

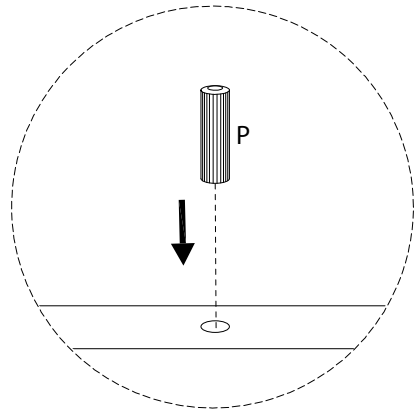
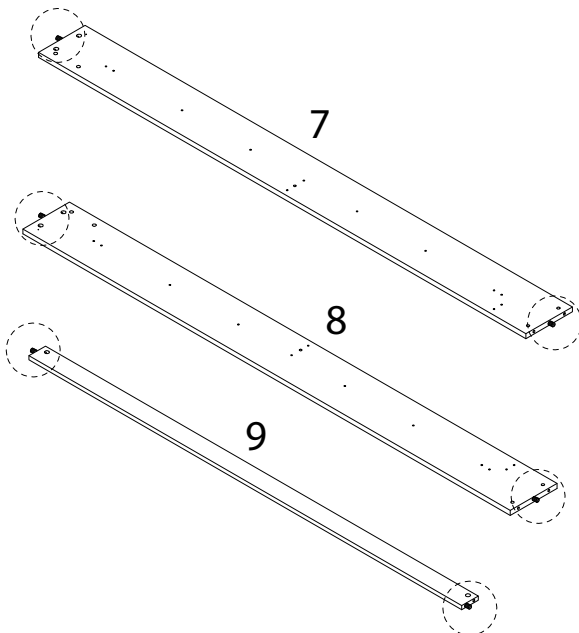
1

<p>4</p>  <p>x1</p>	<p>P</p>  <p>M8 x 25</p> <p>x10</p>	<p>Q</p>  <p>M8 x 50</p> <p>x7</p>
--	--	---



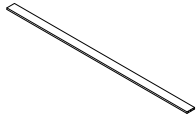
2

<p>7</p>  <p>x1</p>	<p>8</p>  <p>x1</p>	<p>9</p>  <p>x1</p>	<p>P</p>  <p>M8 x 25</p> <p>x6</p>
--	--	---	---



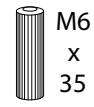
3

3



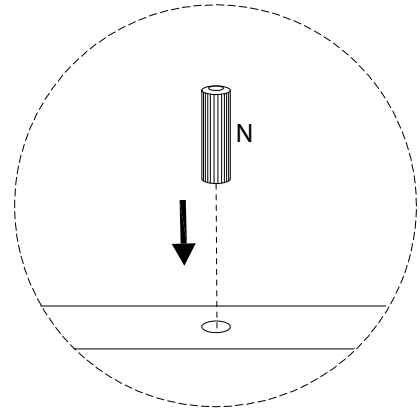
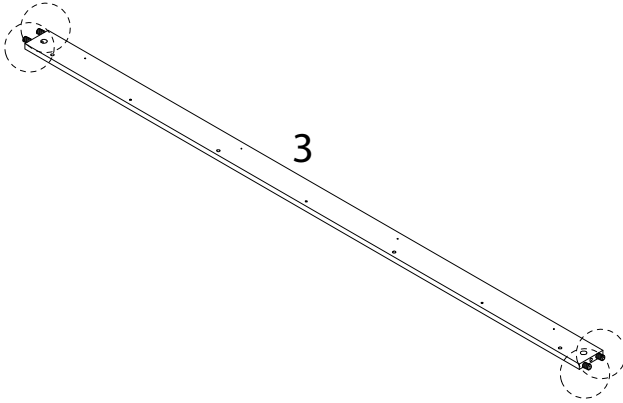
x 1

N



M6  
x  
35

x 4



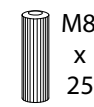
4

5



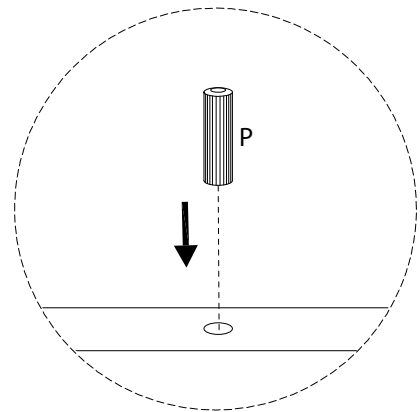
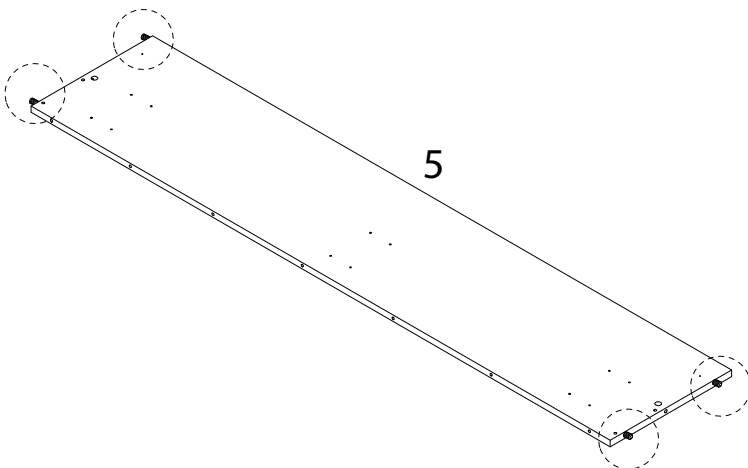
x 1

P

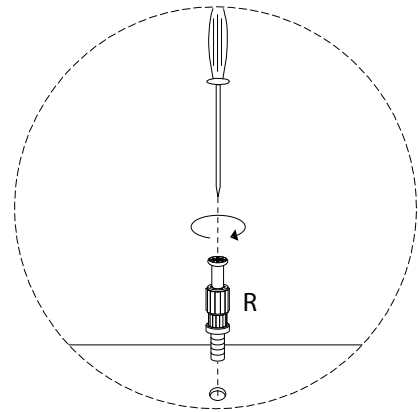
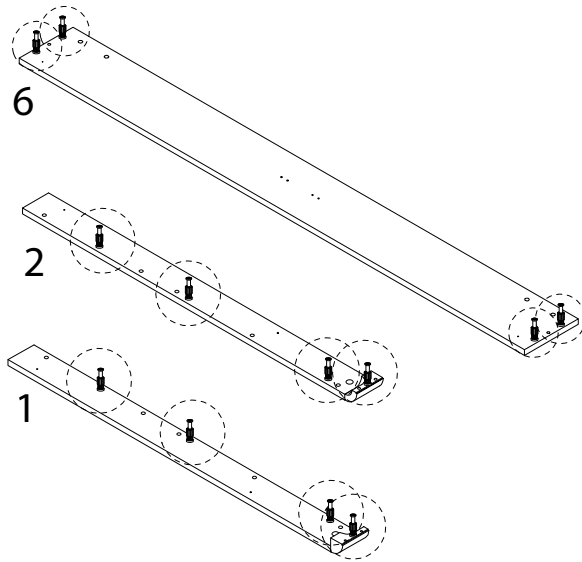
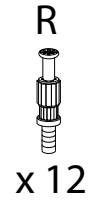
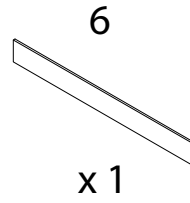


M8  
x  
25

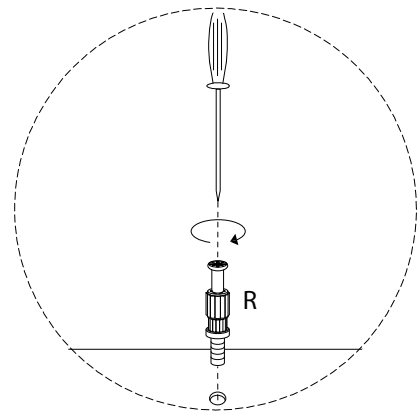
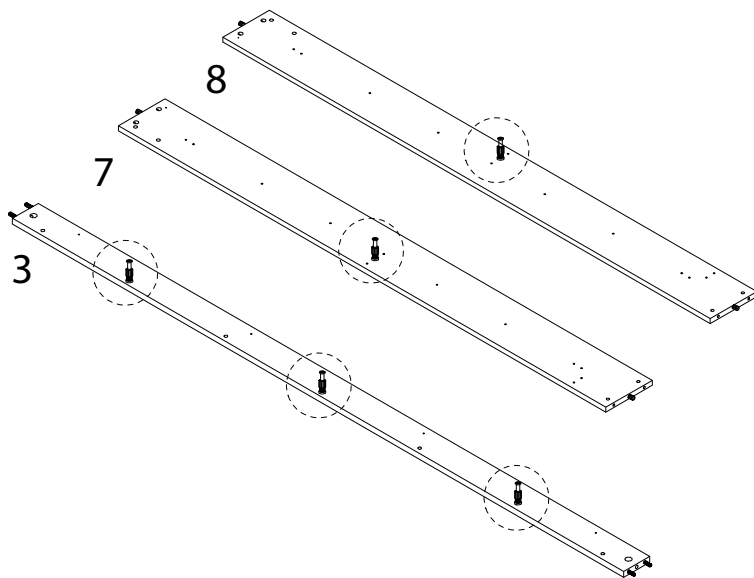
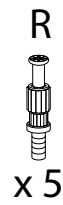
x 4



5

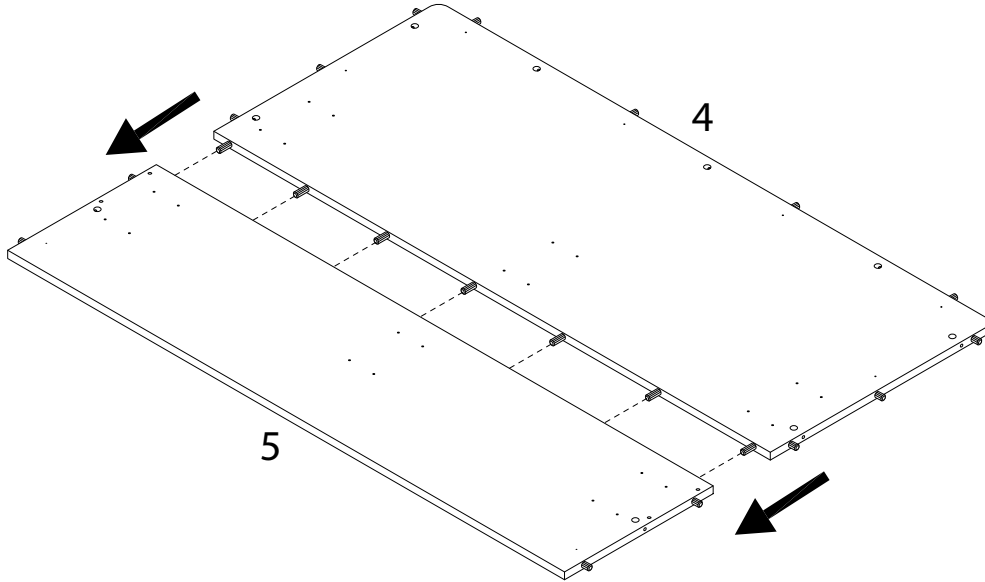


6

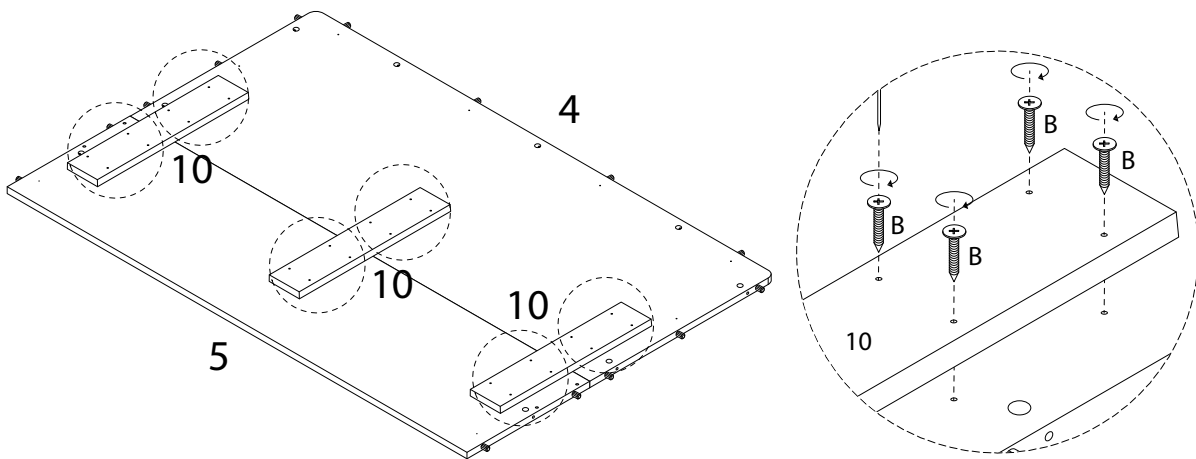
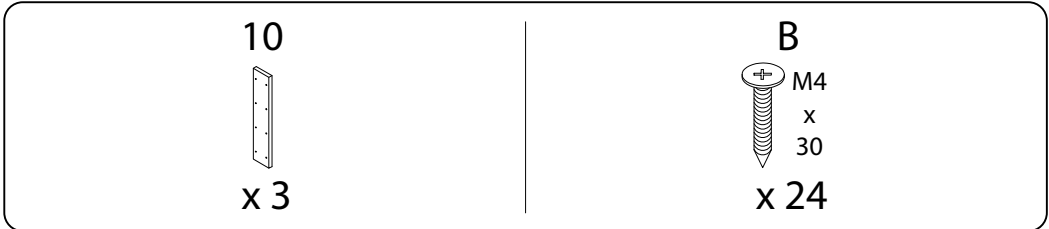




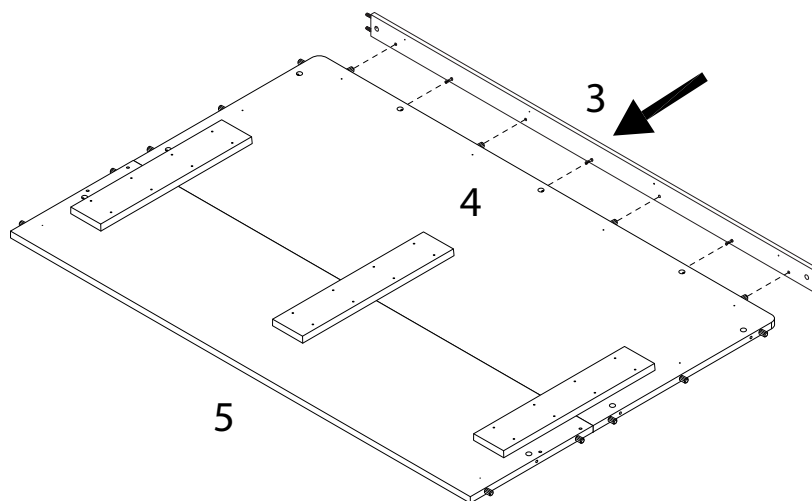
7



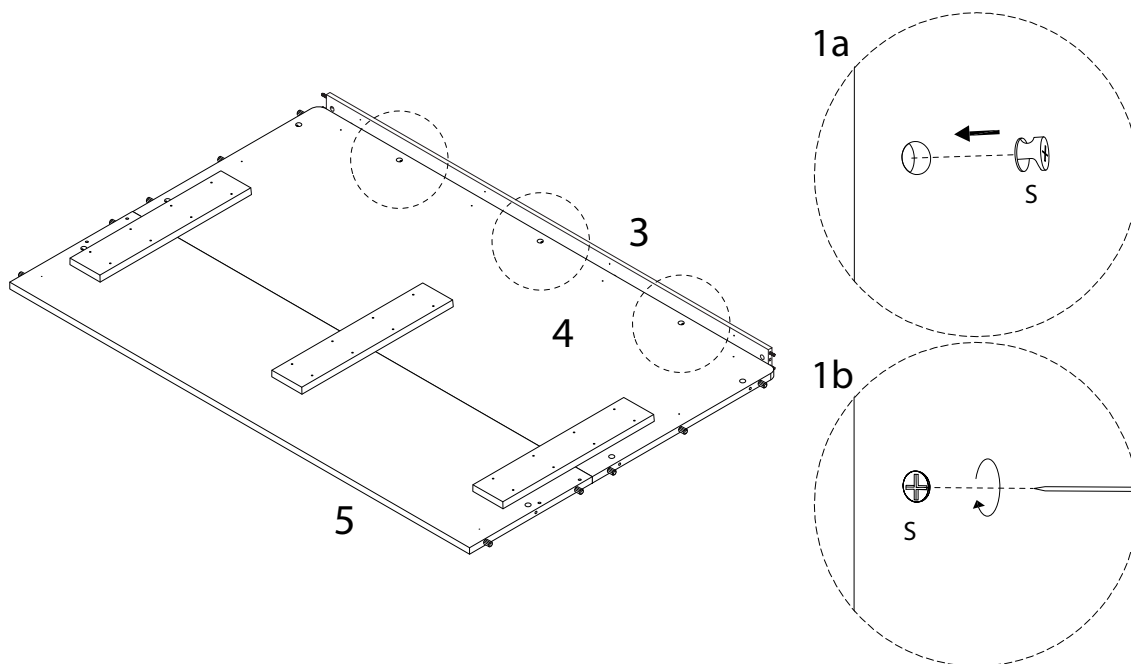
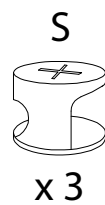
8



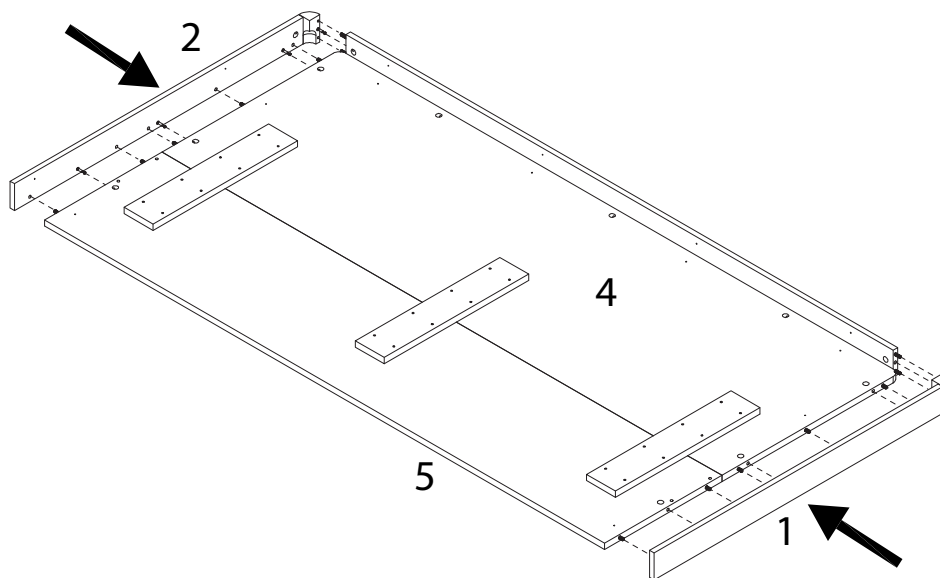
9



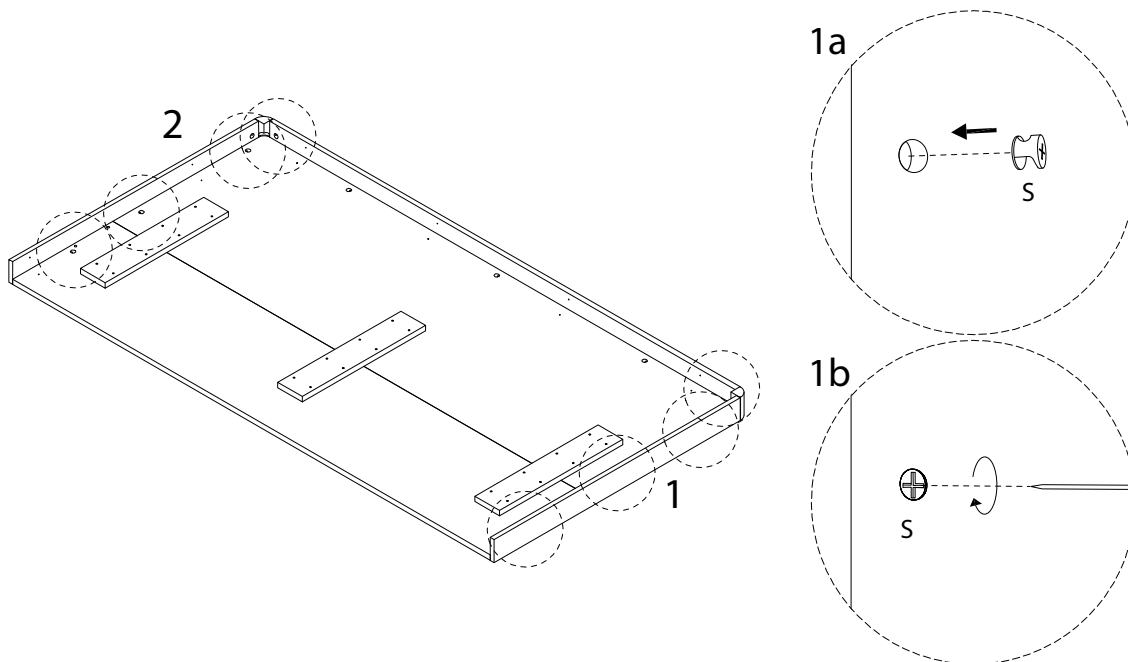
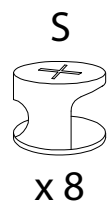
10



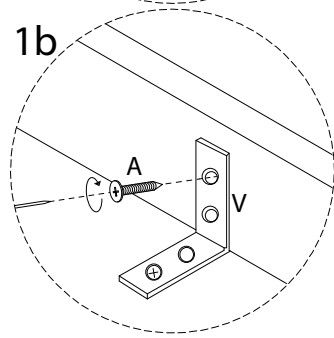
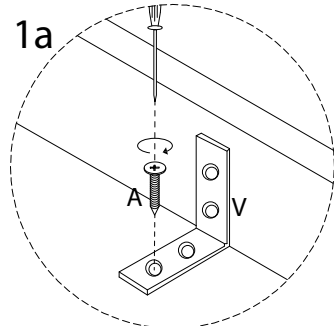
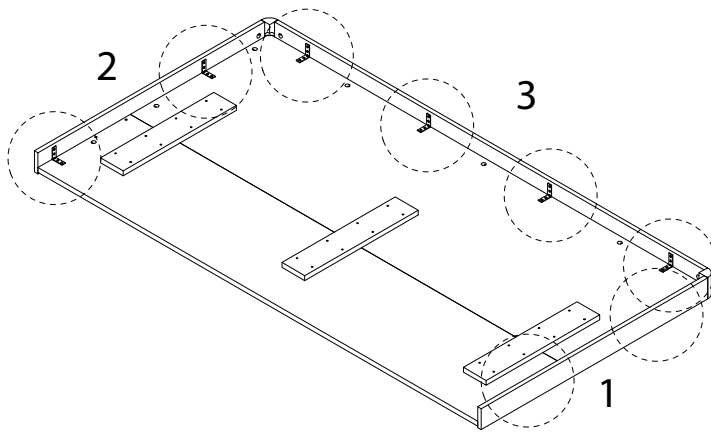
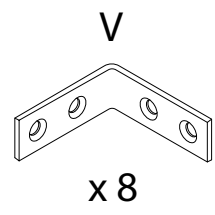
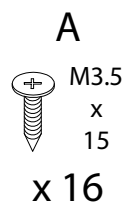
11



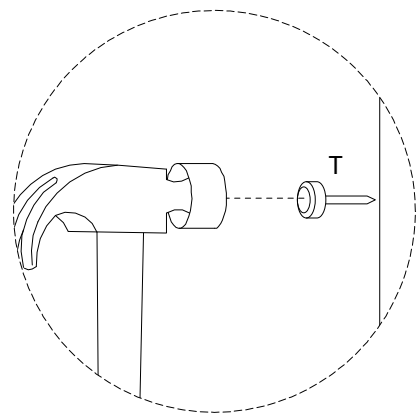
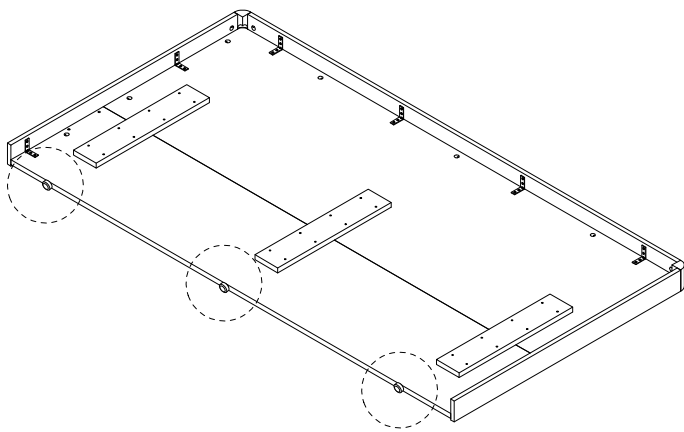
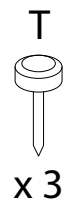
12



13

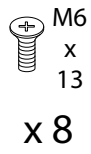


14

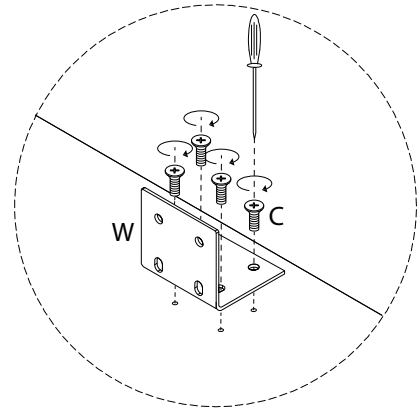
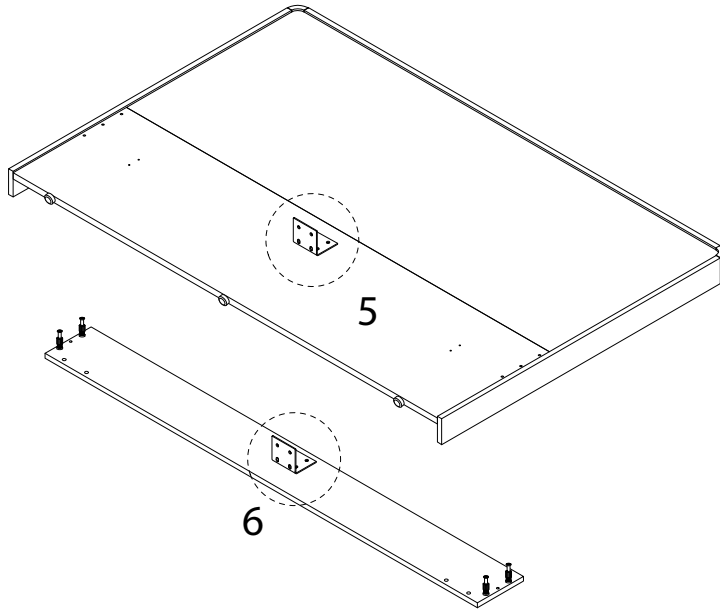
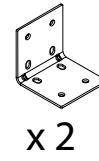


15

C

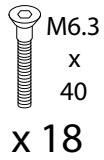


W



16

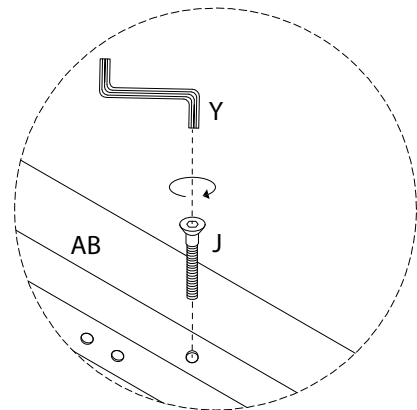
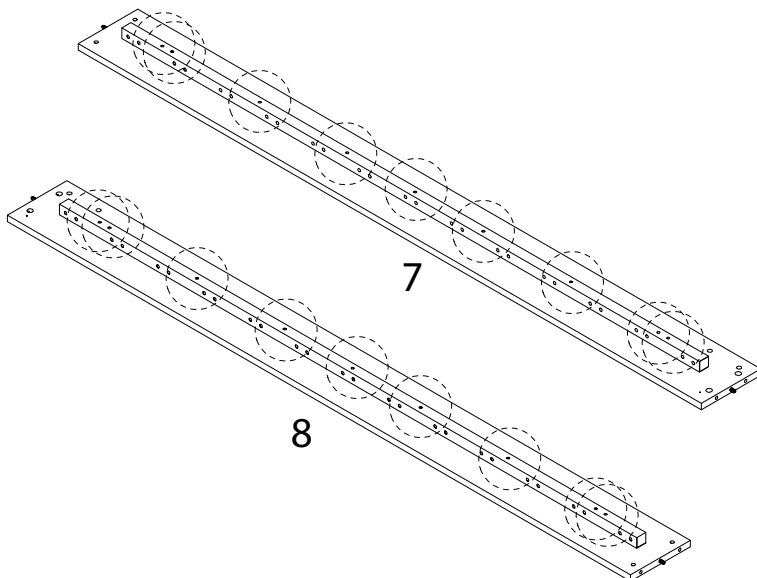
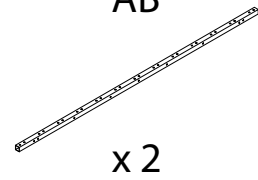
J



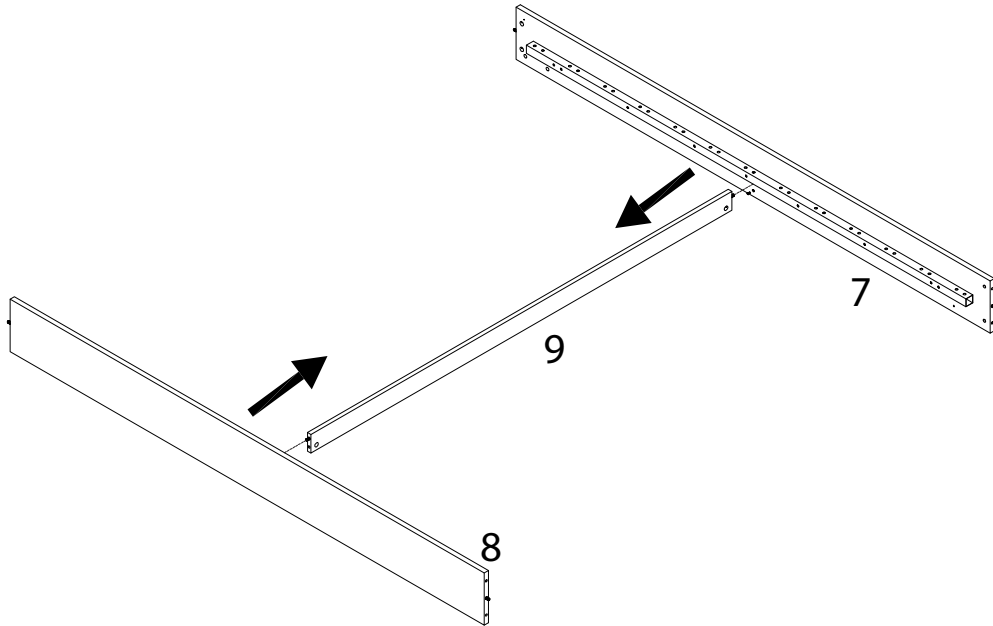
Y



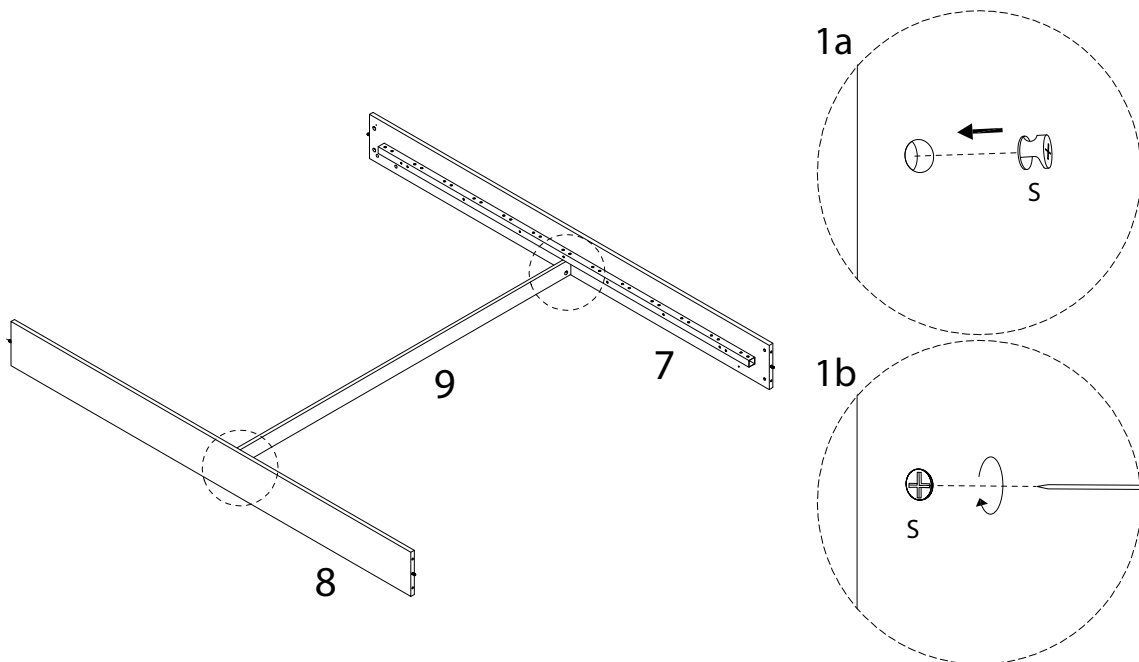
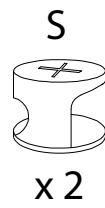
AB



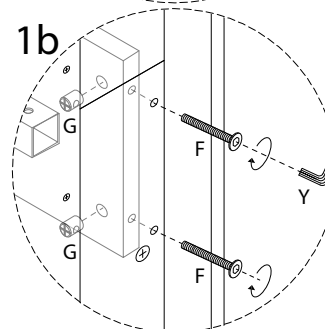
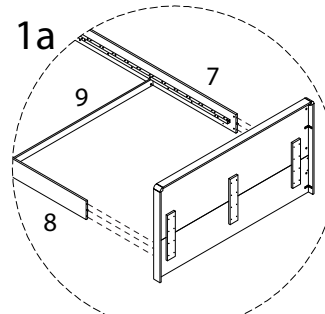
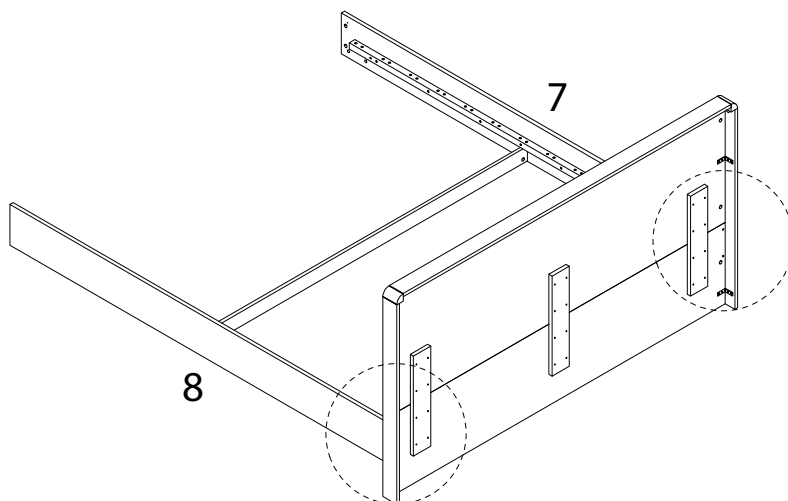
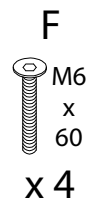
17



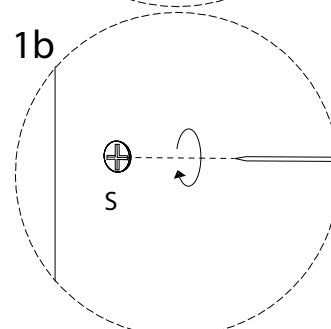
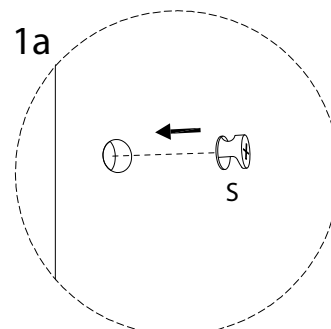
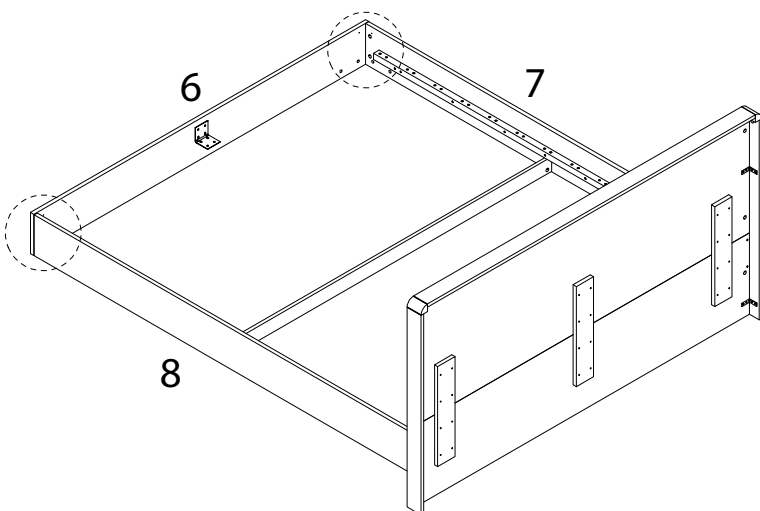
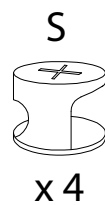
18



19



20



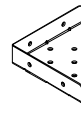
21 x 2

11

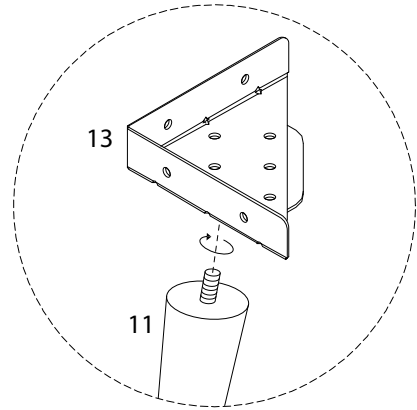
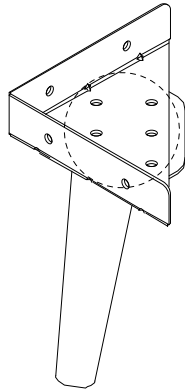


x 1

13



x 1



22

D

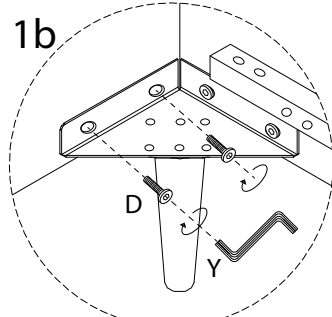
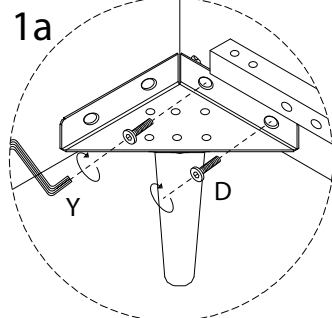
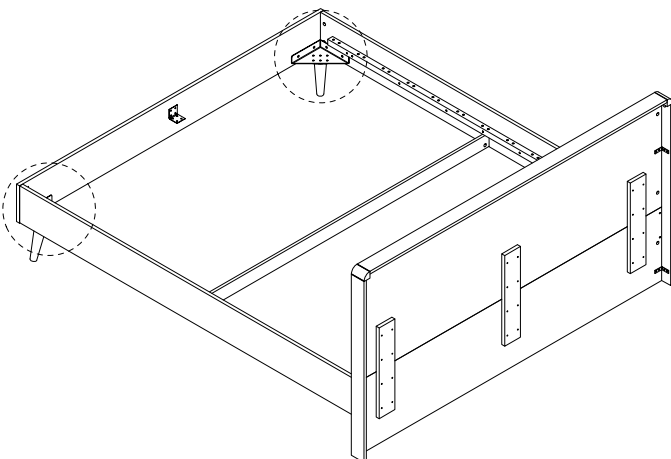


x 8

Y



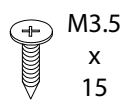
x 1





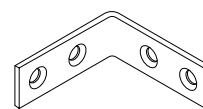
23

A

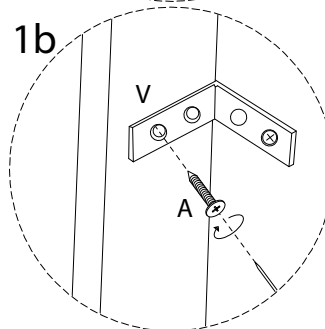
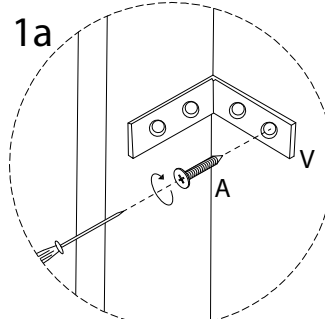
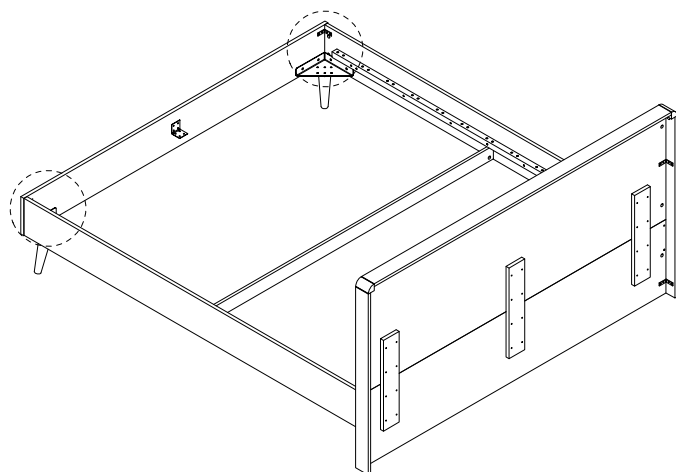


x 4

V



x 2



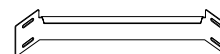
24

C

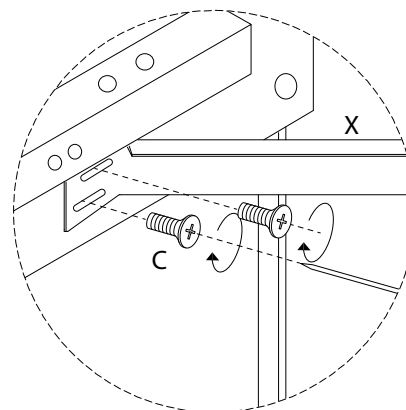
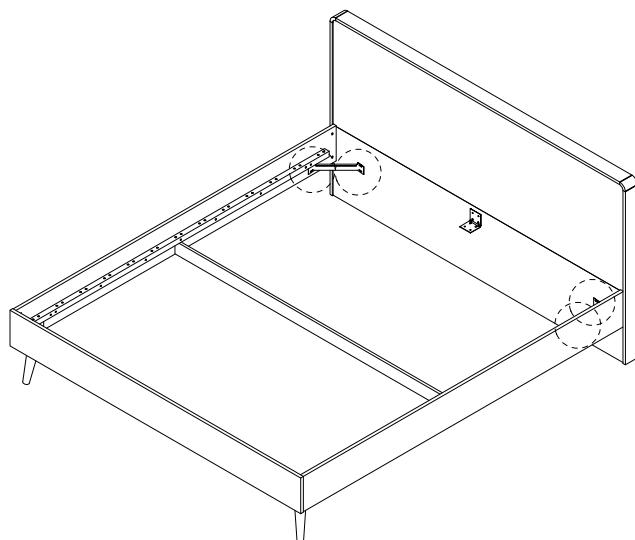


x 8

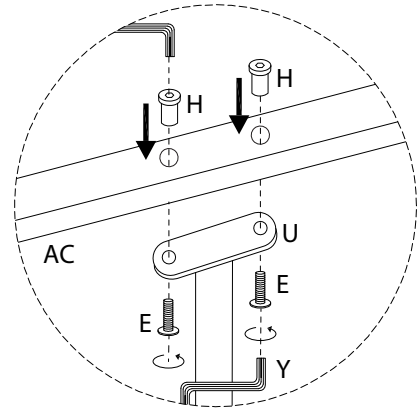
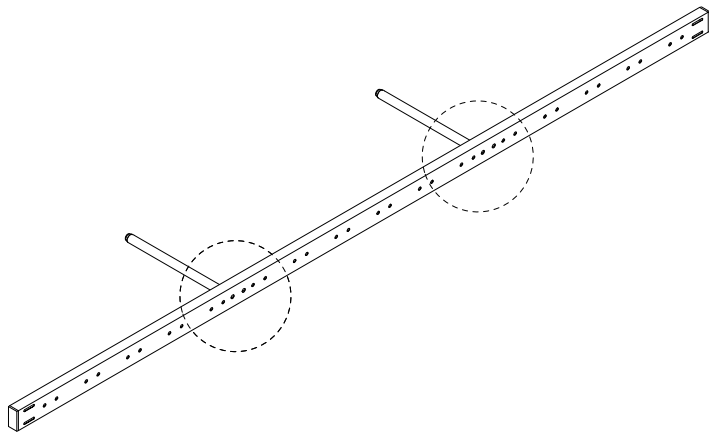
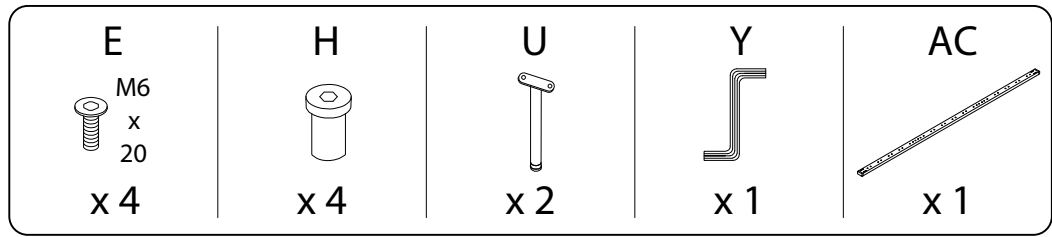
X



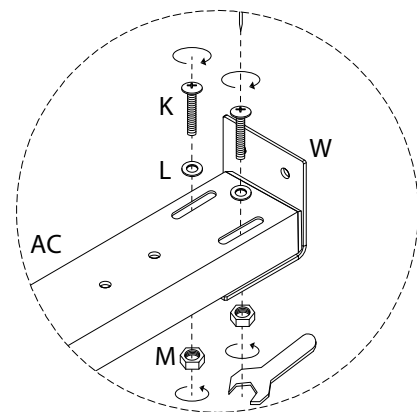
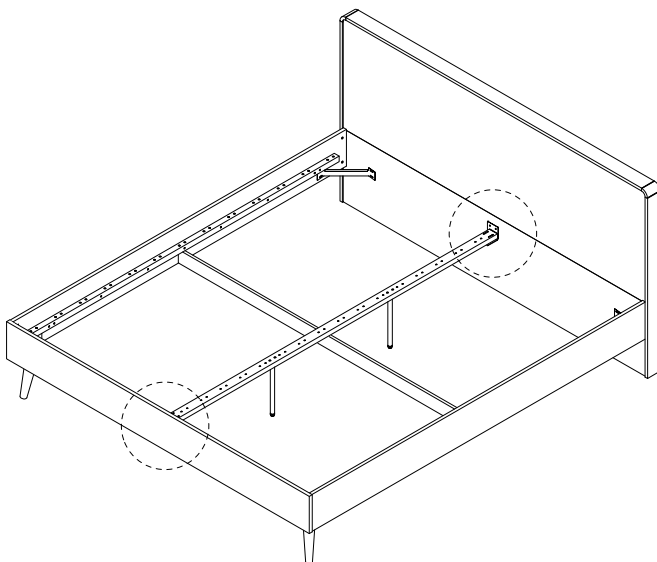
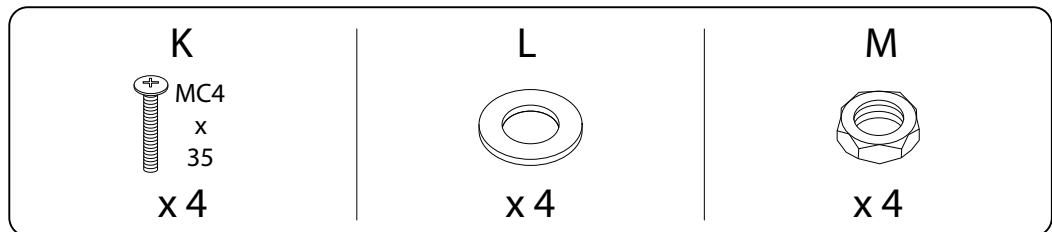
x 2



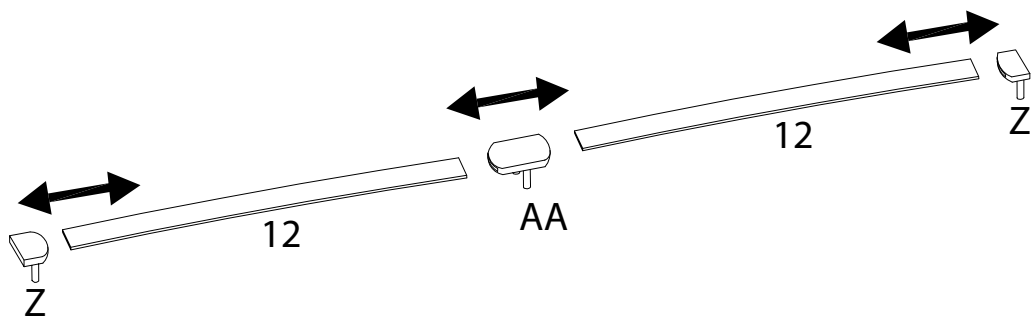
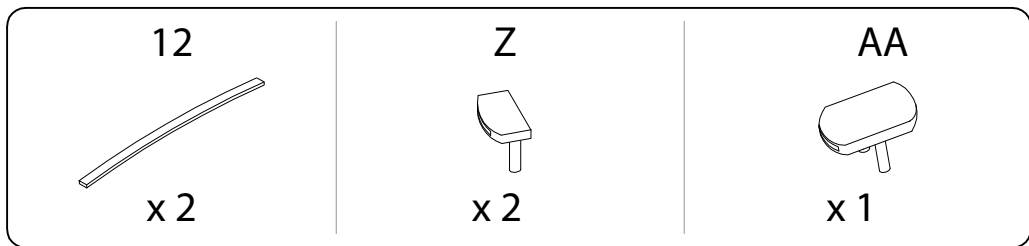
25



26



27x 16



28

