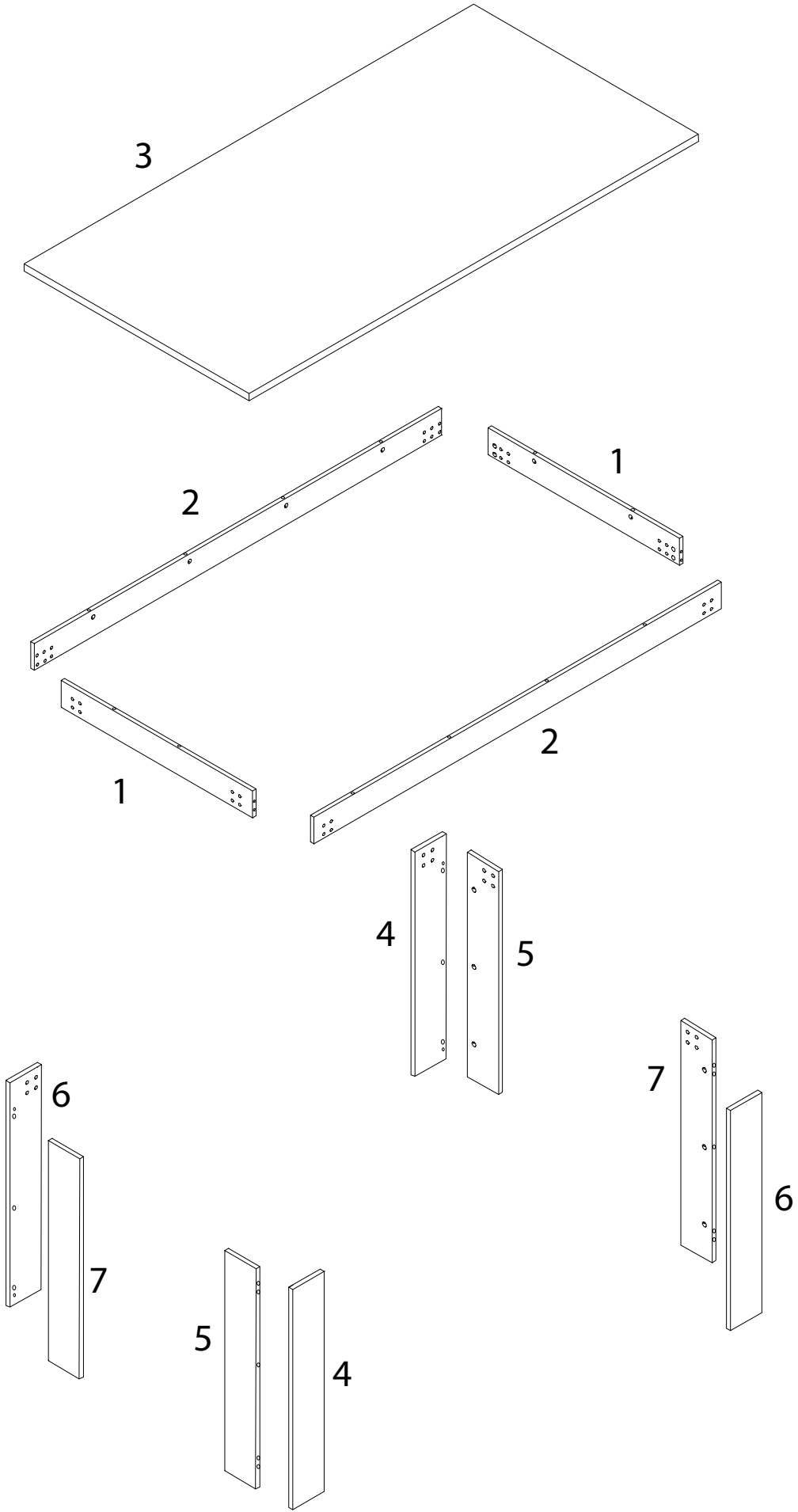
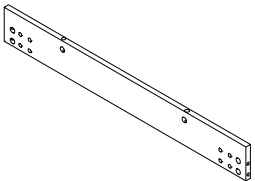
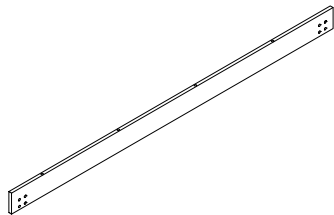
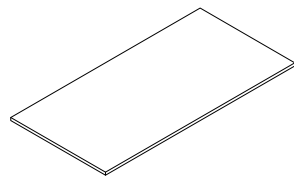



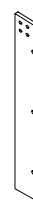
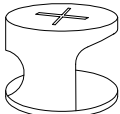
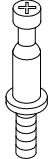

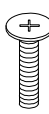


Assembly instructions for step 1/7:

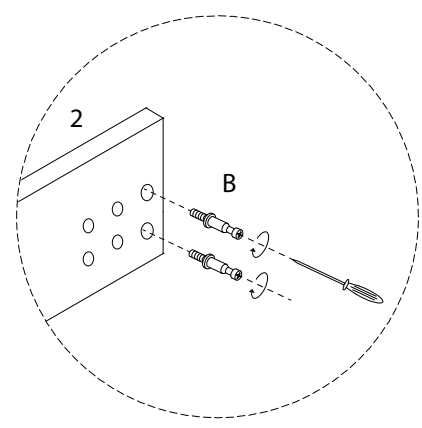
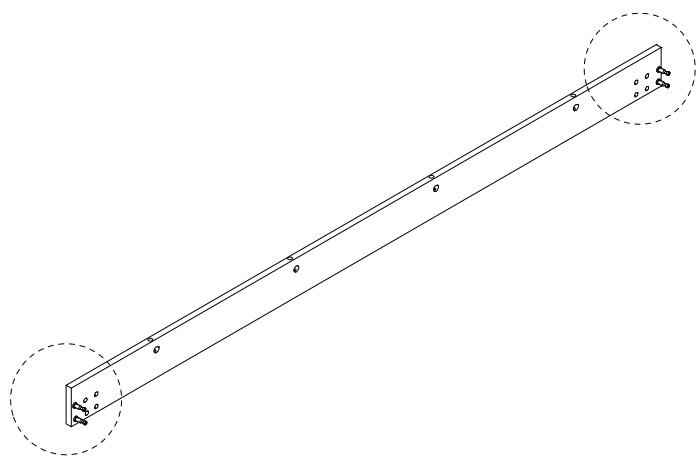
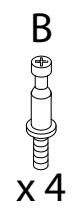
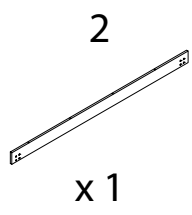
- Tools:** A screwdriver is shown as the required tool. A power drill is shown with a diagonal line through it, indicating it is not to be used.
- Warning:** A warning triangle with an exclamation mark is positioned to the right of the tool icons.
- Time:** A clock icon is shown with the number "40'" below it, indicating an estimated assembly time of 40 minutes.
- Personnel:** An icon of a person is shown with the number "2" below it, indicating that two people are required for assembly.

1/7

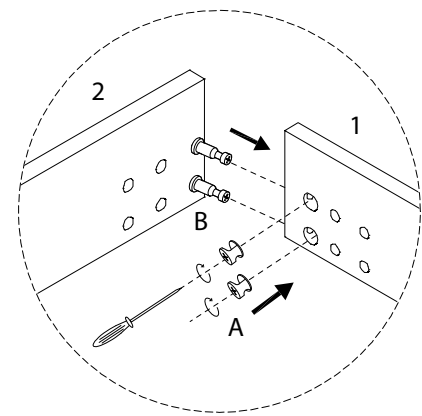
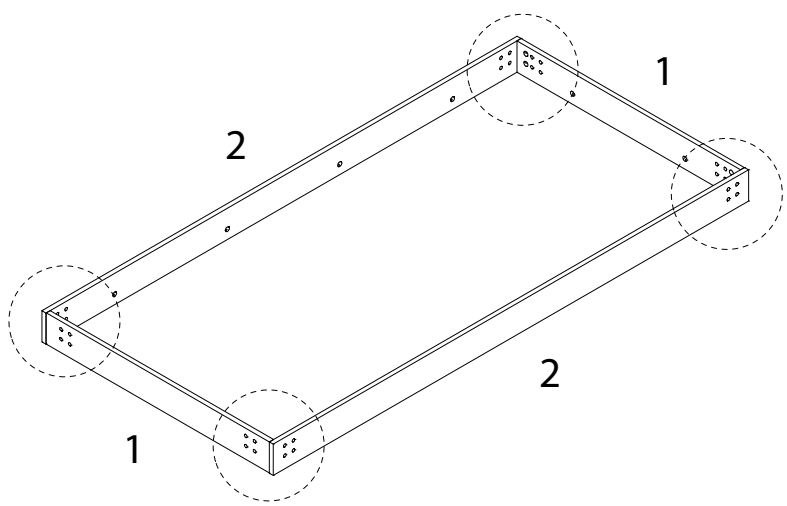
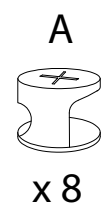
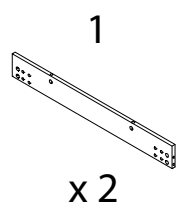


<p>1</p>  <p>x 2</p>	<p>2</p>  <p>x 2</p>	<p>3</p>  <p>x 1</p>	
<p>4</p>  <p>x 2</p>	<p>5</p>  <p>x 2</p>	<p>6</p>  <p>x 2</p>	<p>7</p>  <p>x 2</p>
<p>A</p>  <p>x 32</p>	<p>B</p>  <p>x 32</p>	<p>C</p>  <p>x 8</p>	<p>D</p>  <p>M6 x 25</p> <p>x 32</p>

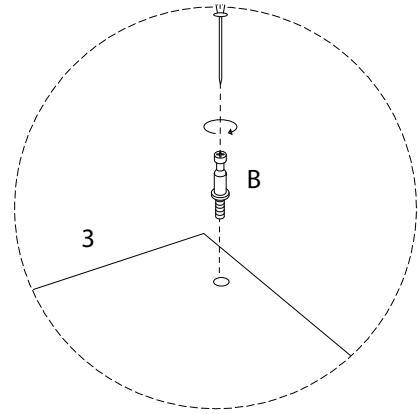
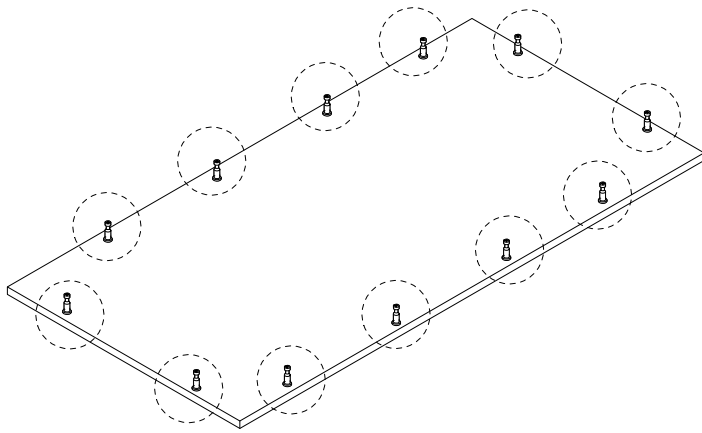
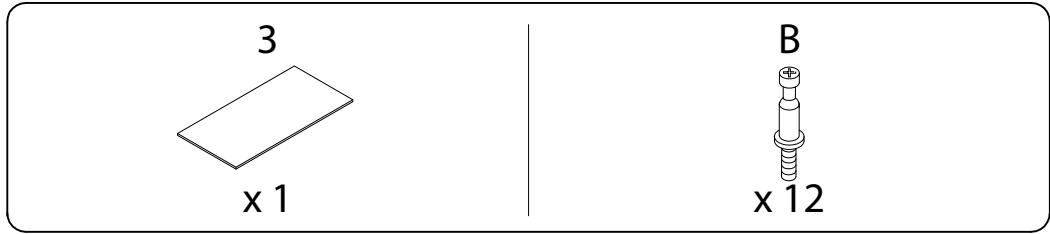
1 x 2



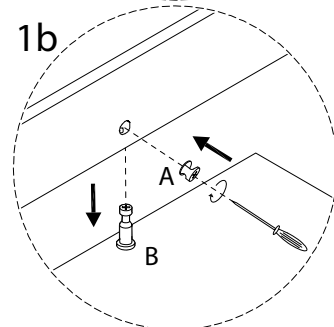
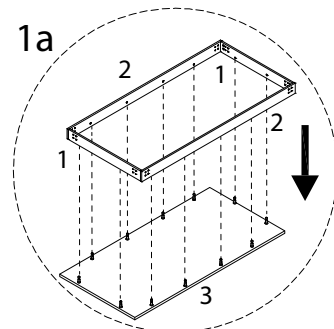
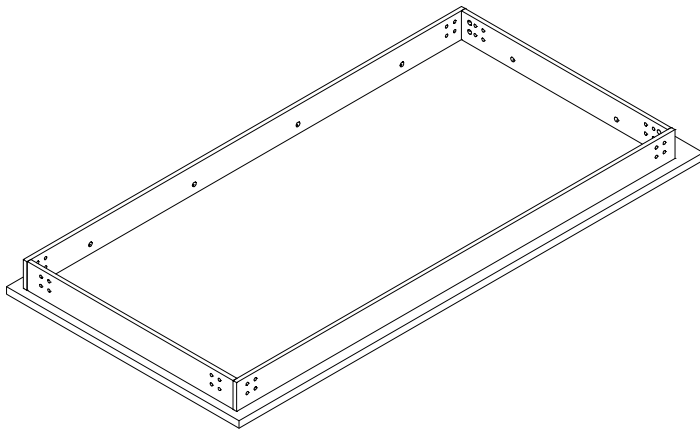
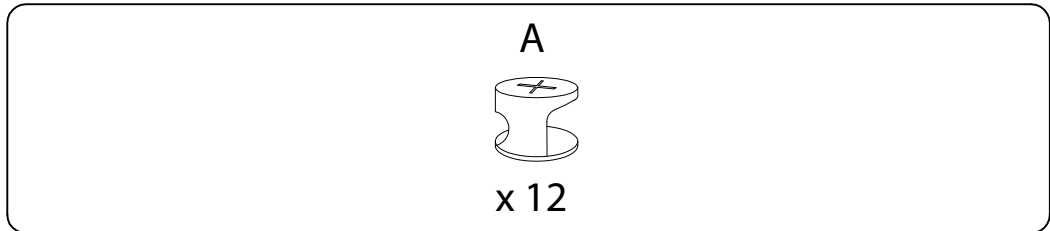
2



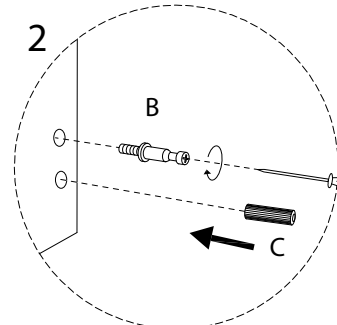
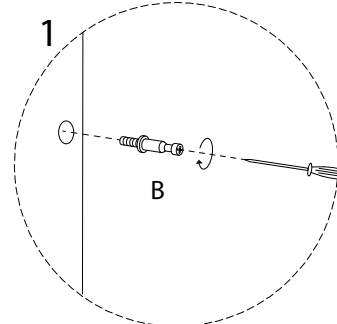
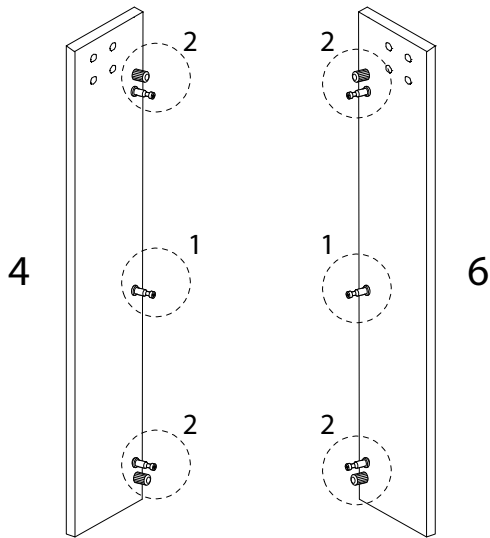
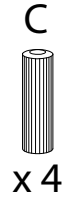
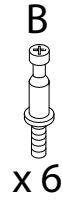
3



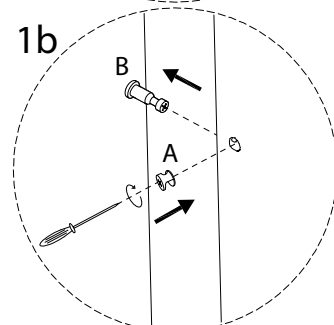
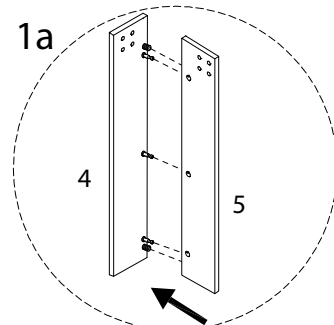
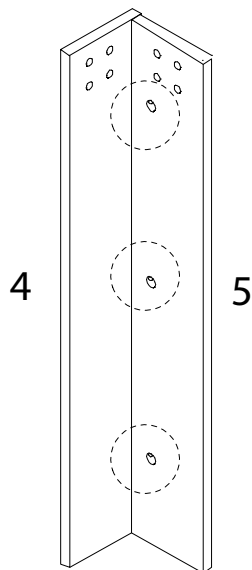
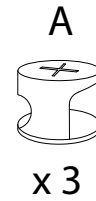
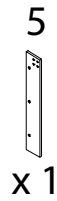
4



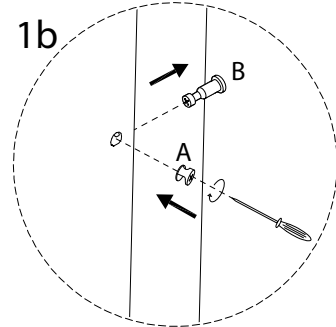
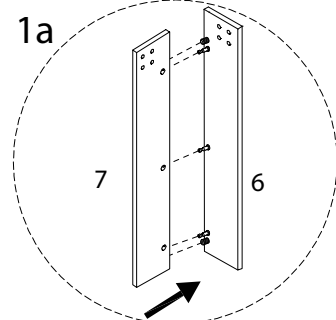
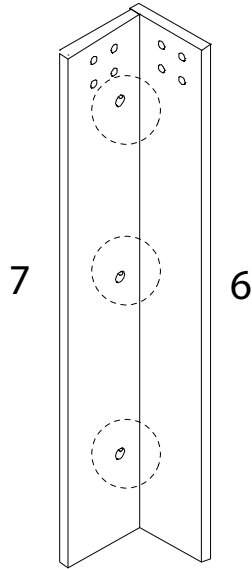
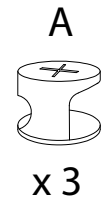
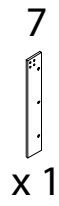
5 x 2



6 x 2



7 x 2



8

