

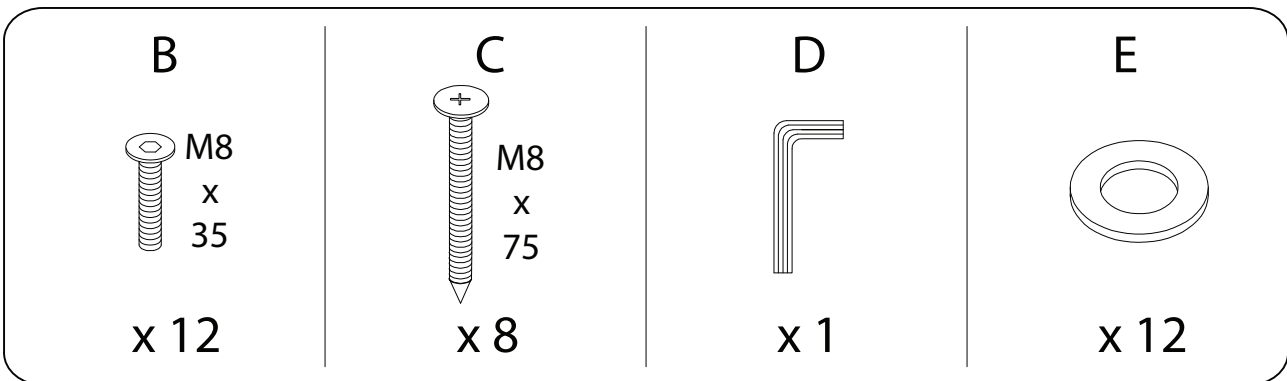
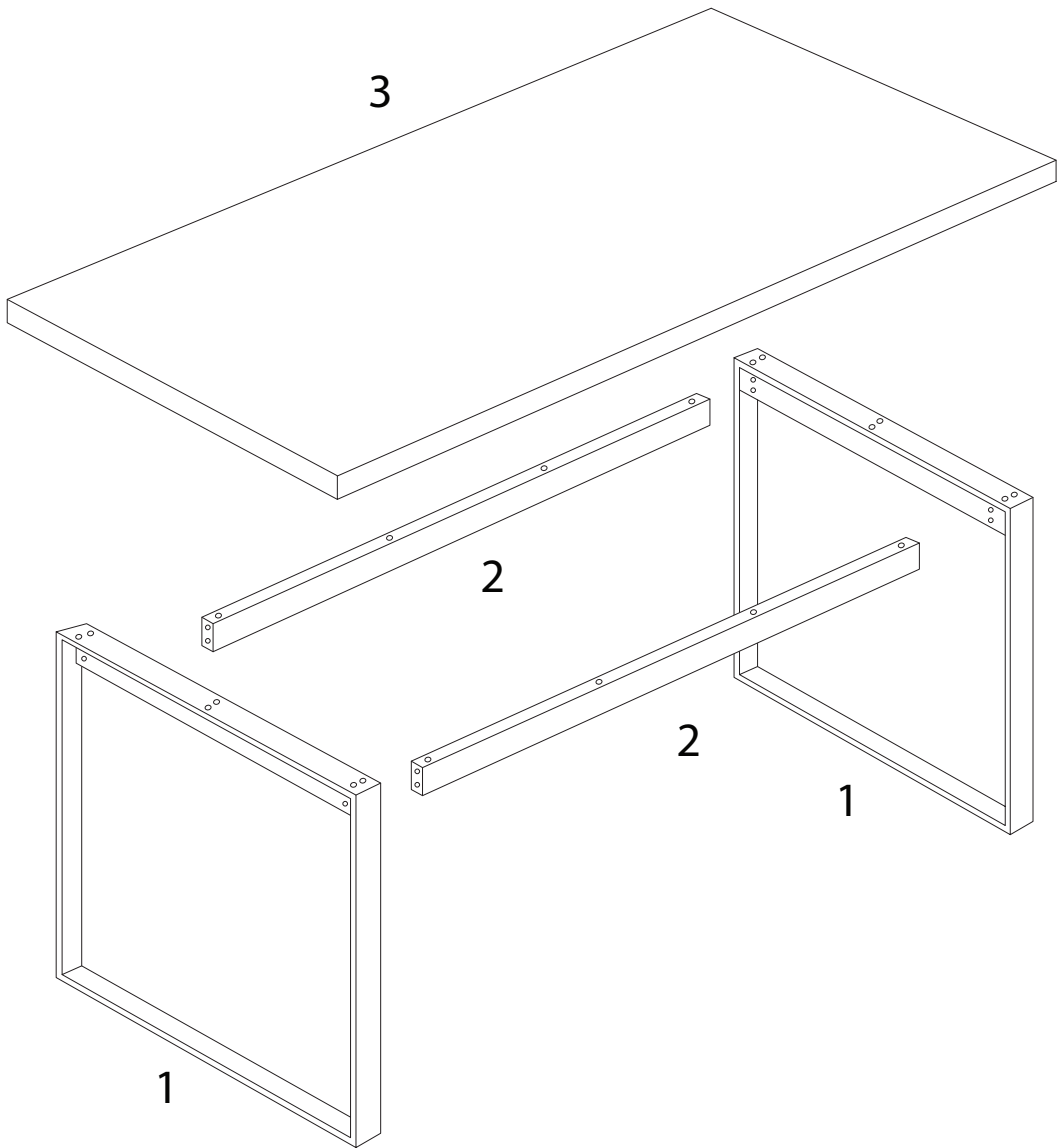
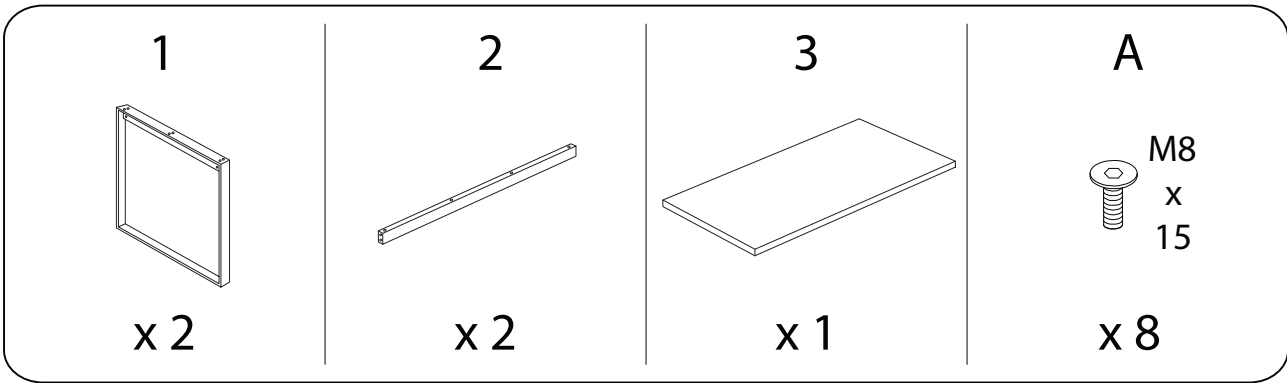
Assembly instructions for the table, including tool requirements, time, and personnel.

**Tools:** A circular icon contains a screwdriver and an Allen key. A power drill is shown with a diagonal line through it, indicating it is not required.

**Time:** A clock icon is positioned above the number **30'**, indicating an estimated assembly time of 30 minutes.

**Personnel:** A stick figure icon is positioned above the number **2**, indicating that two people are required for assembly.

**Warnings:** Two warning triangles (exclamation marks inside triangles) are present. The first is connected to the tool icons, and the second is connected to the personnel icon.



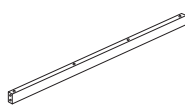
1

1



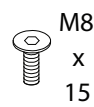
x 2

2



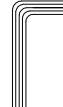
x 2

A

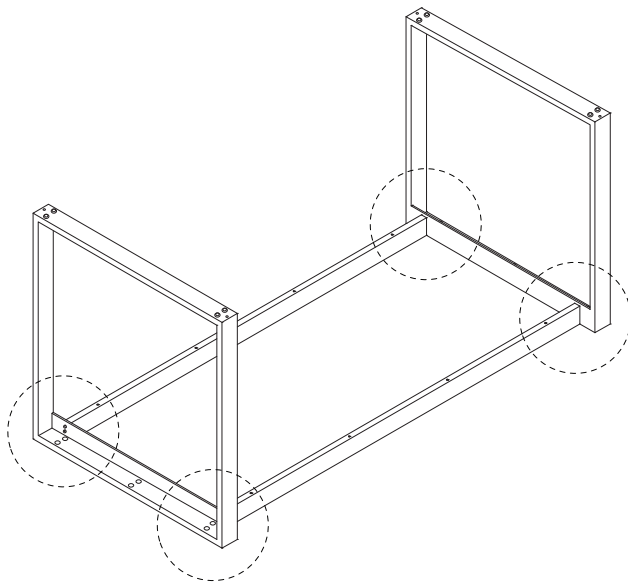


x 8

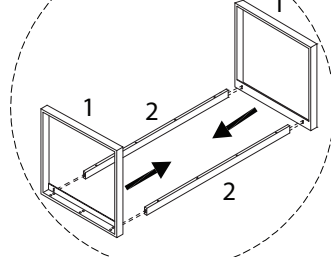
D



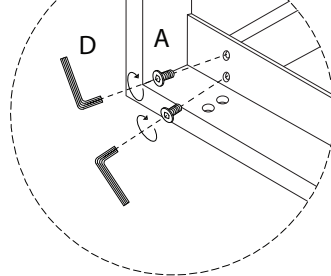
x 1



1a

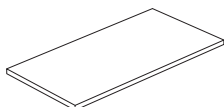


1b



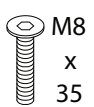
2

3



x 1

B



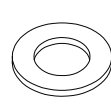
x 12

D

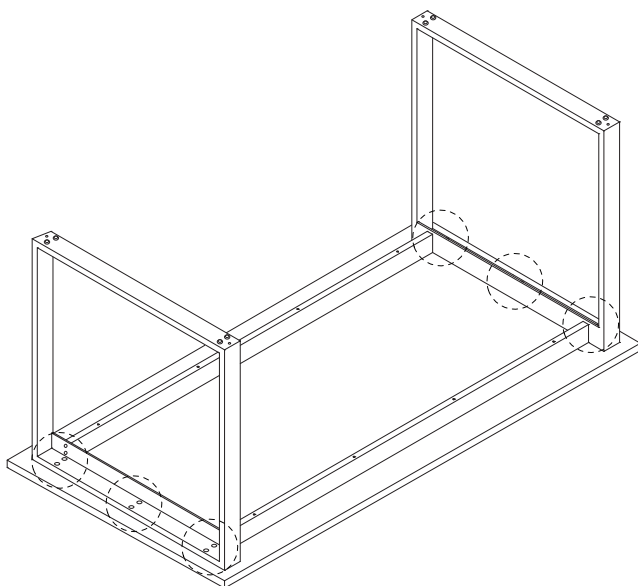


x 1

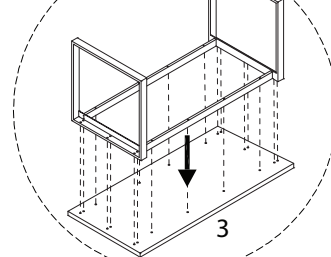
E



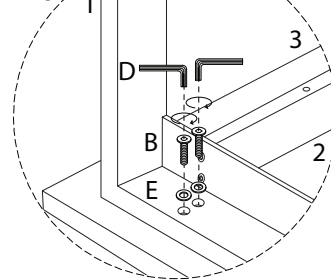
x 12



1a



1b



3

C  
M8  
x  
75  
x 8

