

Assembly instructions for the bed frame, including tool requirements, time, and person count.

Tools: An icon shows an Allen key and a wrench inside a circle, with a crossed-out power drill icon next to it. A warning triangle is positioned to the right of this icon set.

Time: A clock icon is shown with the number **40'** below it, indicating the estimated assembly time.

Personnel: An icon of a person is shown with the number **2** below it, indicating that two people are required for assembly.

A second warning triangle is located below the first one, pointing to the second icon set.

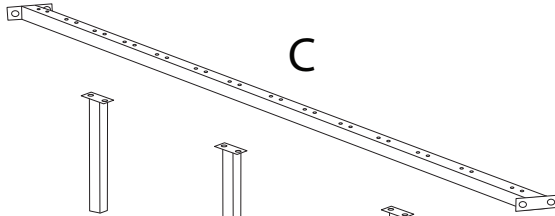
A x 24



D

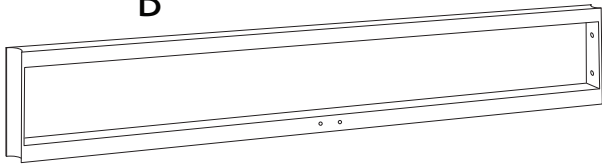


C

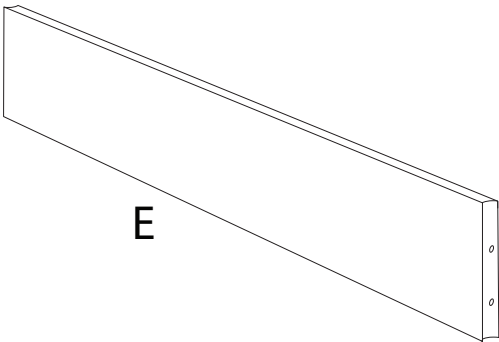
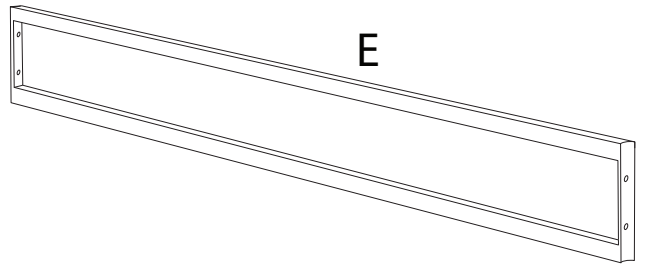


F x 3

B

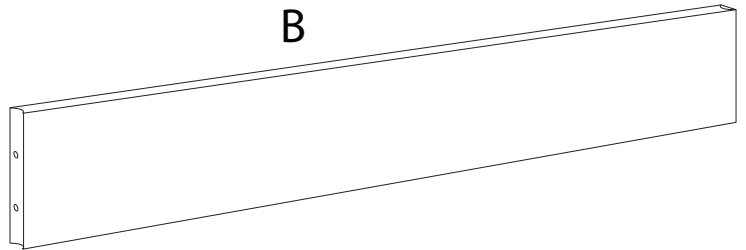


E



E

B



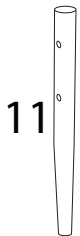
12






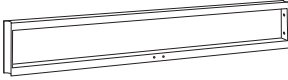
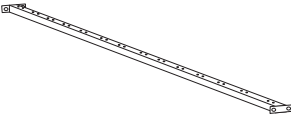

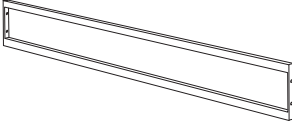
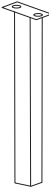

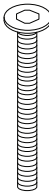
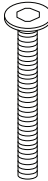
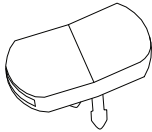
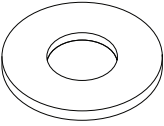
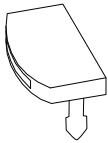
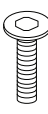
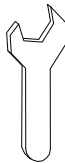
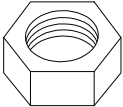


11



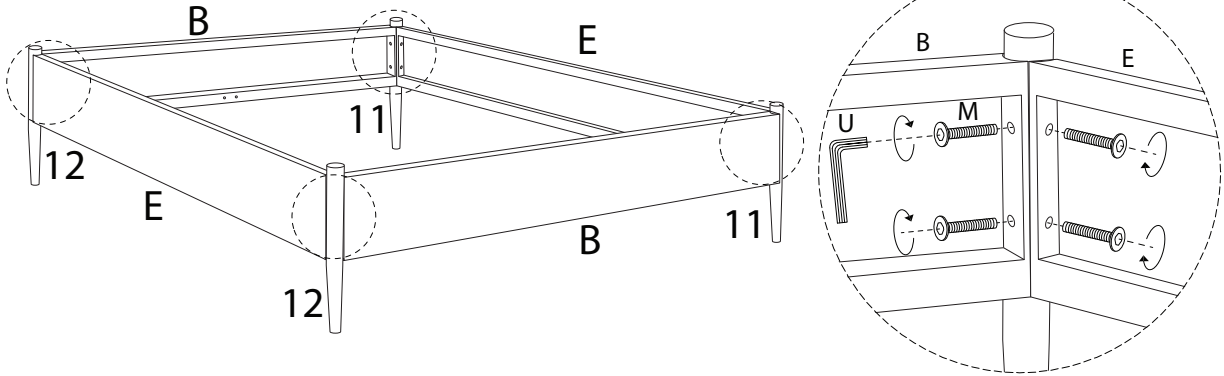
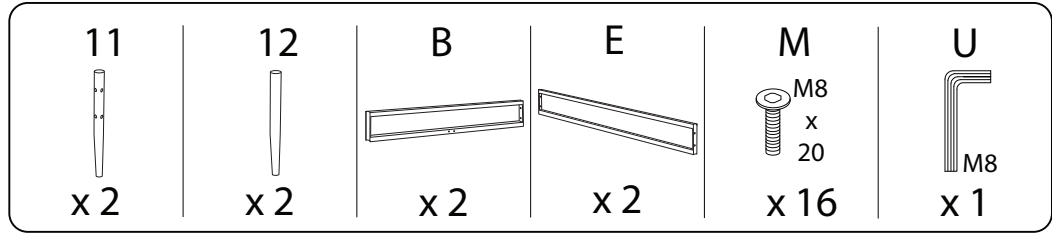
12



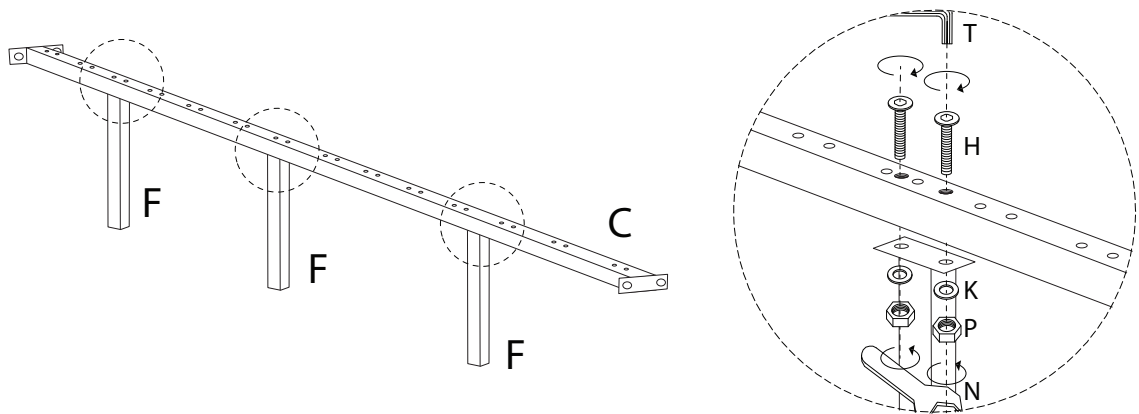
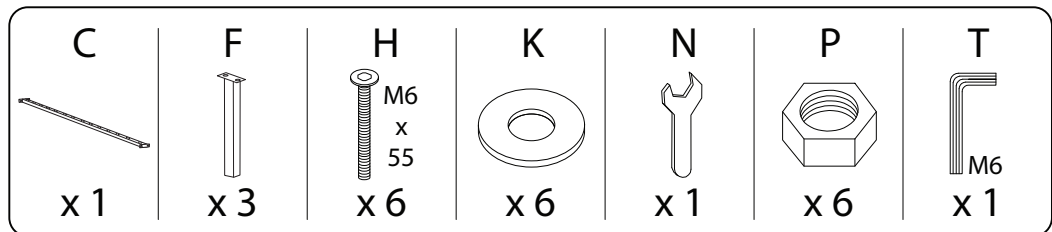
11

<p>11</p>  <p>x 2</p>	<p>12</p>  <p>x 2</p>	<p>A</p>  <p>x 24</p>	<p>B</p>  <p>x 2</p>
<p>C</p>  <p>x 1</p>	<p>D</p>  <p>x 1</p>	<p>E</p>  <p>x 2</p>	<p>F</p>  <p>x 3</p>
<p>G</p>  <p>M6 x 35</p> <p>x 1</p>	<p>H</p>  <p>M6 x 55</p> <p>x 8</p>	<p>I</p>  <p>M6 x 50</p> <p>x 4</p>	<p>J</p>  <p>x 12</p>
<p>K</p>  <p>x 11</p>	<p>L</p>  <p>x 24</p>	<p>M</p>  <p>M8 x 20</p> <p>x 16</p>	<p>N</p>  <p>x 1</p>
<p>P</p>  <p>x 7</p>	<p>T</p>  <p>M6</p> <p>x 1</p>	<p>U</p>  <p>M8</p> <p>x 1</p>	

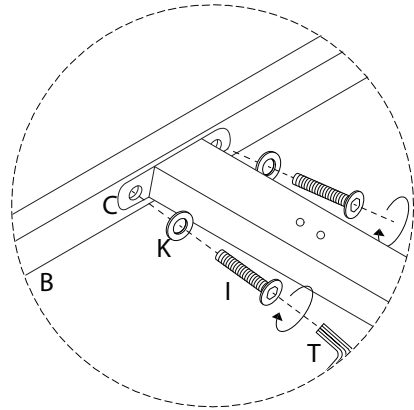
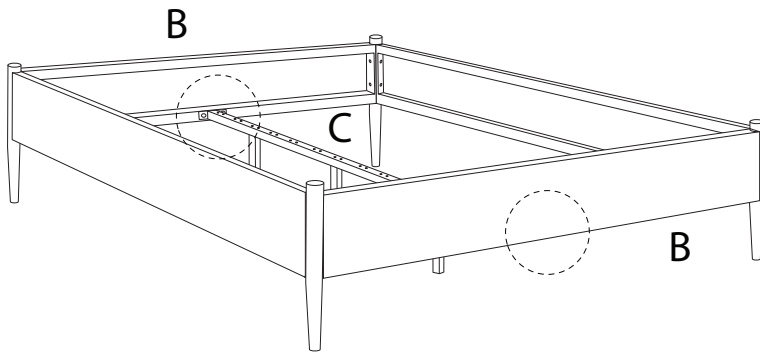
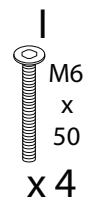
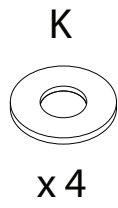
1



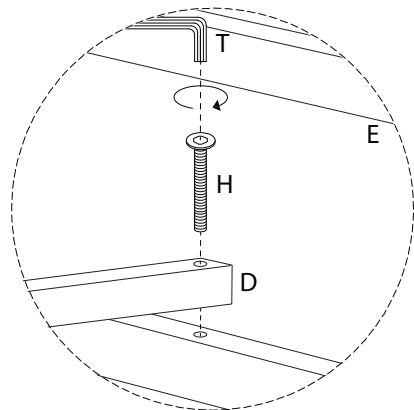
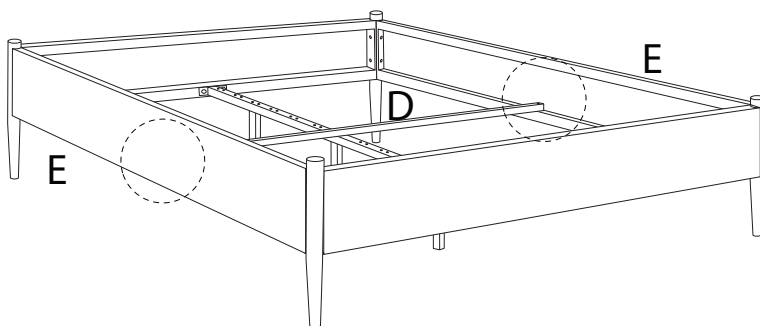
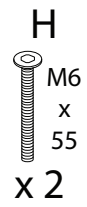
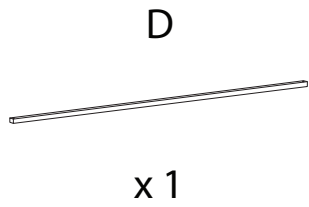
2



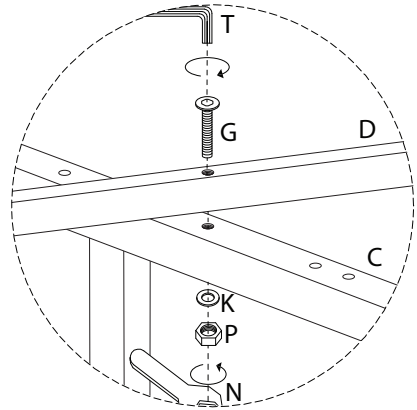
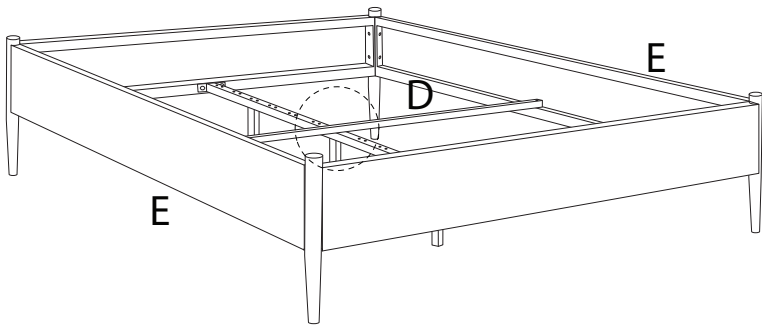
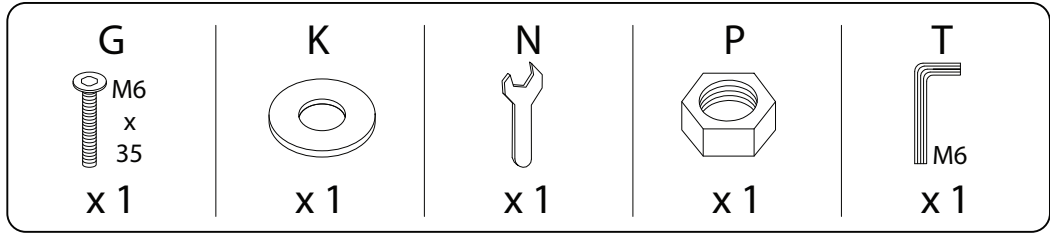
3



4



5



6

