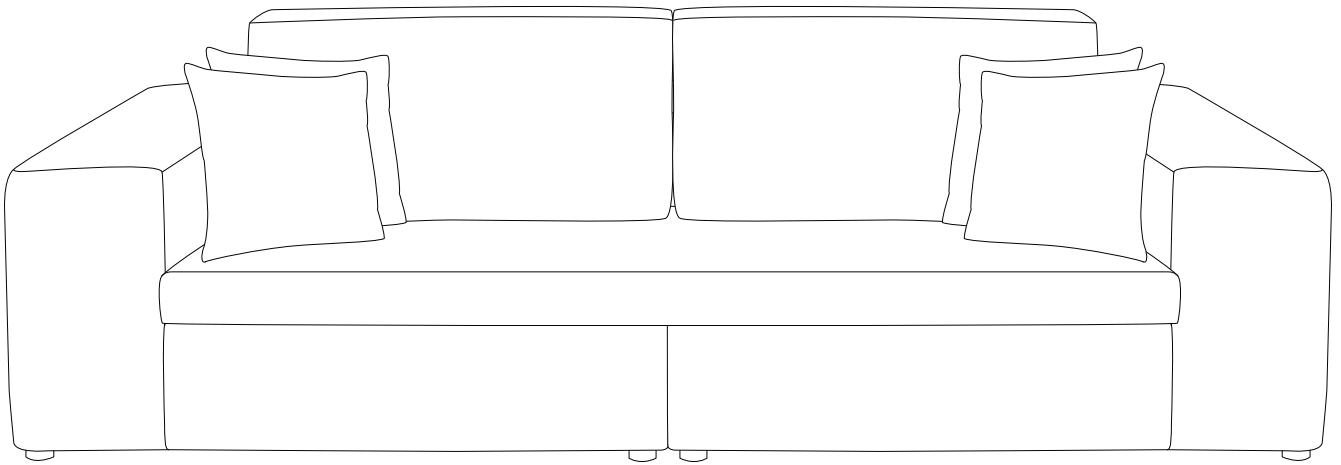


GLORVIKA



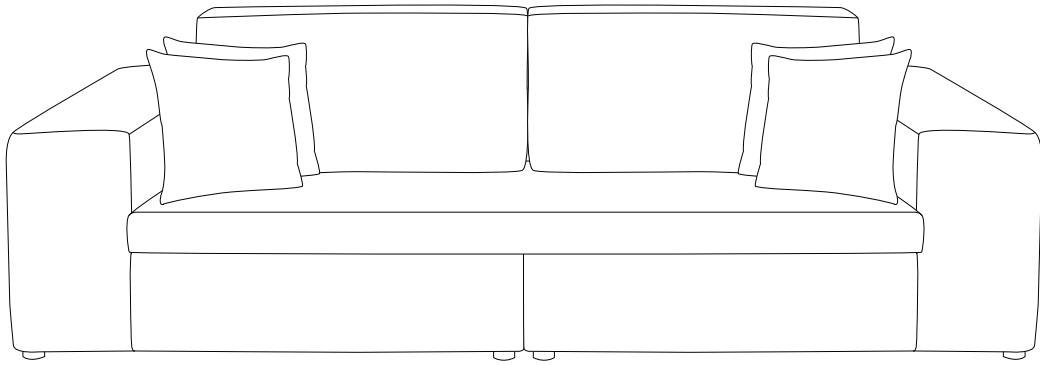
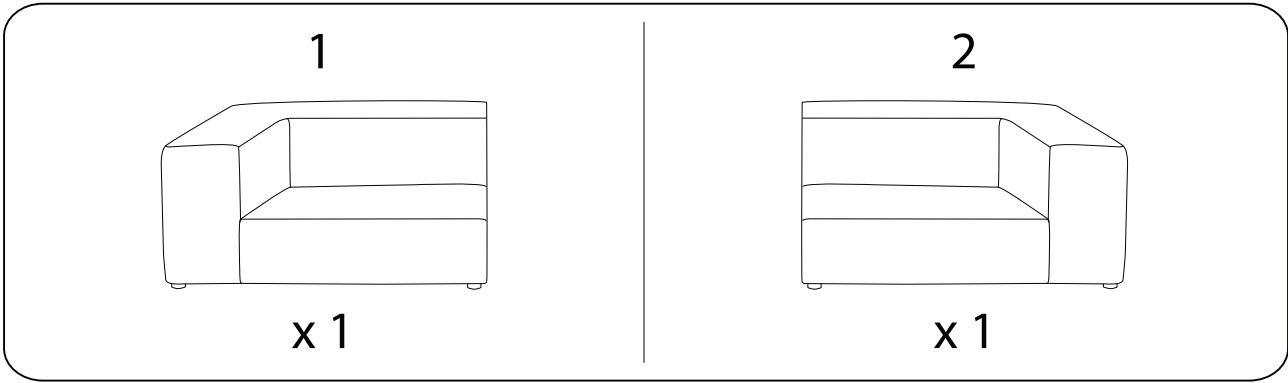
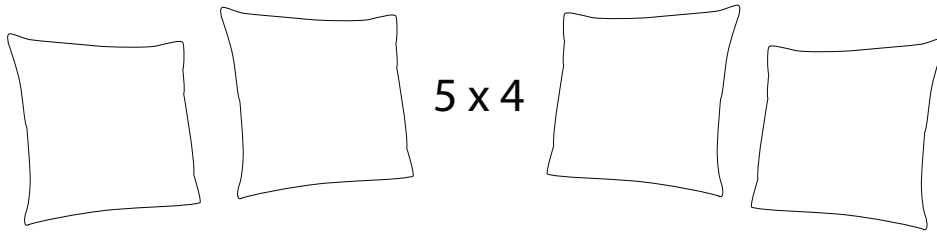
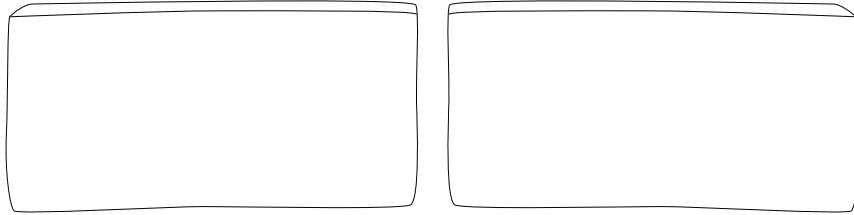


Diagram illustrating assembly instructions and safety warnings:

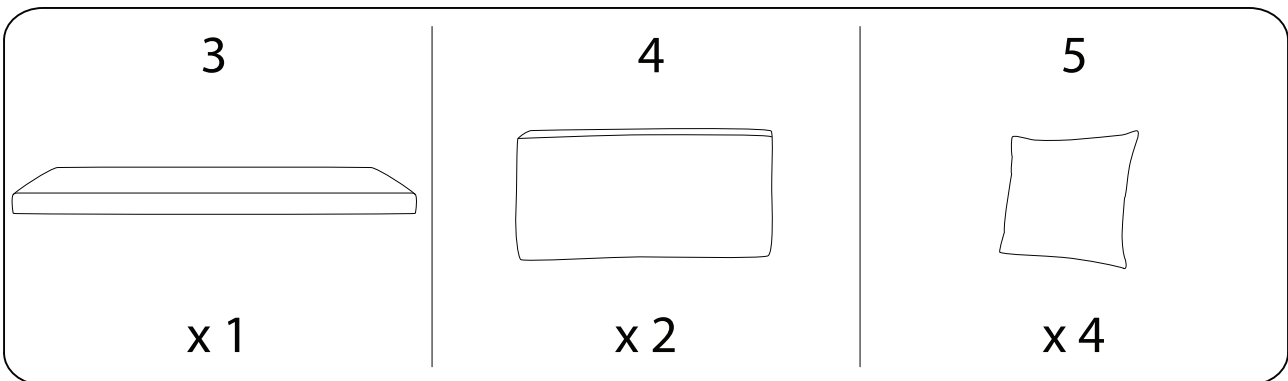
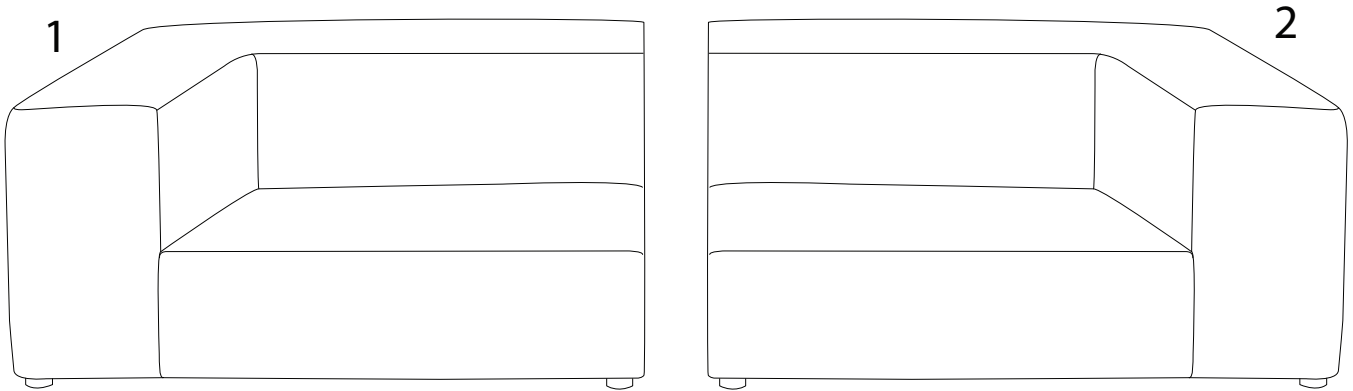
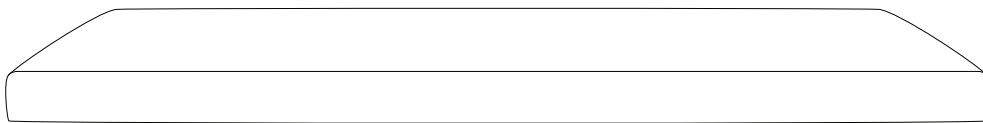
- Warning 1:** A crossed-out power drill icon indicates that a power drill should not be used for assembly.
- Warning 2:** A crossed-out icon of a block being drilled from the bottom indicates that drilling should not be performed from the underside.
- Time:** A clock icon with the text "10'" below it, indicating an estimated assembly time of 10 minutes.
- Personnel:** An icon of a person with the text "2" below it, indicating that two people are required for assembly.



4 x 2

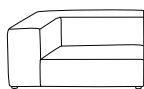


3



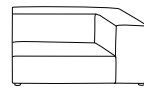
1

1



x 1

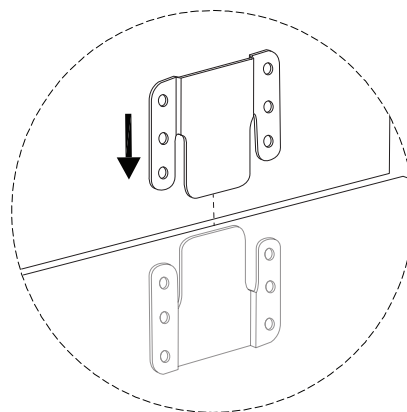
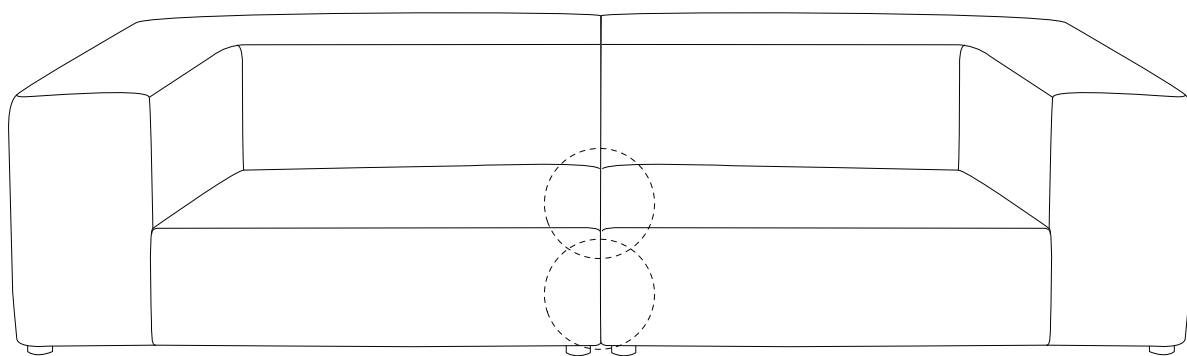
2



x 1

1

2



2

