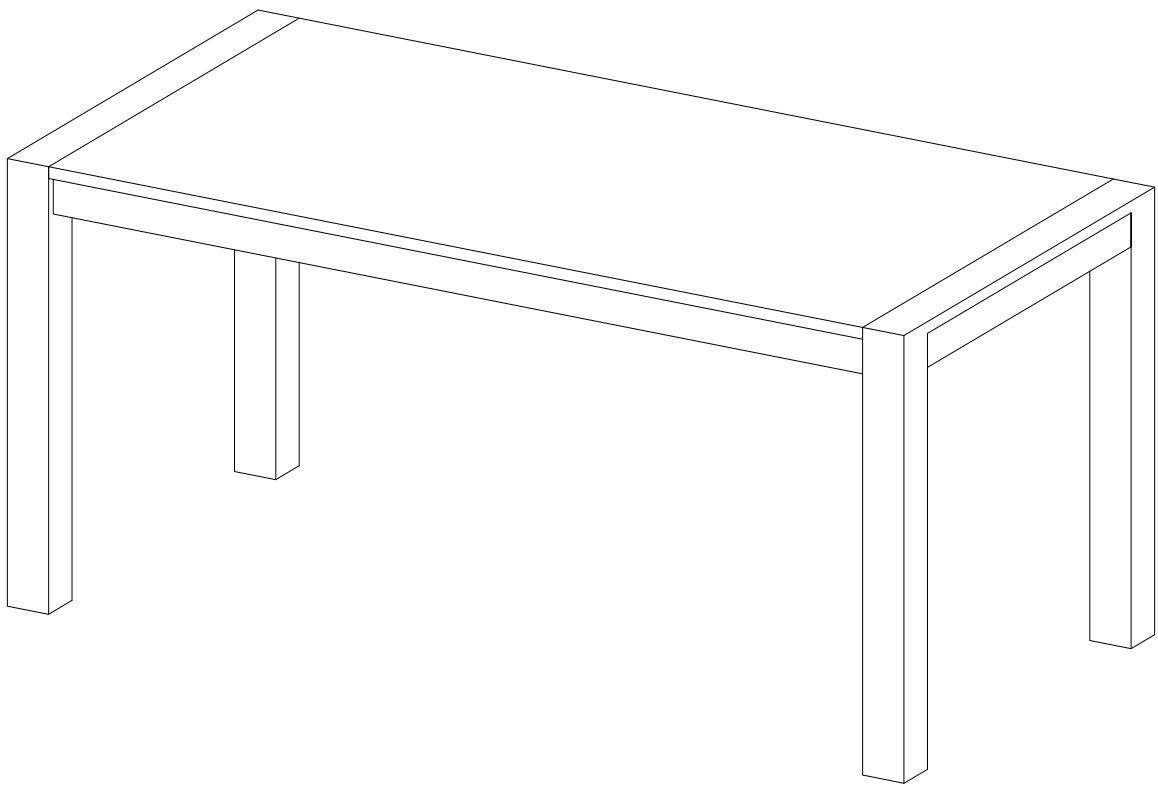
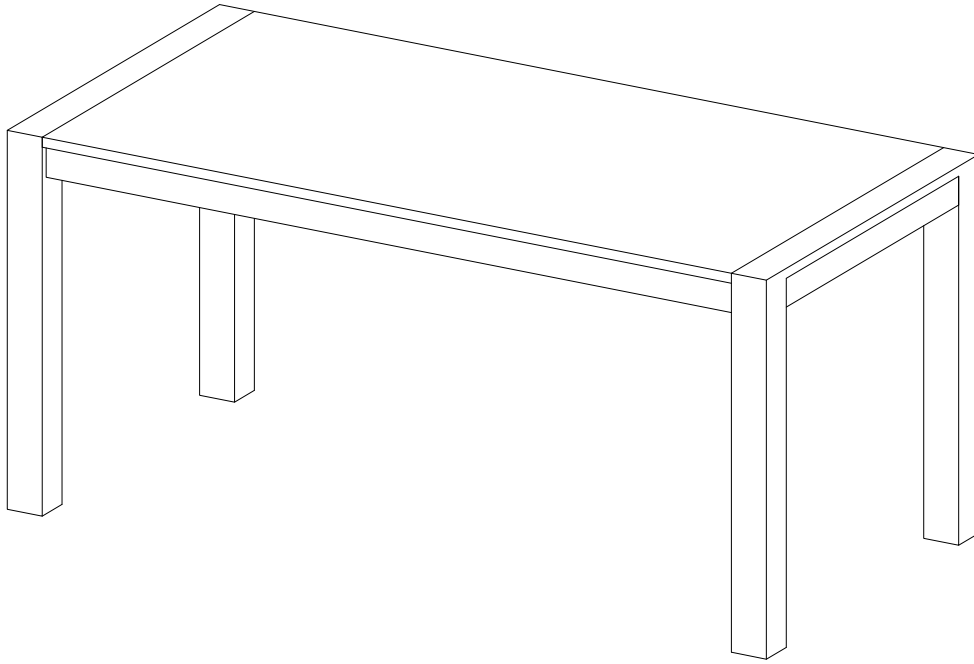


NATURA





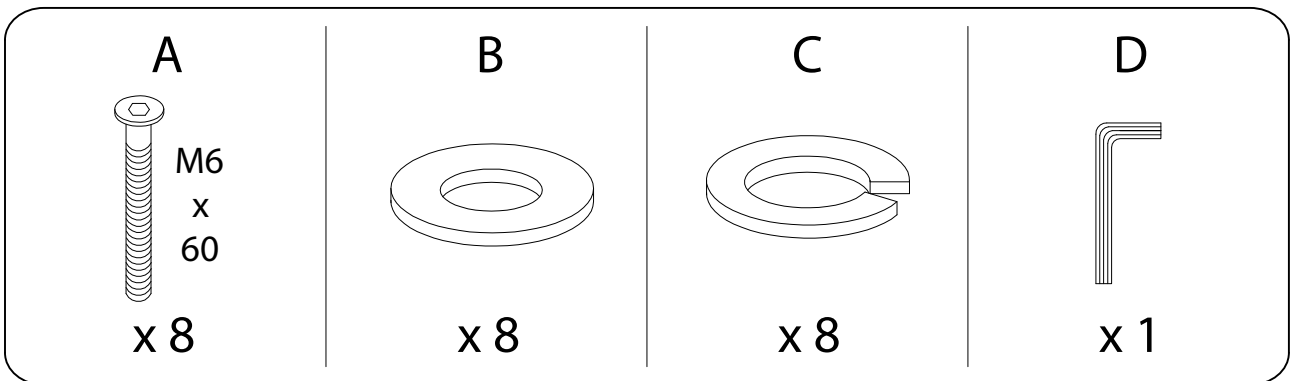
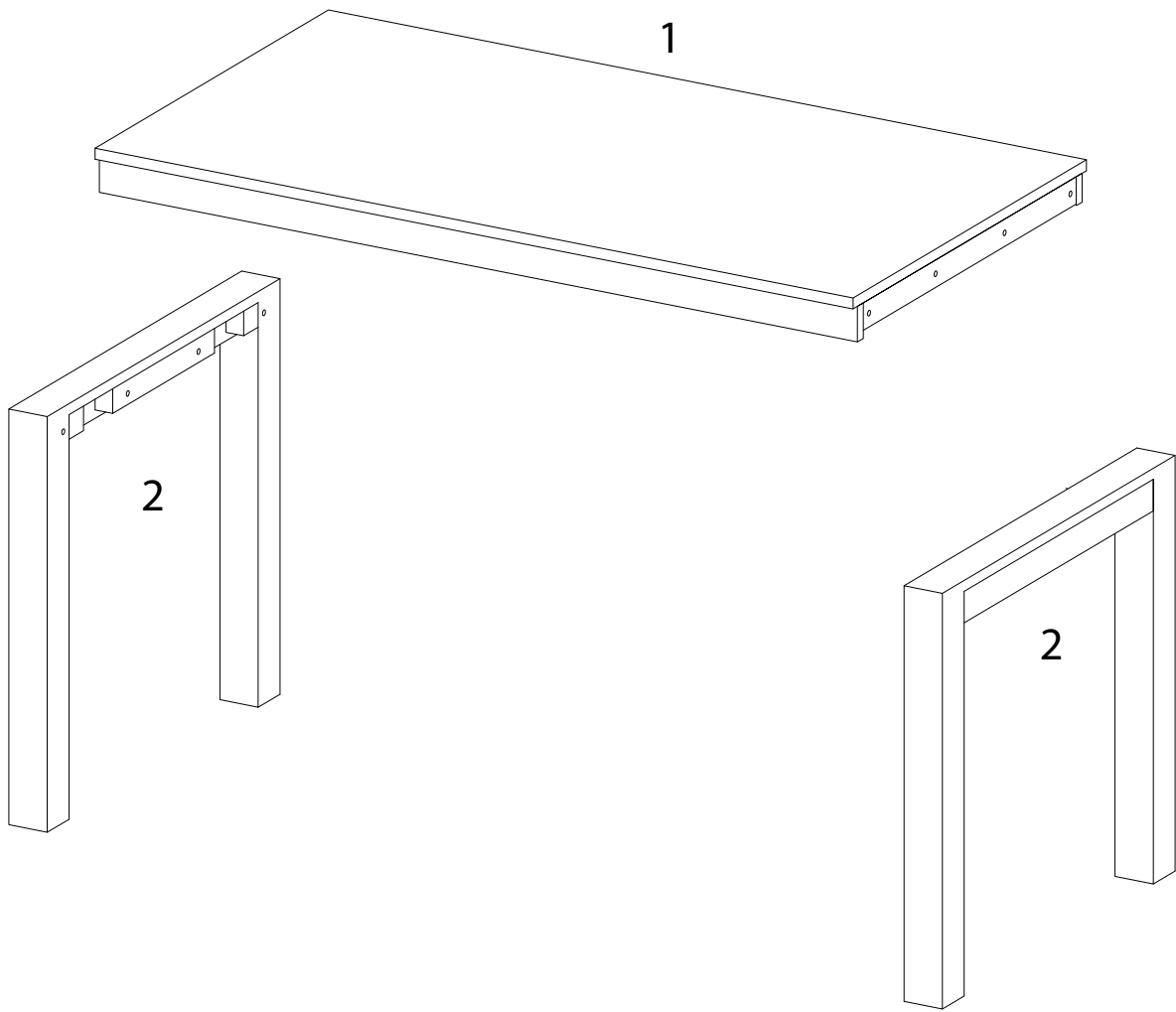
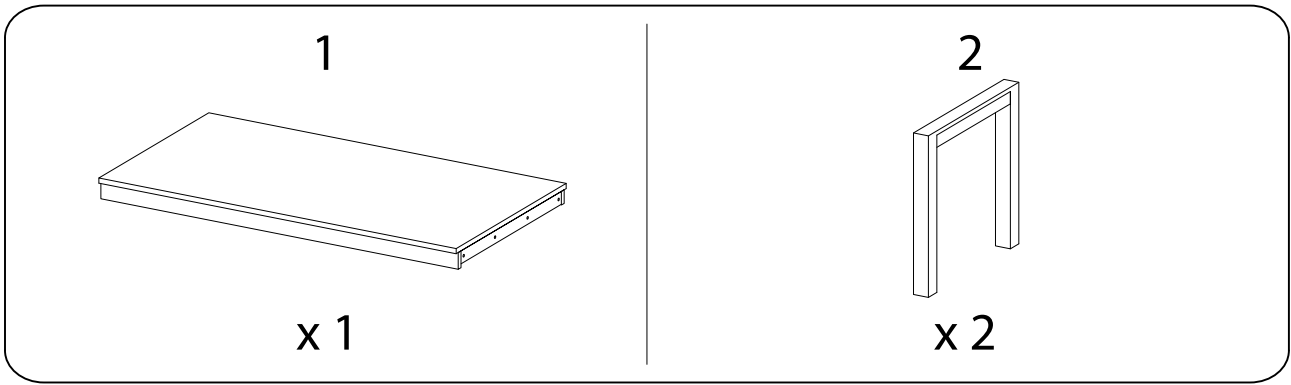
Assembly instructions for the table, including tool requirements, time, and personnel.

Tools: A circular icon contains a screwdriver and an Allen key. A power drill is shown with a diagonal line through it, indicating it is not required.

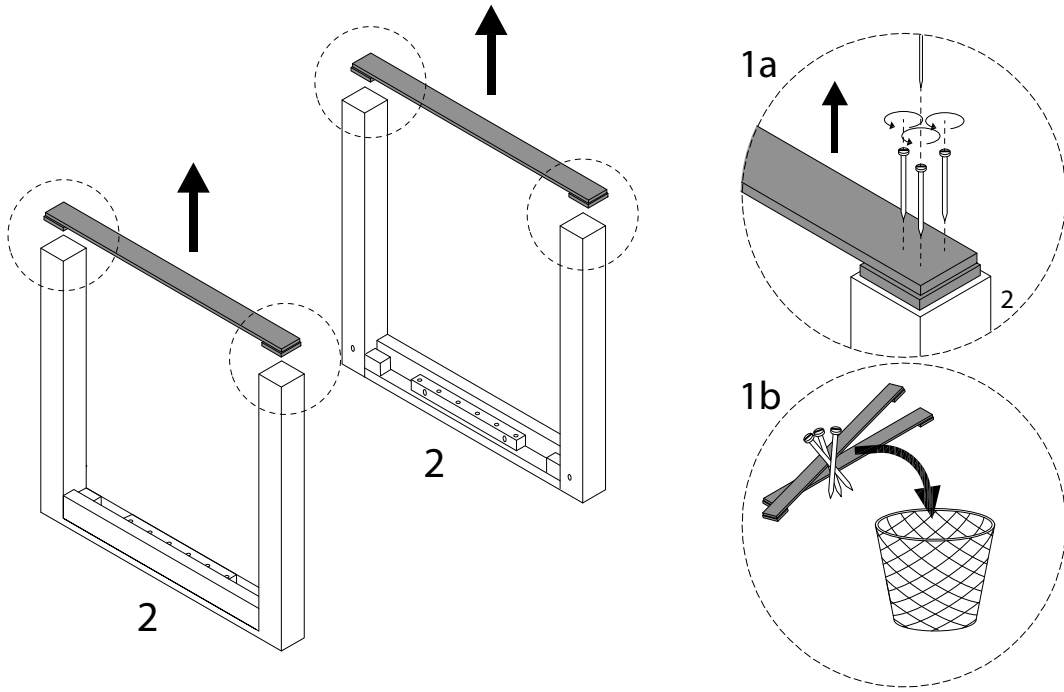
Time: A clock icon is shown with the number 20' below it, indicating an estimated assembly time of 20 minutes.

Personnel: A stick figure icon is shown with the number 2 below it, indicating that two people are required for assembly.

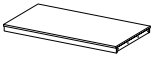
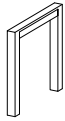
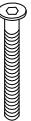

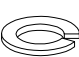
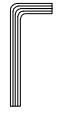
Warnings: Two warning triangles (exclamation marks) are present. The first is connected to the tool icons, and the second is connected to the personnel icon.



!



2

| | | | | | |
|---|---|---|--|---|---|
| <p>1</p>  <p>x 1</p> | <p>2</p>  <p>x 2</p> | <p>A</p>  <p>M6 x 60 x 8</p> | <p>B</p>  <p>x 8</p> | <p>C</p>  <p>x 8</p> | <p>D</p>  <p>x 1</p> |
|---|---|---|--|---|---|

