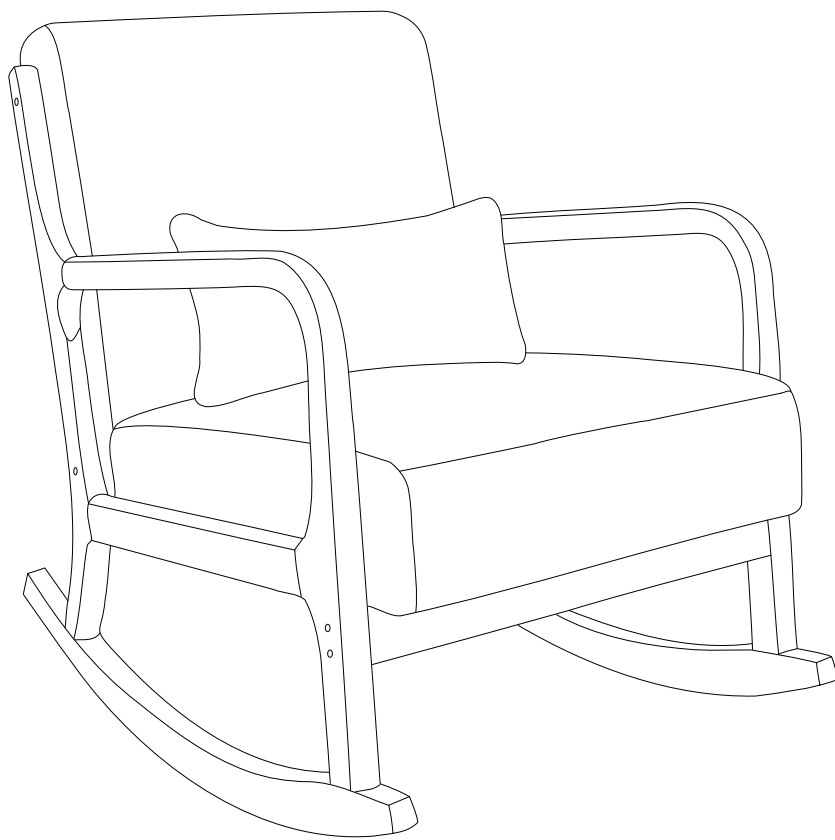
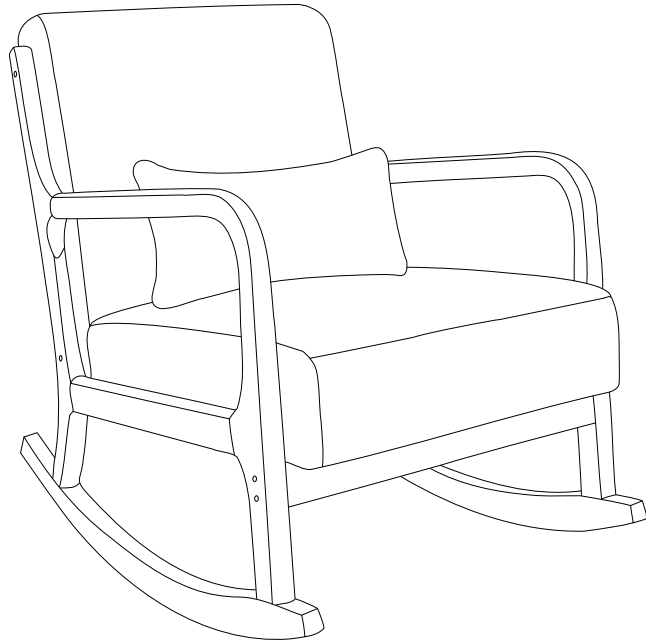
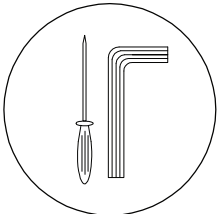
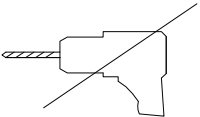

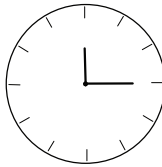
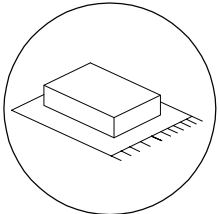
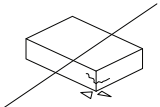


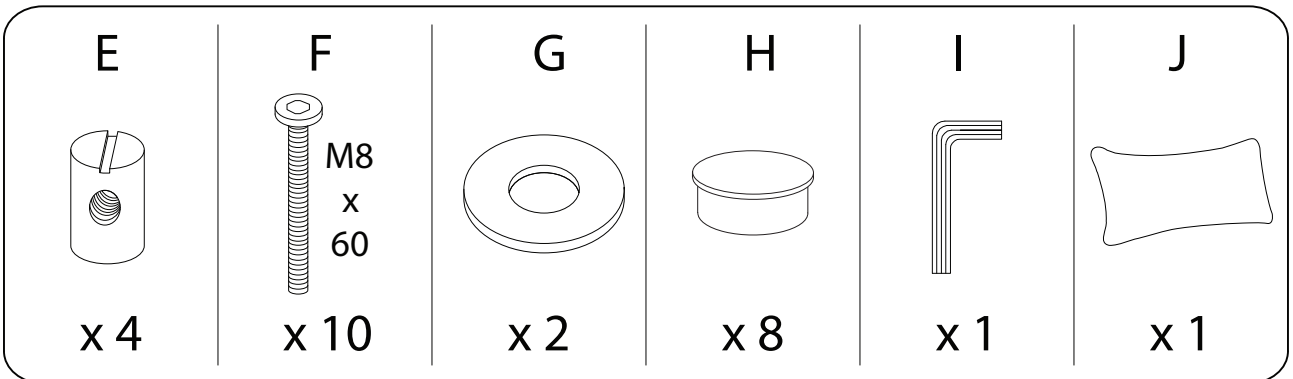
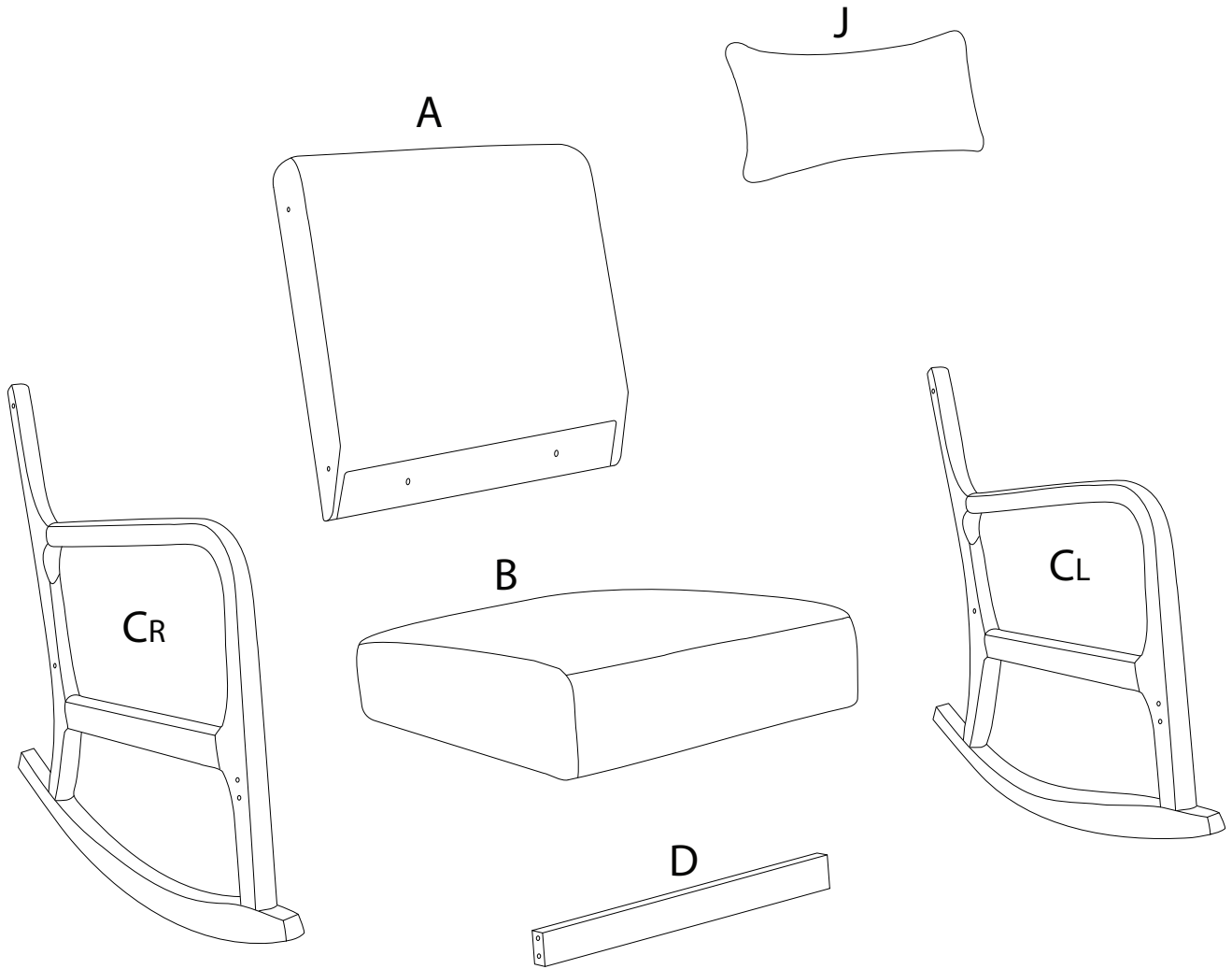
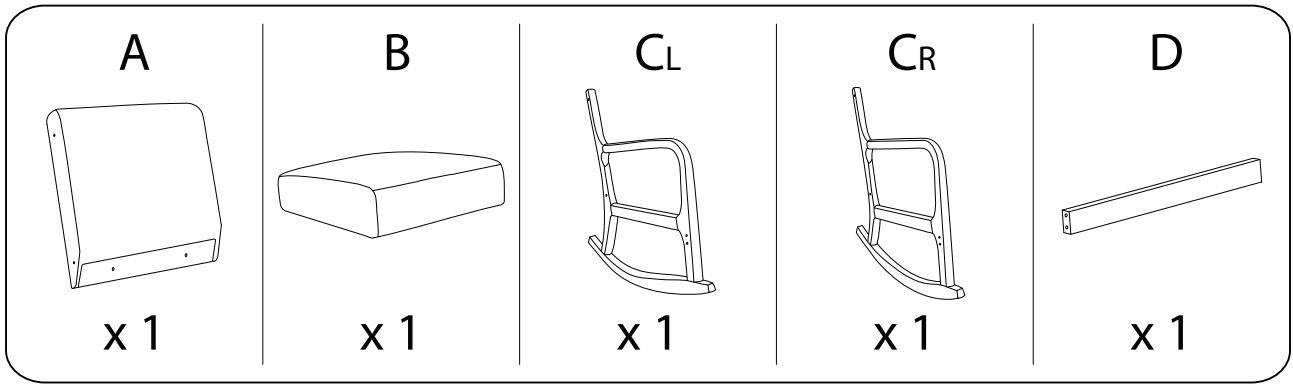


# SKOVDE

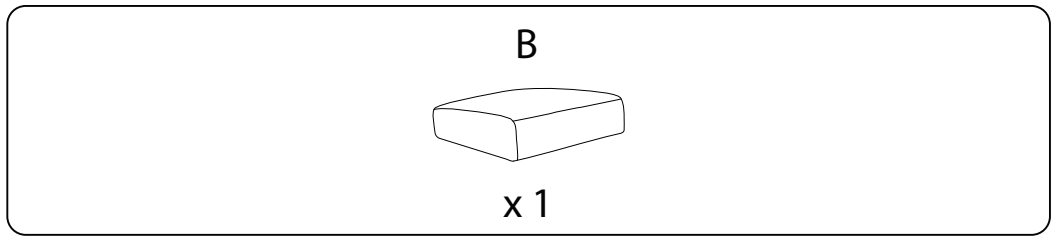




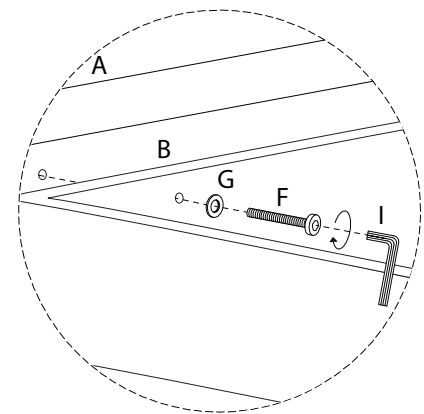
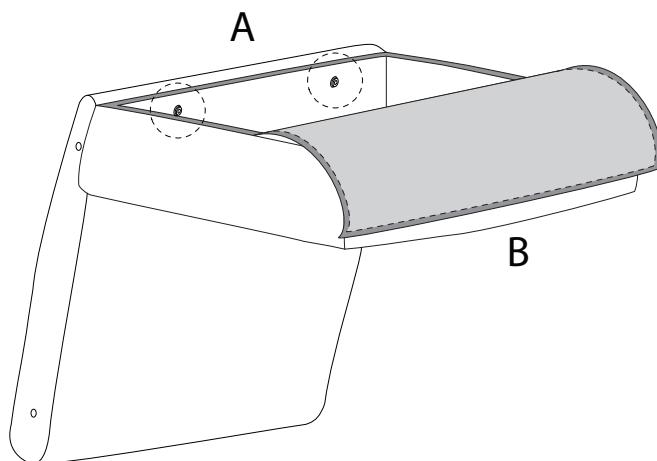
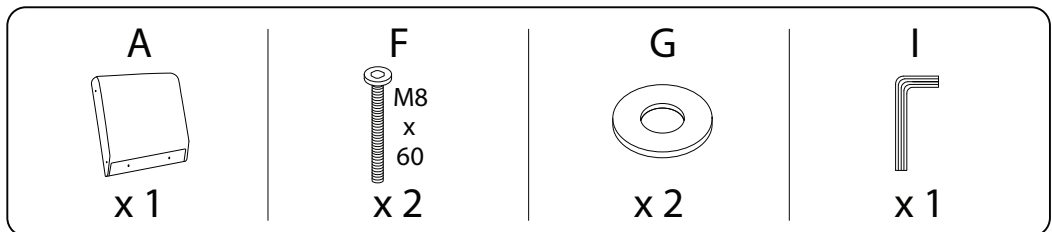
 		
		<b>15'</b>
 		
		<b>2</b>







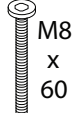
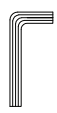
1

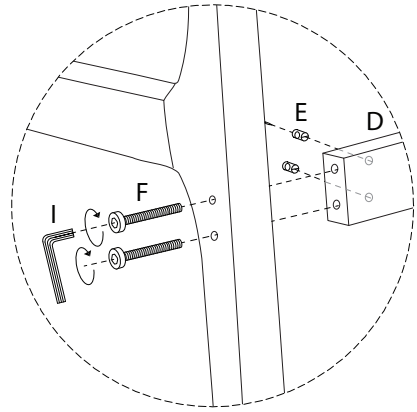
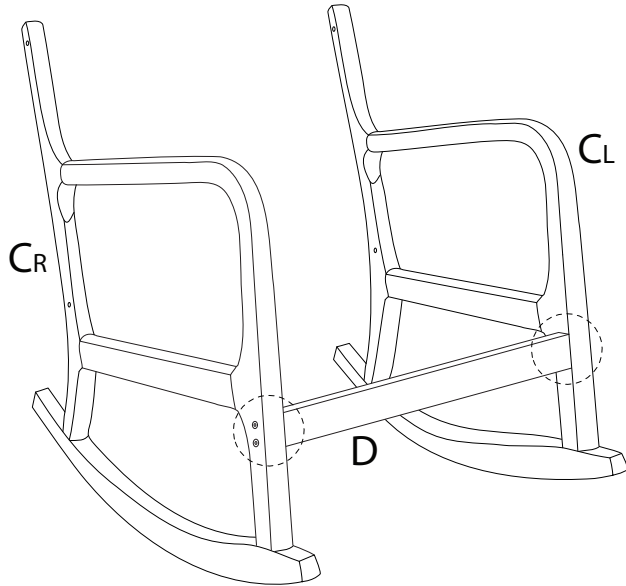


2

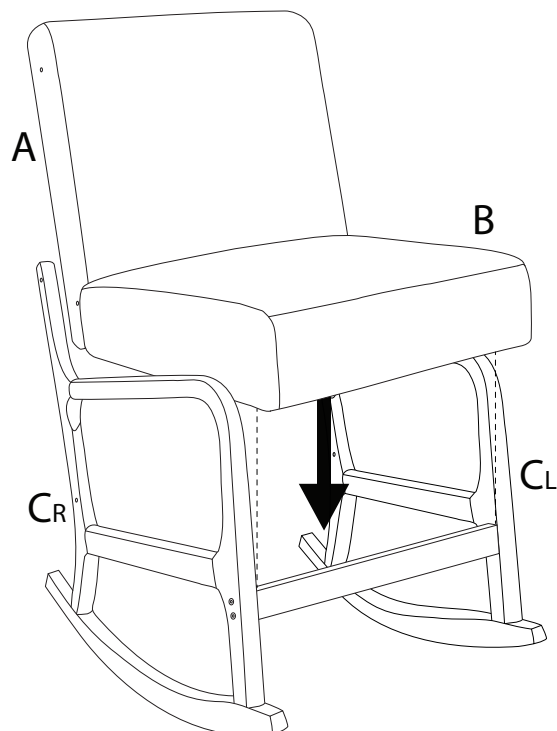


3

 CL x 1	 CR x 1	 D x 1	 E x 4	 F M8 x 60 x 4	 I x 1
------------------------------------------------------------------------------------------------	------------------------------------------------------------------------------------------------	-----------------------------------------------------------------------------------------------	------------------------------------------------------------------------------------------------	------------------------------------------------------------------------------------------------------------------	-------------------------------------------------------------------------------------------------



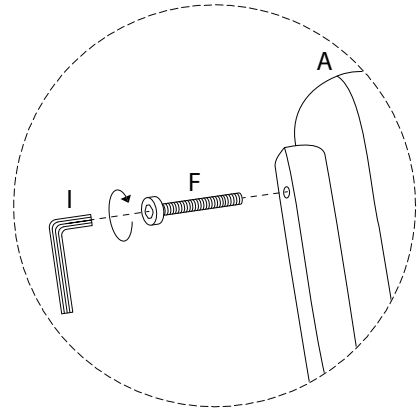
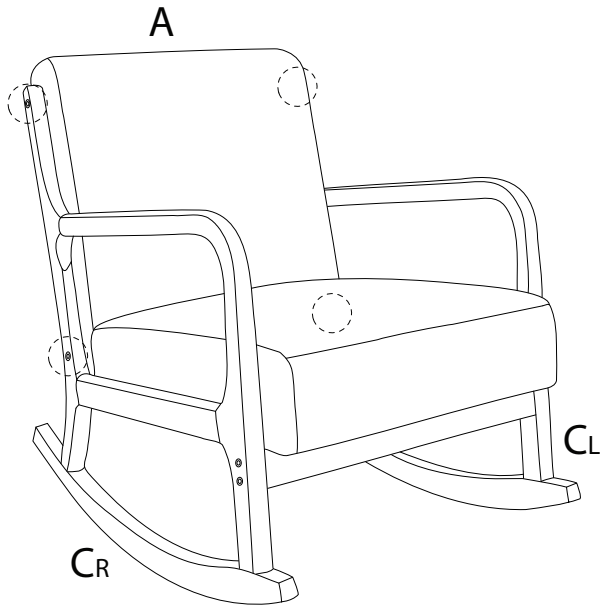
4



5

F  
M8  
x  
60  
x 4

I  
x 1

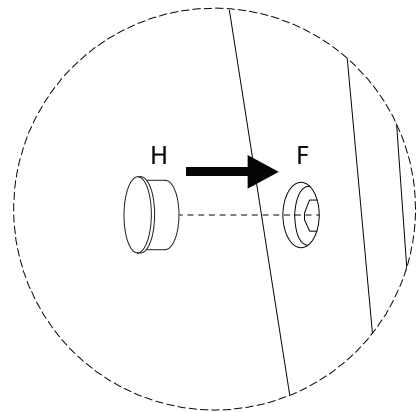
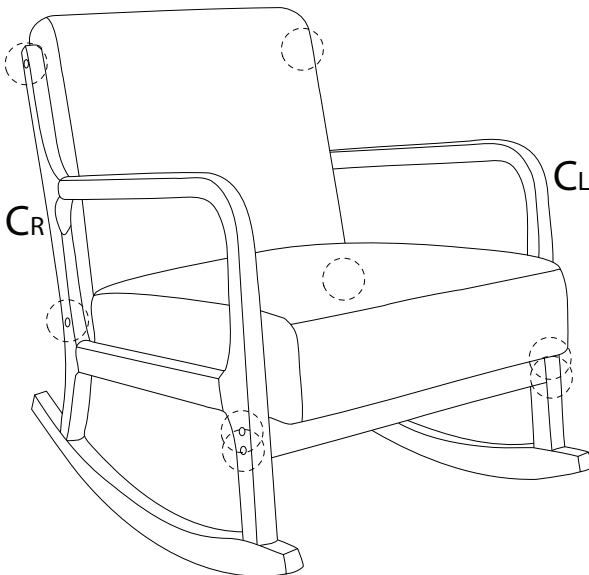


6

H



x 8



7

J



x1

J

