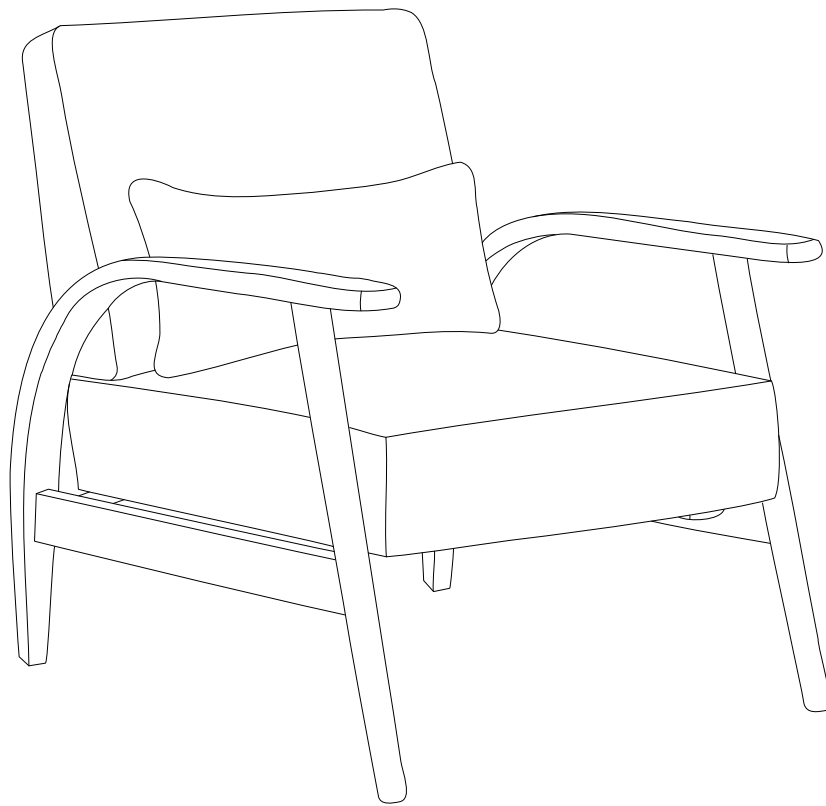
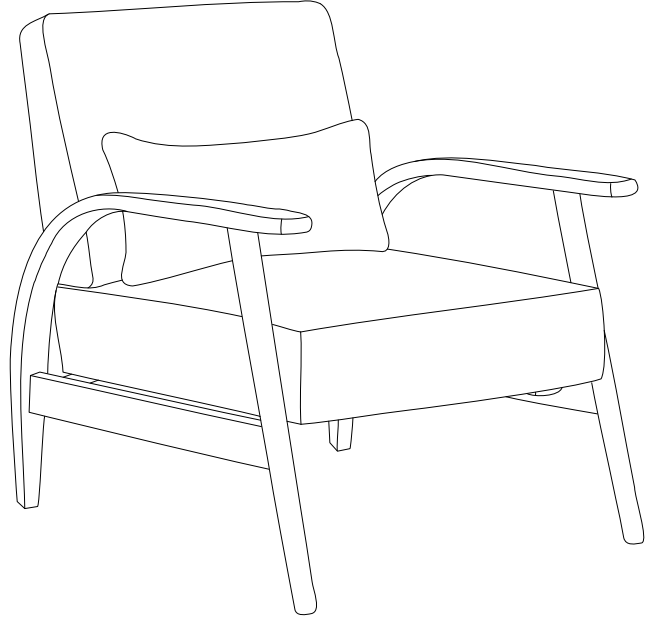
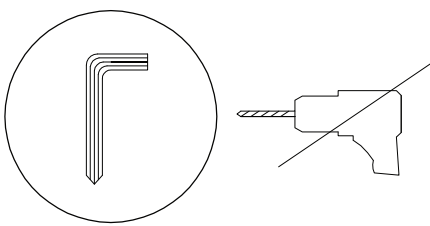

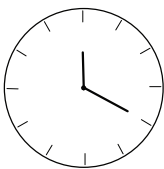
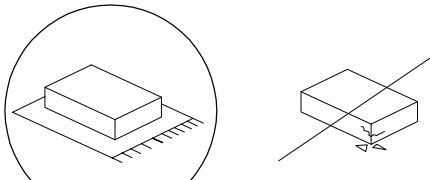

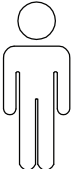
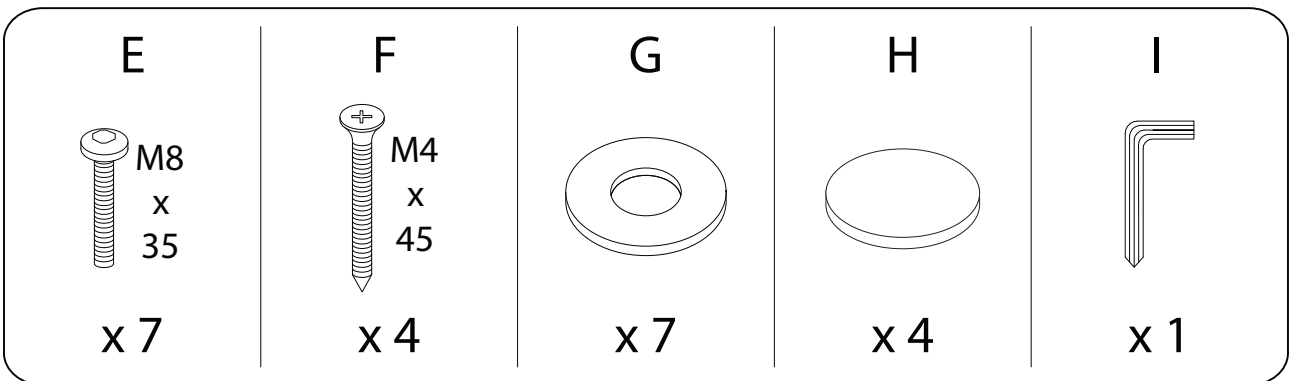
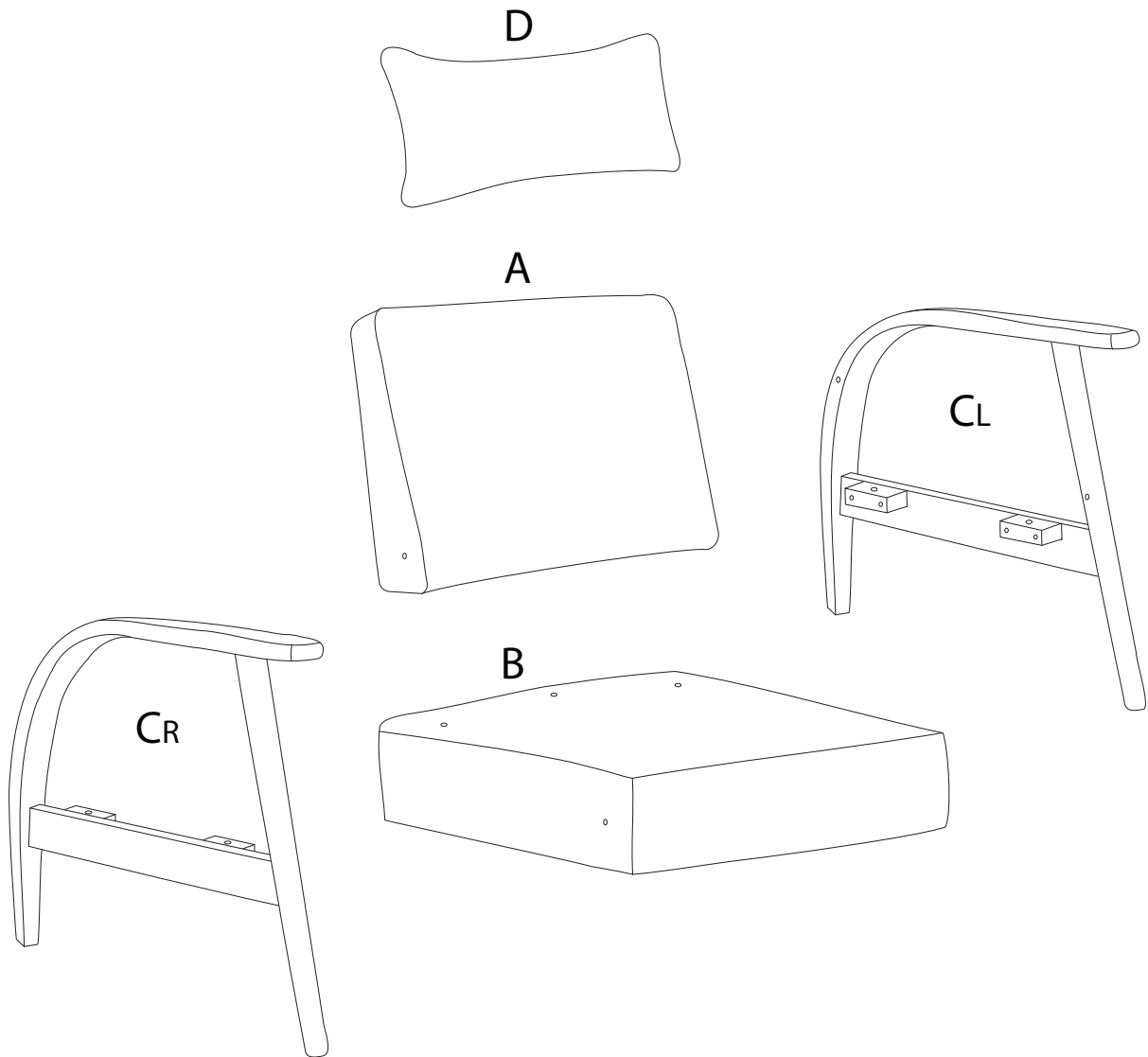
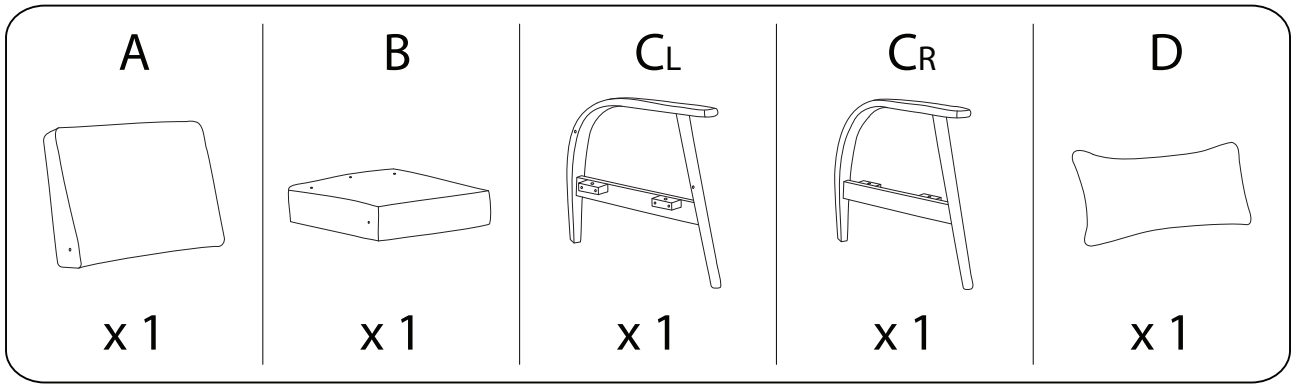


SKARA

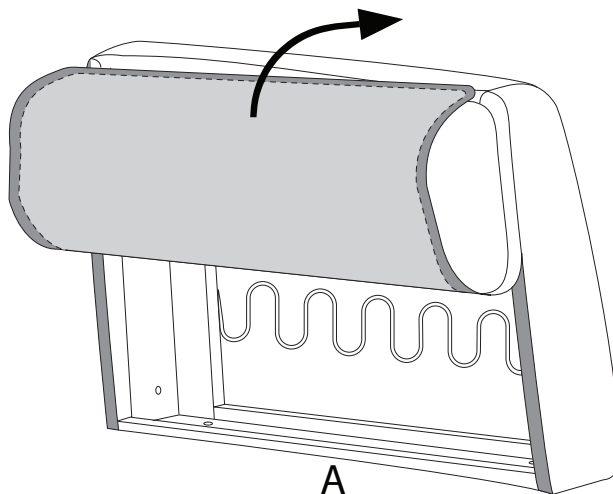
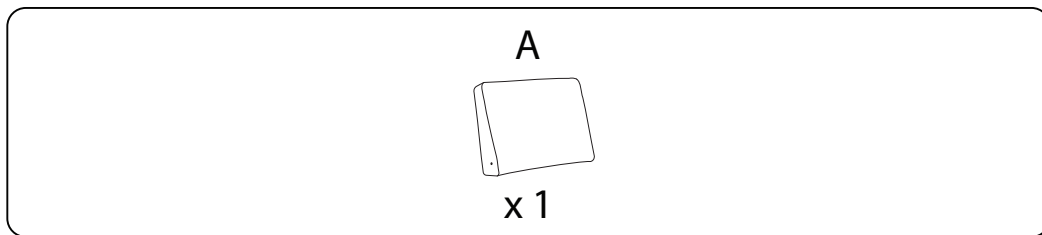




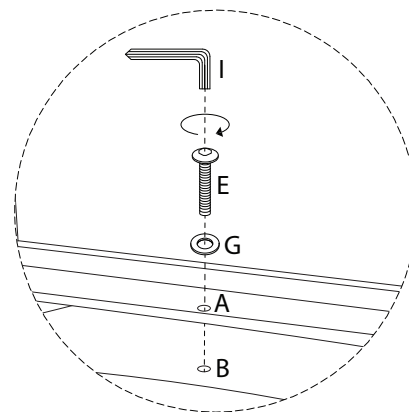
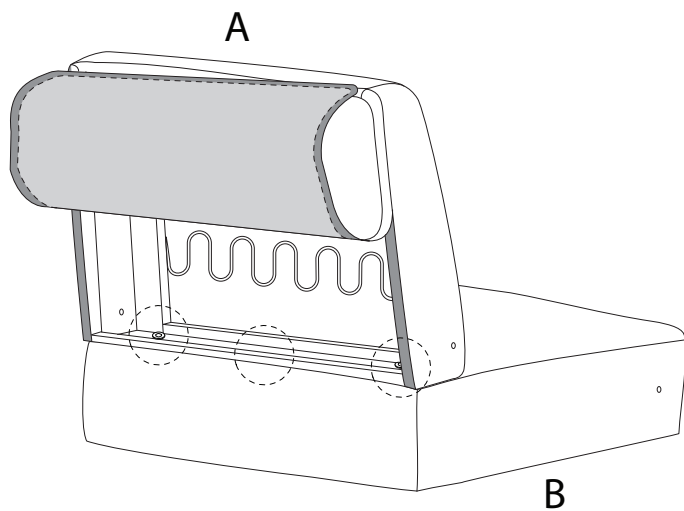
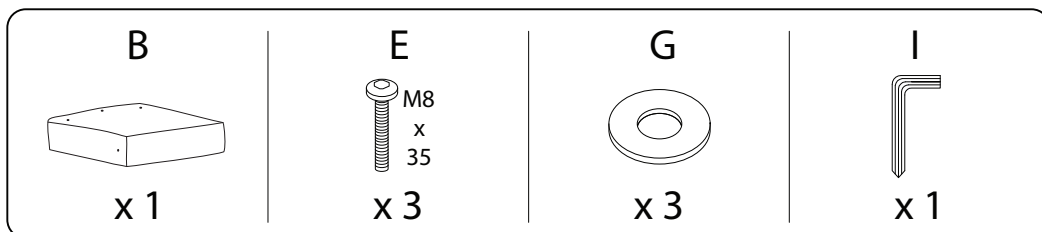
		
		20'
		
		1



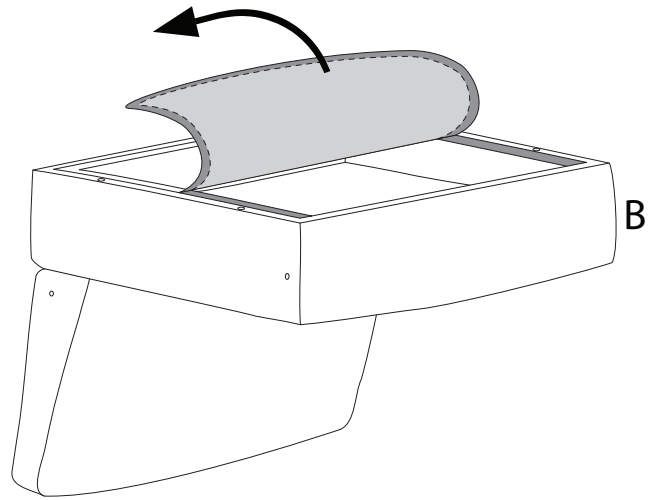
1



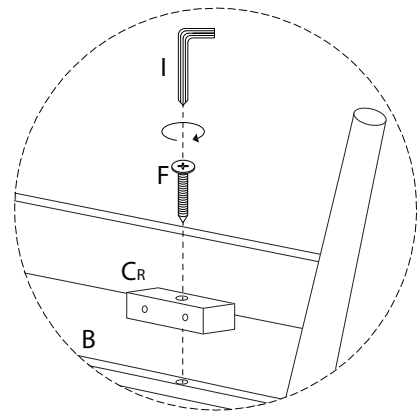
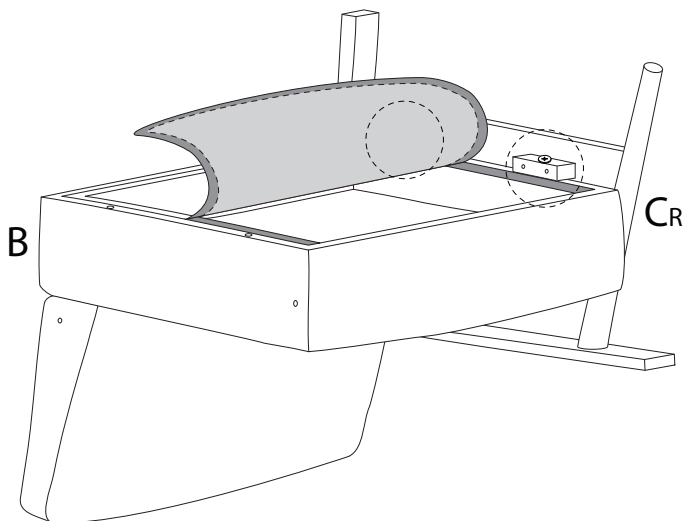
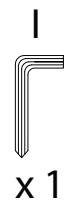
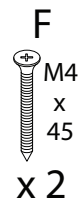
2



3



4

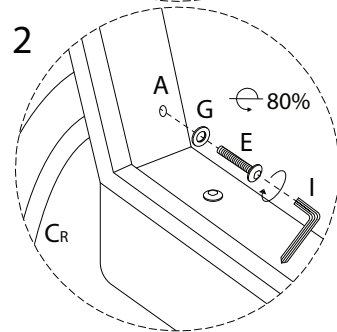
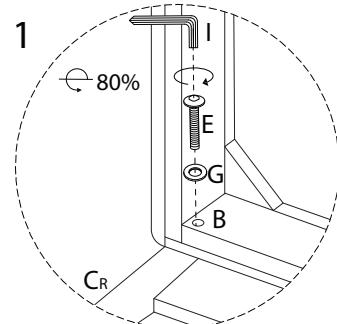
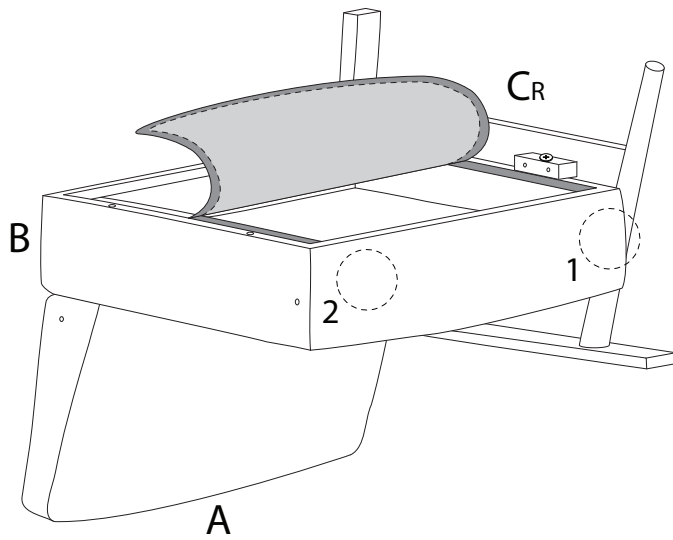


5

E
M8
x
35
x 2

G
x 2

I
x 1

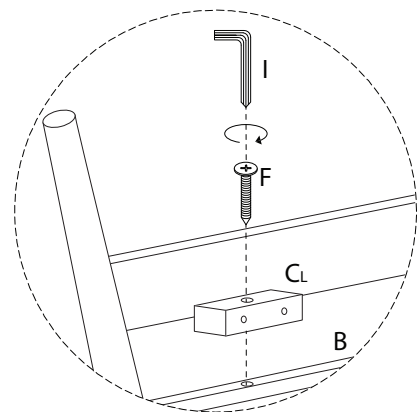
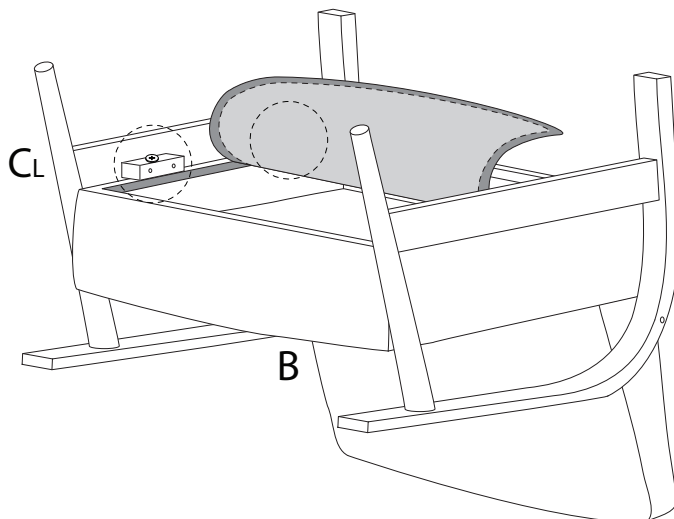


6

CL
x 1

F
M4
x
45
x 2

I
x 1

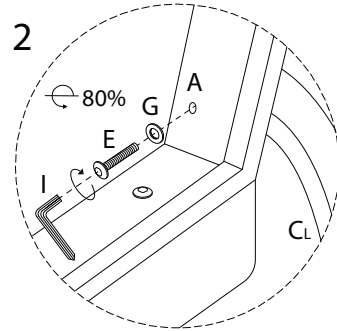
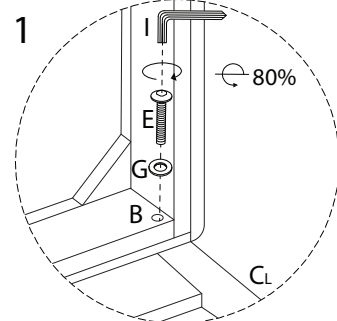
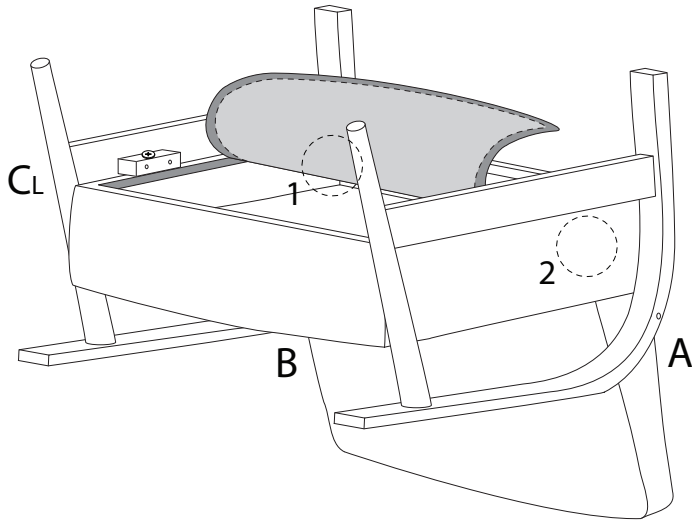


7

E
M8
x
35
x 2

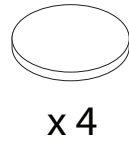
G
x 2

I
x 1

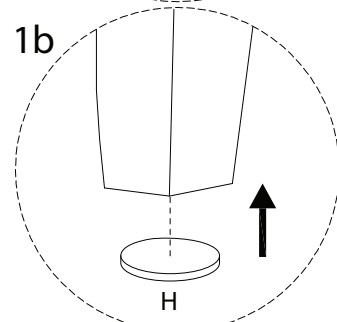
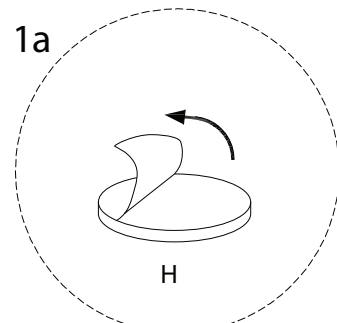
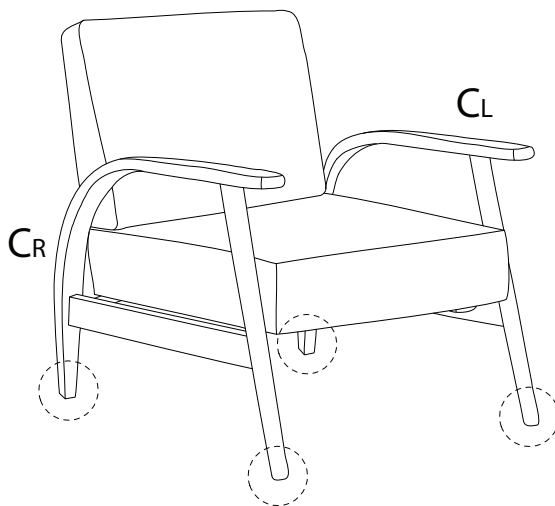


8

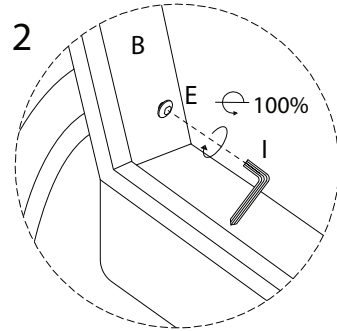
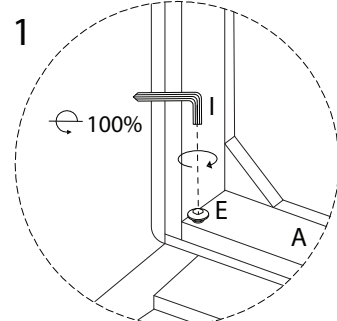
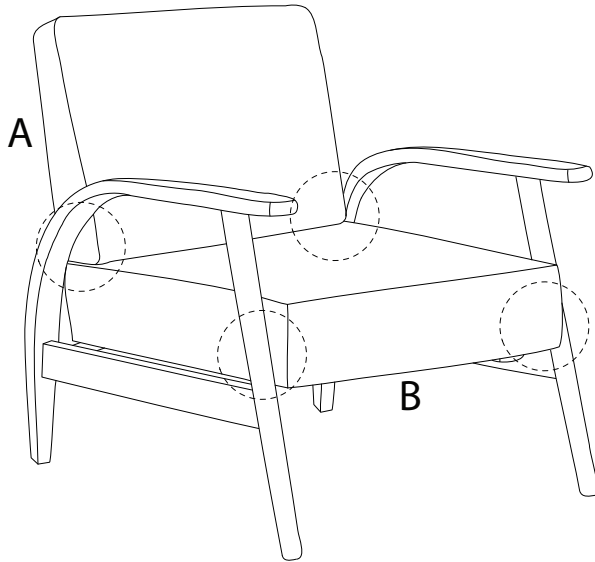
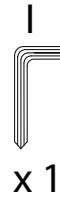
H



x 4



9



10

