

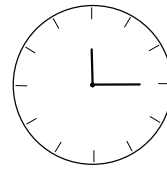
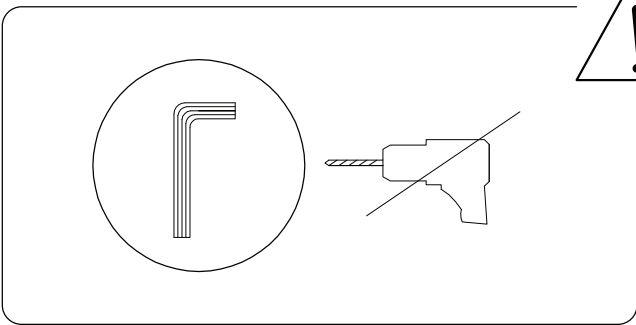
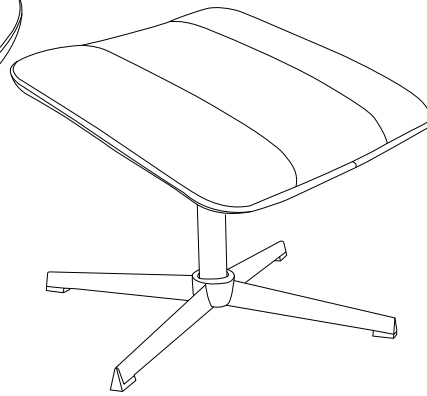
LIA



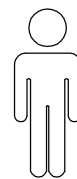
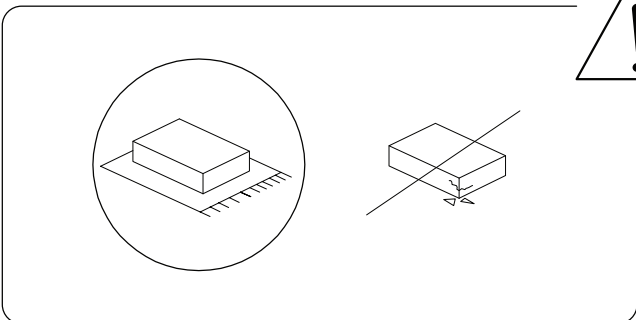
A



B



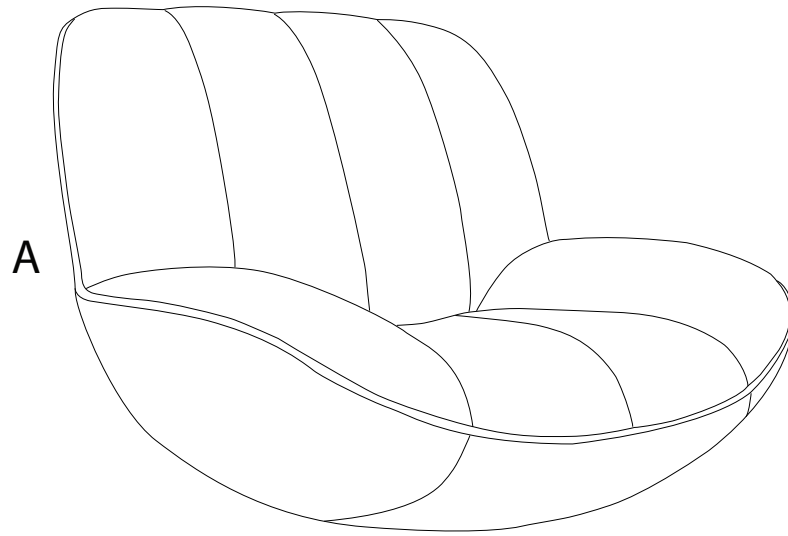
15'



1

1/5

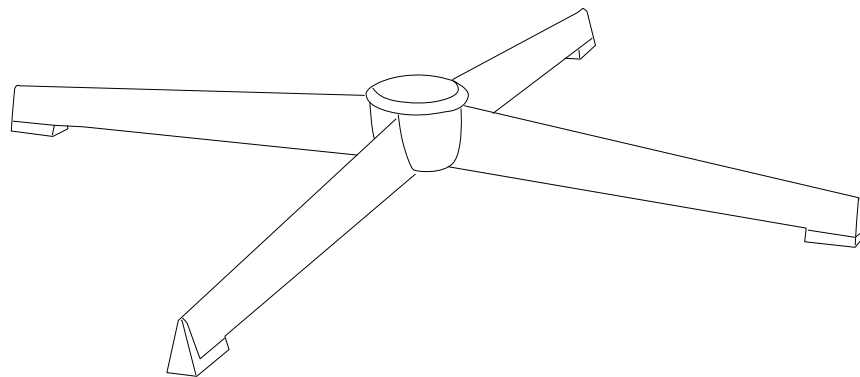
A



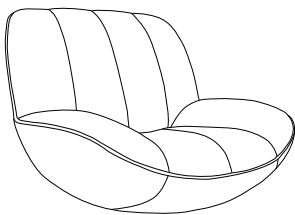
B



C



A



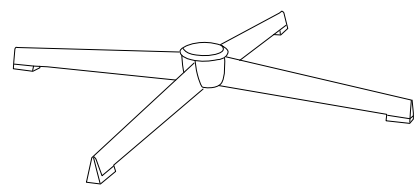
x 1

B



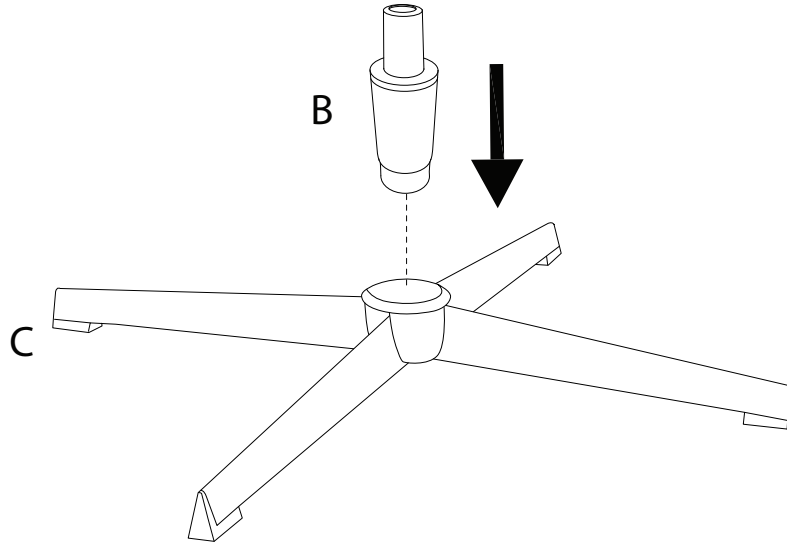
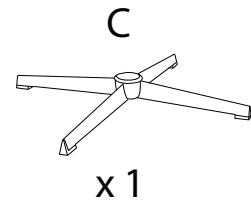
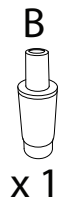
x 1

C

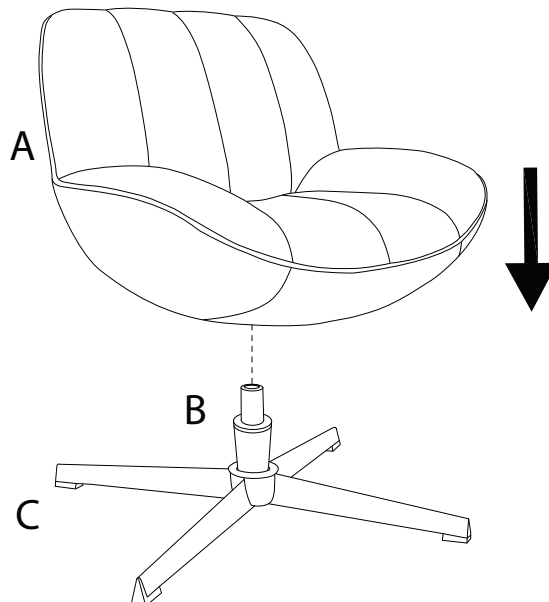
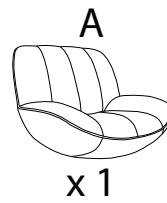


x 1

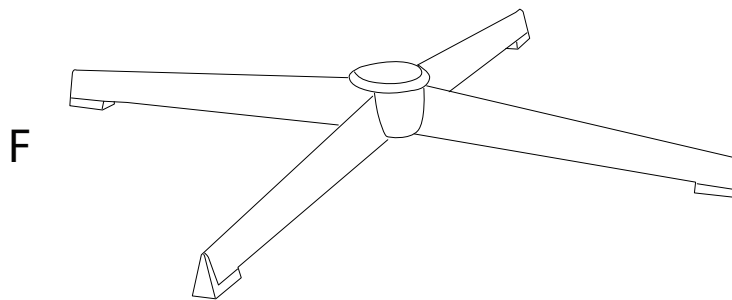
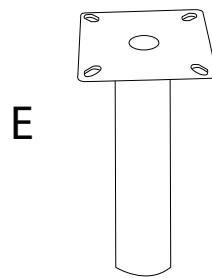
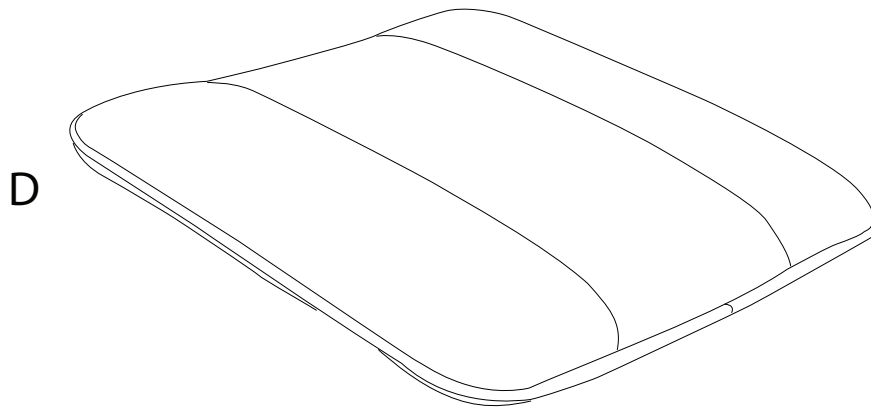
1

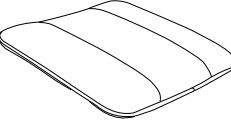
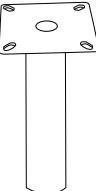
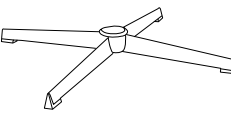
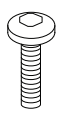



2

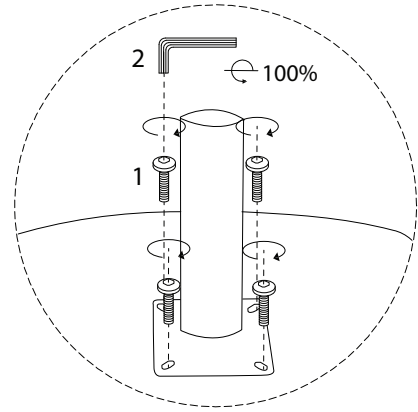
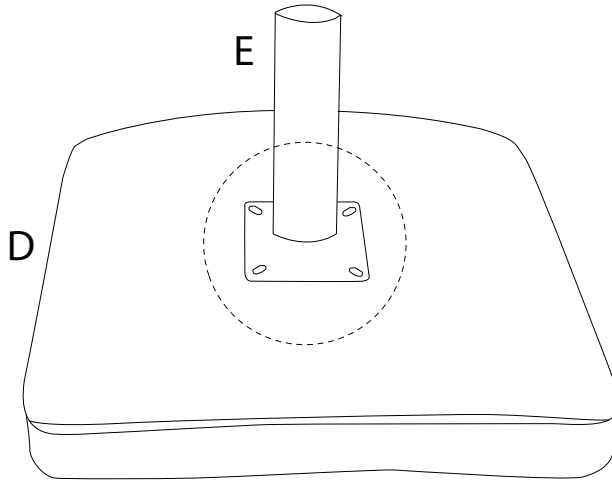
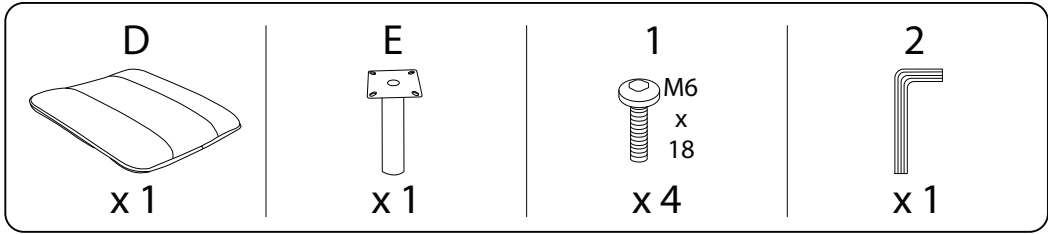


B



<p>D</p>  <p>x 1</p>	<p>E</p>  <p>x 1</p>	<p>F</p>  <p>x 1</p>	<p>1</p>  <p>M6 x 18</p> <p>x 4</p>	<p>2</p>  <p>x 1</p>
---	---	---	--	---

1



2

