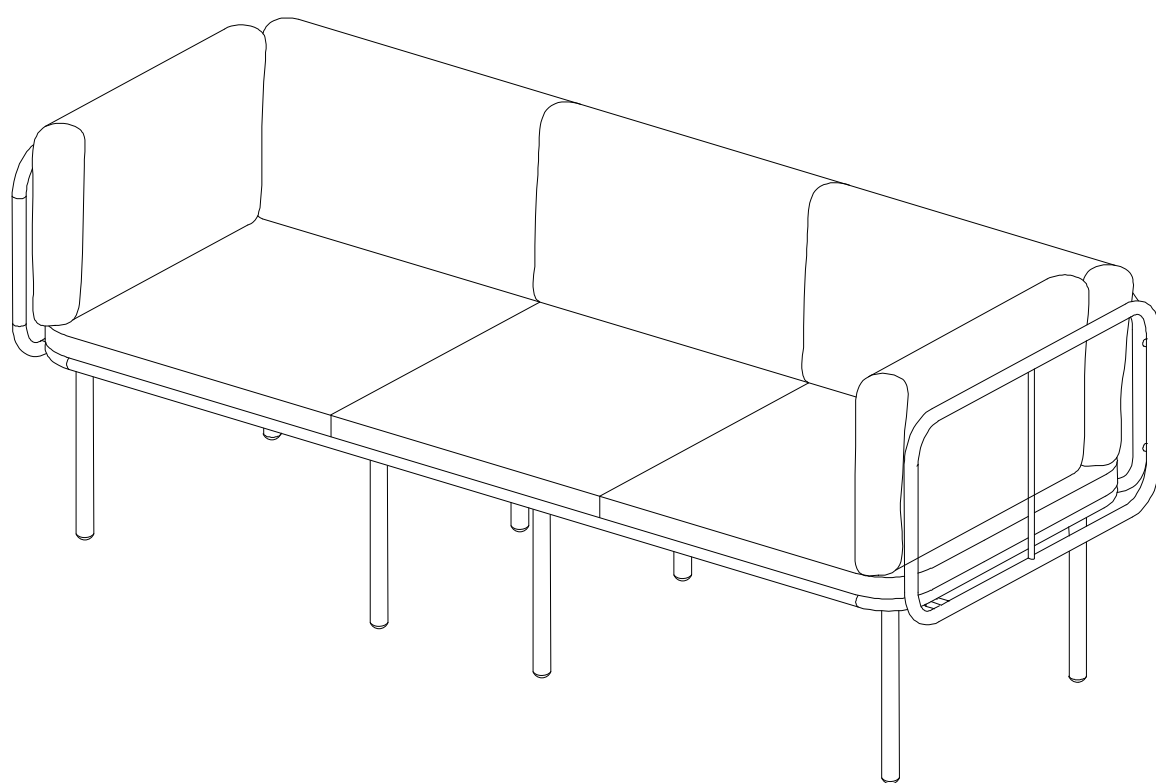


# SENISE



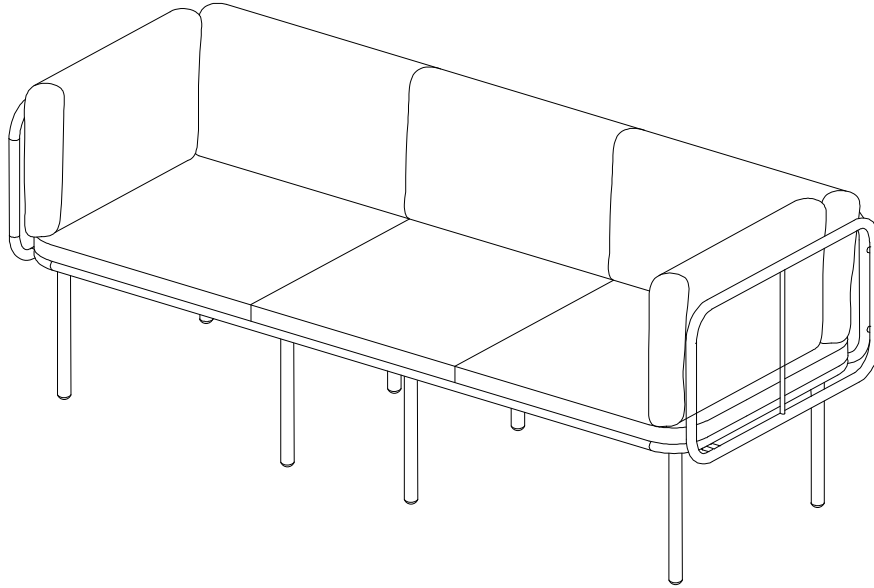
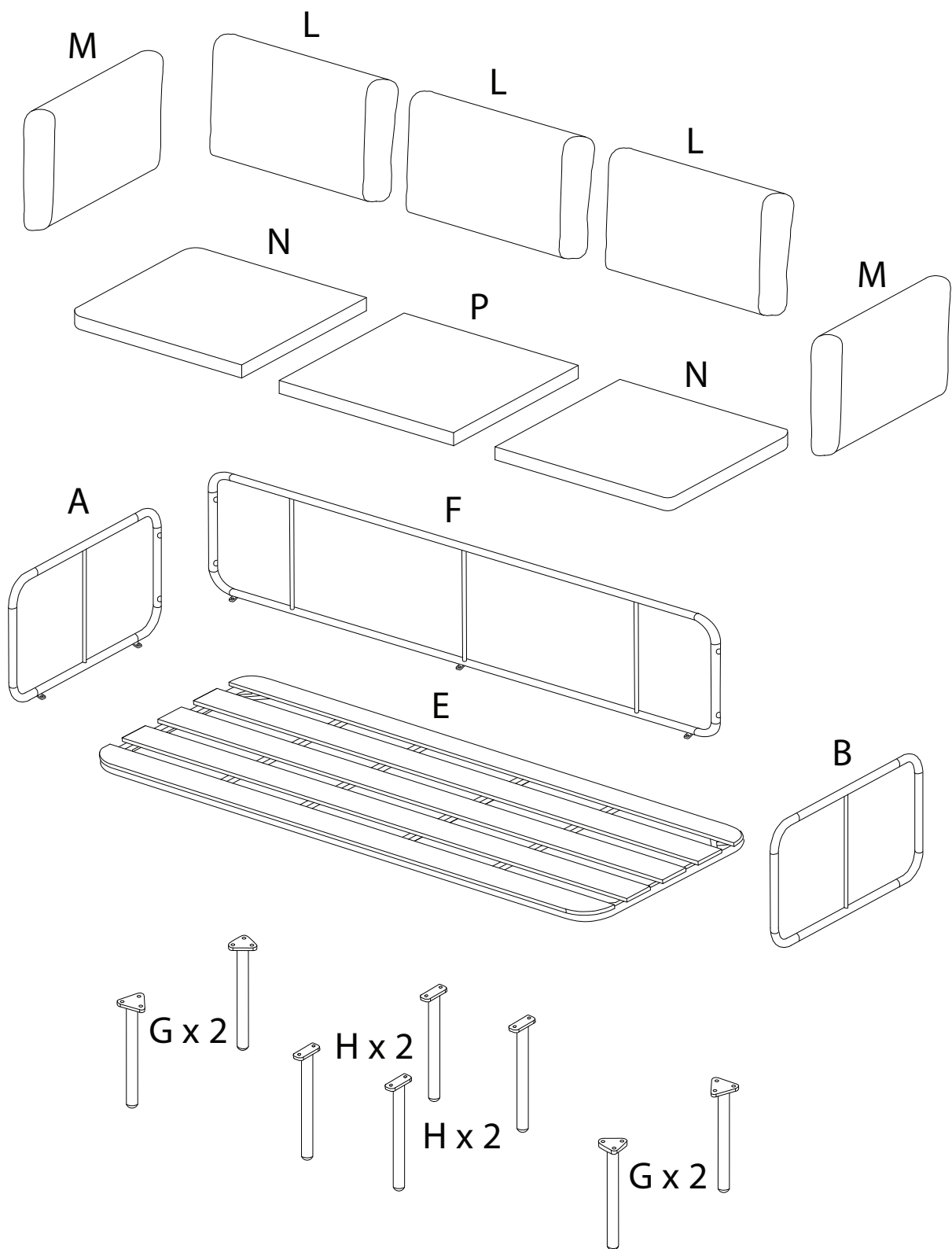
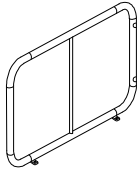


Diagram illustrating assembly instructions and safety warnings:

- Warning 1:** A warning triangle with an exclamation mark is shown next to a box containing an L-shaped metal bracket and a crossed-out power drill icon, indicating that a power drill should not be used for this step.
- Warning 2:** A second warning triangle with an exclamation mark is shown next to a box containing a rectangular block being placed on a textured surface and a crossed-out icon of the block being placed on a smooth surface, indicating that the block should be placed on a textured surface.
- Time:** A clock icon is shown next to the text "30'", indicating a 30-minute assembly time.
- Personnel:** An icon of a person is shown next to the number "2", indicating that two people are required for assembly.

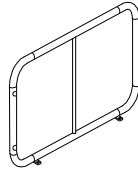


A



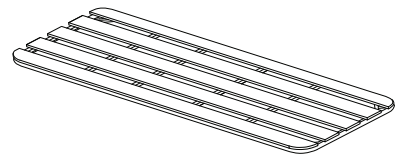
x 1

B



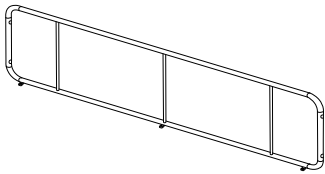
x 1

E



x 1

F



x 1

G



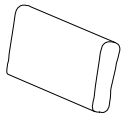
x 4

H



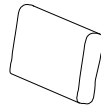
x 4

L



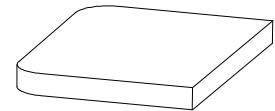
x 3

M



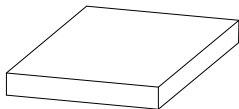
x 2

N



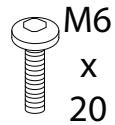
x 2

P



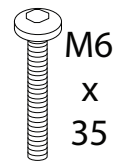
x 1

W



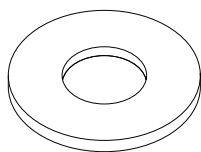
x 27

X



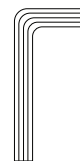
x 4

Y



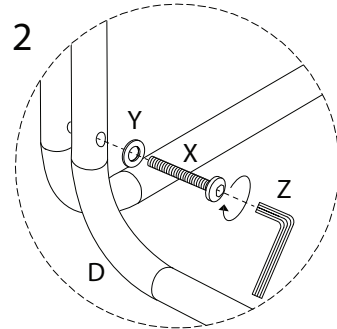
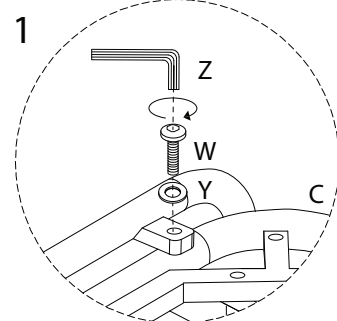
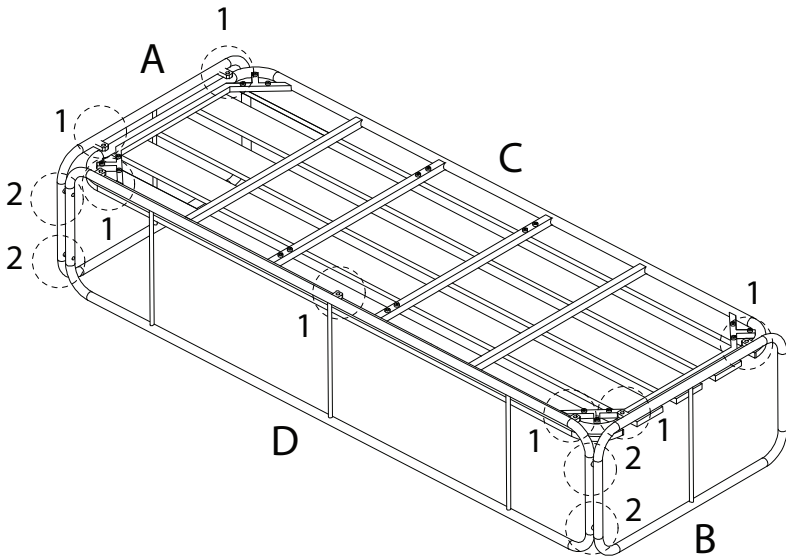
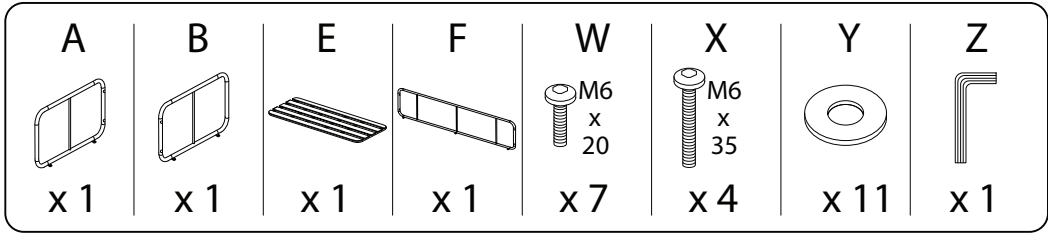
x 31

Z

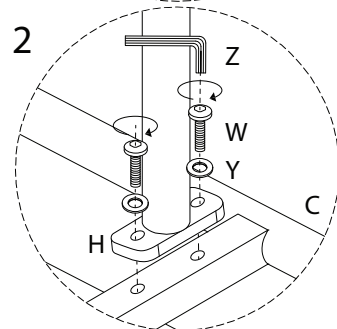
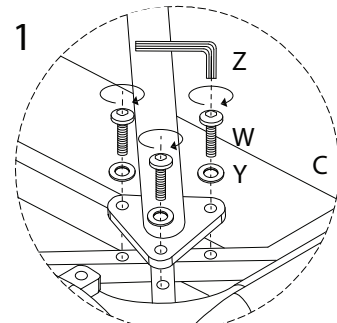
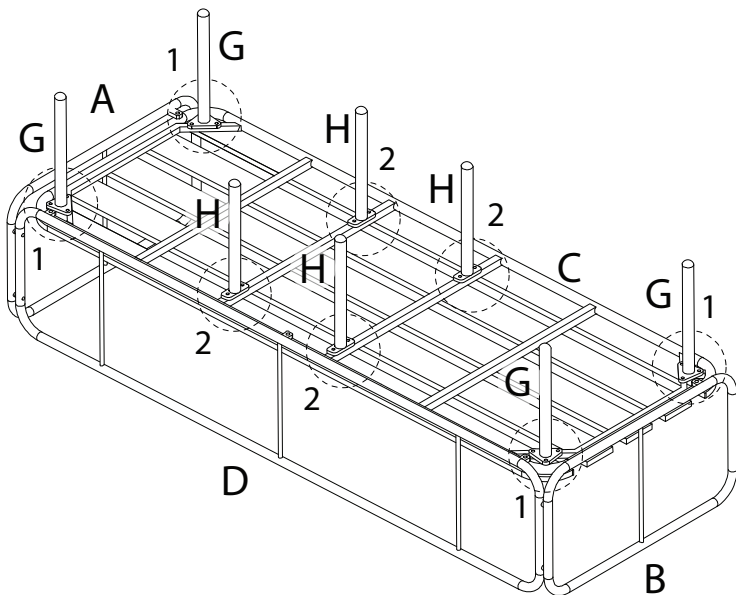
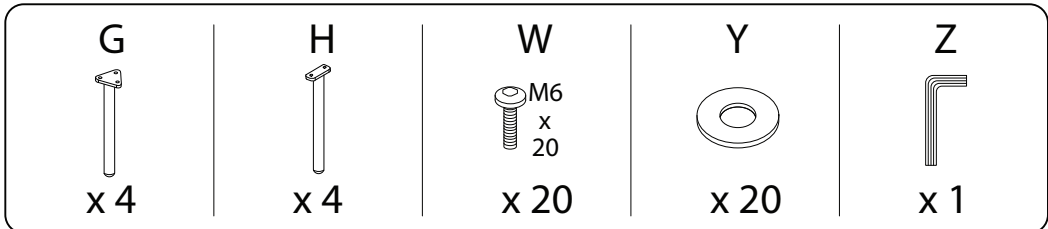


x 1

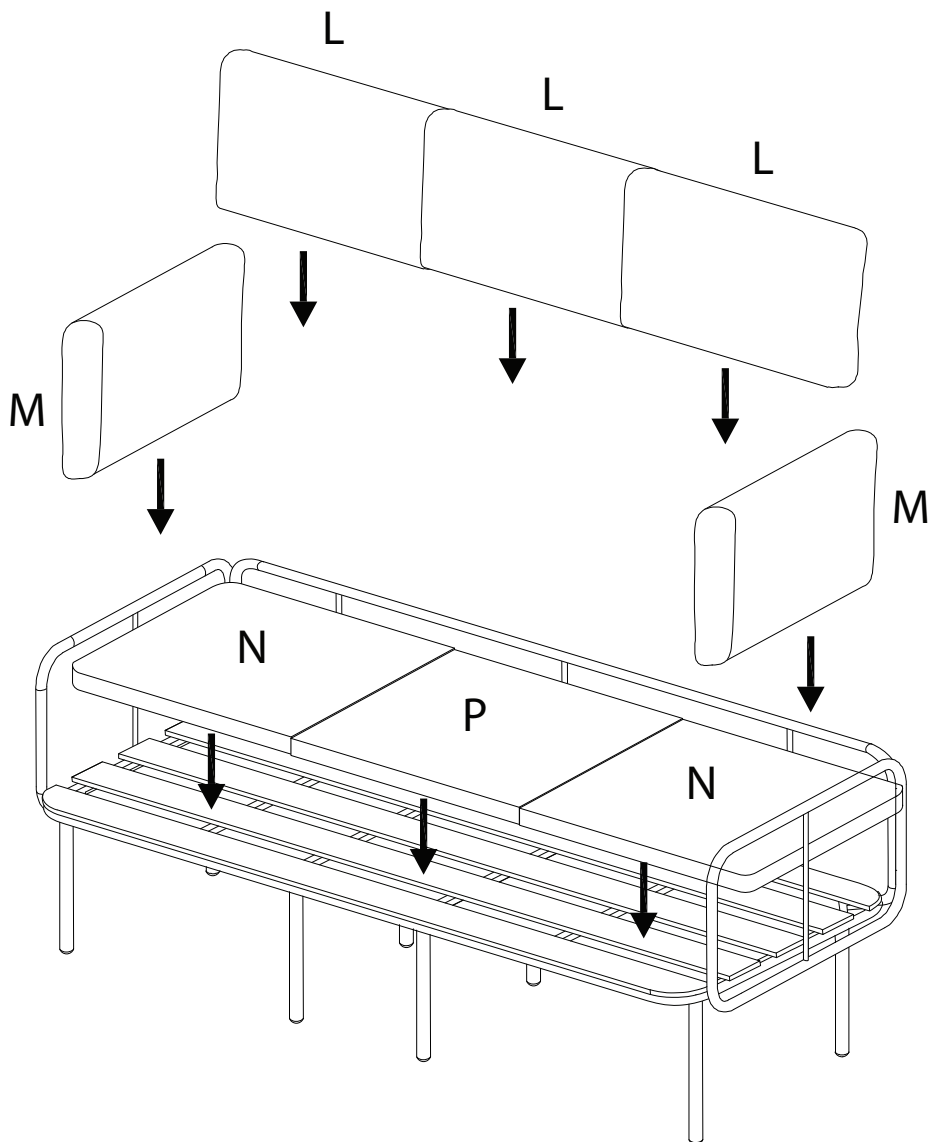
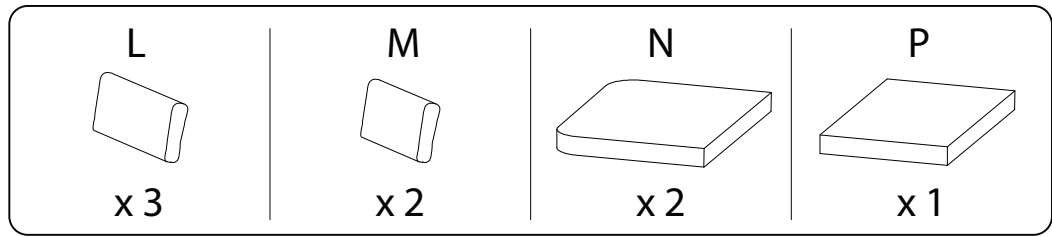
1



2



3



!

