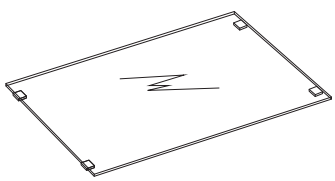
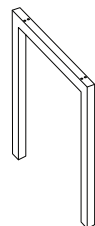
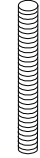
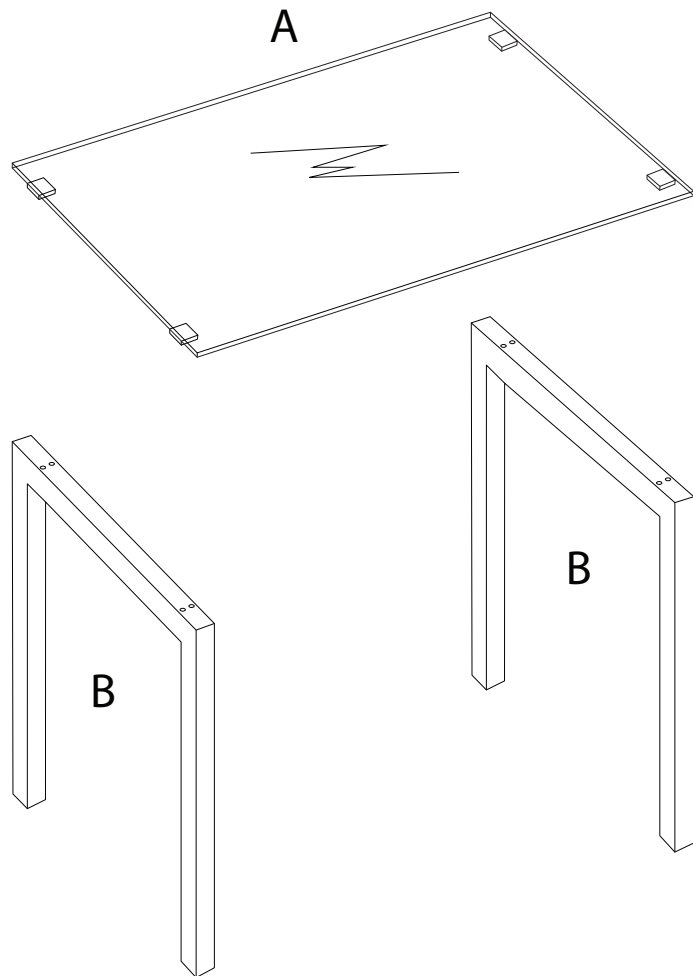
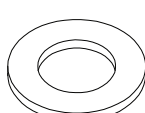
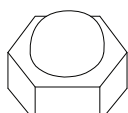
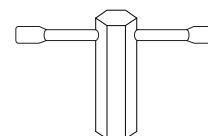
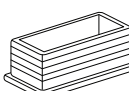


Diagram illustrating assembly instructions and safety warnings:

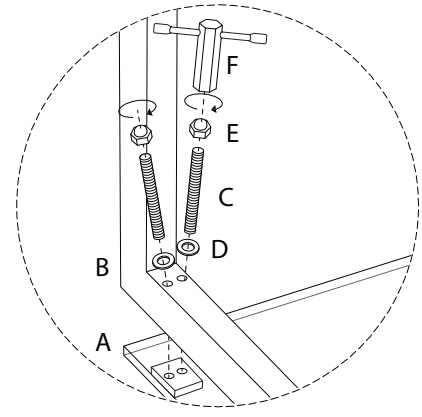
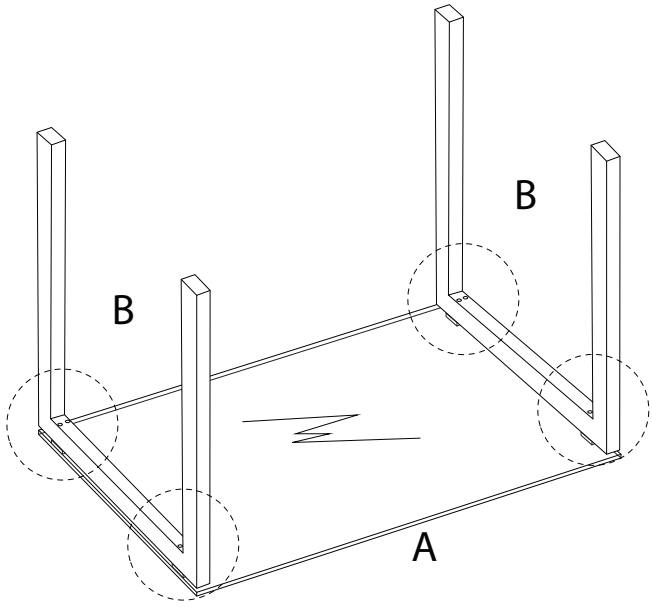
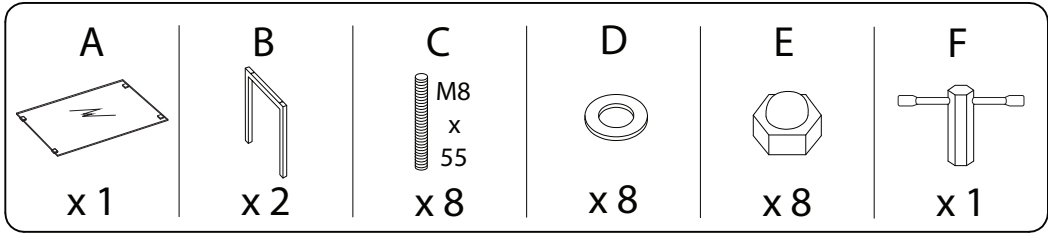
- Top Section:** Shows a circular inset with a bolt and nut, and a crossed-out power drill icon. To the right is a warning triangle with an exclamation mark. Below this is a clock icon and the text "40'".
- Bottom Section:** Shows a circular inset with a rectangular block being placed on a textured surface, and a crossed-out icon of the block being lifted. To the right is a warning triangle with an exclamation mark. Below this is a person icon and the text "2".

<p>A</p>  <p>x 1</p>	<p>B</p>  <p>x 2</p>	<p>C</p>  <p>M8 x 55</p> <p>x 8</p>
---	---	--



<p>D</p>  <p>x 8</p>	<p>E</p>  <p>x 8</p>	<p>F</p>  <p>x 1</p>	<p>G</p>  <p>x 4</p>
---	---	--	---

1



2

