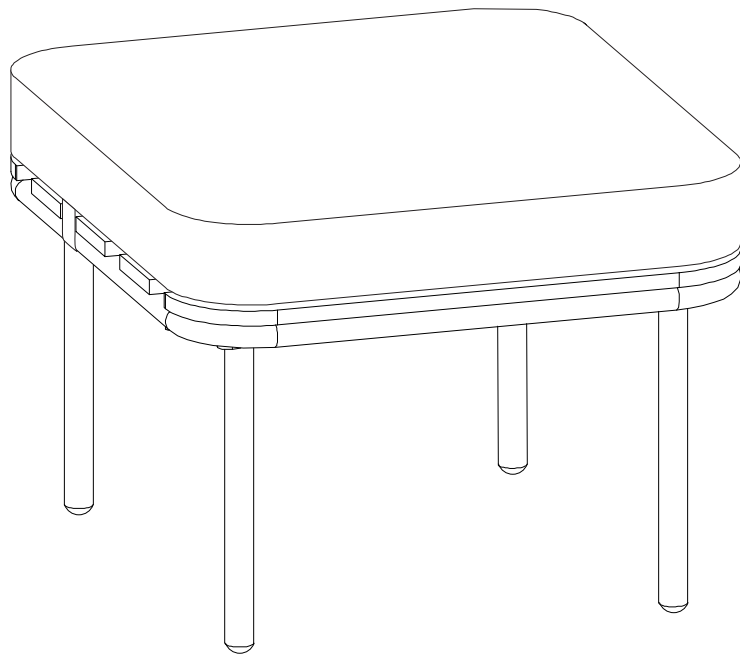


SENISE



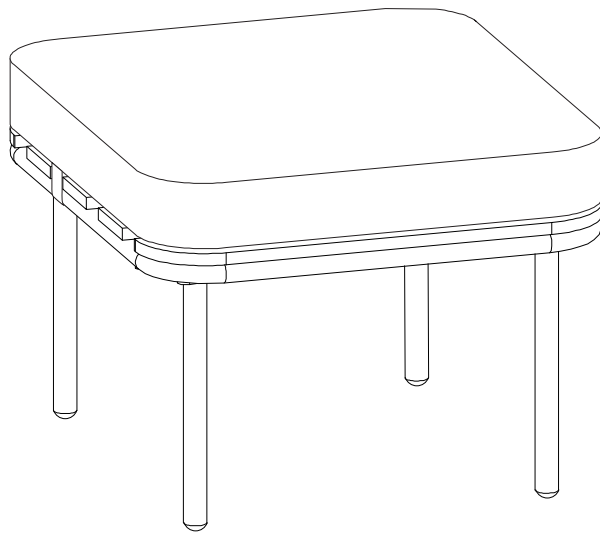
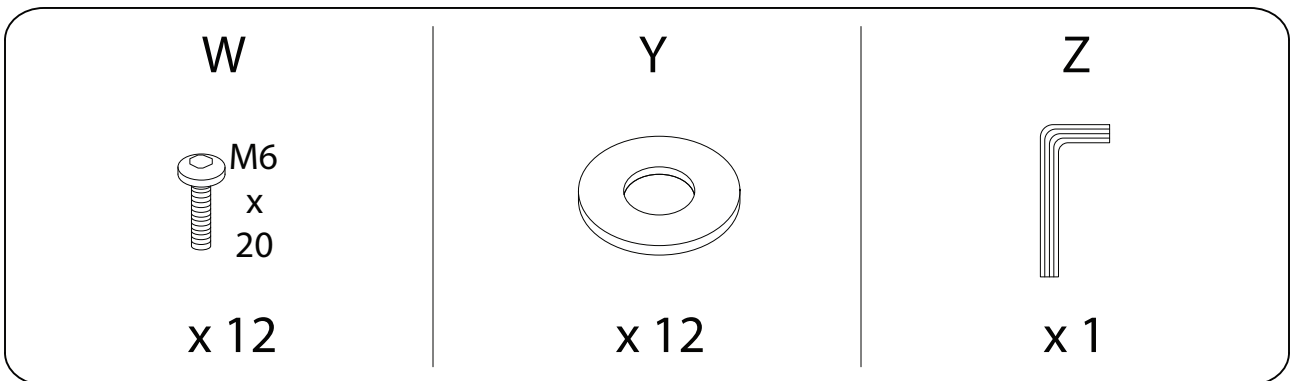
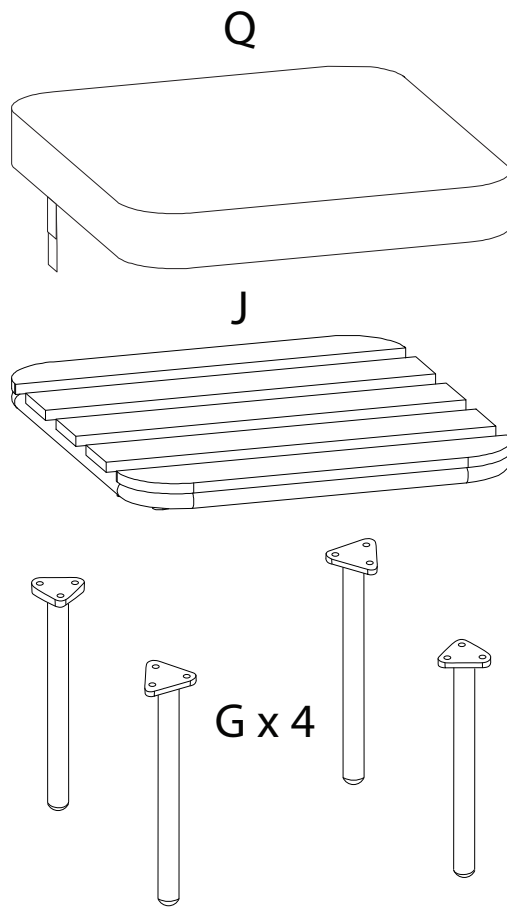
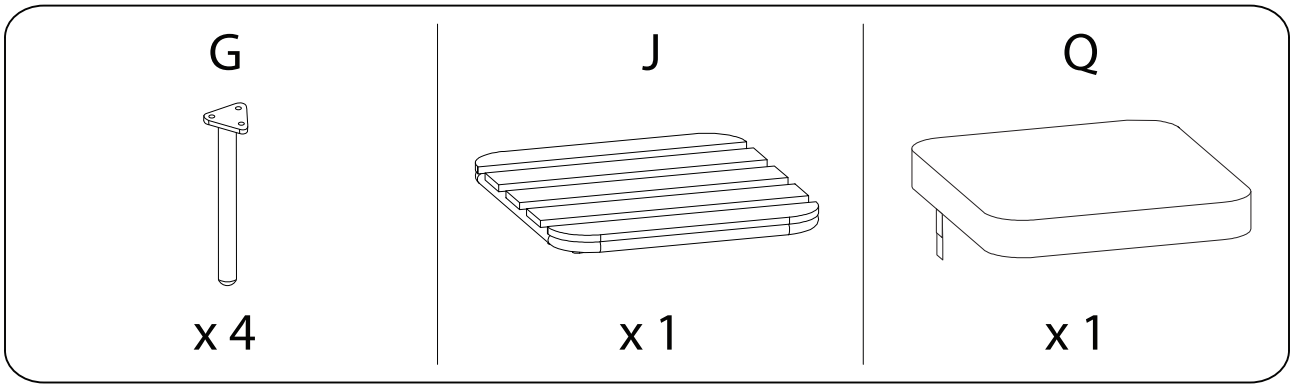


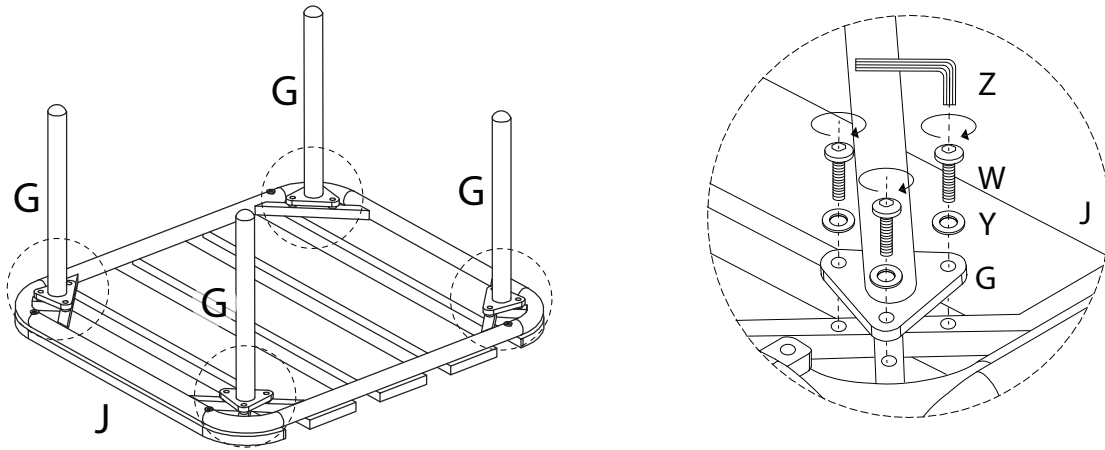
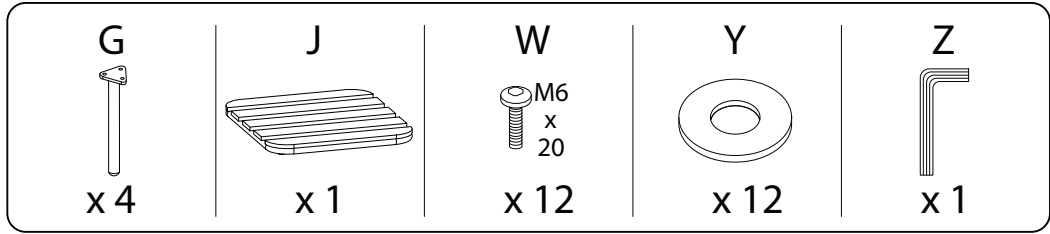
Diagram illustrating assembly instructions and safety warnings:

- Top Section:** Shows an L-shaped bracket and a power drill with a slash through it, indicating that a power drill should not be used. A warning triangle with an exclamation mark is positioned to the right. Below this is a clock icon and the text "15'", indicating a 15-minute assembly time.
- Bottom Section:** Shows a rectangular block being placed on a surface and another block being secured with a screw. A warning triangle with an exclamation mark is positioned to the right. Below this is a person icon and the number "1", indicating that one person is required for assembly.

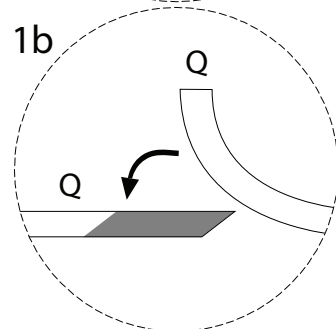
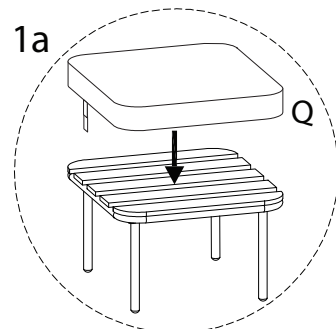
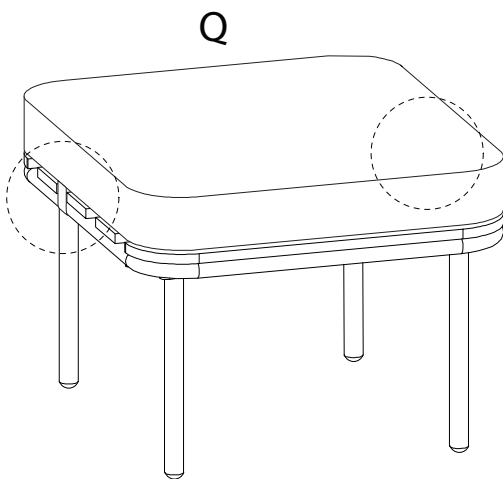
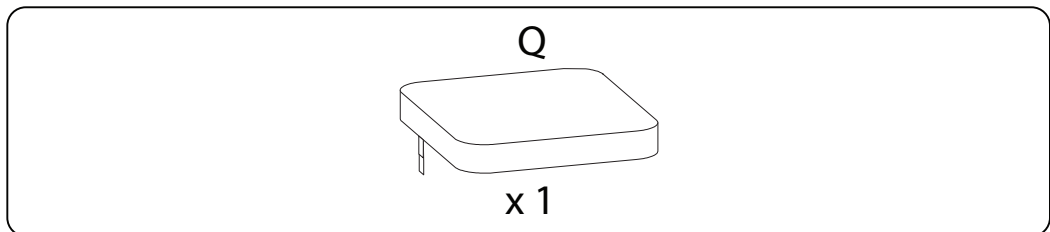
1/4



1



2



!

