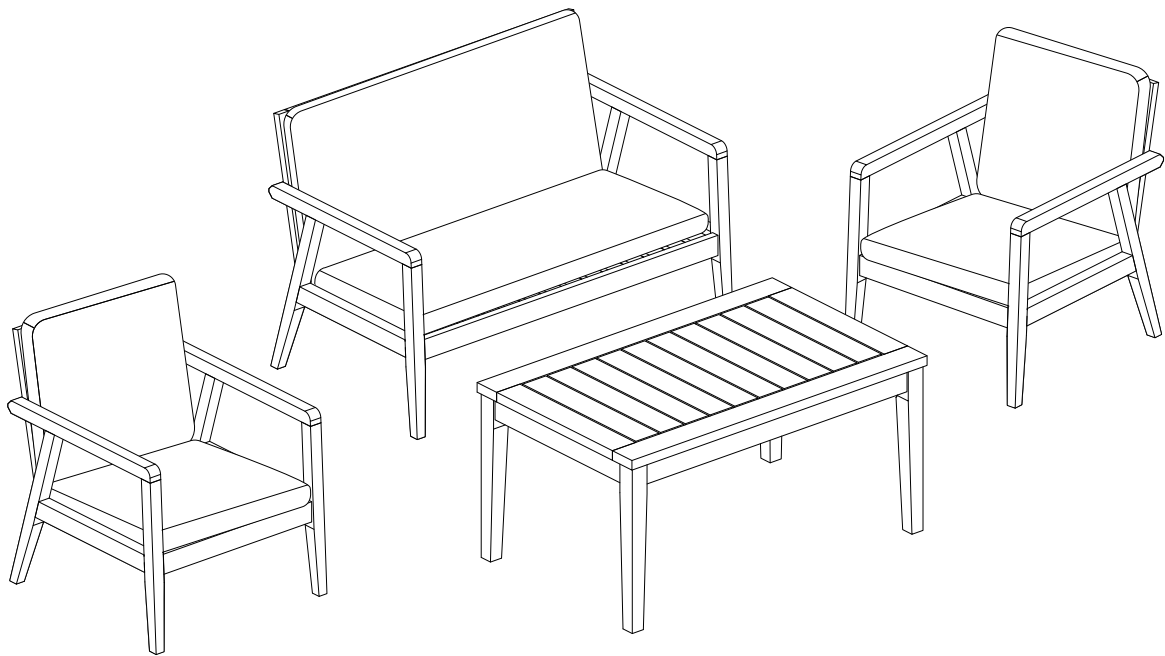


# PALLANO



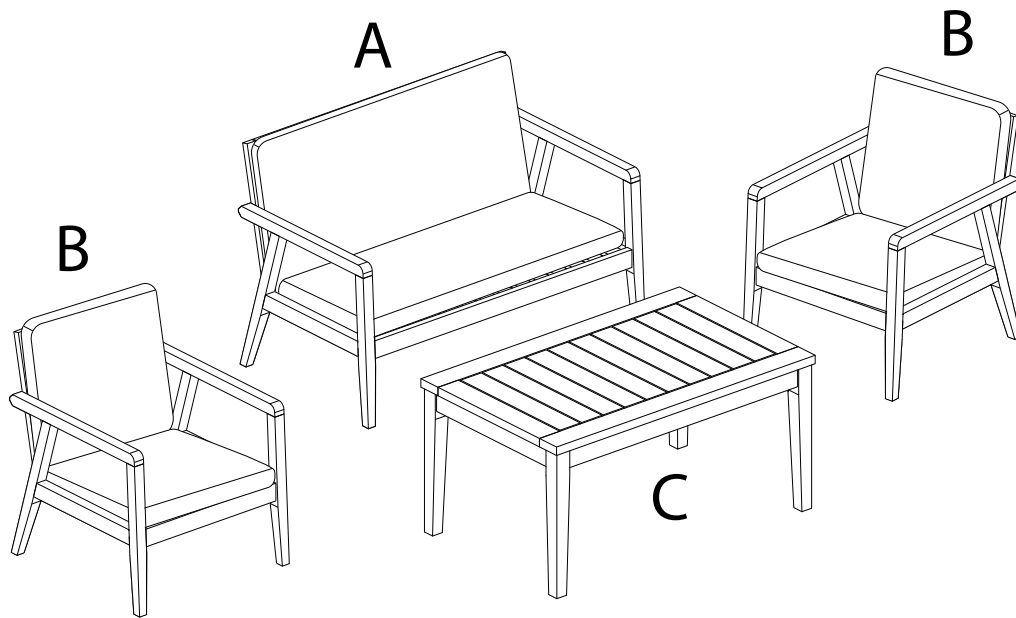
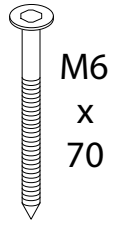
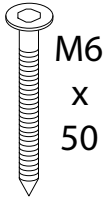
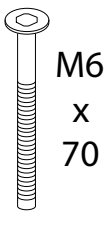
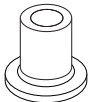

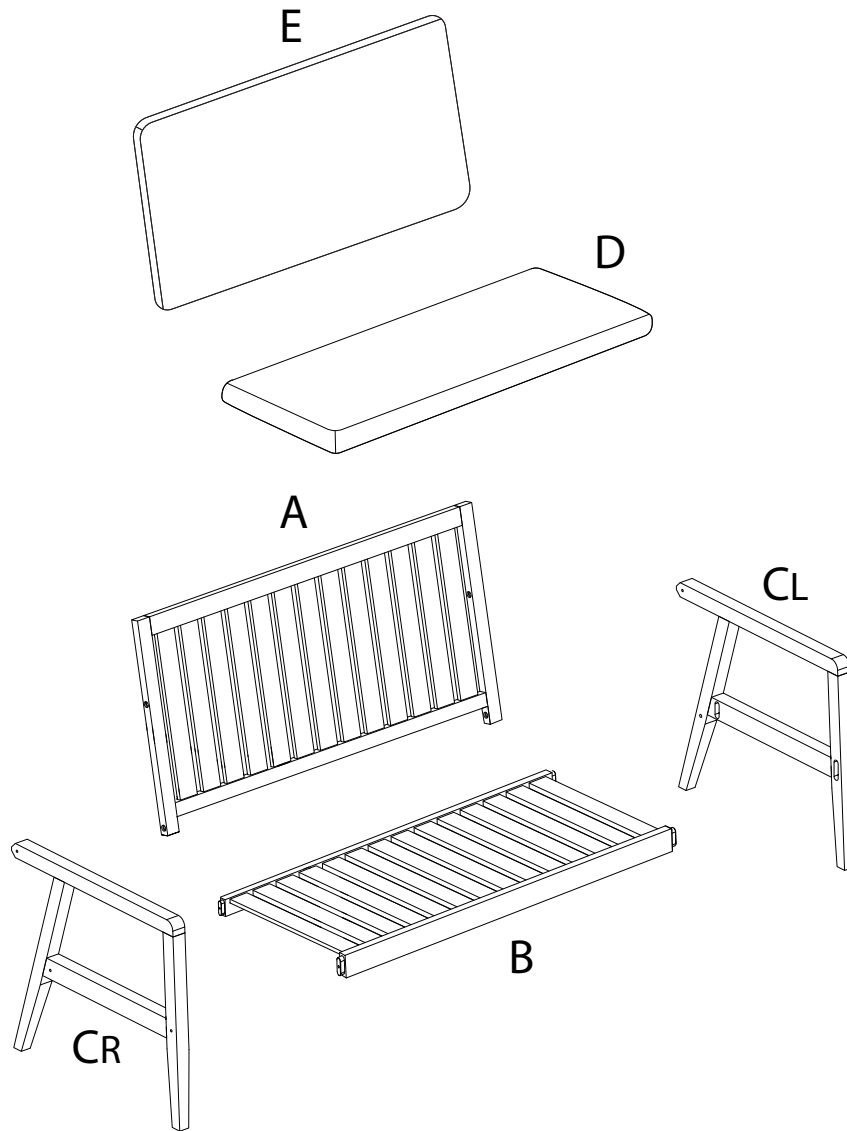


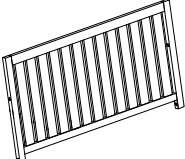
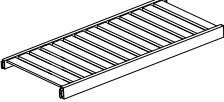
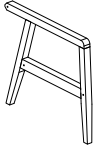
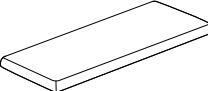
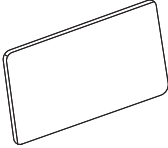
Diagram illustrating assembly instructions and safety warnings:

- Warning 1:** A warning triangle with an exclamation mark is shown next to a circular inset. The inset shows an L-shaped corner bracket and a power drill with a slash through it, indicating that a power drill should not be used for this step.
- Warning 2:** A second warning triangle with an exclamation mark is shown next to a circular inset. The inset shows a rectangular block being placed on a surface with a slash through it, indicating that the block should not be placed on a soft or uneven surface.
- Time:** A clock icon is shown next to the text "45'", indicating the estimated assembly time.
- Personnel:** An icon of a person is shown next to the number "2", indicating that two people are required for assembly.

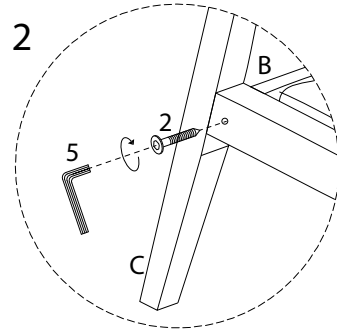
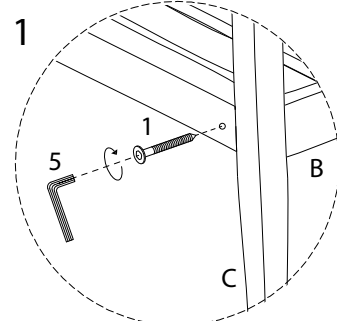
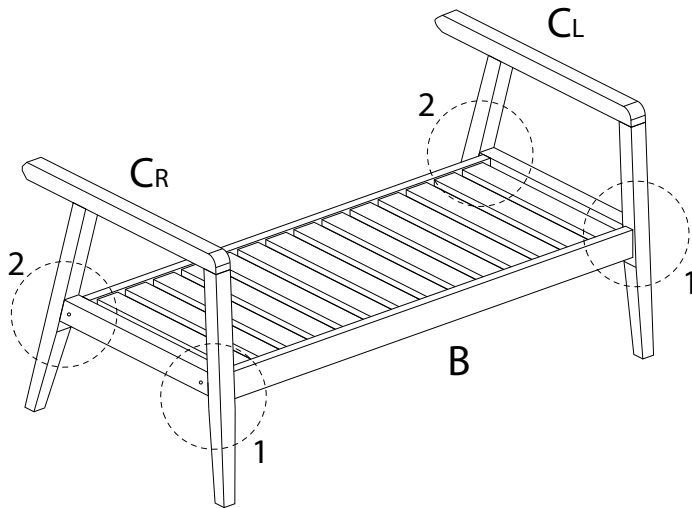
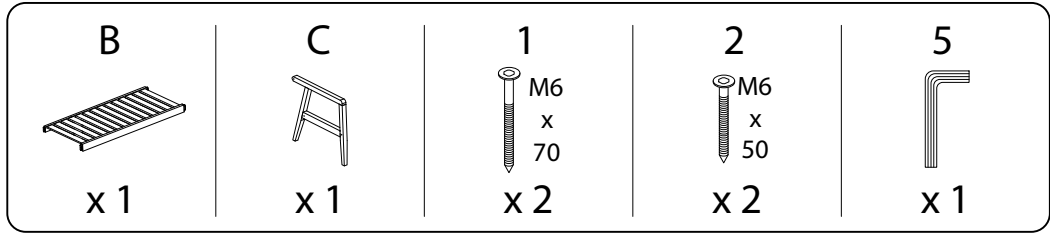
# A

<p>1</p>  <p>M6 x 70</p> <p>x 2</p>	<p>2</p>  <p>M6 x 50</p> <p>x 2</p>	<p>3</p>  <p>M6 x 70</p> <p>x 4</p>	<p>4</p>  <p>x 4</p>	<p>5</p>  <p>x 1</p>
--	--	--	---	---

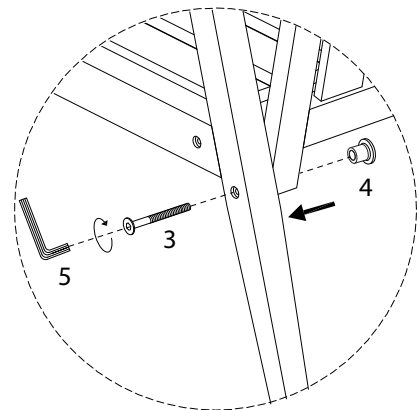
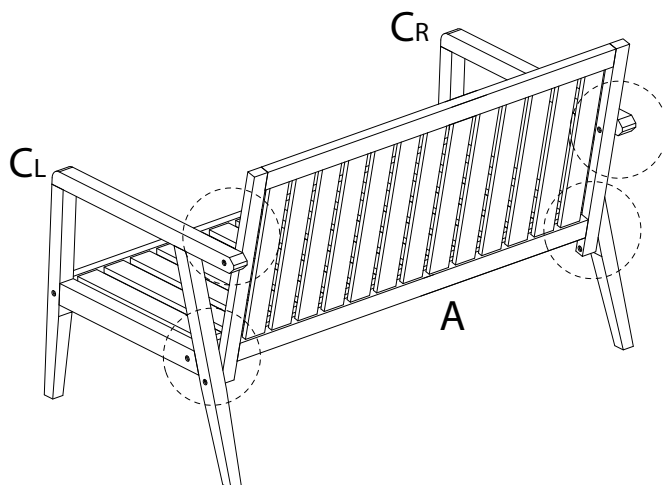
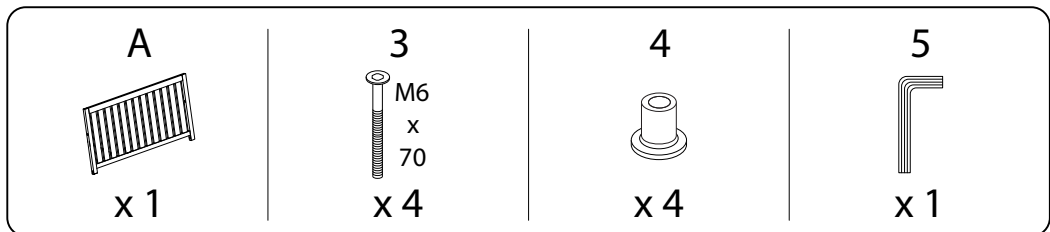


<p>A</p>  <p>x 1</p>	<p>B</p>  <p>x 1</p>	<p>C</p>  <p>x 2</p>	<p>D</p>  <p>x 1</p>	<p>E</p>  <p>x 1</p>
---	---	---	--	---

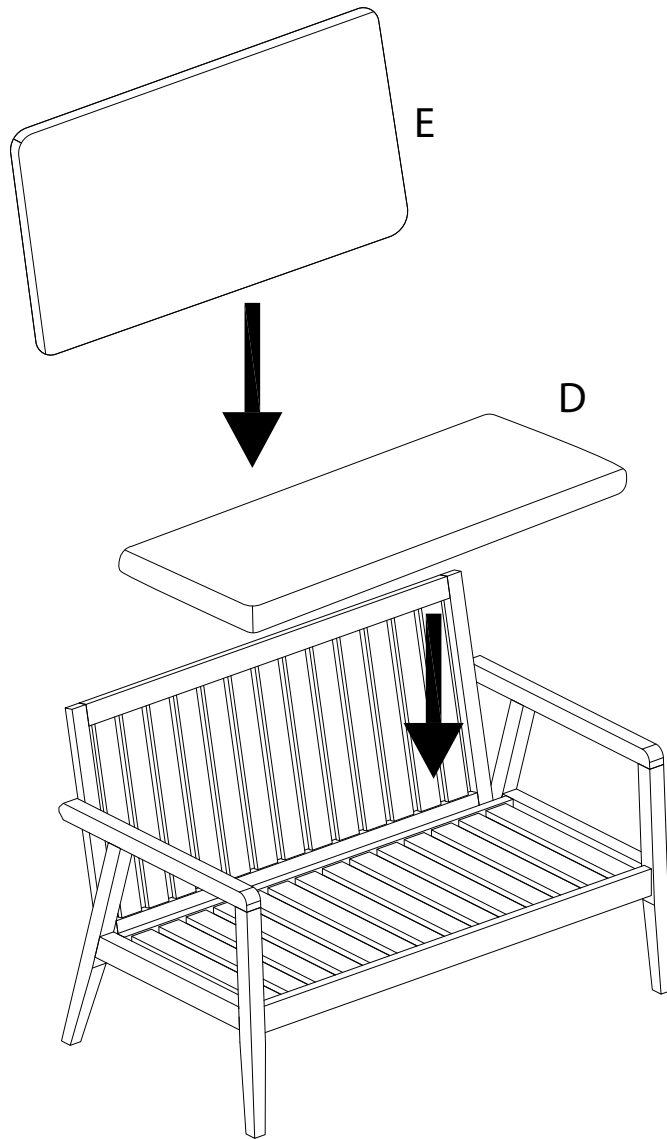
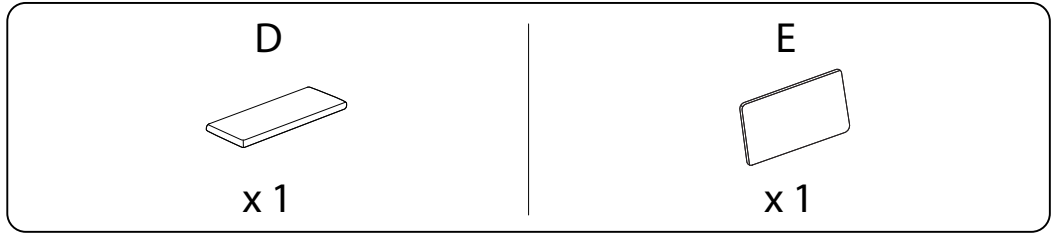
1



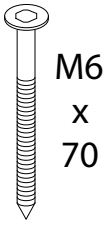
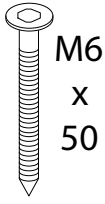
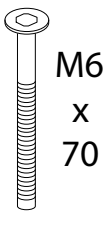
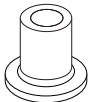
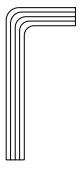
2

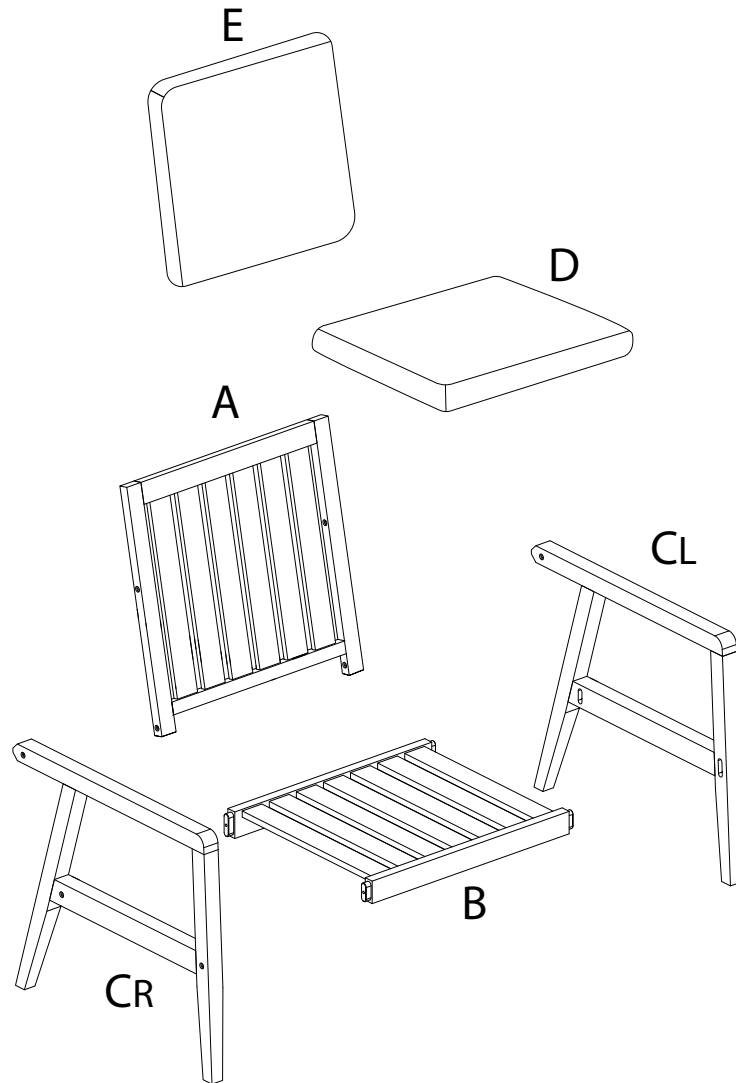


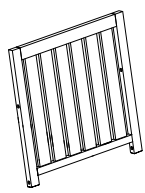
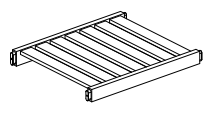
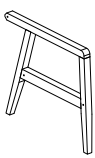
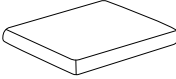
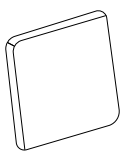
3



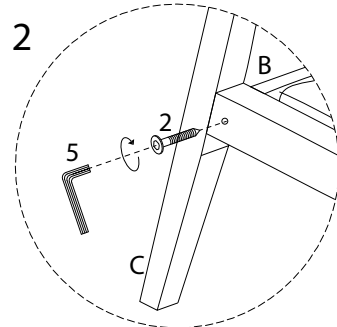
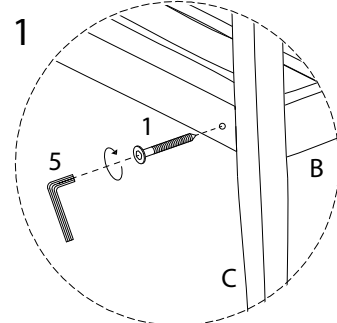
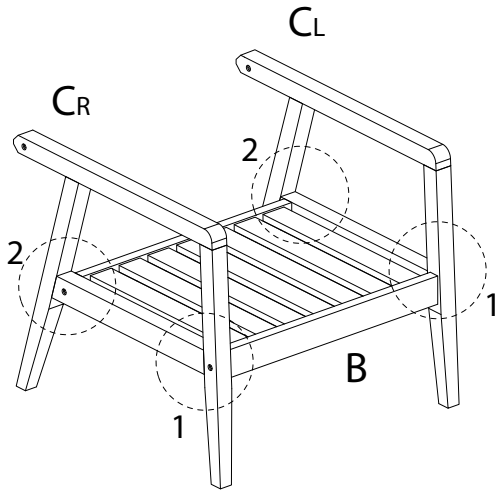
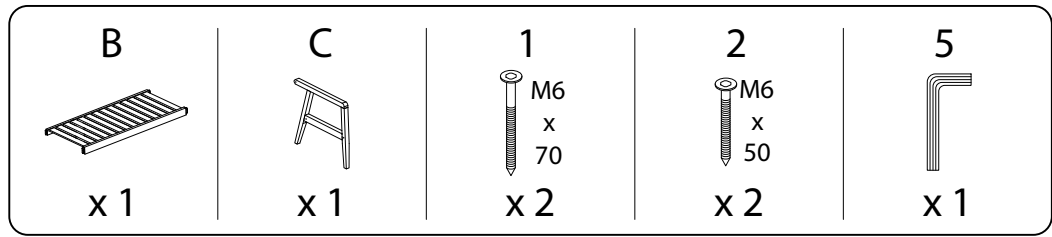
# B x 2

<p>1</p>  <p>M6 x 70</p> <p>x 2</p>	<p>2</p>  <p>M6 x 50</p> <p>x 2</p>	<p>3</p>  <p>M6 x 70</p> <p>x 4</p>	<p>4</p>  <p>x 4</p>	<p>5</p>  <p>x 1</p>
--	--	--	---	---

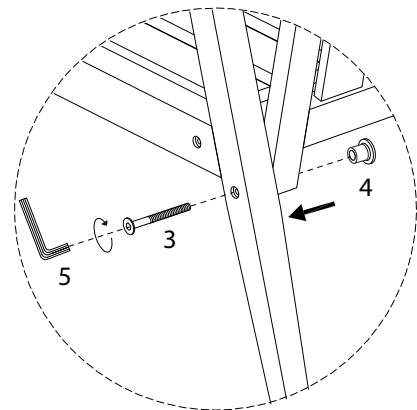
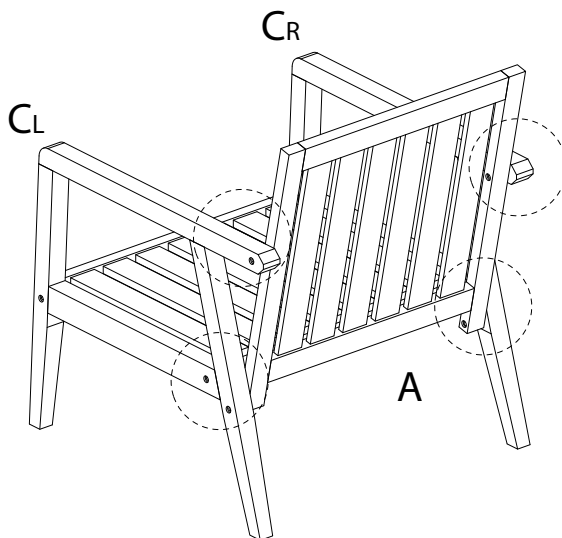
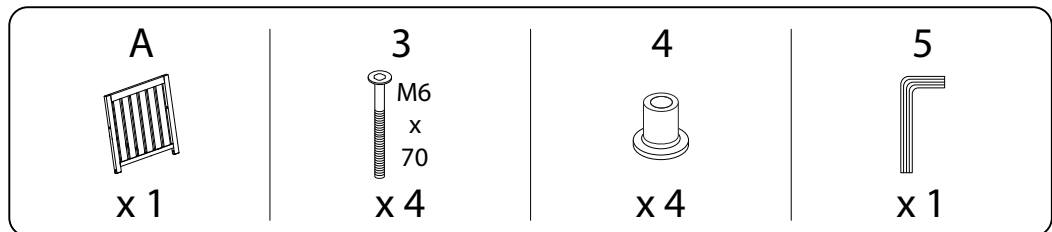


<p>A</p>  <p>x 1</p>	<p>B</p>  <p>x 1</p>	<p>C</p>  <p>x 2</p>	<p>D</p>  <p>x 1</p>	<p>E</p>  <p>x 1</p>
---	---	---	--	---

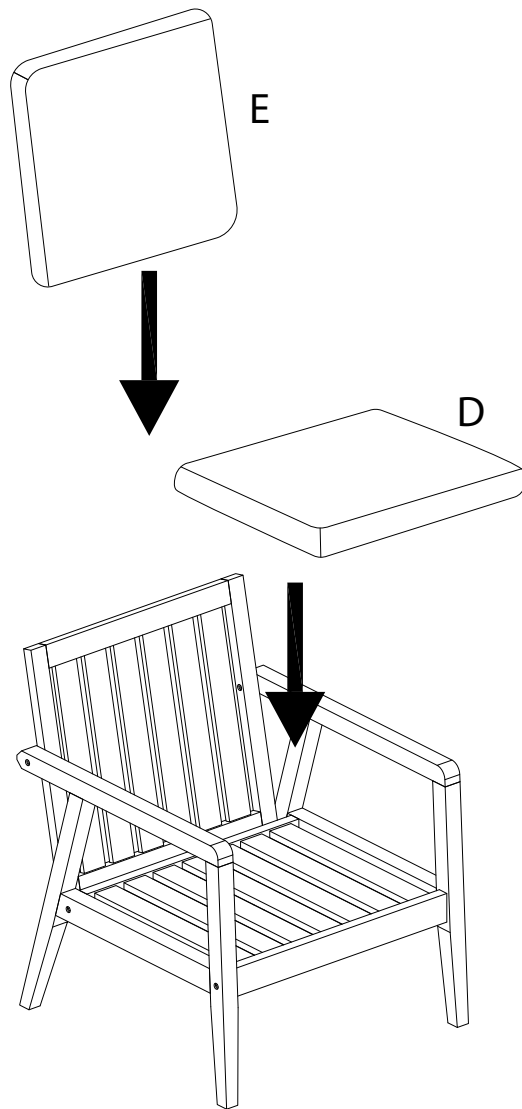
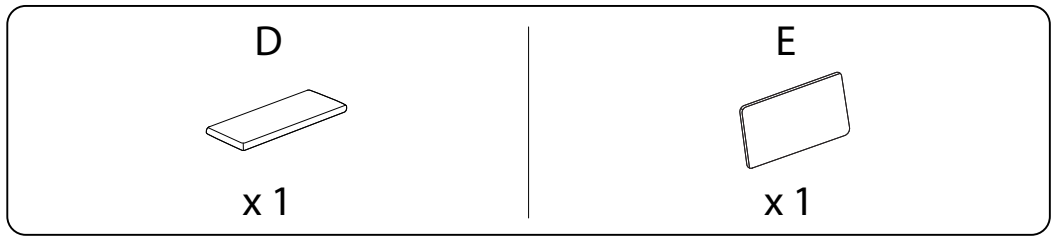
1



2

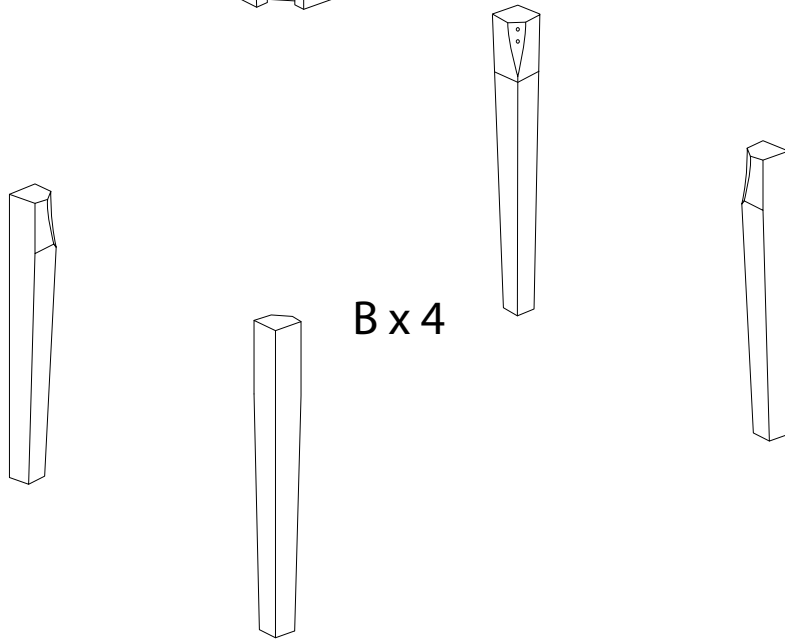
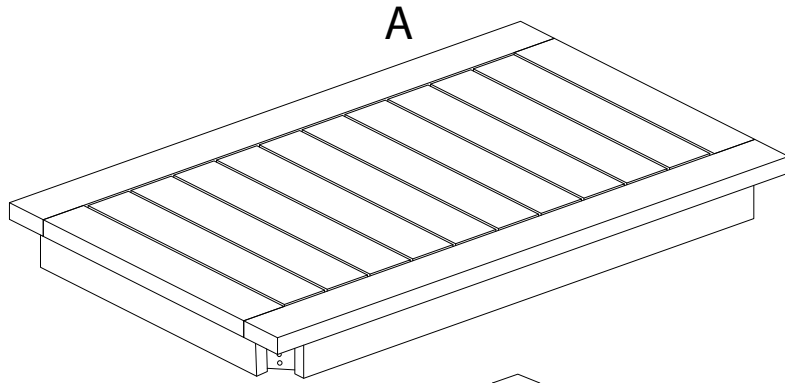


3





C



A	B	1	2	3
		 M8 x 60		
x 1	x 4	x 8	x 8	x 1

1

