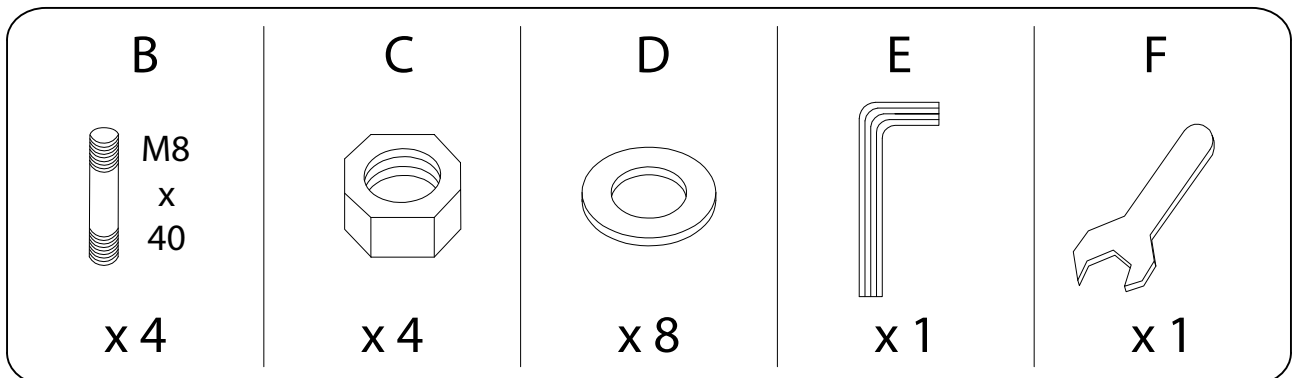
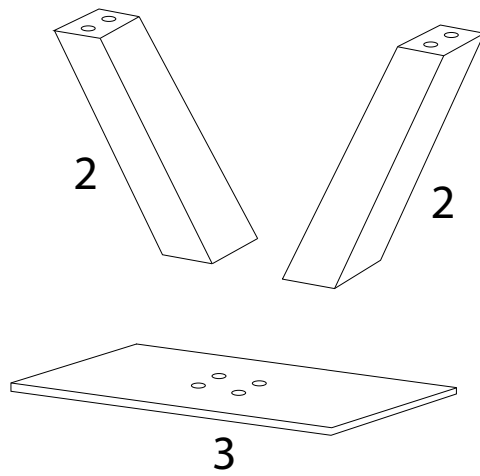
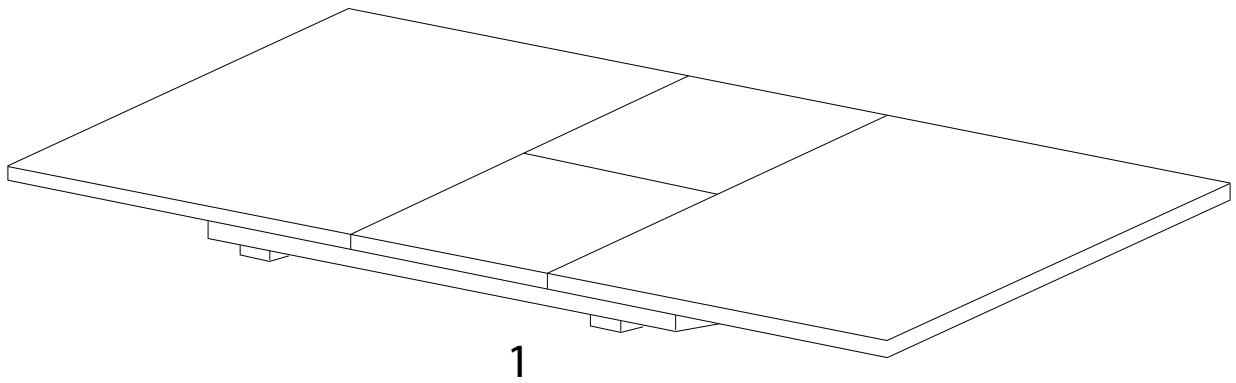
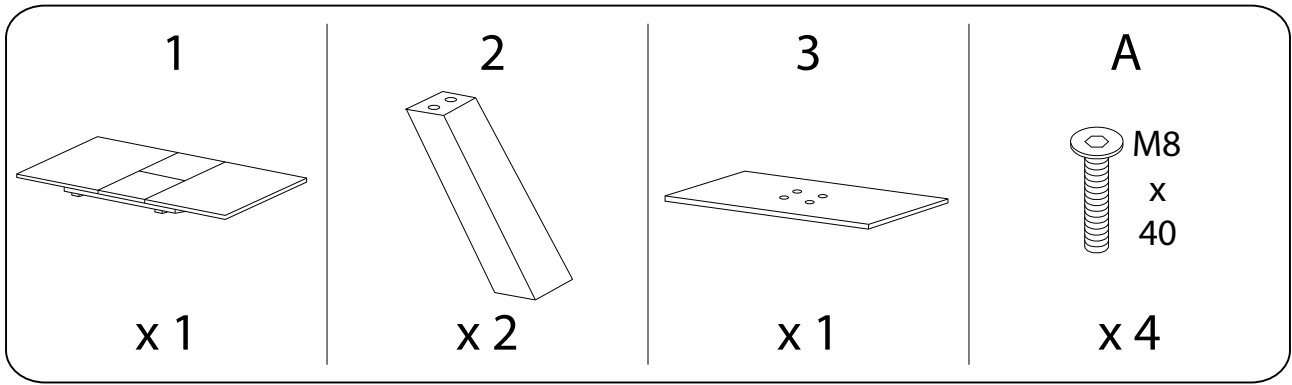


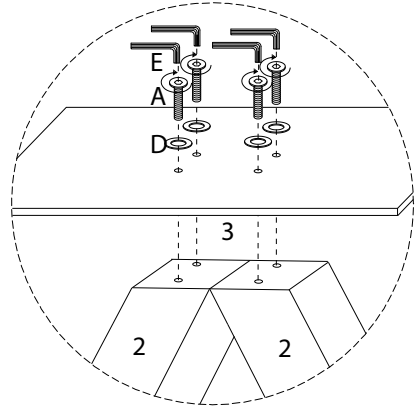
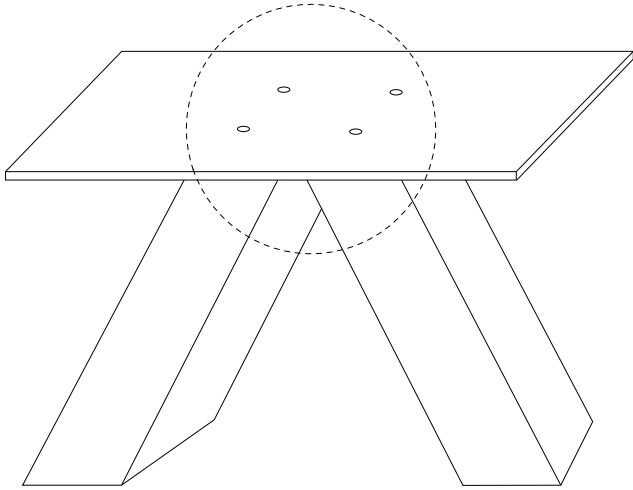
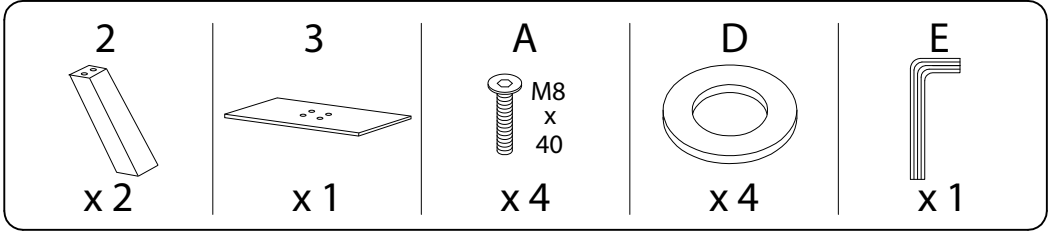
Assembly instructions for step 1/4:

- Tools:** A circle containing an Allen key and a wrench. A power drill is shown with a diagonal line through it, indicating it should not be used.
- Warning:** A triangle with an exclamation mark.
- Time:** A clock icon with the text "20'" below it.
- Personnel:** A stick figure icon with the number "1" below it.

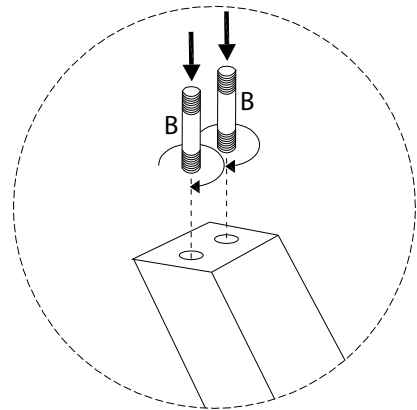
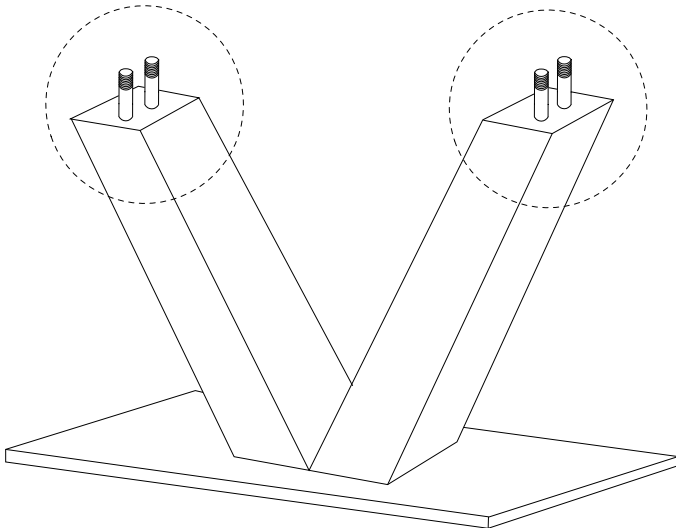
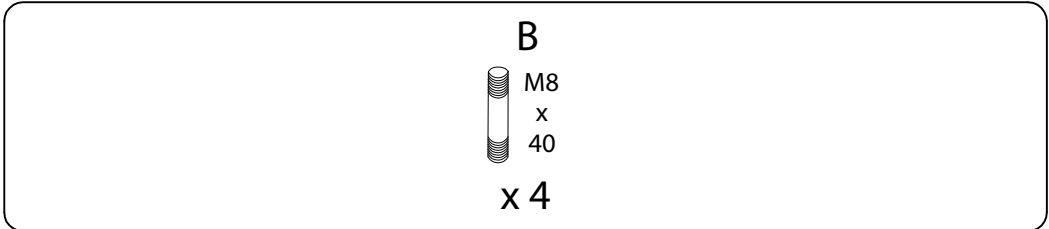
1/4



1



2



3

