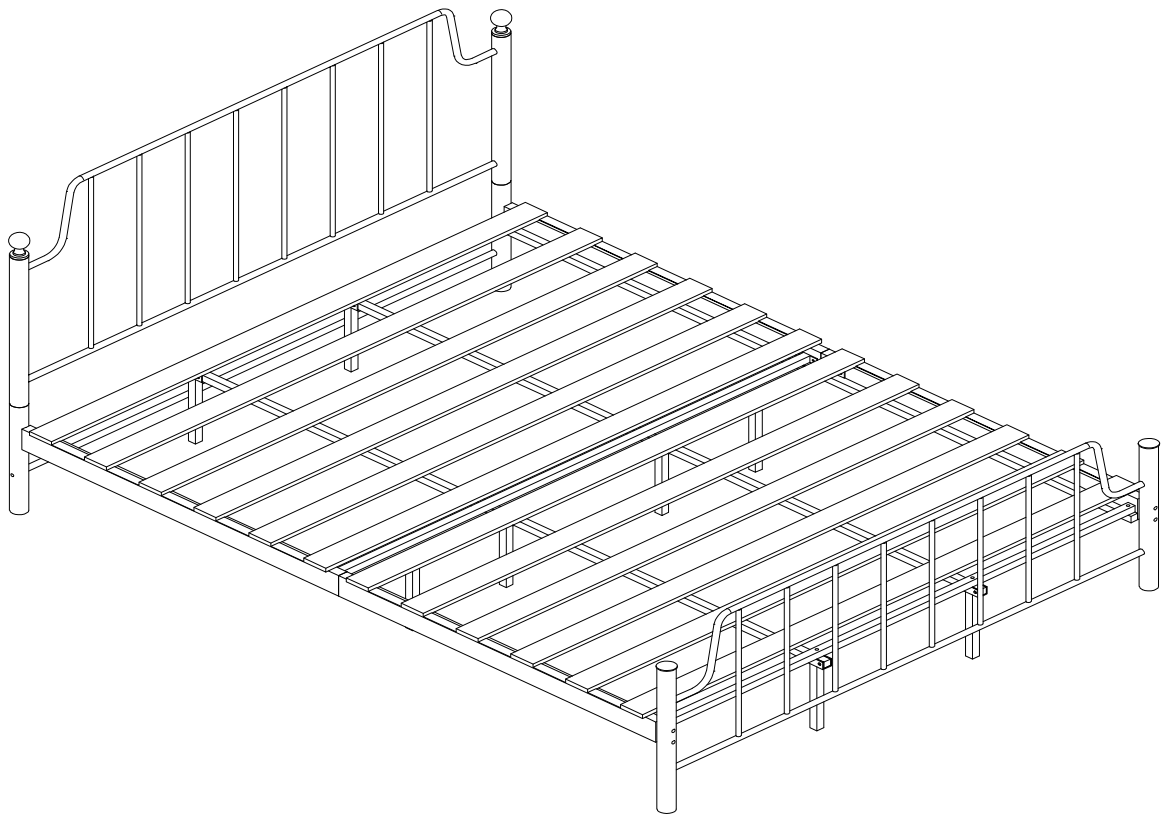
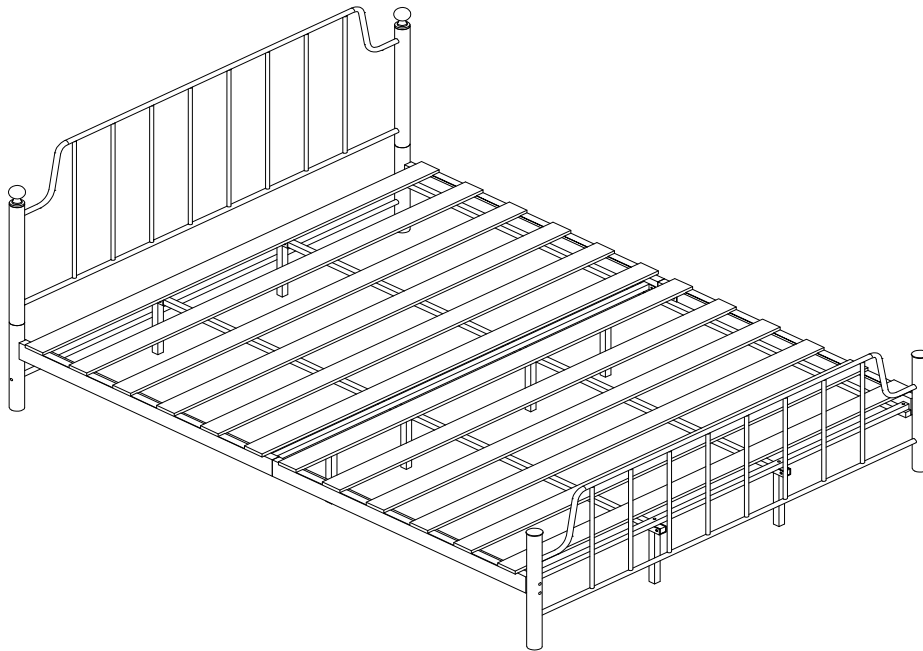
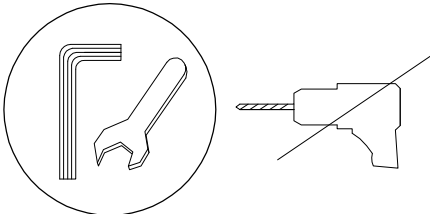

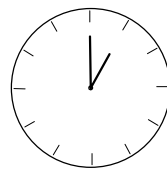
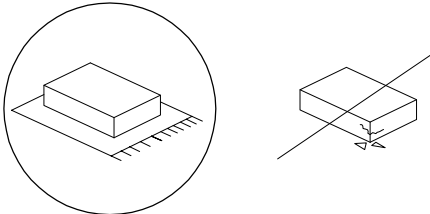

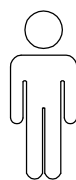
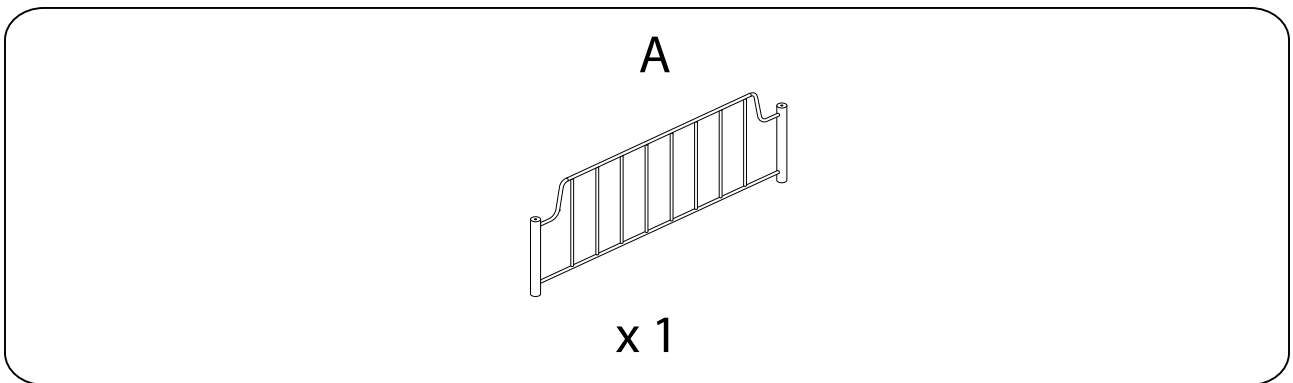
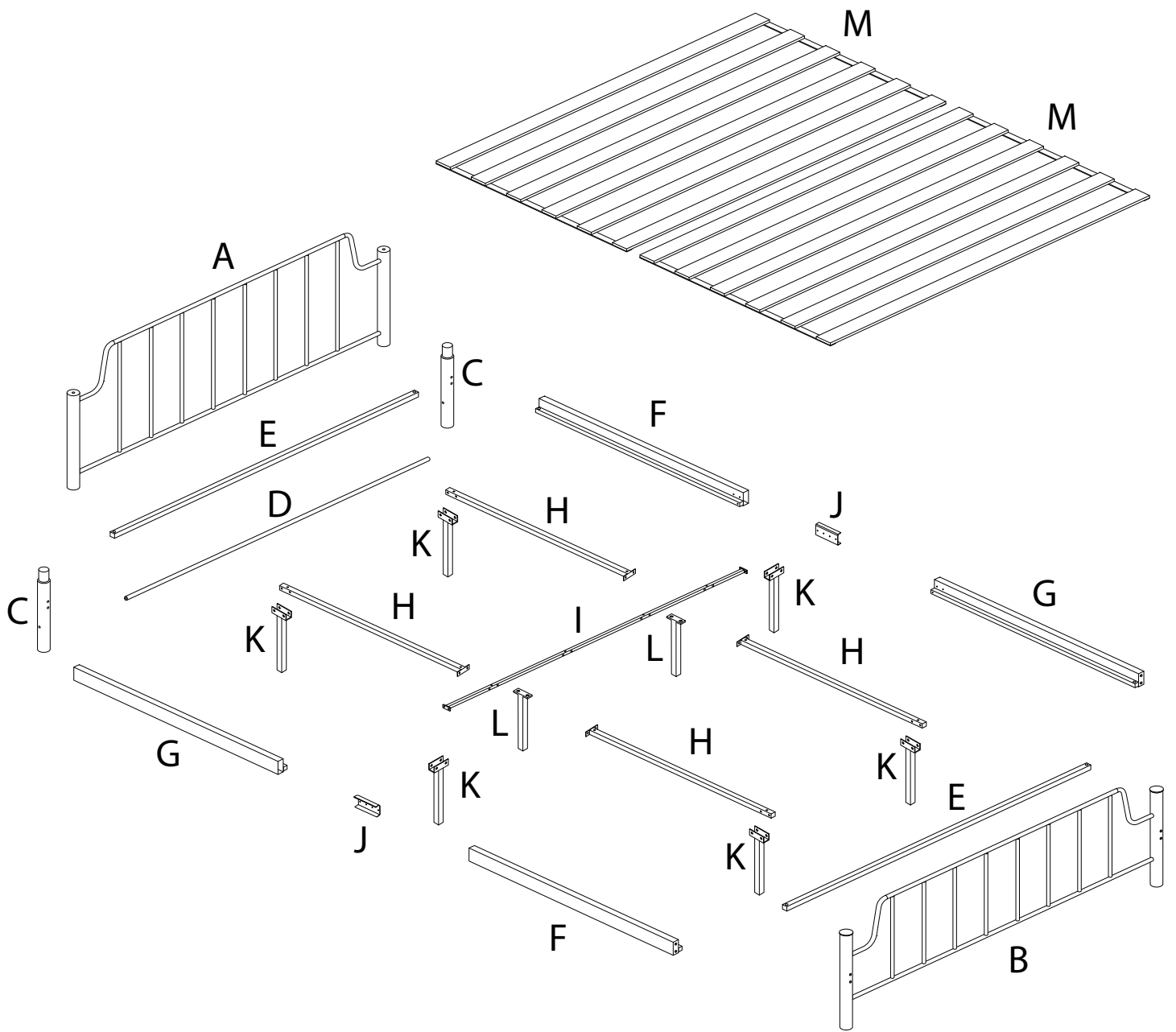


# MAURESSAC

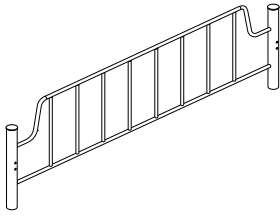




		
		<b>60'</b>
		
		<b>2</b>

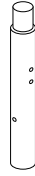


B



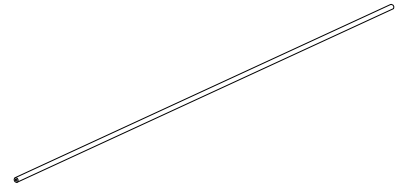
x 1

C



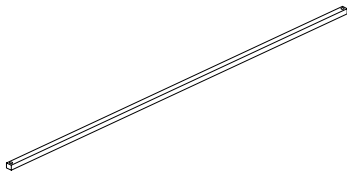
x 2

D



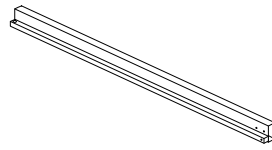
x 1

E



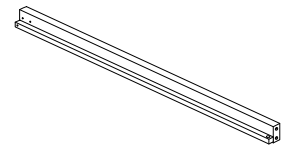
x 2

F



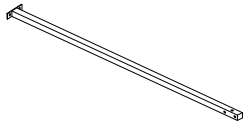
x 2

G



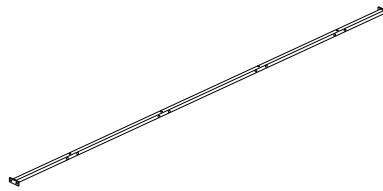
x 2

H



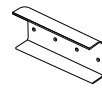
x 4

I



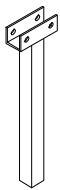
x 1

J



x 2

K



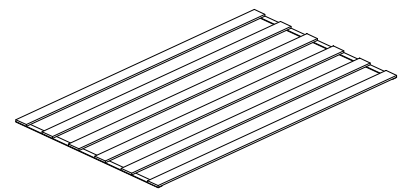
x 6

L



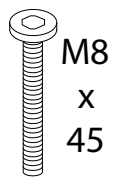
x 2

M



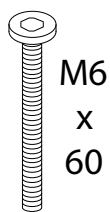
x 2

1



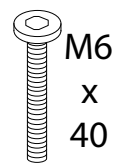
x 8

2



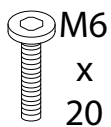
x 8

3



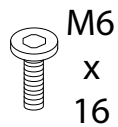
x 12

4



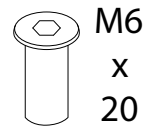
x 12

5



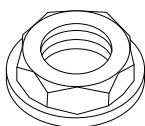
x 14

6



x 12

7



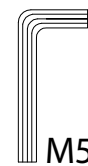
x 12

8



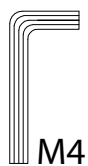
x 8

9



x 1

10



x 1

11



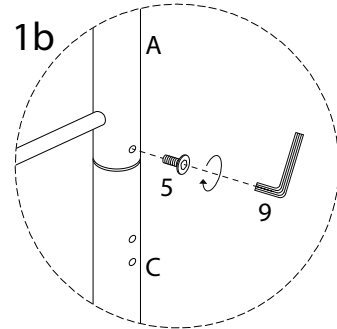
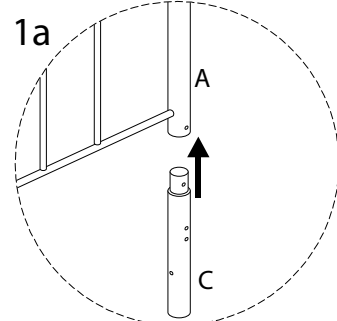
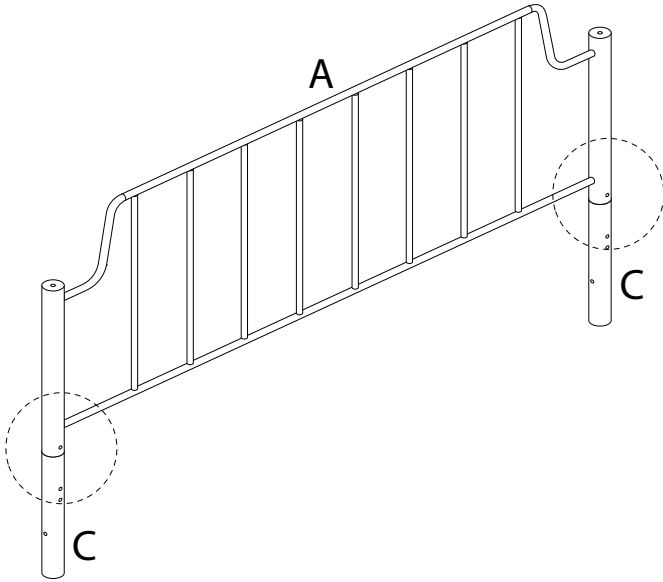
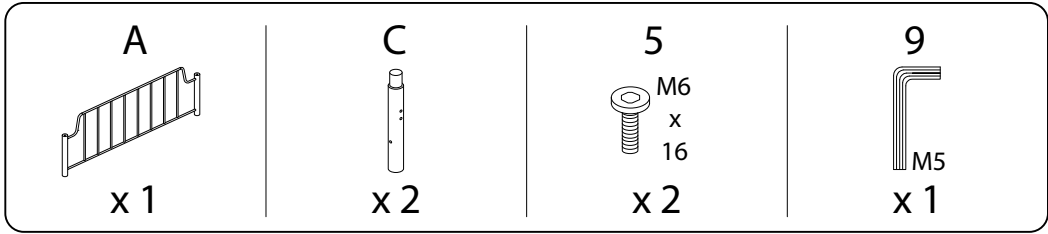
x 1

12

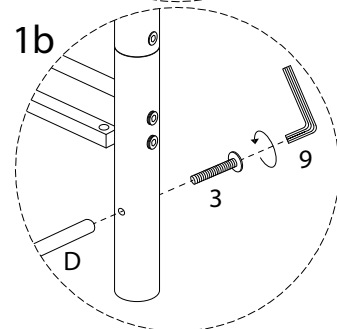
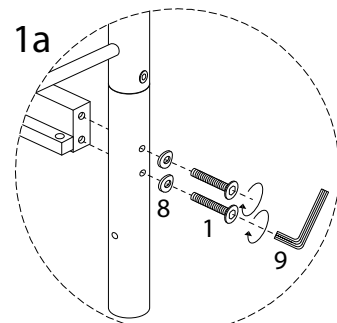
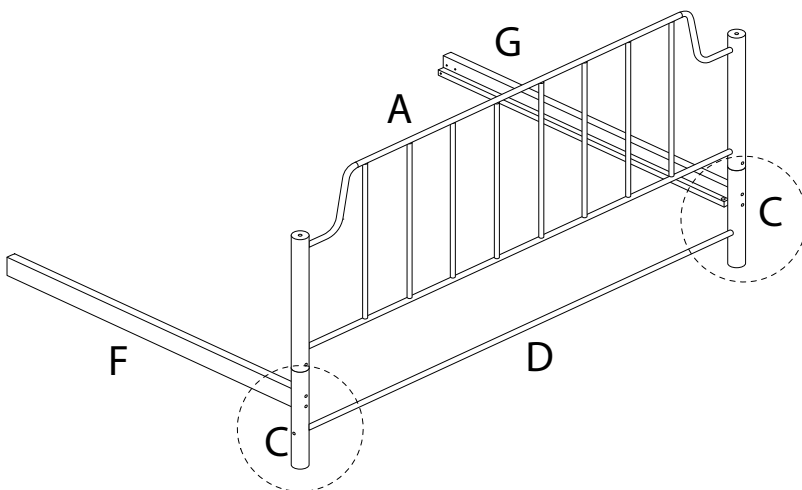
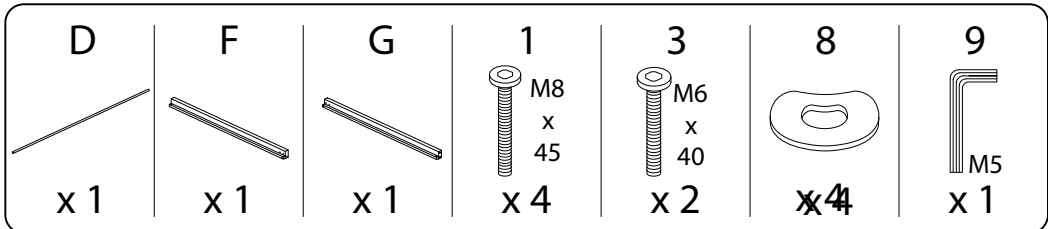


x 2

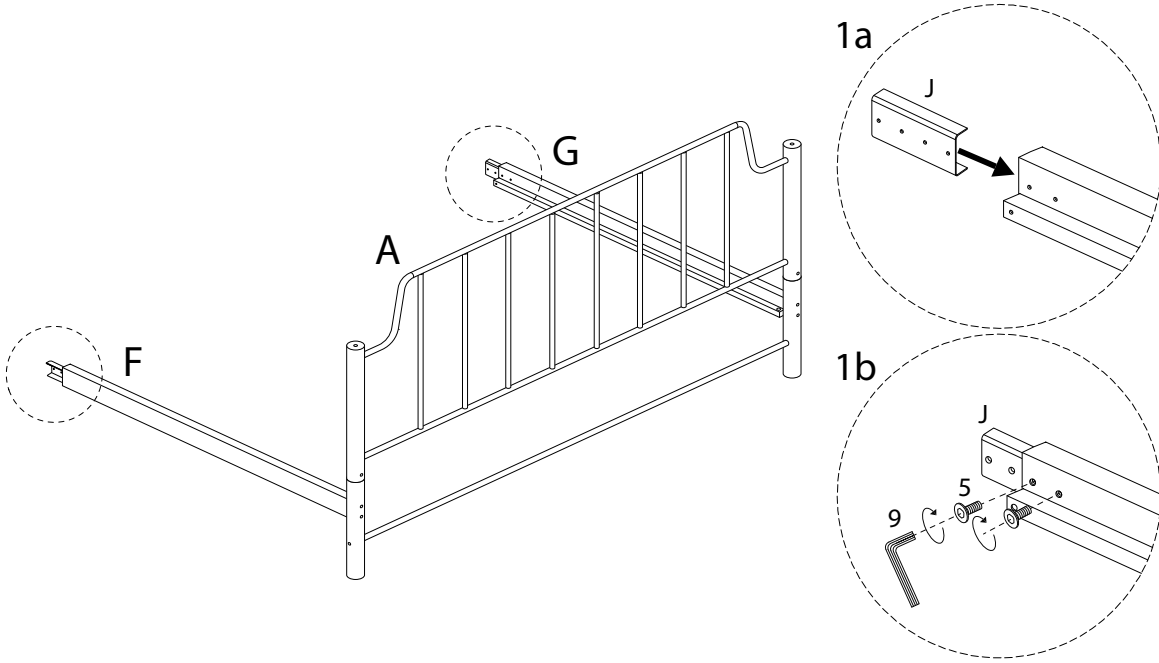
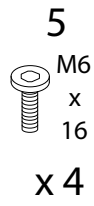
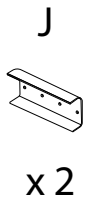
1



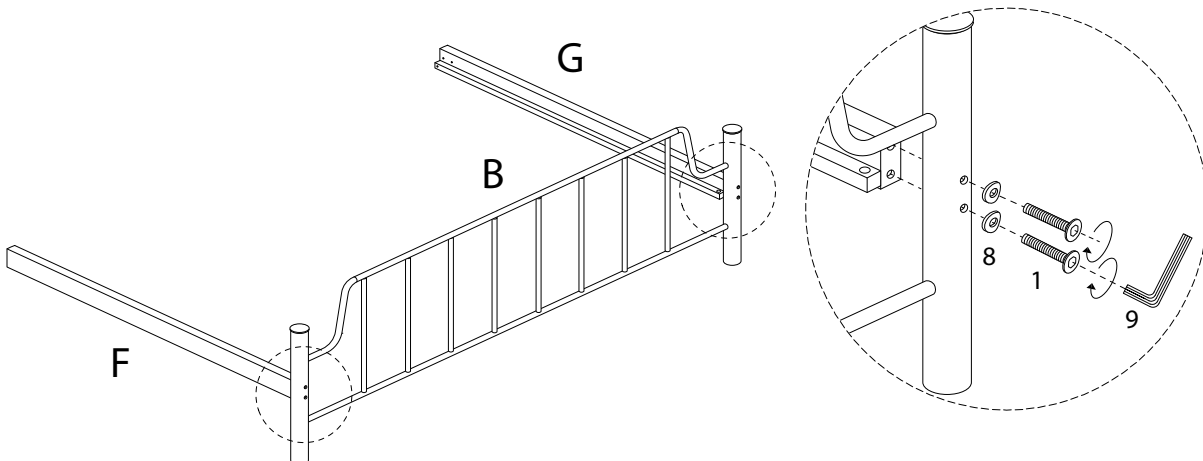
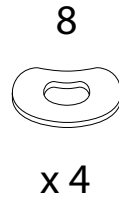
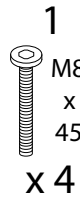
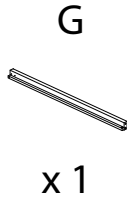
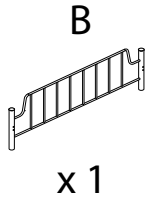
2



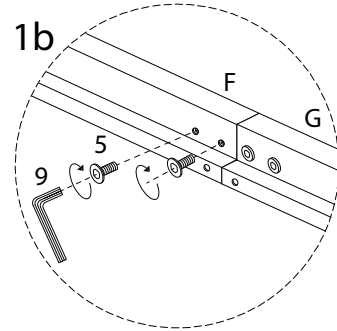
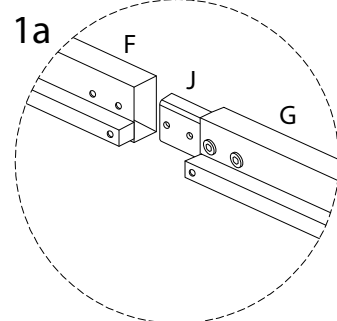
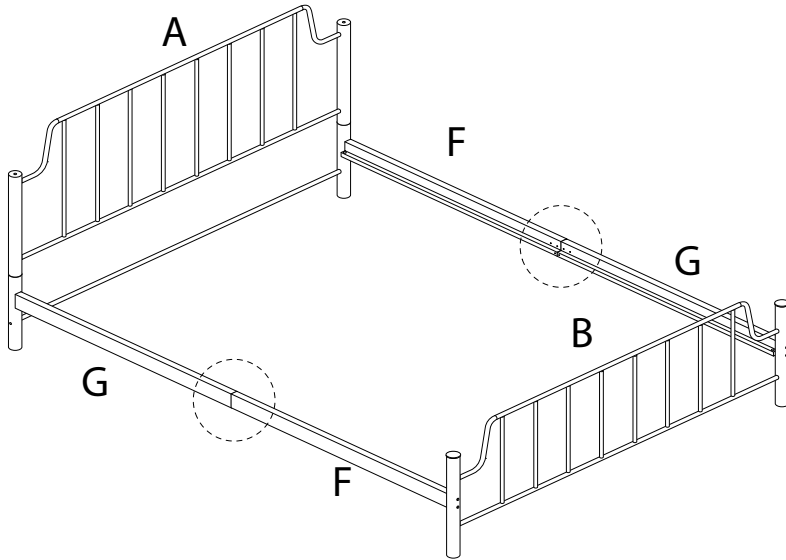
3



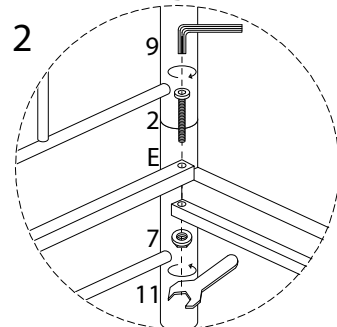
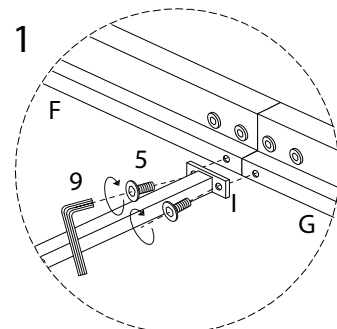
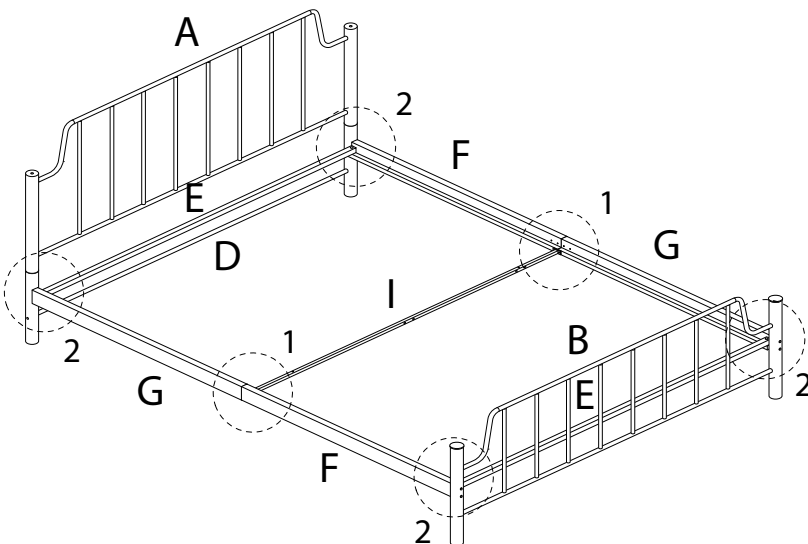
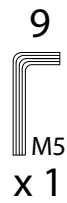
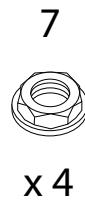
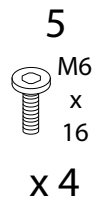
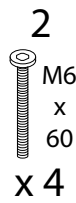
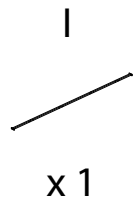
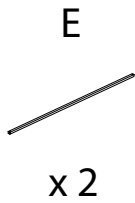
4



5


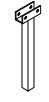






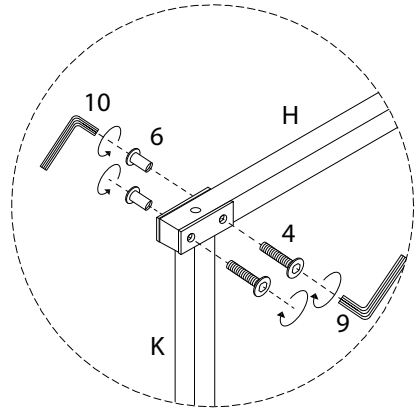
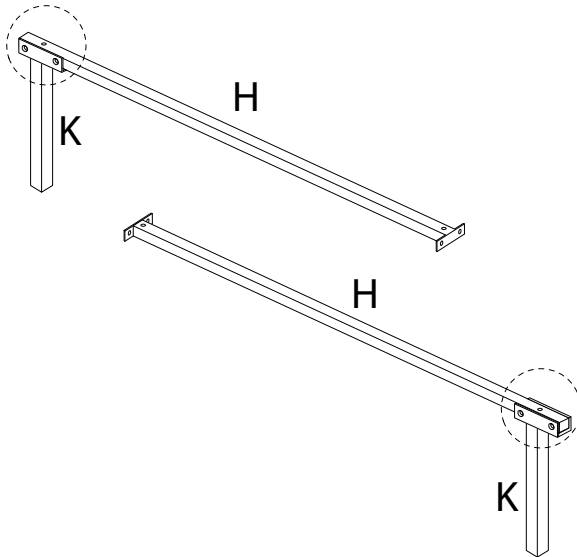
6




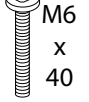

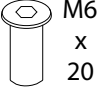




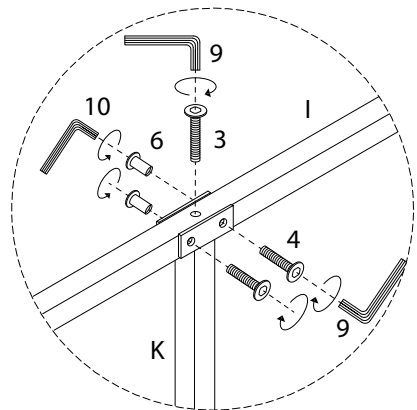
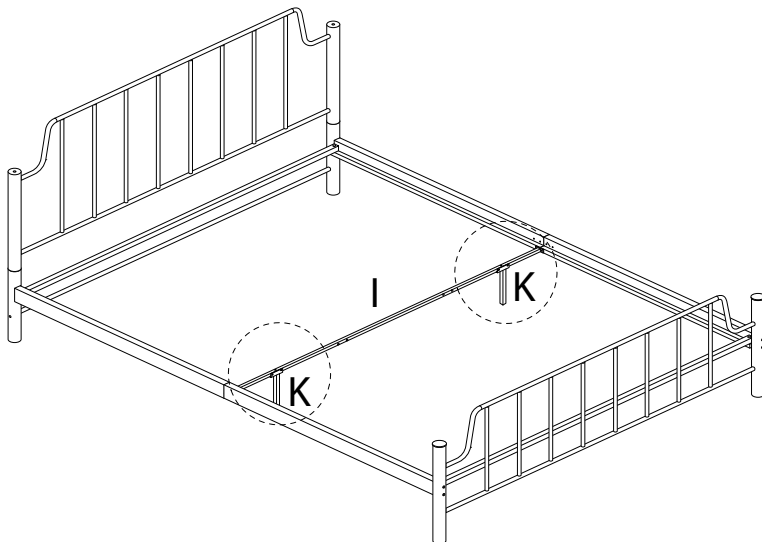
7 x 2

H  x 2	K  x 2	4  M6 x 20 x 4	6  M6 x 20 x 4	9  M5 x 1	10  M4 x 1
---	---	--	---	---	--


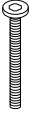
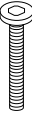

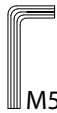



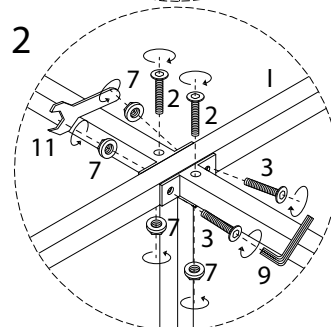
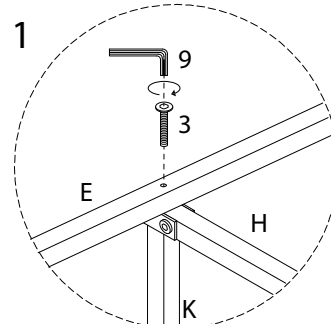
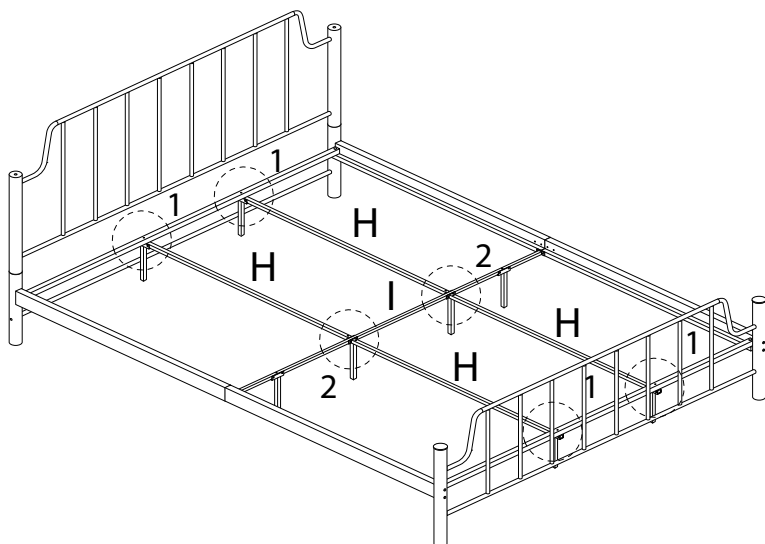
8

K  x 2	3  M6 x 40 x 2	4  M6 x 20 x 4	6  M6 x 20 x 4	9  M5 x 1	10  M4 x 1
---	--	--	---	---	--

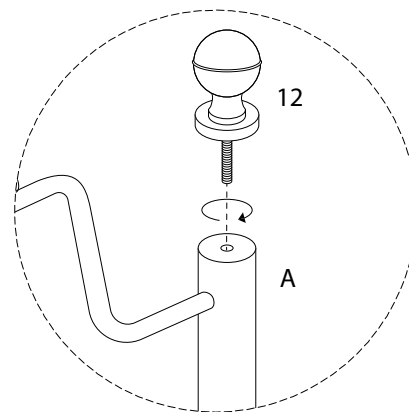
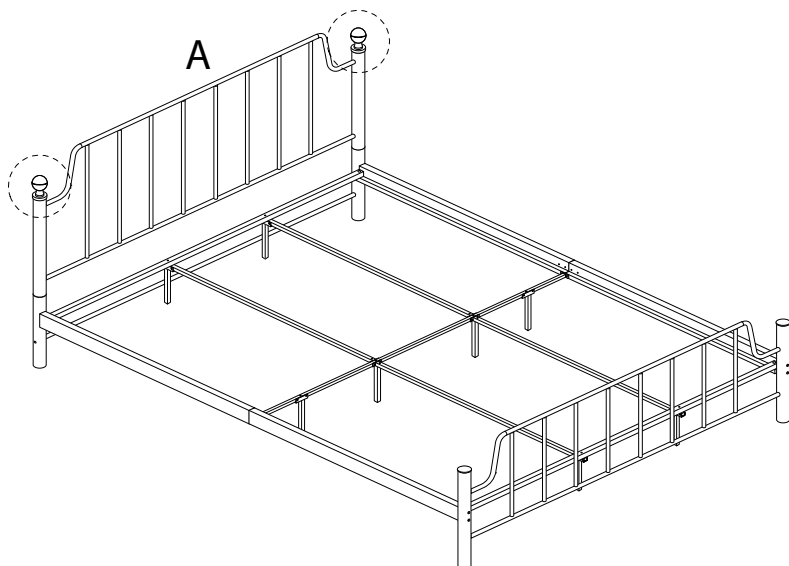


9

 x 2	 x 4	 x 8	 x 8	 x 1	 x 1
--	--	--	---	--	--



10



11

