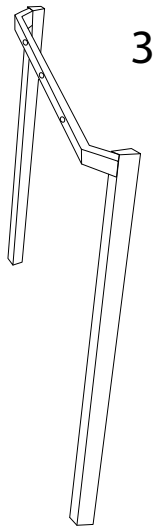
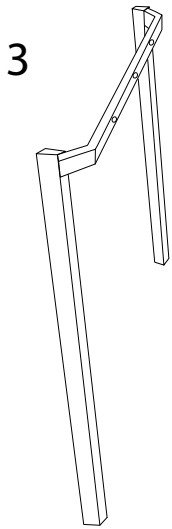
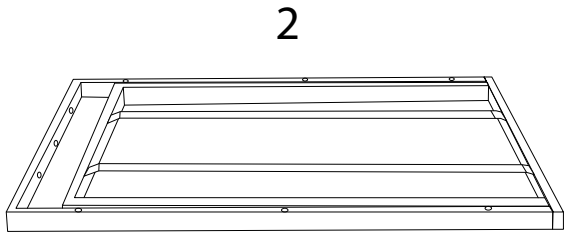
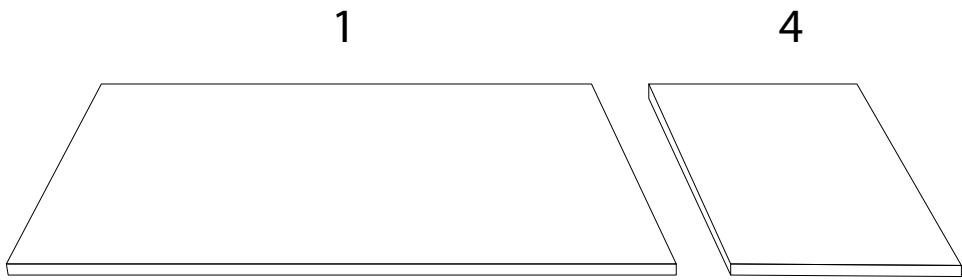
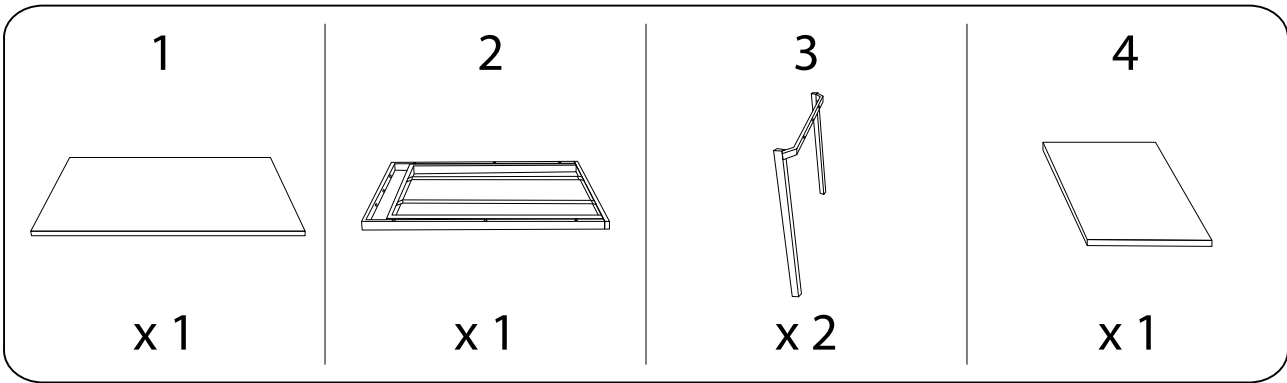
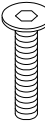

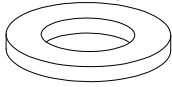
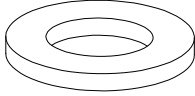
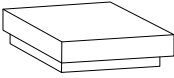
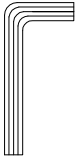
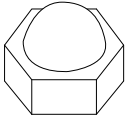
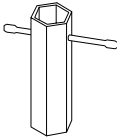


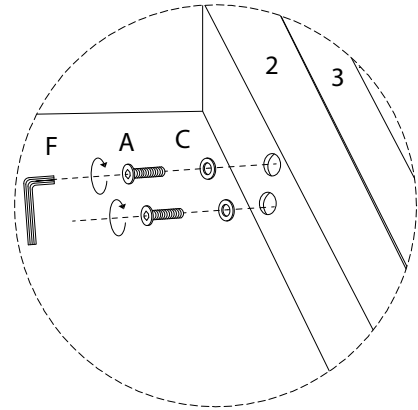
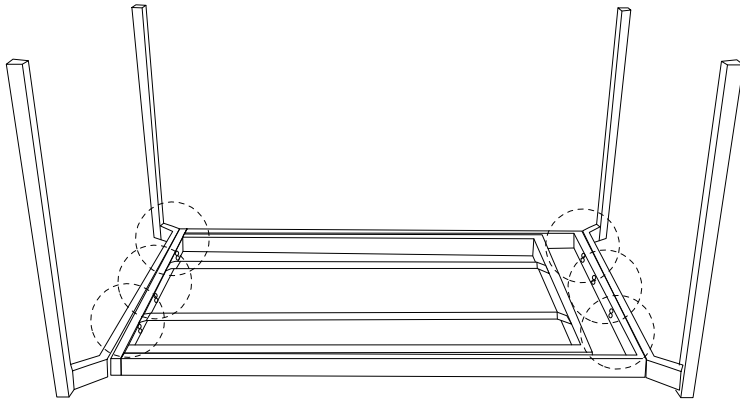
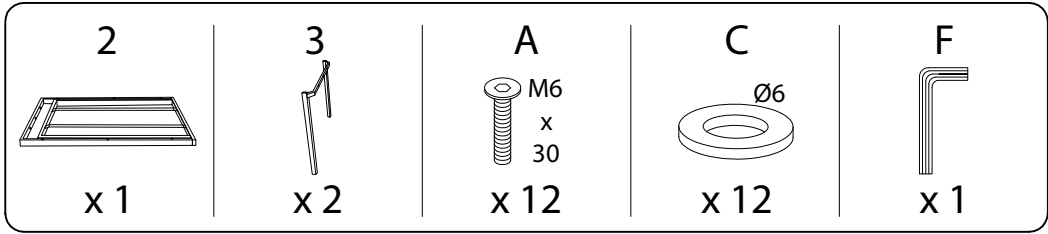
Diagram illustrating assembly instructions and safety warnings:

- Warning 1:** A warning triangle with an exclamation mark is positioned above a box containing an Allen key and a power drill with a diagonal line through it, indicating that a power drill should not be used.
- Warning 2:** A second warning triangle with an exclamation mark is positioned above a box containing a rectangular block being placed on a surface and a diagram showing a block being secured with a screw.
- Time:** A clock icon is shown next to the text "40'", indicating an estimated assembly time of 40 minutes.
- Personnel:** An icon of a person is shown next to the number "2", indicating that two people are required for assembly.

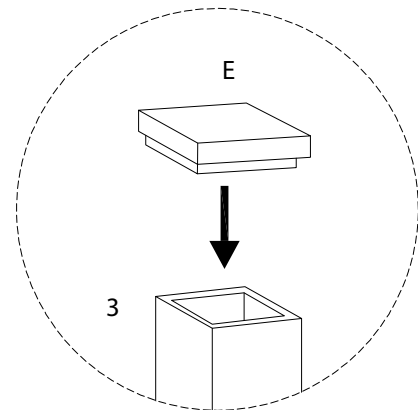
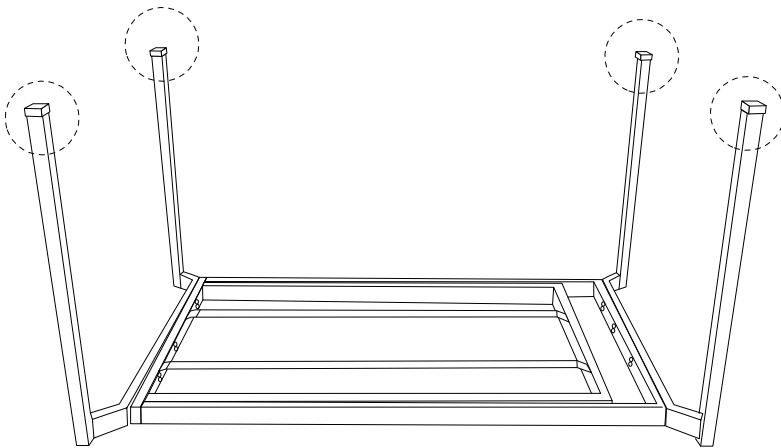
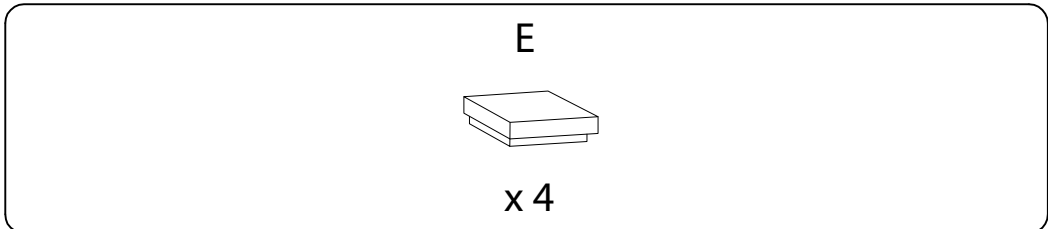


<p style="text-align: center;">A</p>  <p style="text-align: center;">M6 x 30</p> <p style="text-align: center;">x 12</p>	<p style="text-align: center;">B</p>  <p style="text-align: center;">M8 x 80</p> <p style="text-align: center;">x 6</p>	<p style="text-align: center;">C</p>  <p style="text-align: center;">Ø6</p> <p style="text-align: center;">x 12</p>	<p style="text-align: center;">D</p>  <p style="text-align: center;">Ø8</p> <p style="text-align: center;">x 6</p>
<p style="text-align: center;">E</p>  <p style="text-align: center;">x 4</p>	<p style="text-align: center;">F</p>  <p style="text-align: center;">x 1</p>	<p style="text-align: center;">G</p>  <p style="text-align: center;">x 6</p>	<p style="text-align: center;">H</p>  <p style="text-align: center;">x 1</p>

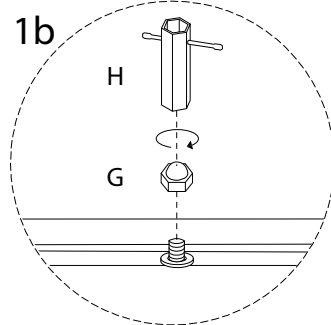
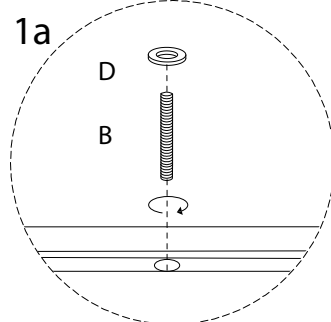
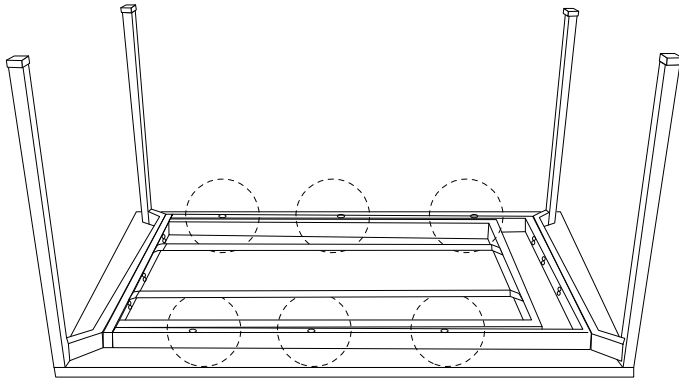
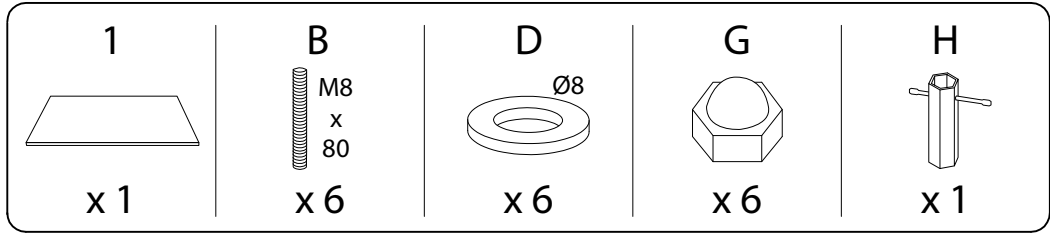
1



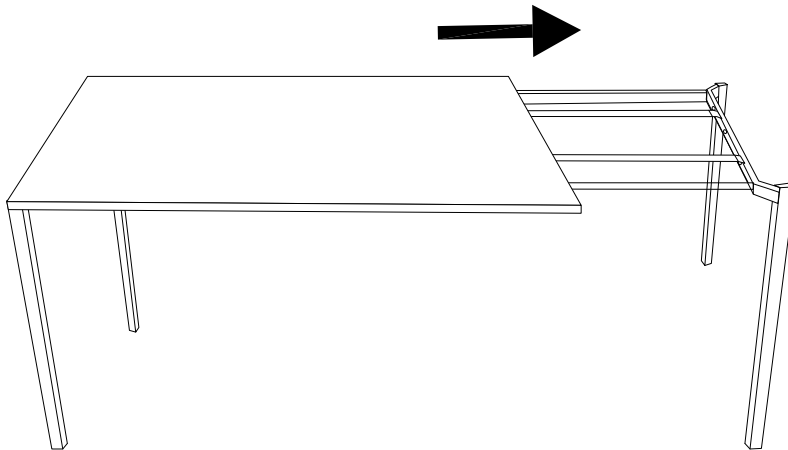
2



3



!



!

