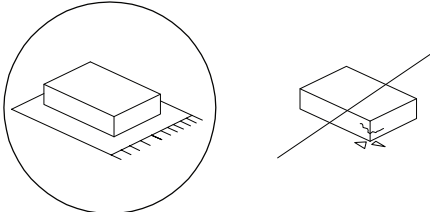
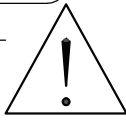
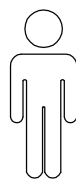
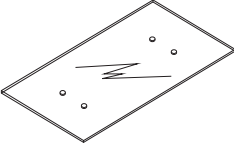
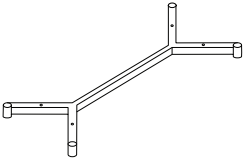



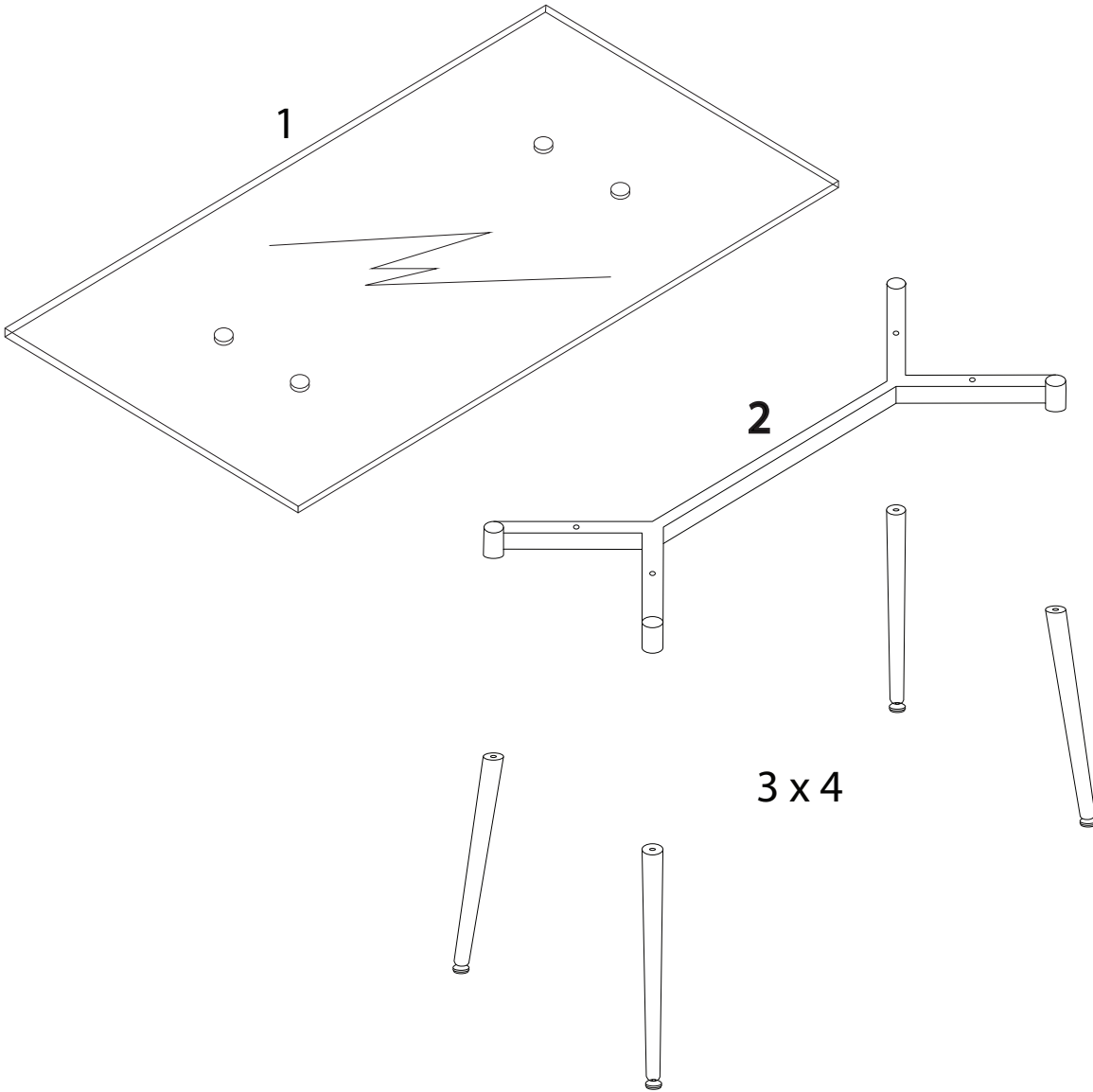


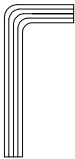
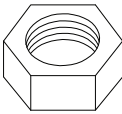
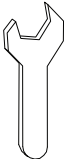
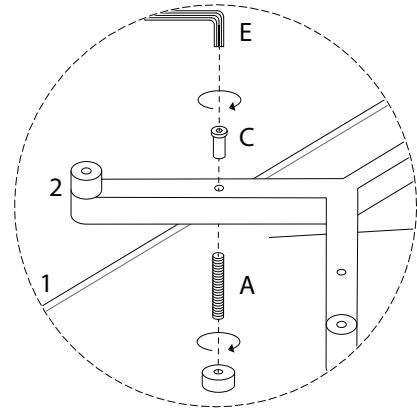
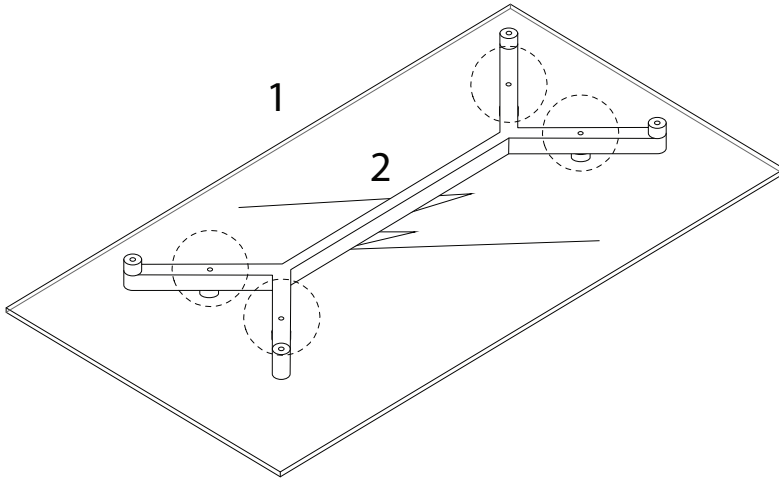
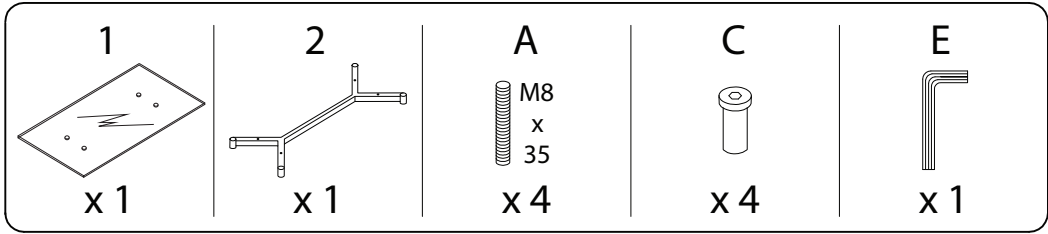

		40'
		
		2

1	2	3	A	B
			 M8 x 35	 M10 x 50
x 1	x 1	x 4	x 4	x 4



C	D	E	F	G
				
x 4	x 4	x 1	x 4	x 1

1



2

