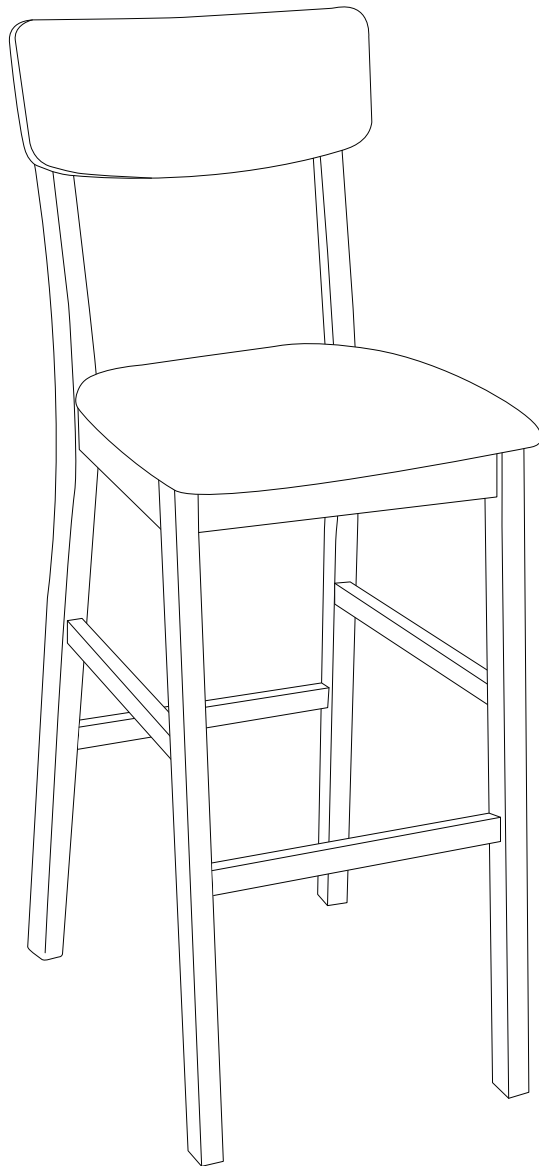


# AMBLER



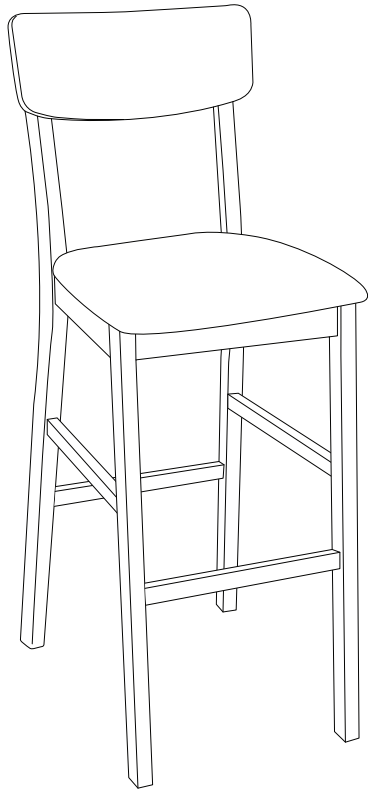

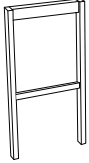
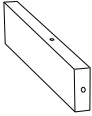
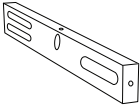

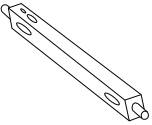
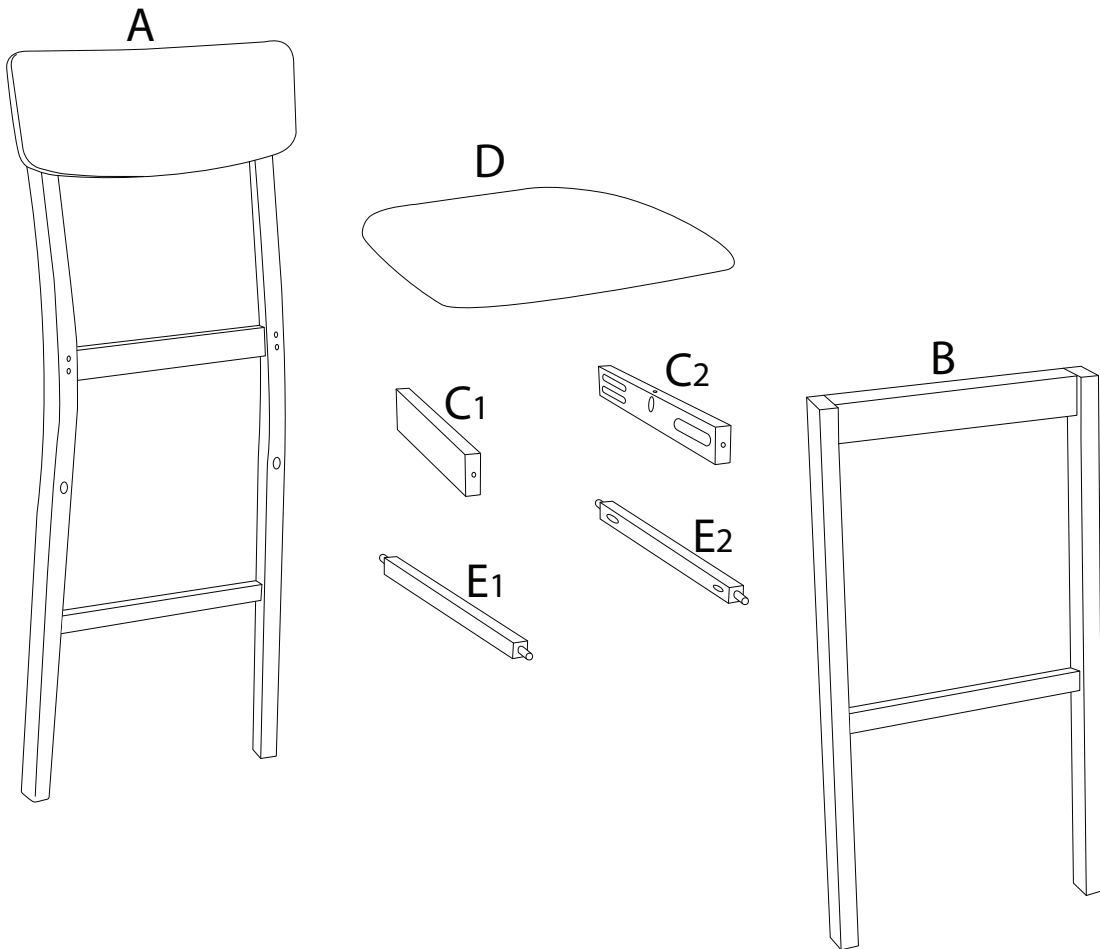
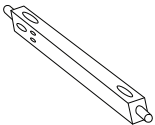
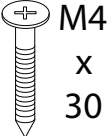
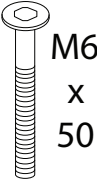
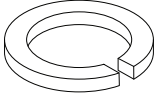




Diagram illustrating assembly instructions and safety warnings:

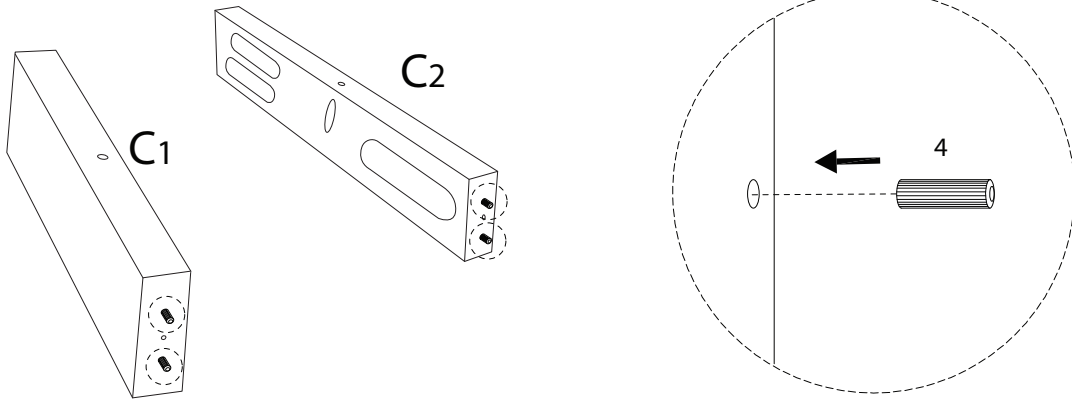
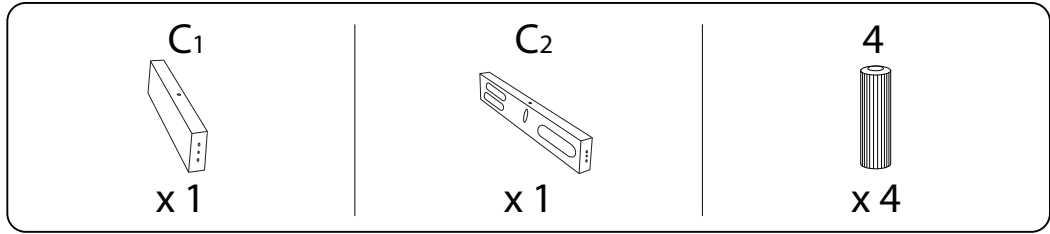
- Top Section:** Shows a circle containing a screwdriver and an Allen key, and a crossed-out power drill. To the right is a warning triangle with an exclamation mark. Below the warning triangle is a clock icon with the text "30'" below it.
- Bottom Section:** Shows a circle containing a rectangular block being placed on a textured surface, and a crossed-out block being placed on a smooth surface. To the right is a warning triangle with an exclamation mark. Below the warning triangle is a person icon with the text "2" below it.

<b>A</b>	<b>B</b>	<b>C<sub>1</sub></b>	<b>C<sub>2</sub></b>	<b>D</b>	<b>E<sub>1</sub></b>
					
<b>x 1</b>	<b>x 1</b>	<b>x 1</b>	<b>x 1</b>	<b>x 1</b>	<b>x 1</b>



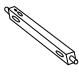
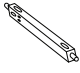
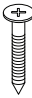
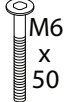
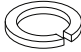
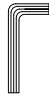


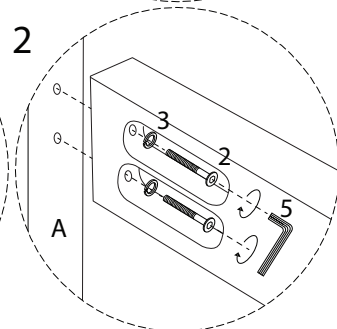
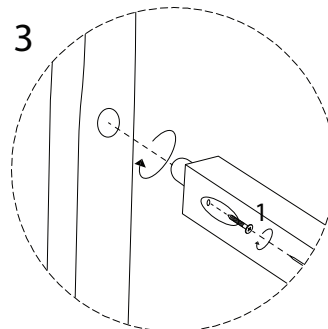
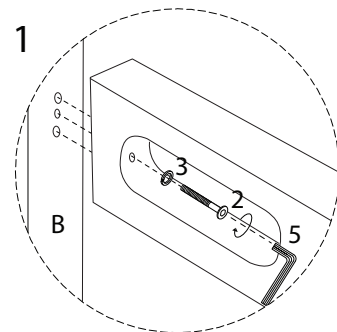
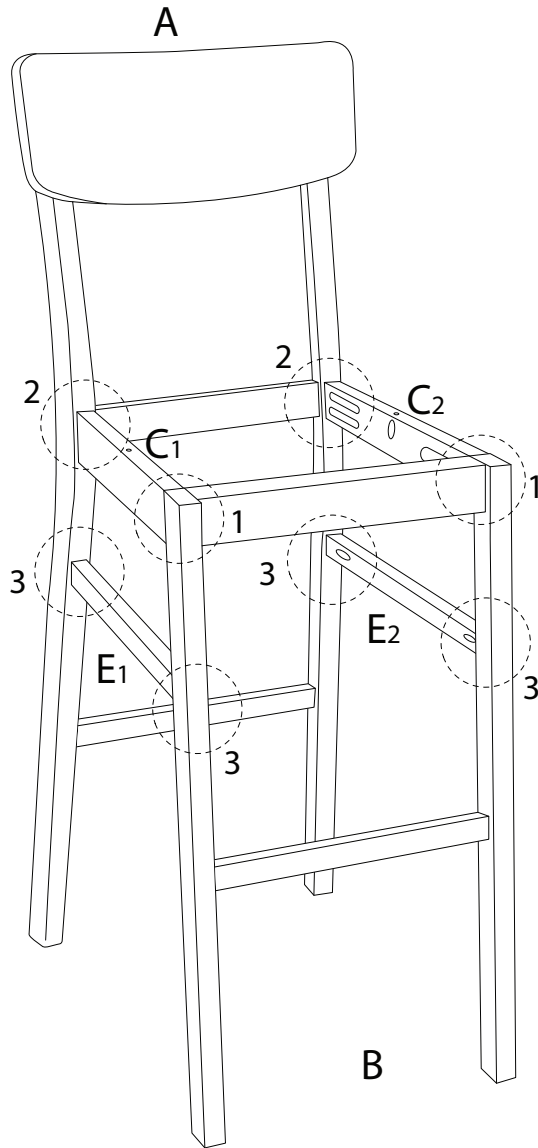
<b>E<sub>2</sub></b>	<b>1</b>	<b>2</b>	<b>3</b>	<b>4</b>	<b>5</b>
	 M4 x 30	 M6 x 50			
<b>x 1</b>	<b>x 7</b>	<b>x 6</b>	<b>x 6</b>	<b>x 4</b>	<b>x 1</b>

1



2

<b>A</b>  x 1	<b>B</b>  x 1	<b>E1</b>  x 1	<b>E2</b>  x 1	<b>1</b>  M4 x 30 x 4	<b>2</b>  M6 x 50 x 6	<b>3</b>  x 6	<b>5</b>  x 1
--	--	---	---	--	--	--	--



3

D



x 1

1



x 3

