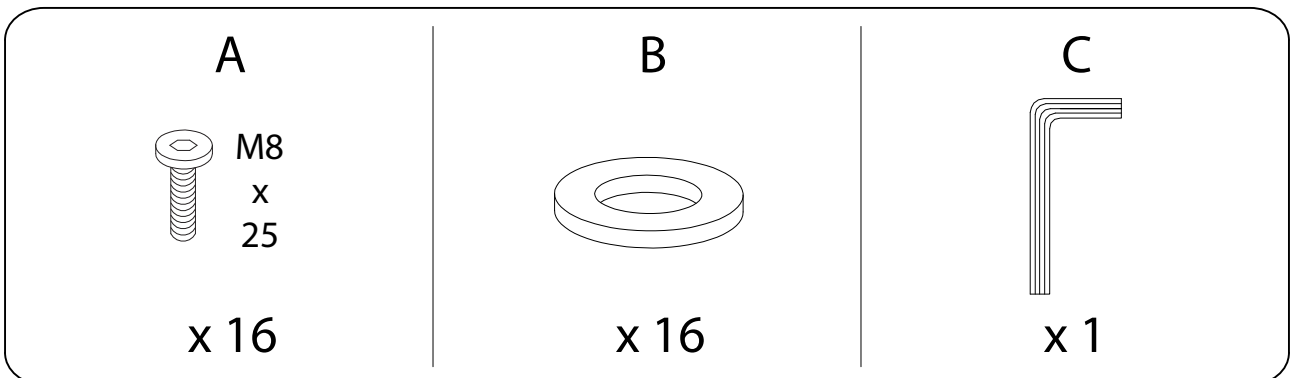
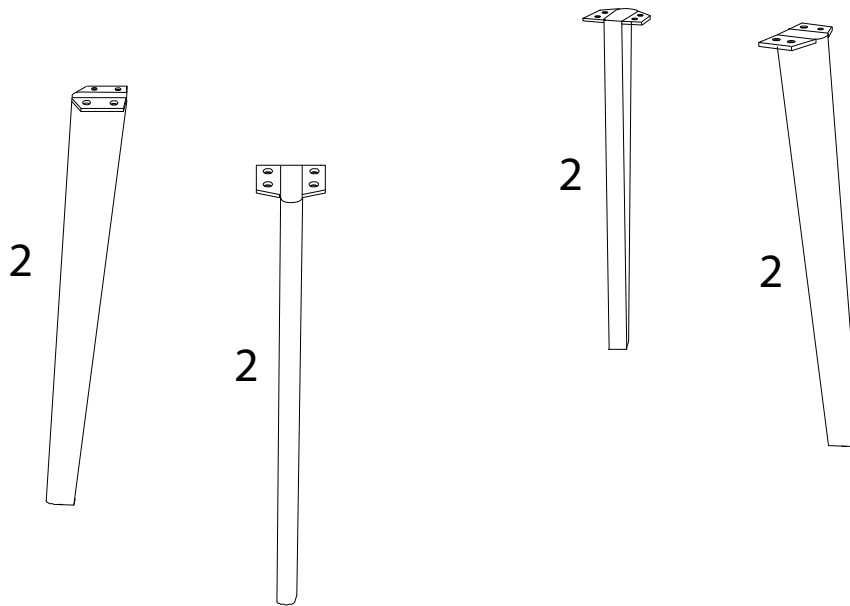
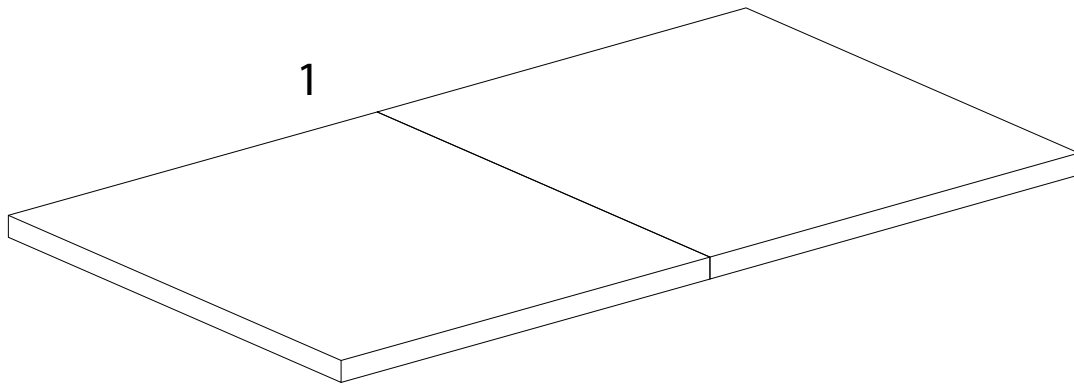
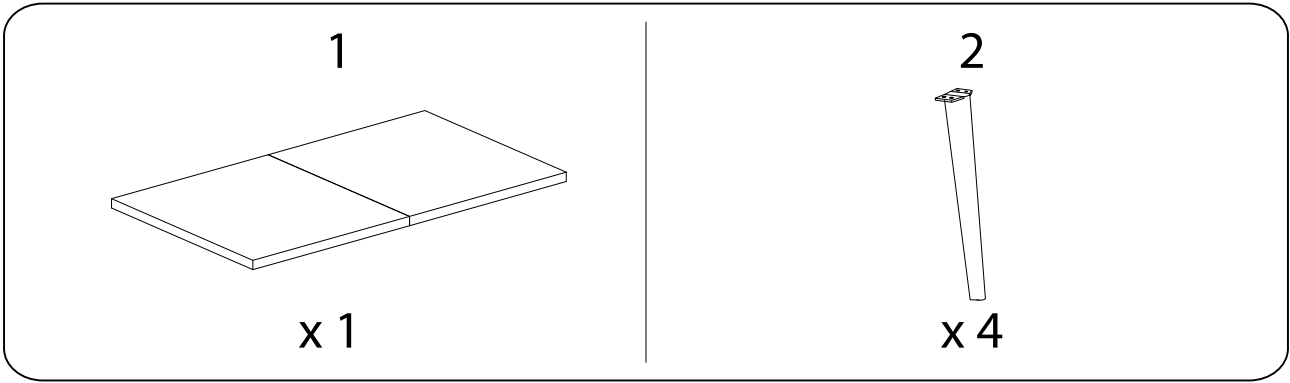
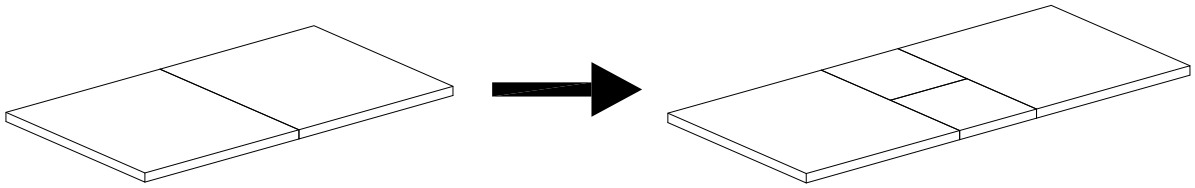
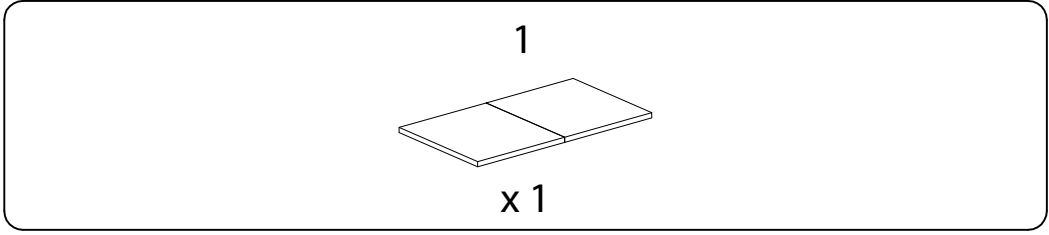


Assembly instructions for the table, including safety warnings, time, and personnel requirements.

- Warning 1:** A warning triangle with an exclamation mark is connected by a line to a box containing an icon of an L-shaped bracket and a crossed-out power drill, indicating that a power drill should not be used for this step.
- Warning 2:** A second warning triangle with an exclamation mark is connected by a line to a box containing an icon of a rectangular block being placed on a surface and a crossed-out icon of a block being lifted or moved, indicating a specific handling instruction.
- Time:** A clock icon is positioned above the text "30'", indicating the estimated time required for this step.
- Personnel:** A stick figure icon is positioned above the number "2", indicating that two people are required for this step.



1



2

