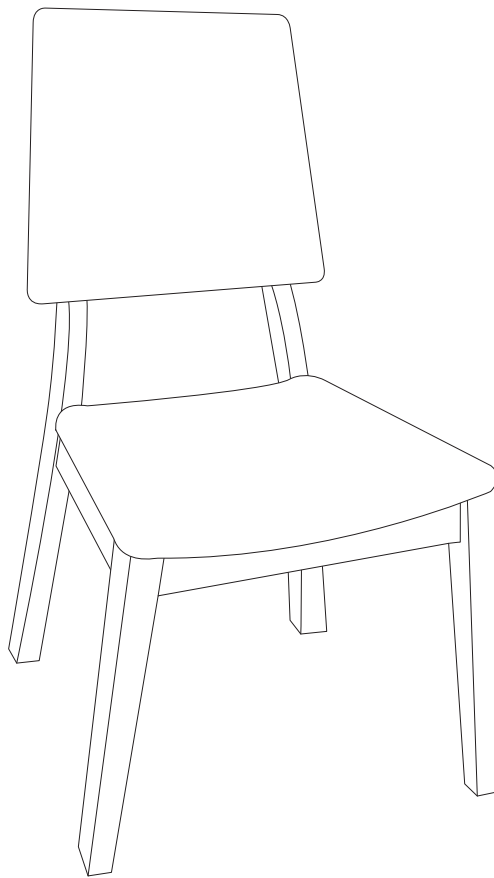
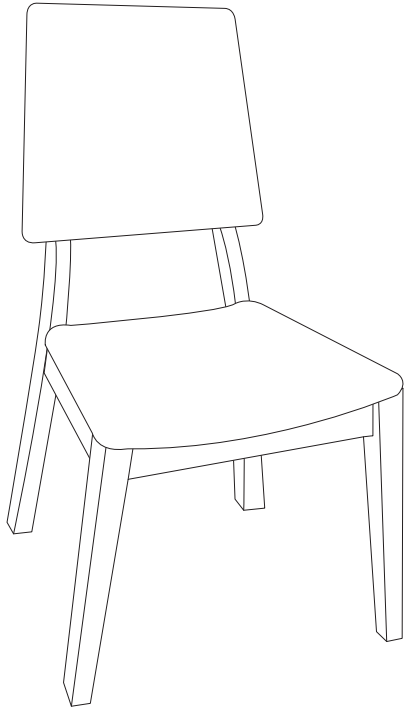


MERRILL


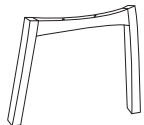
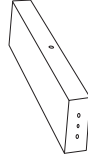
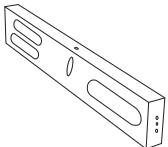



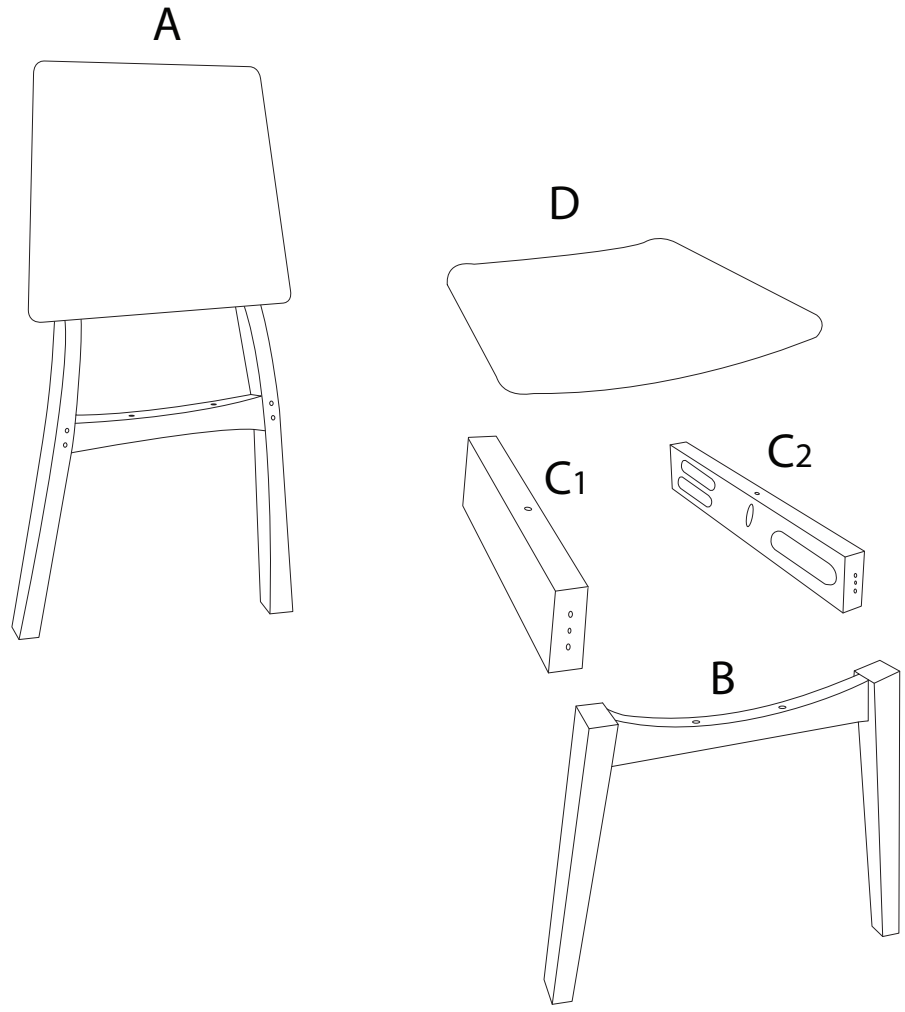


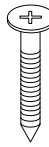
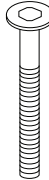
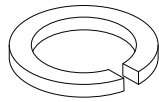
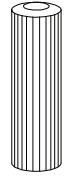
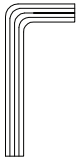
30'

2

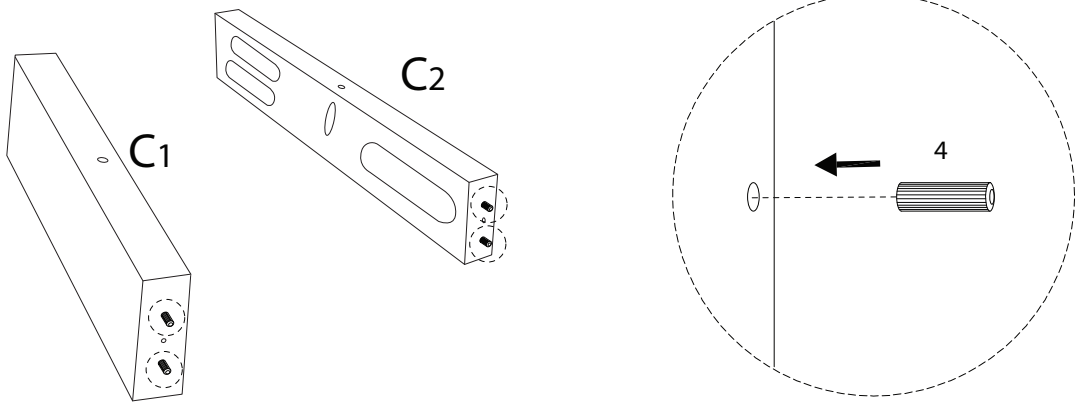
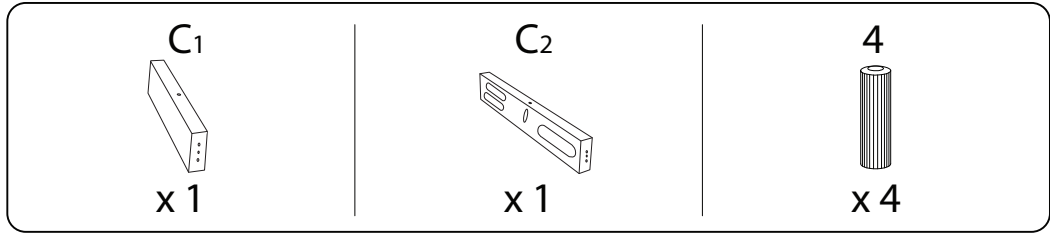
1/4

A	B	C1	C2	D
				
x 1	x 1	x 1	x 1	x 1

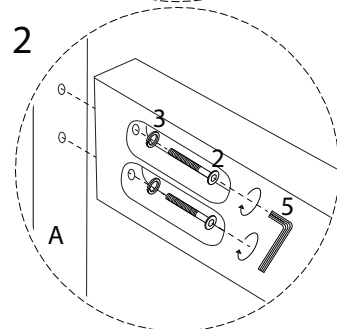
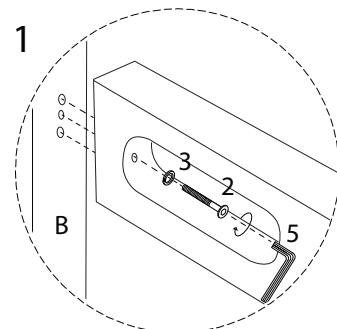
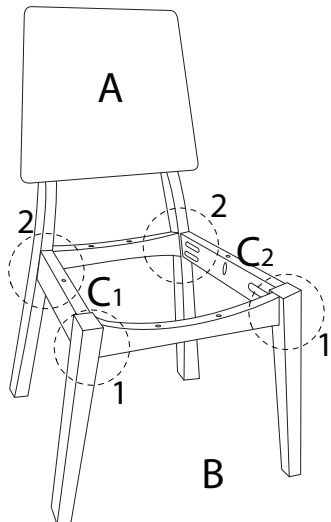
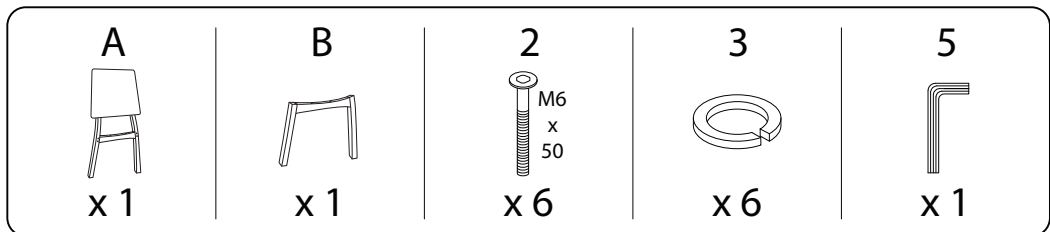


1	2	3	4	5
 M4 x 30	 M6 x 50			
x 6	x 6	x 6	x 4	x 1

1



2



3

D

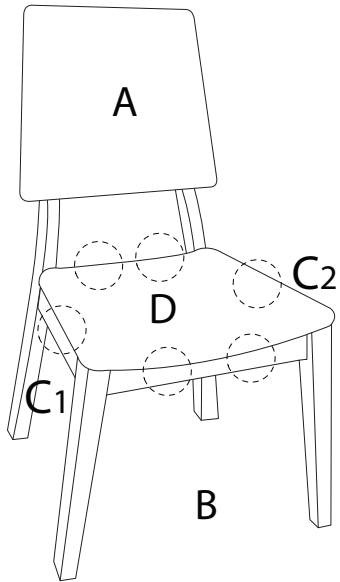


x 1

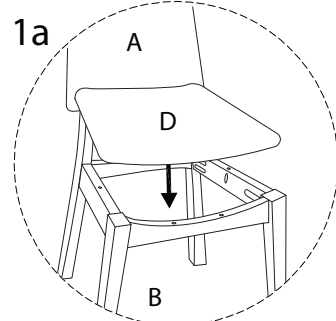
1



x 6



1a



1b

