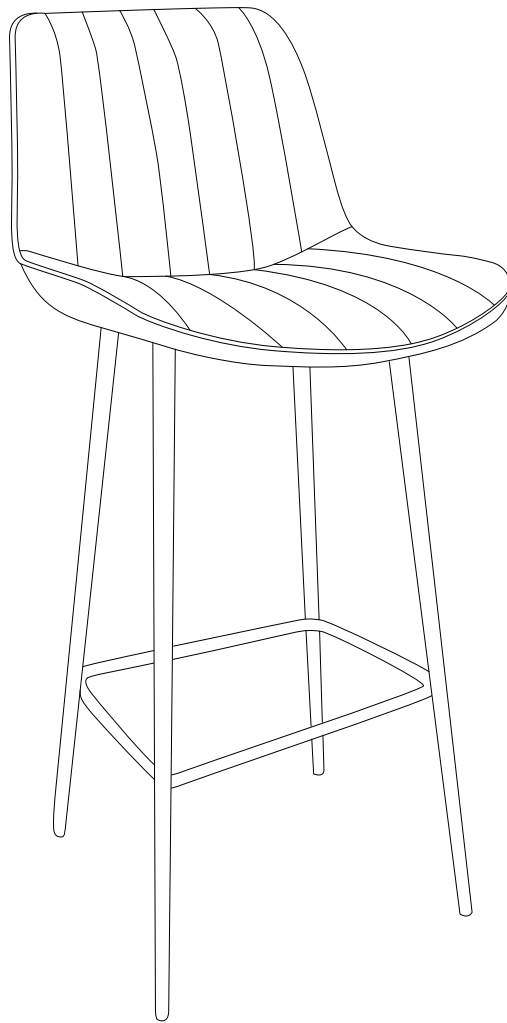
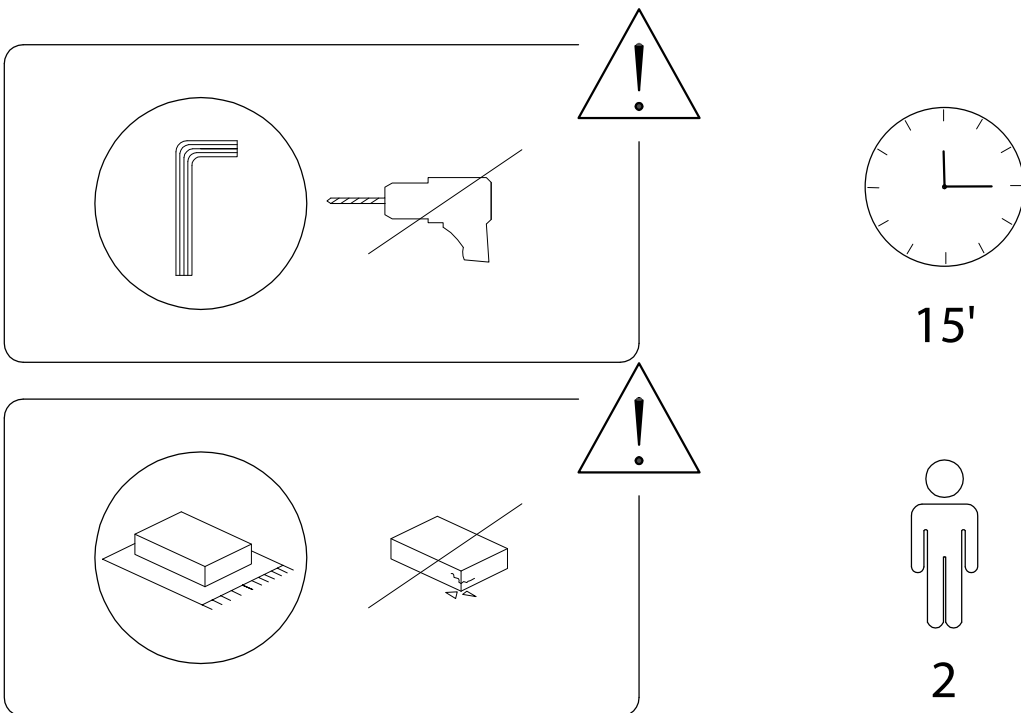
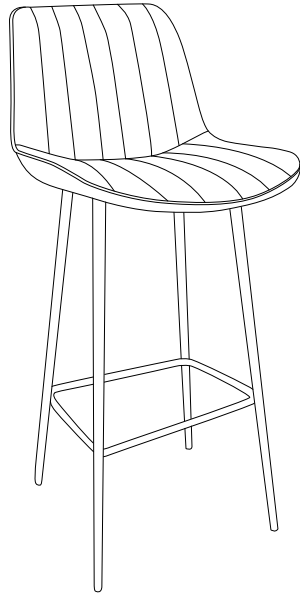
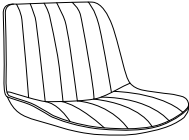
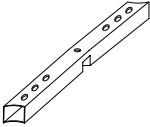
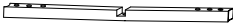

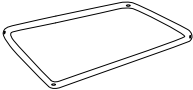
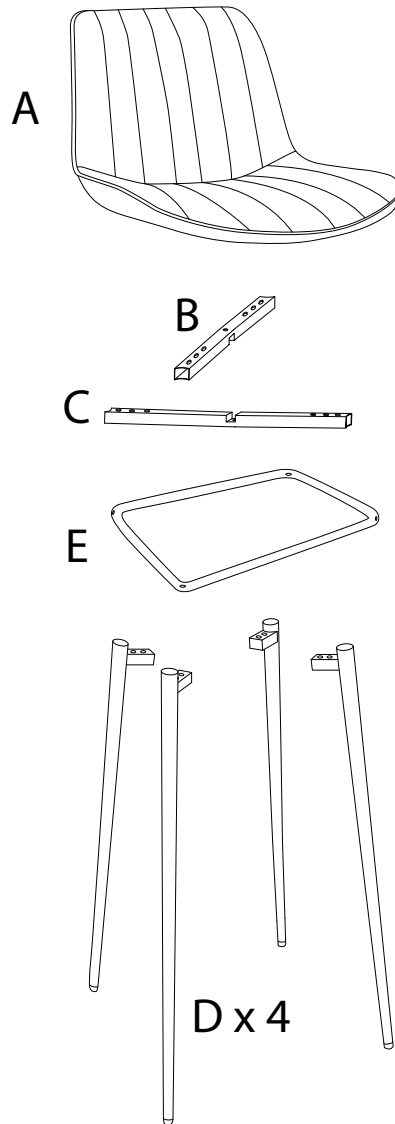


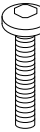
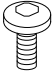
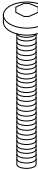
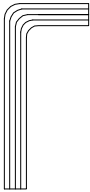
# DUBROVNIK



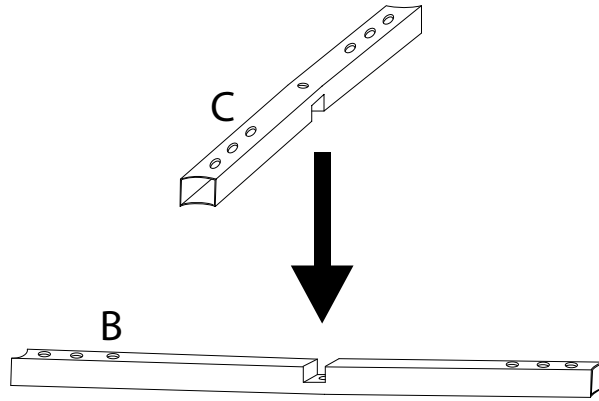
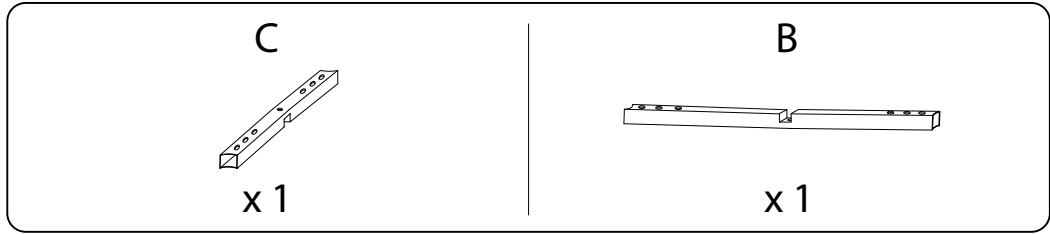


|   |   |   |   |   |
|---|---|---|---|---|
| <b>A</b>  | <b>B</b>  | <b>C</b>  | <b>D</b>  | <b>E</b>  |
|  |  |  |  |  |
| <b>x 1</b>  | <b>x 1</b>  | <b>x 1</b>  | <b>x 4</b>  | <b>x 1</b>  |

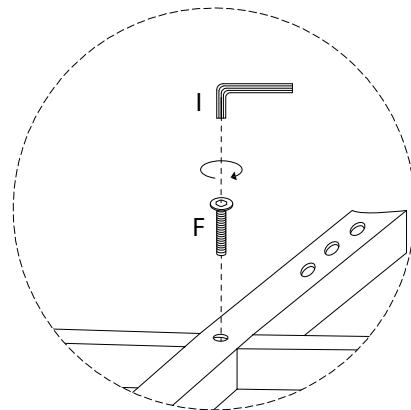
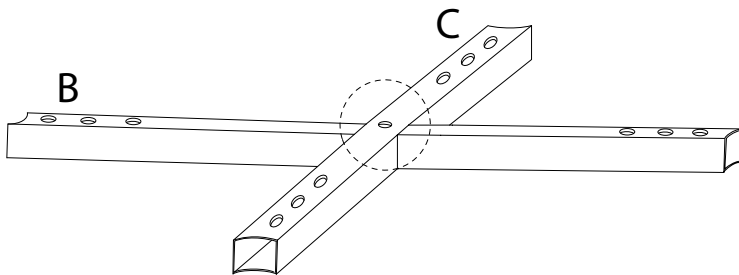
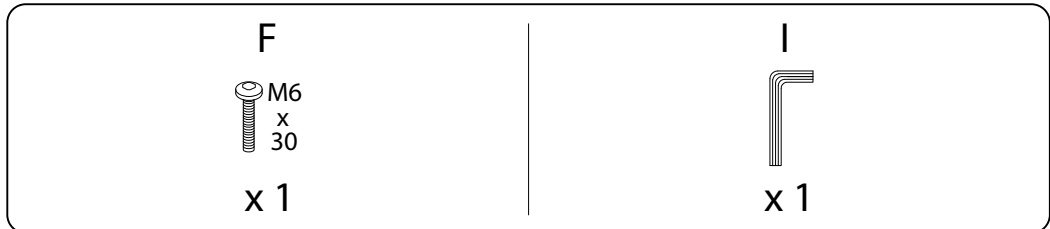


|   |   |   |   |
|---|---|---|---|
| <b>F</b>  | <b>G</b>  | <b>H</b>  | <b>I</b>  |
|  M6<br>x<br>30 |  M6<br>x<br>10 |  M6<br>x<br>45 |  |
| <b>x 5</b>  | <b>x 8</b>  | <b>x 4</b>  | <b>x 1</b>  |

1



2



3

D



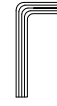
x 4

G

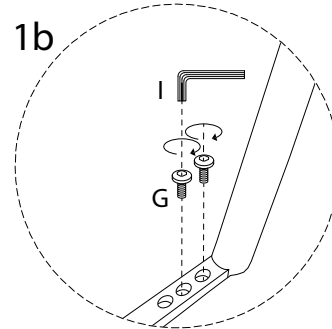
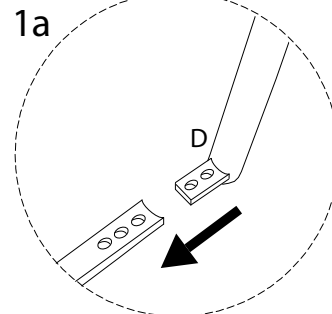
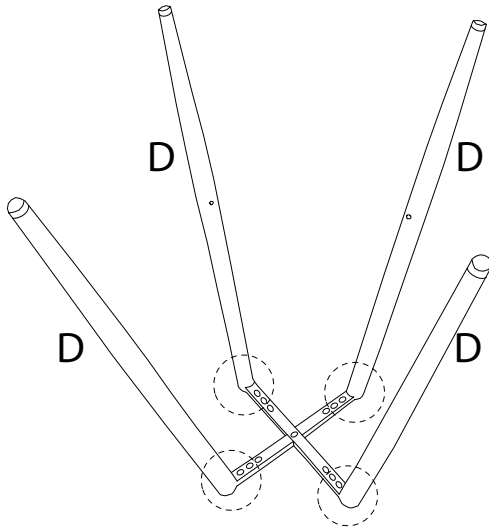


x 8

I

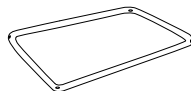


x 1



4

E



x 1

F

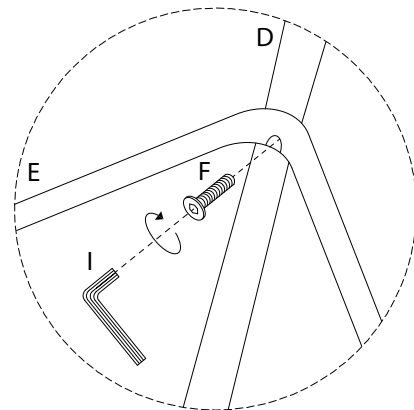
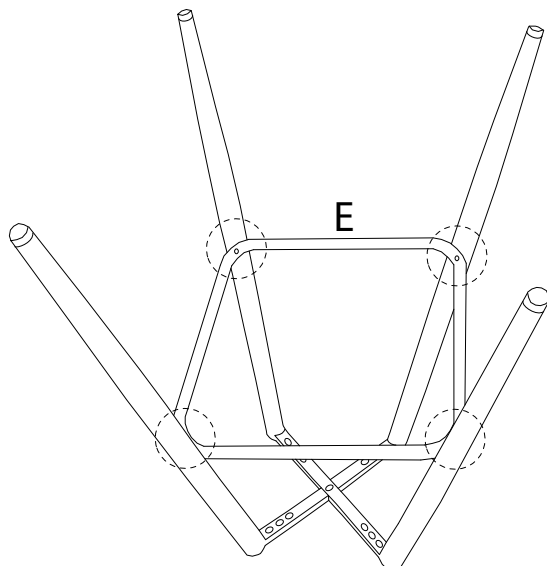


x 4

I

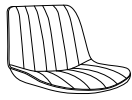


x 1



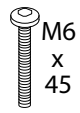
5

A



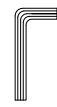
x 1

H

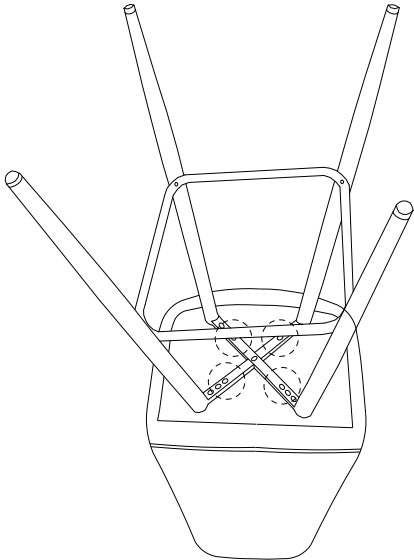


x 4

I



x 1



A

