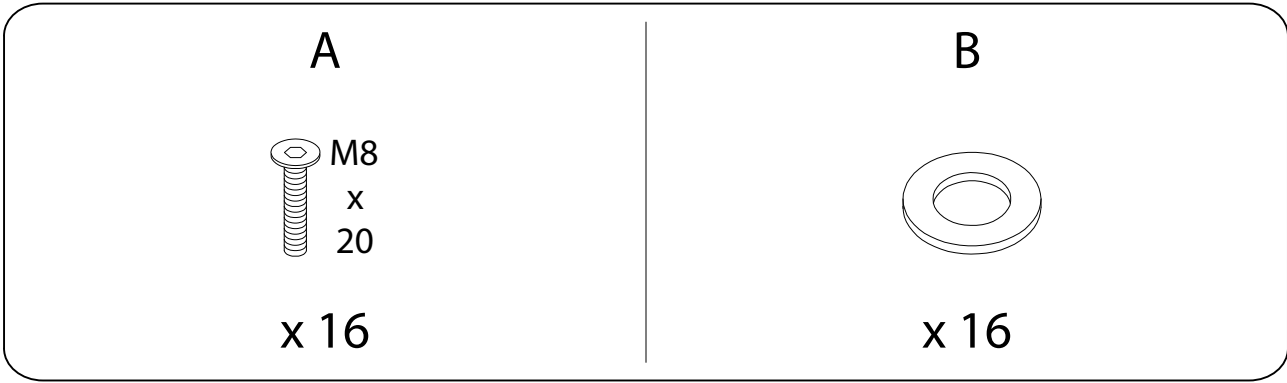


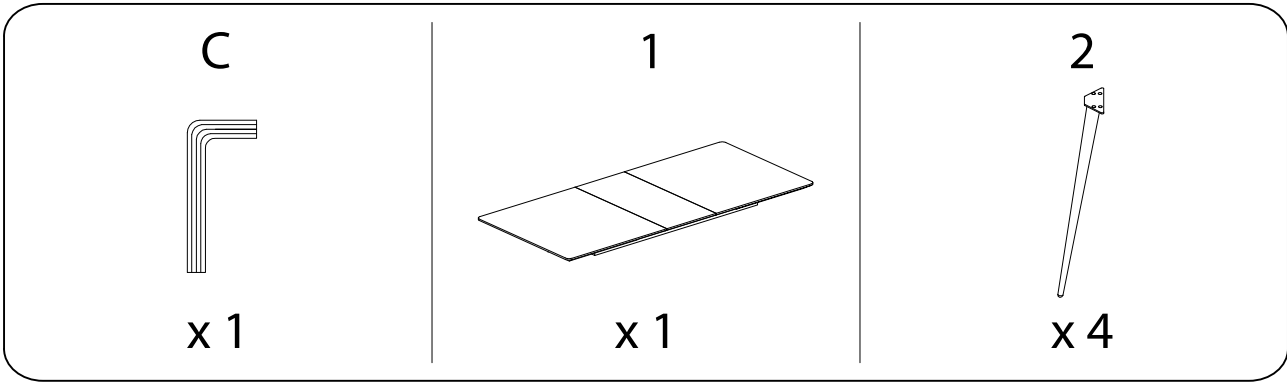
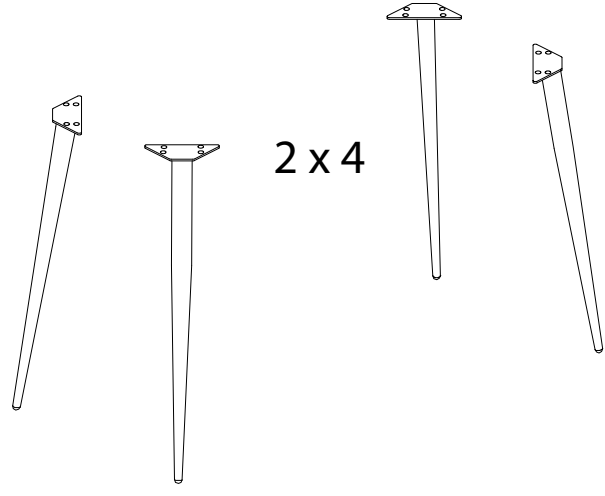
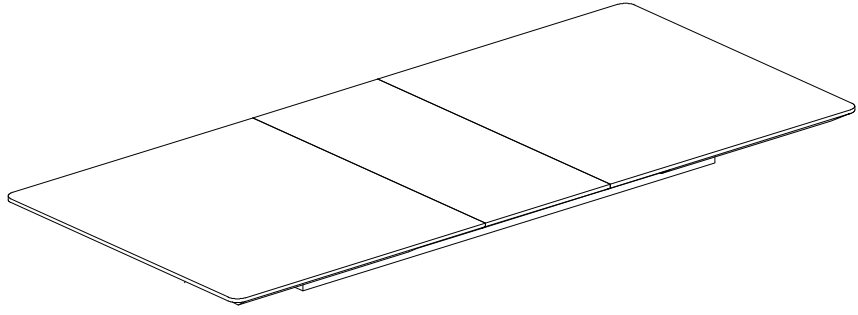
Diagram illustrating assembly steps and safety warnings:

- Step 1:** Shows an L-shaped bracket being inserted into a hole in the table. A power drill is shown with a slash through it, indicating that a power drill should not be used for this step. A warning triangle with an exclamation mark is present.
- Step 2:** Shows a rectangular block being placed on a surface. A power drill is shown with a slash through it, indicating that a power drill should not be used for this step. A warning triangle with an exclamation mark is present.
- Time:** A clock icon indicates a time of 30' (30 minutes).
- Personnel:** A person icon indicates that 2 people are required for assembly.

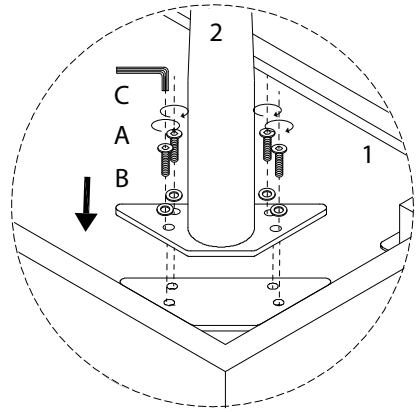
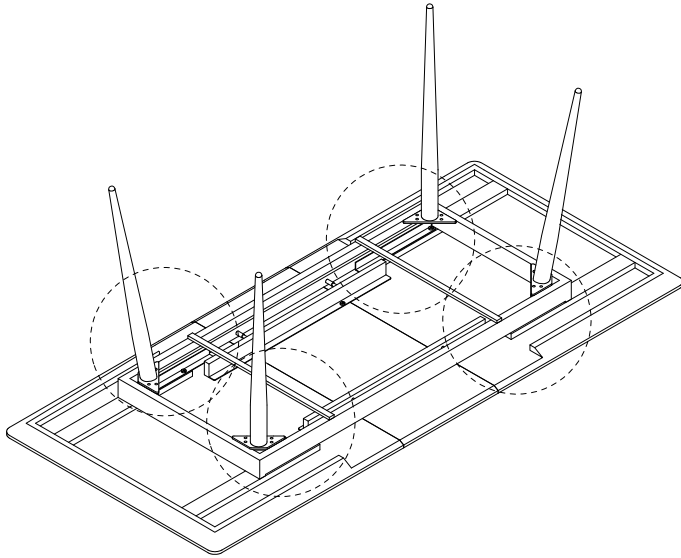
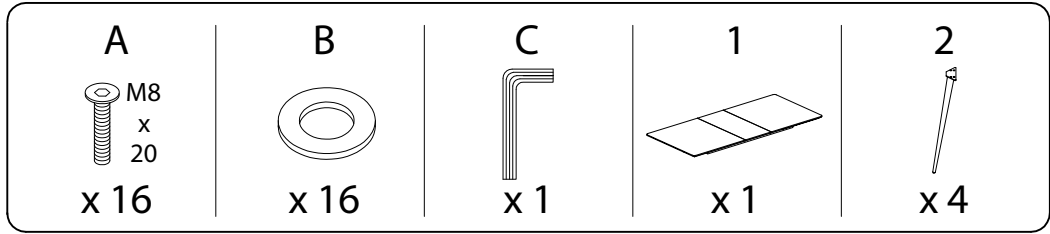
1/4



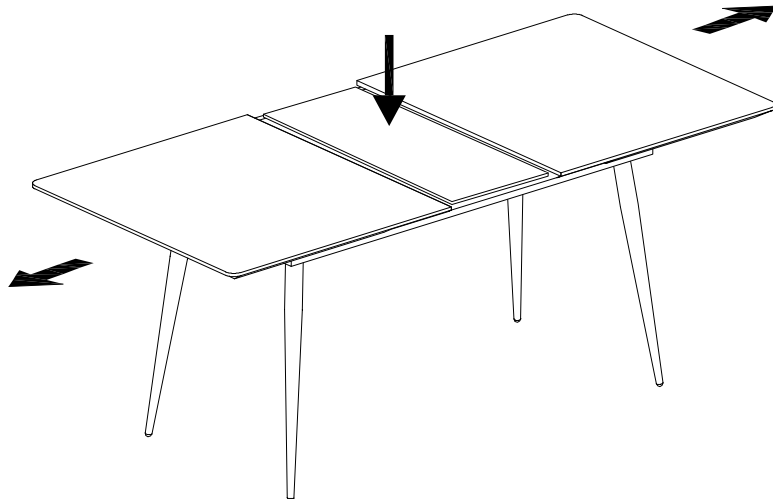
1



1



!



!

