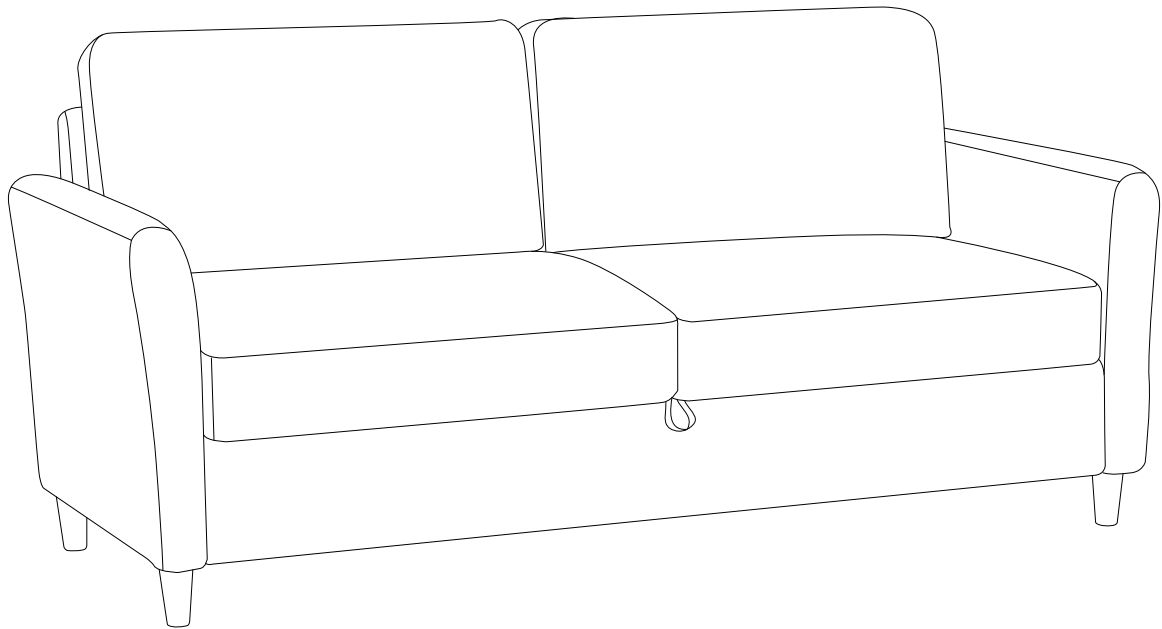
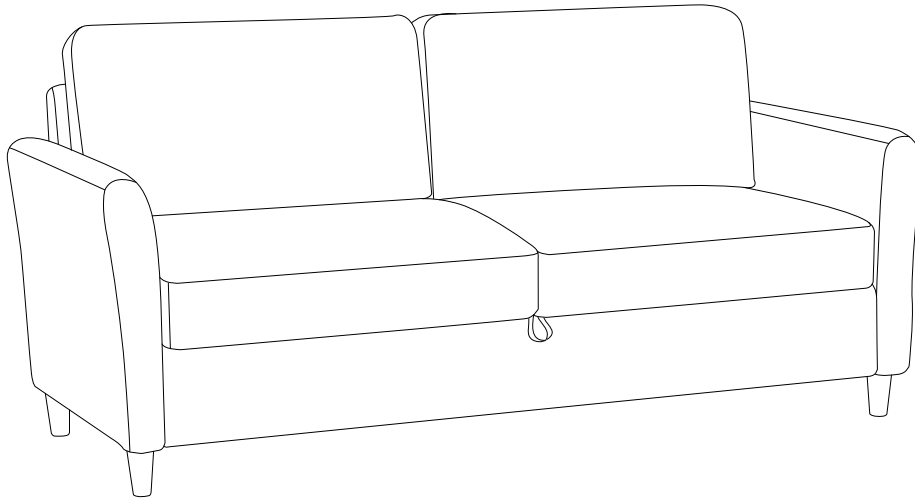
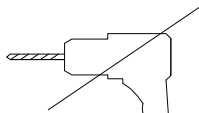

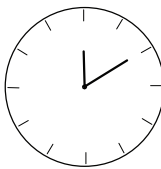
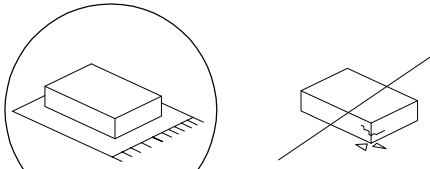


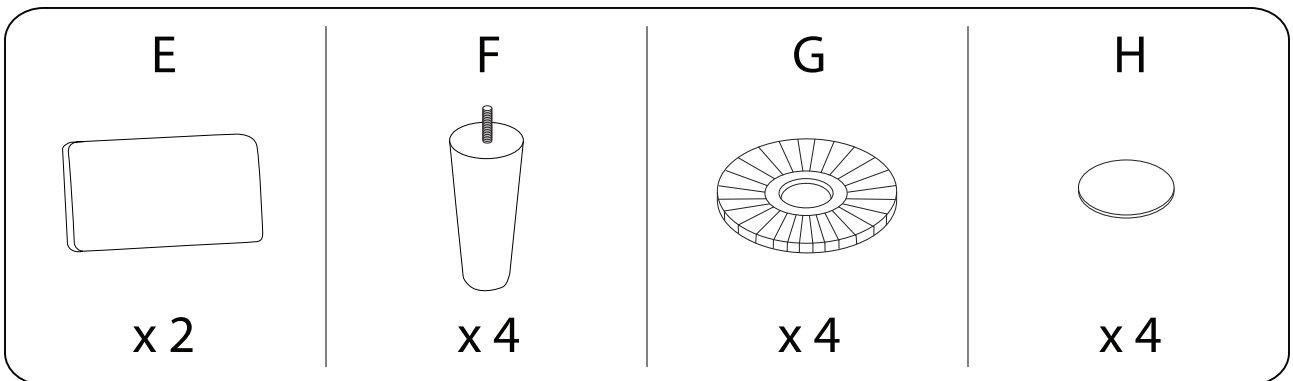
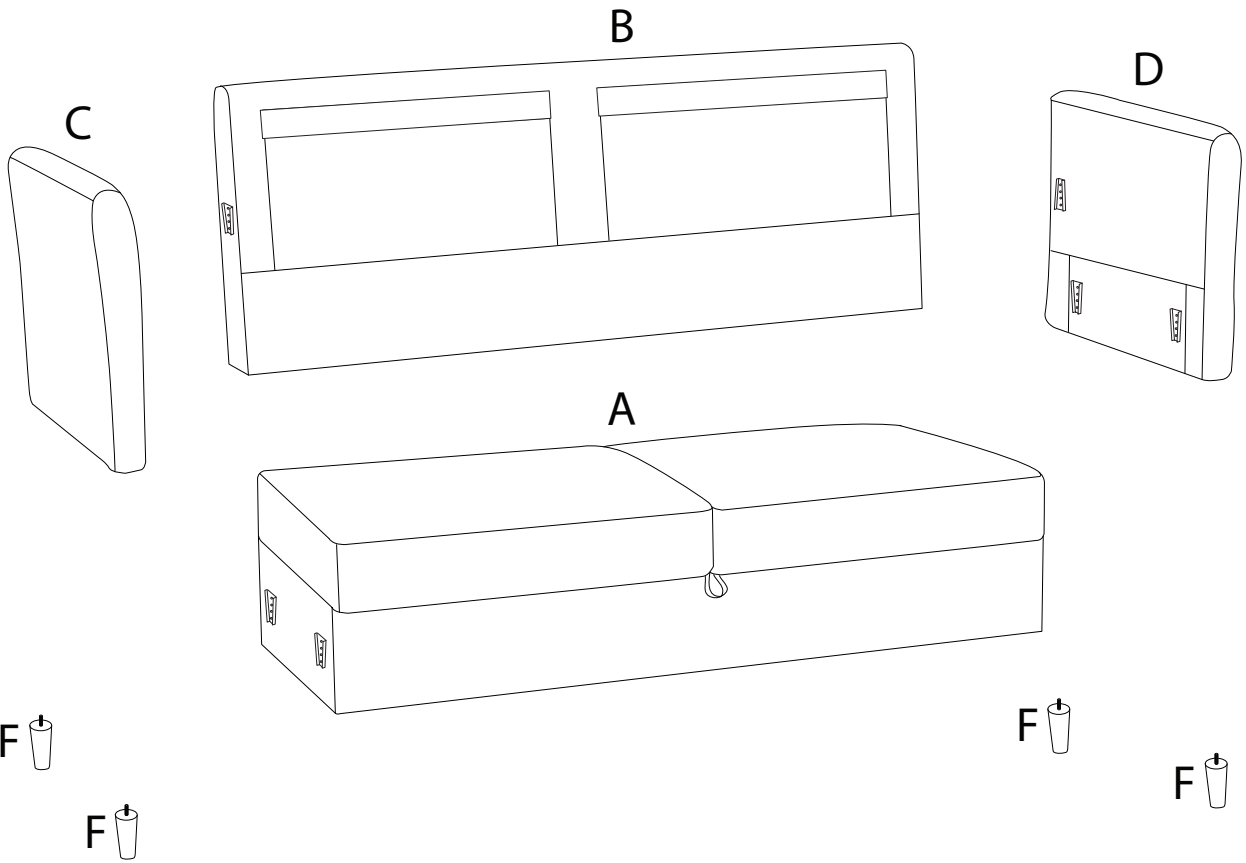
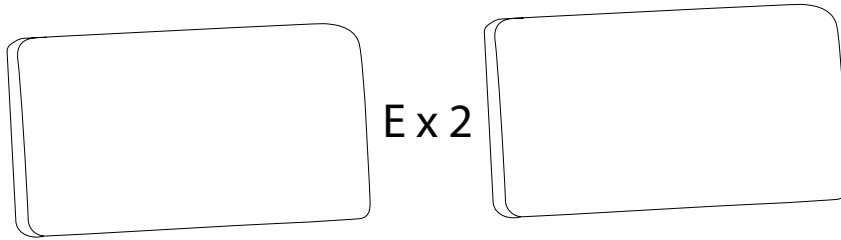
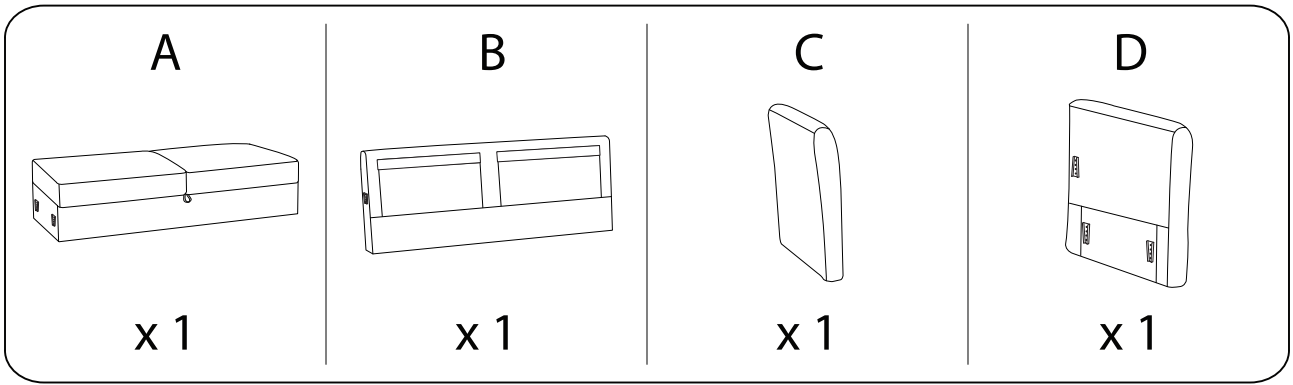


# MARE

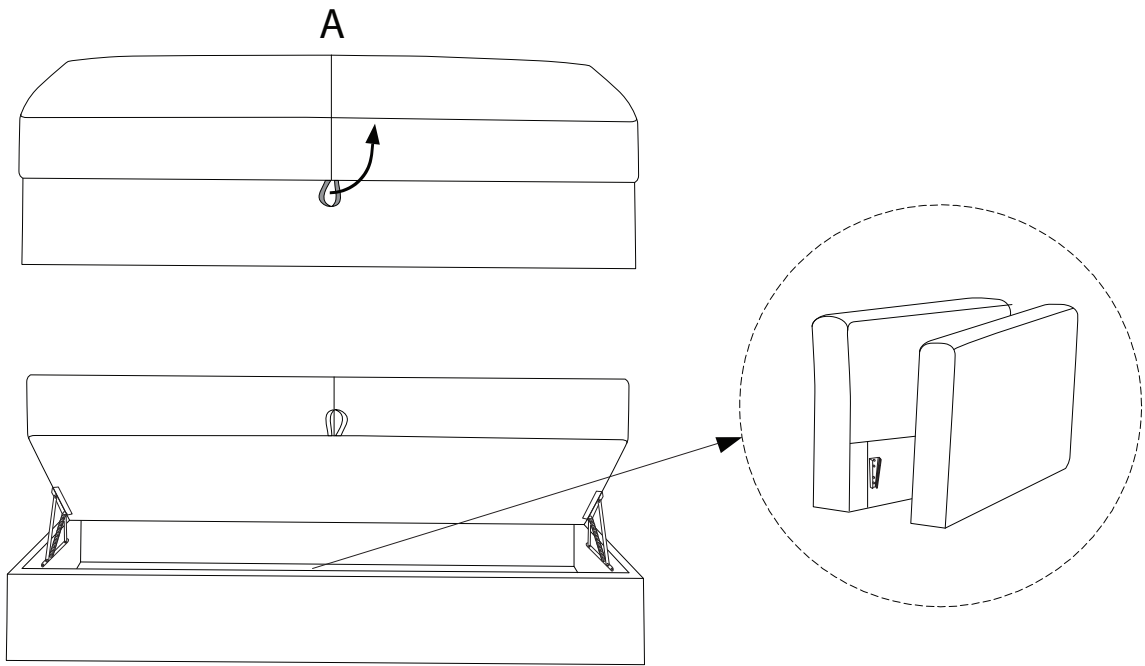




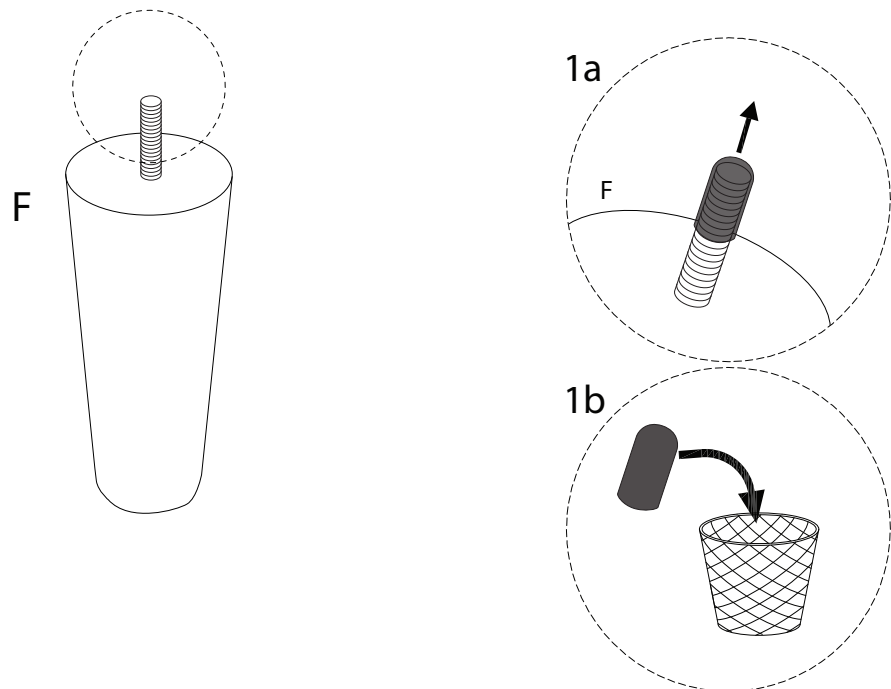
|   |   |   |
|---|---|---|
|  |  |  |
|   |   | <b>10'</b>  |
|  |  |  |
|   |   | <b>2</b>  |



!



!



1

C



x 1

D



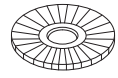
x 1

F

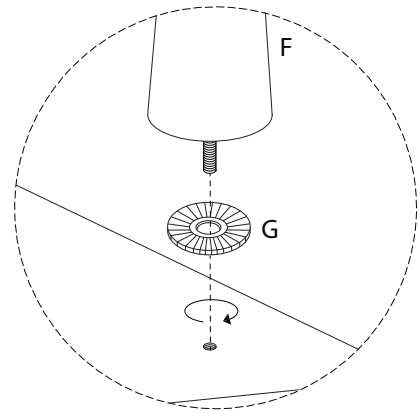
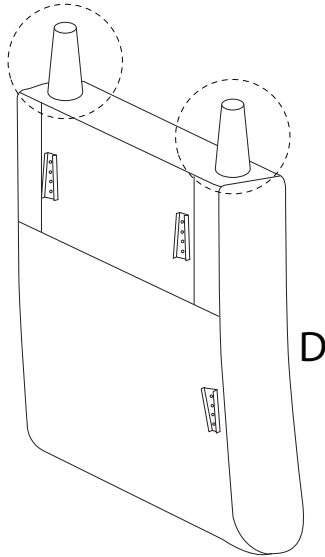
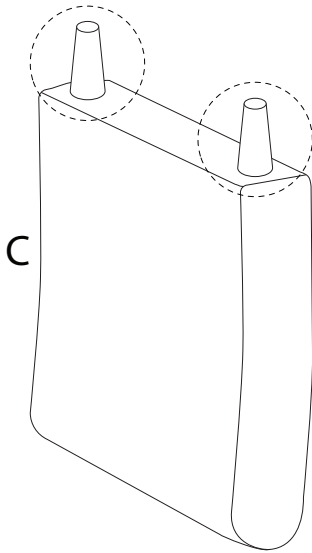


x 4

G



x 4

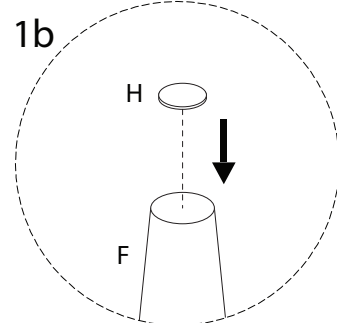
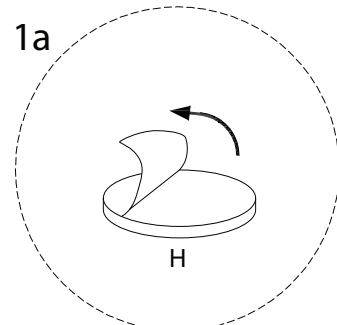
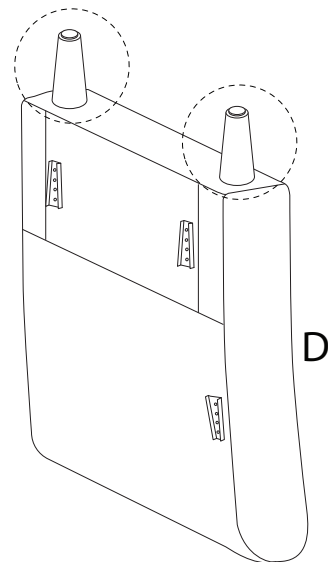
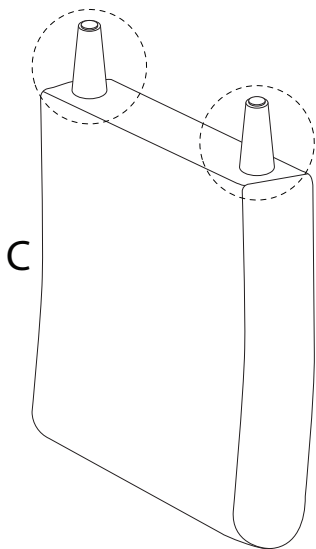


2

H

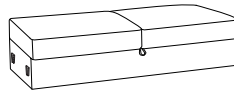


x 4

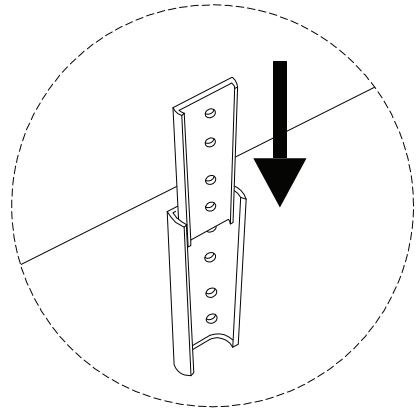
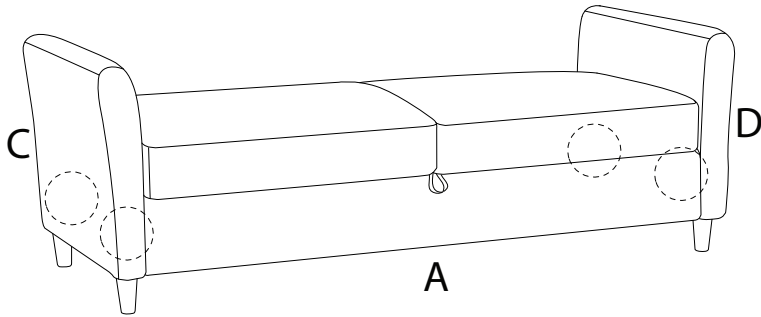


3

A

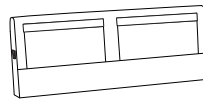


x 1

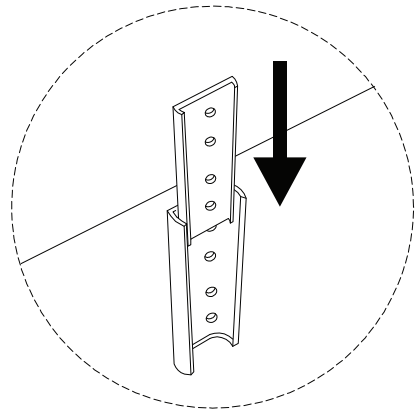
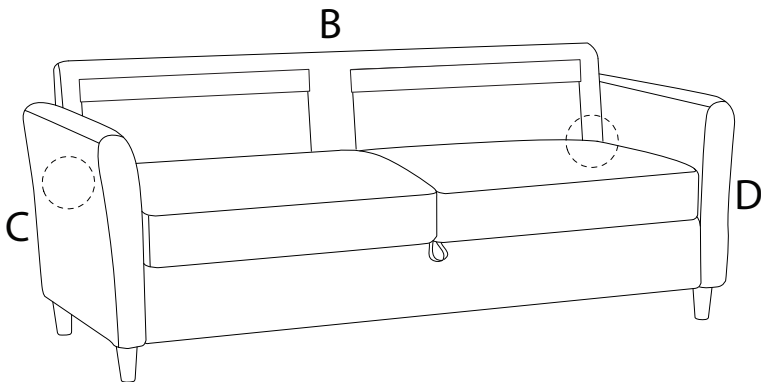


4

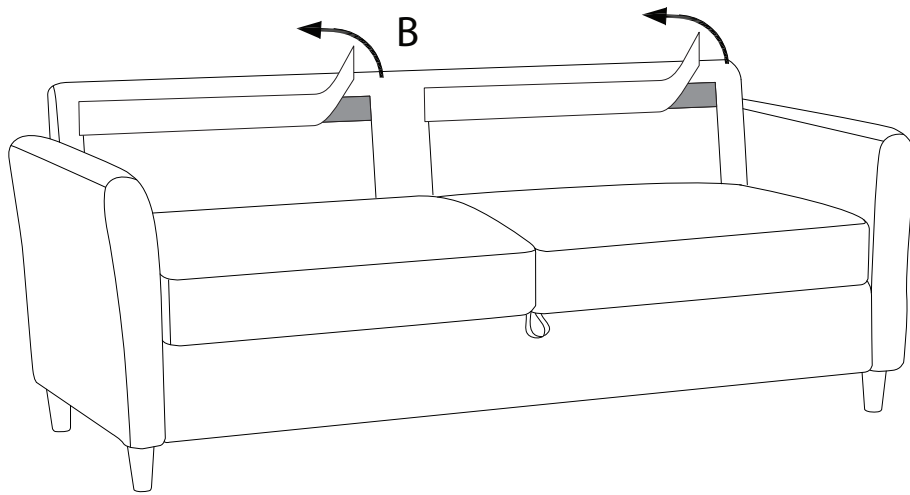
B



x 1



5



6

