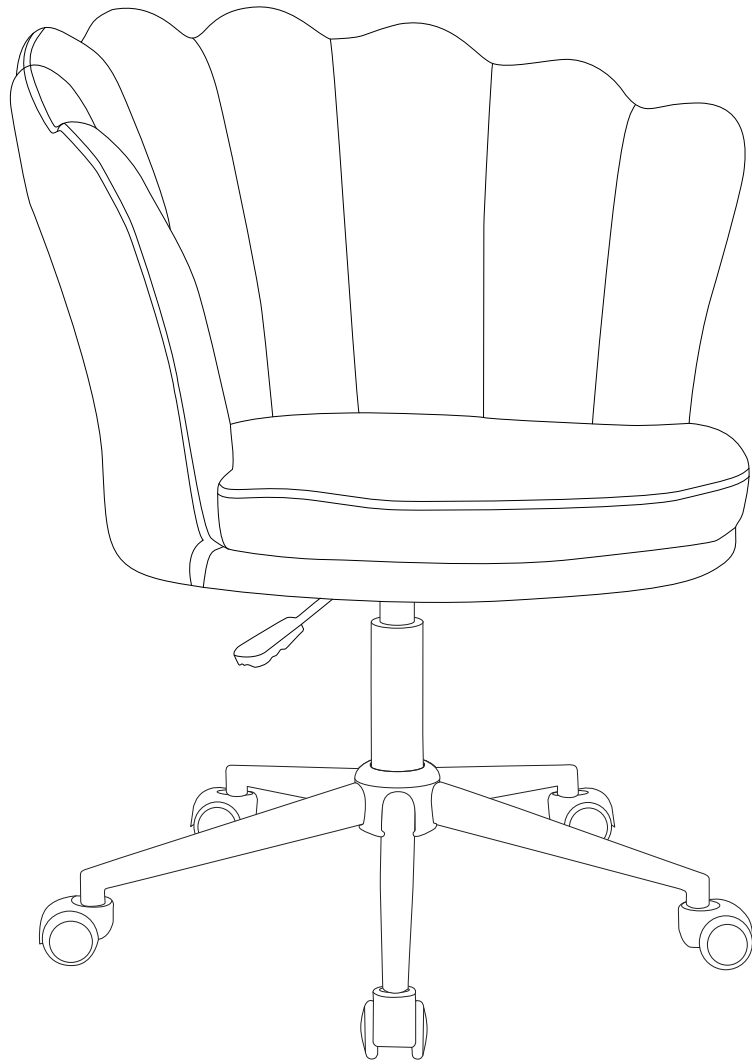
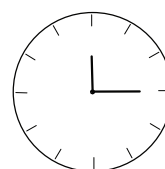
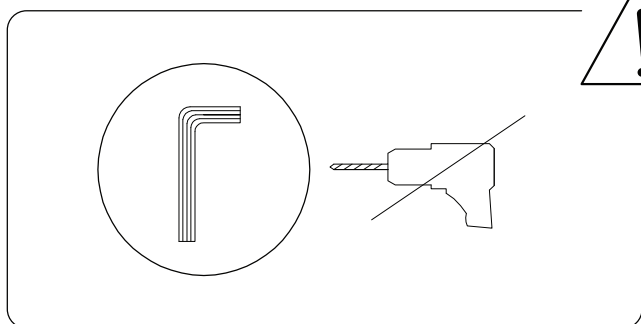
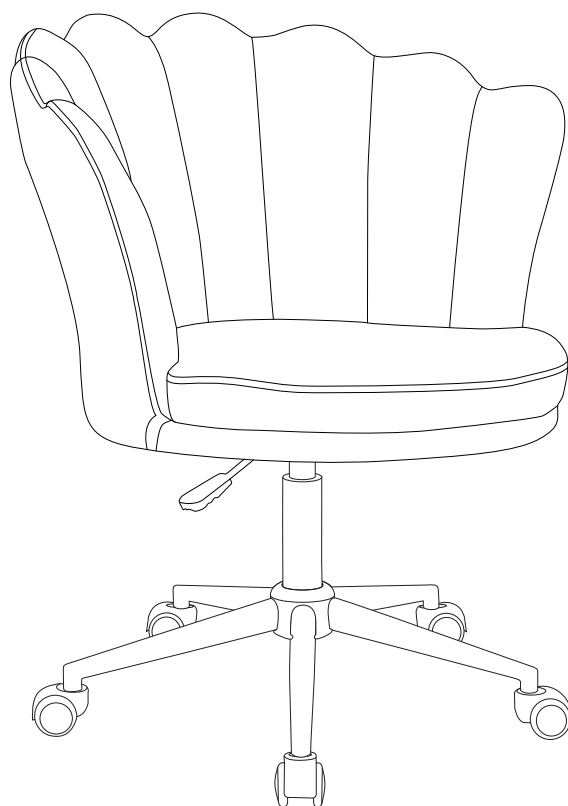
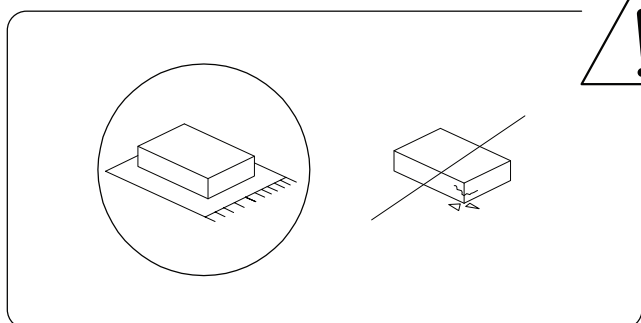


MONTICELLO



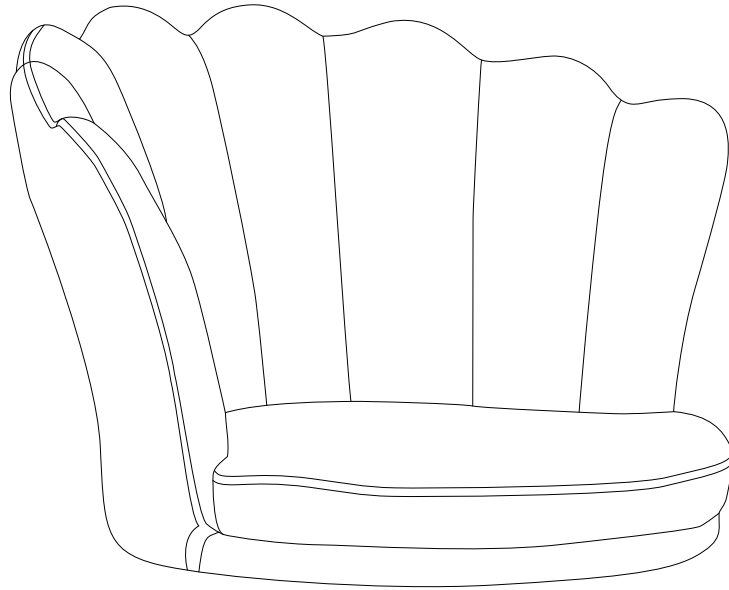


15'

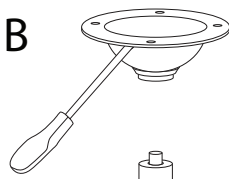


1

A



B



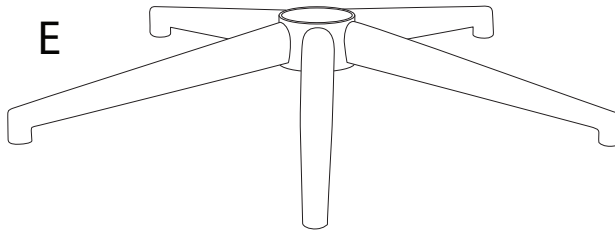
C



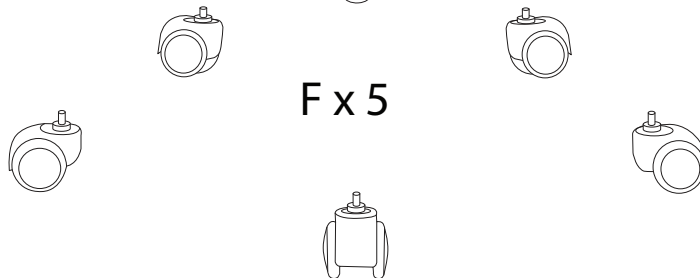
D



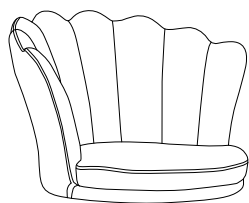
E



F x 5

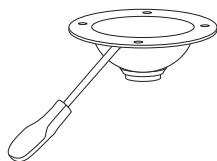


A



x 1

B



x 1

C



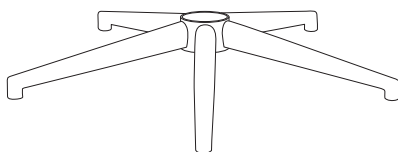
x 1

D



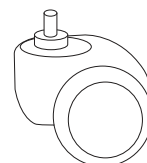
x 1

E



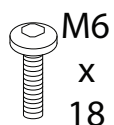
x 1

F



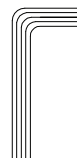
x 5

G



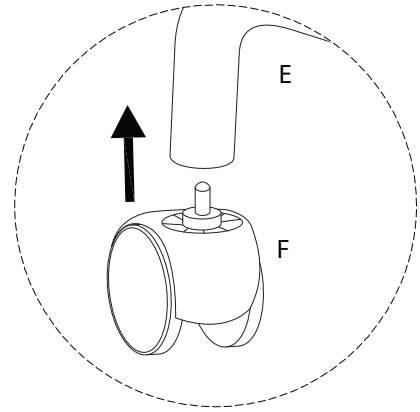
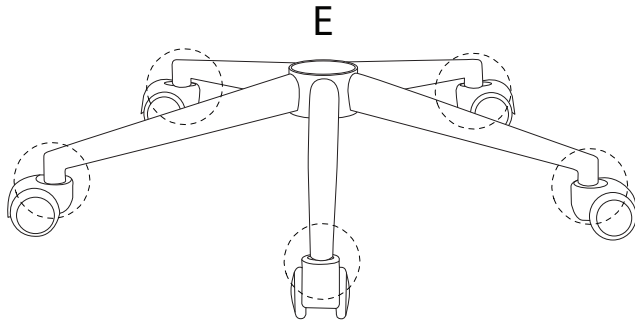
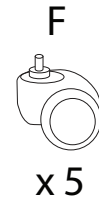
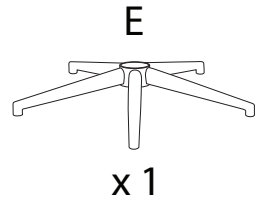
x 4

H

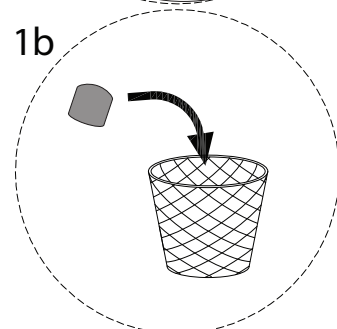
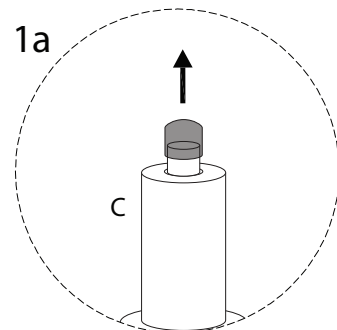
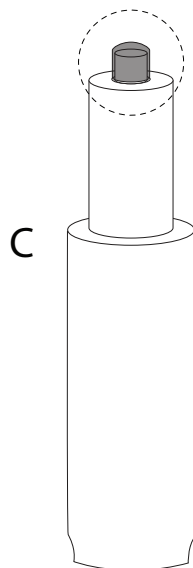


x 1

1

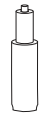


!



2

C

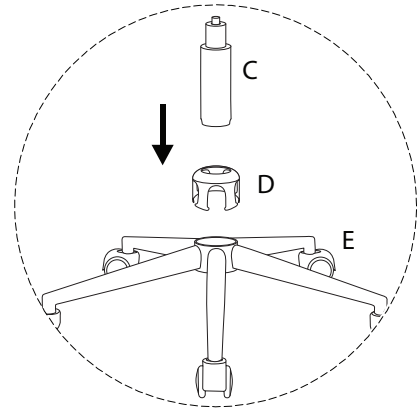
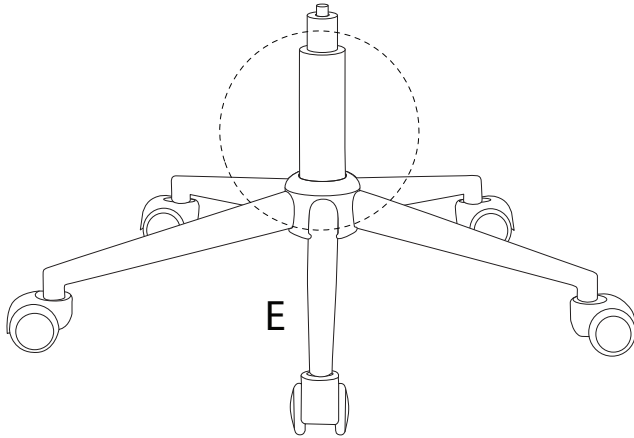


x 1

D

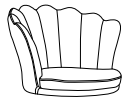


x 1



3

A



x 1

B



x 1

G



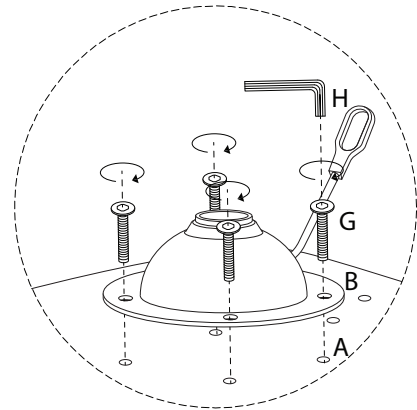
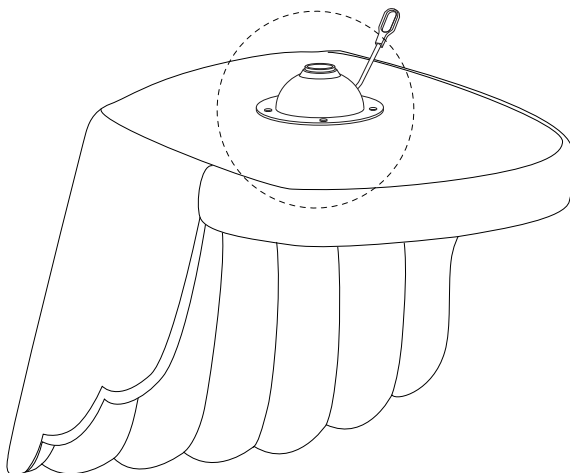
x 4

H

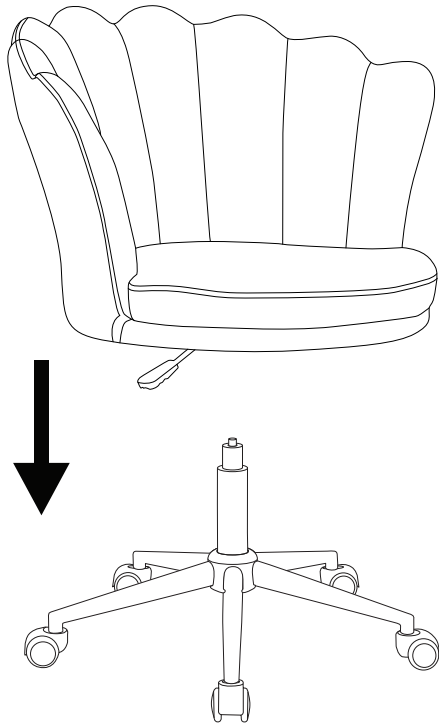


x 1

A



4



!

