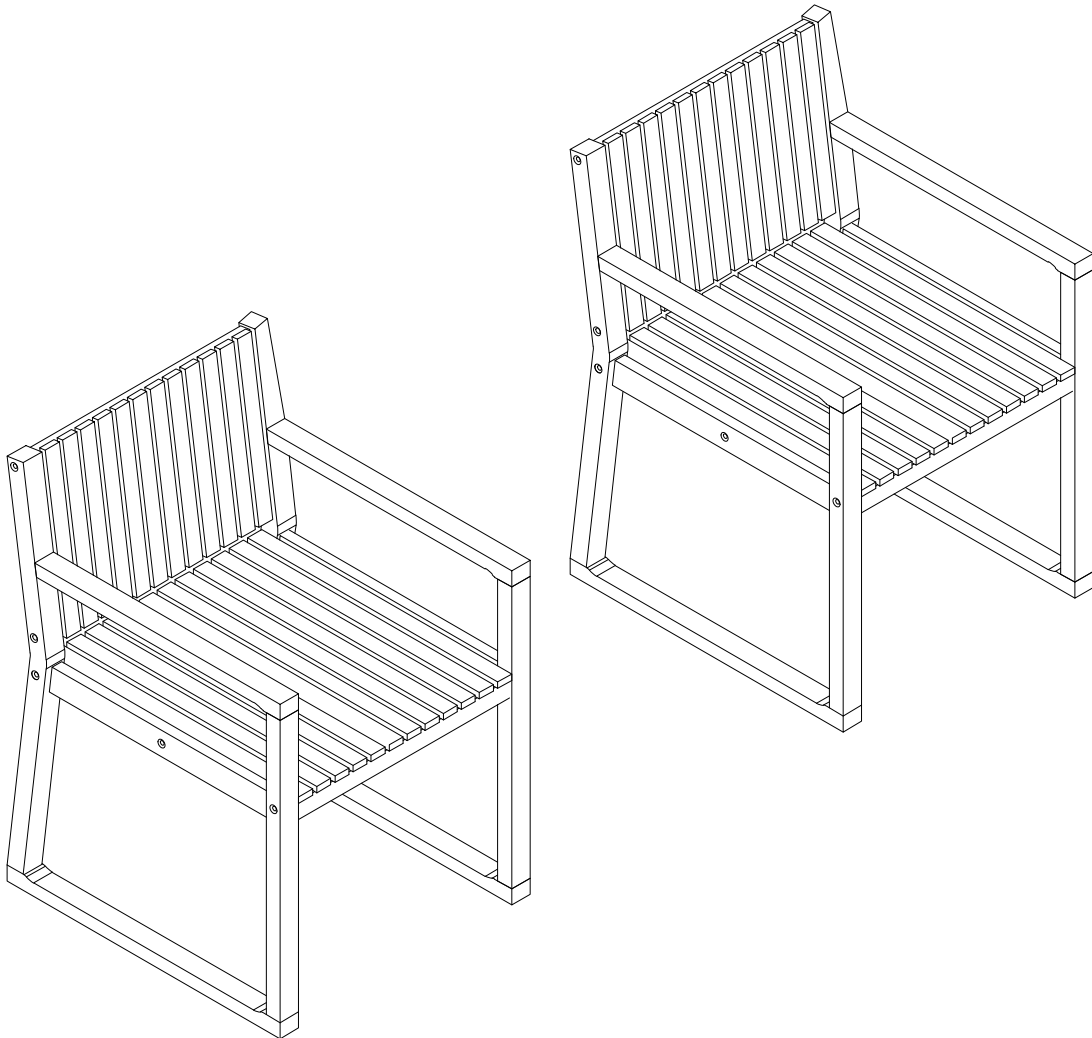
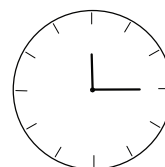
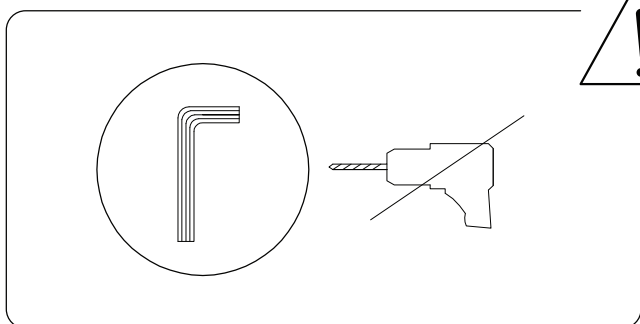
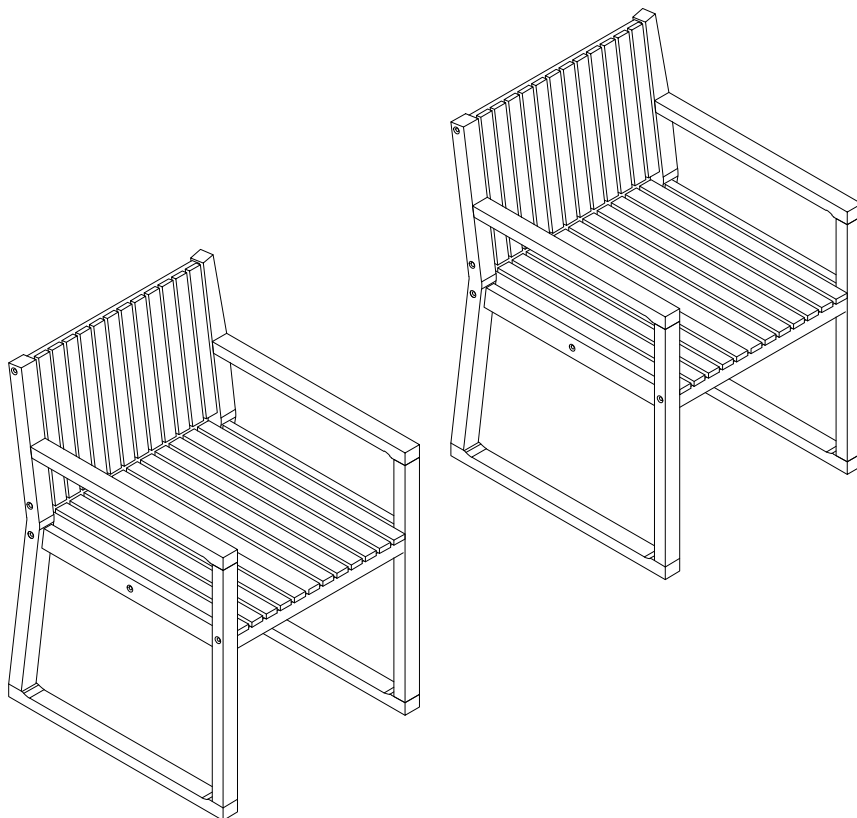
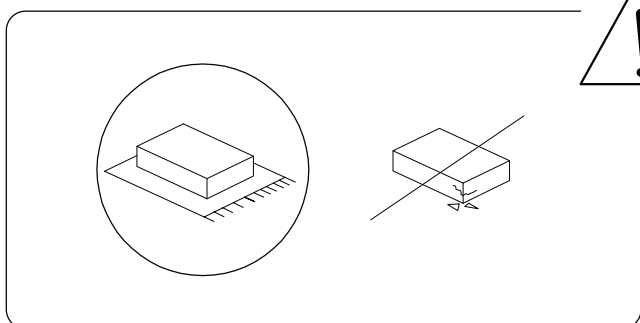


SASSARI II

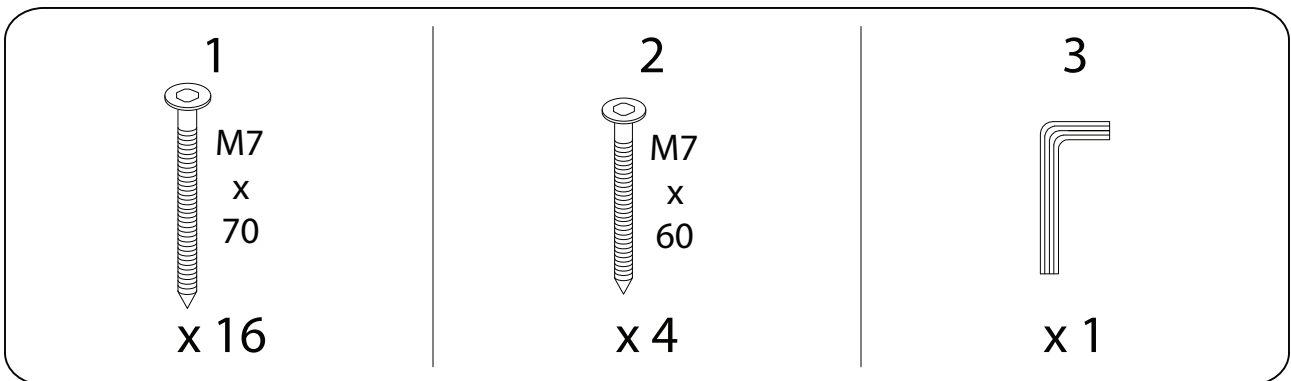
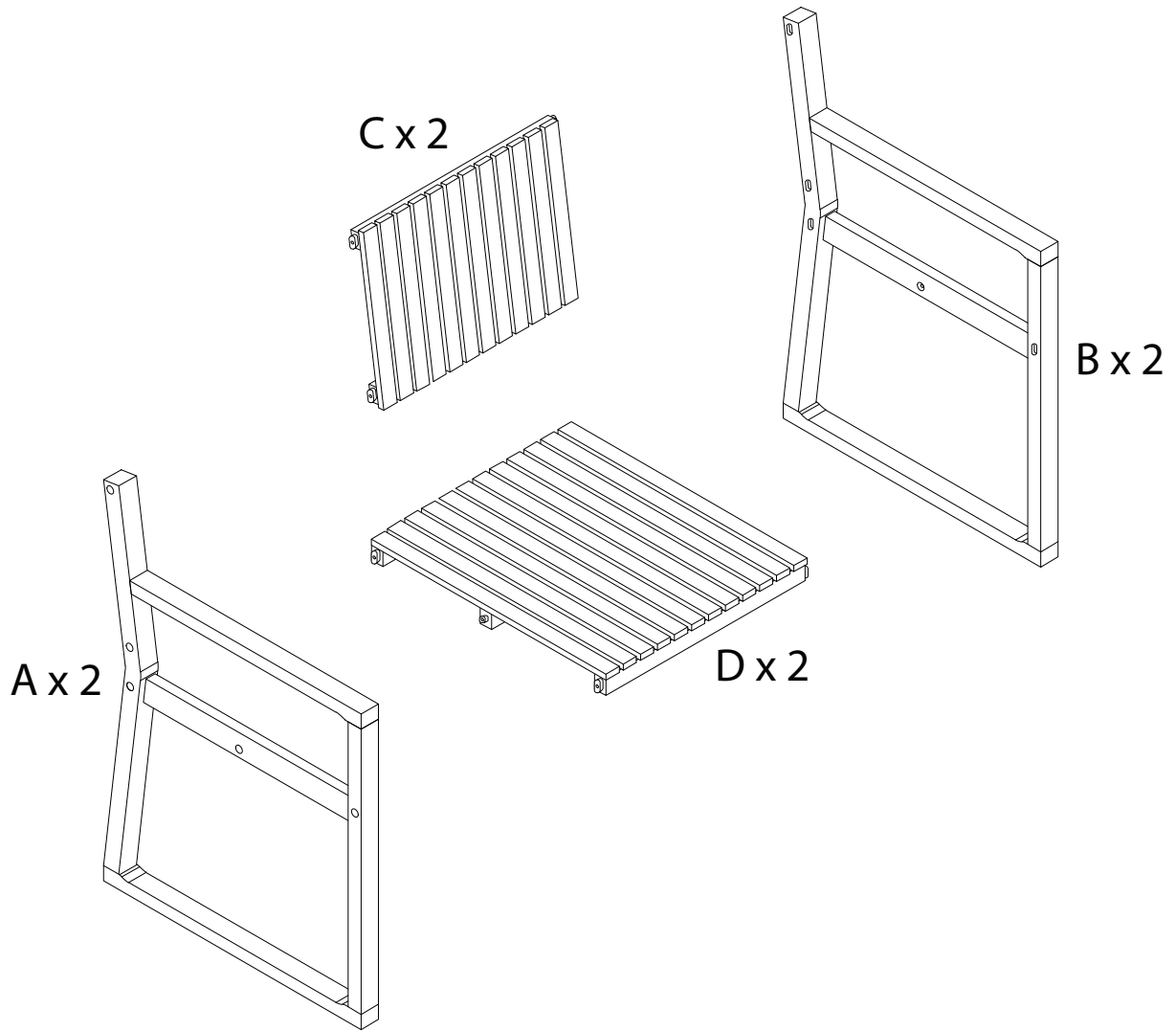
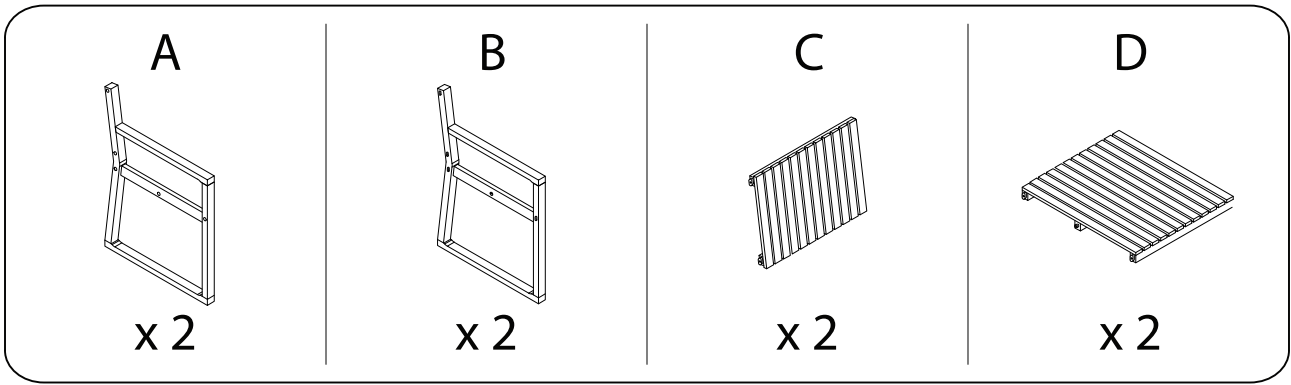




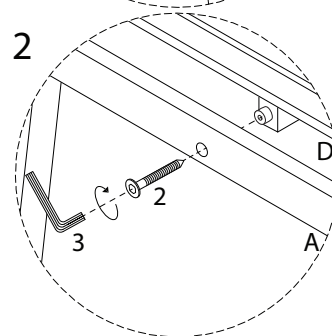
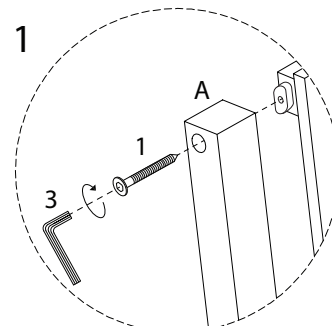
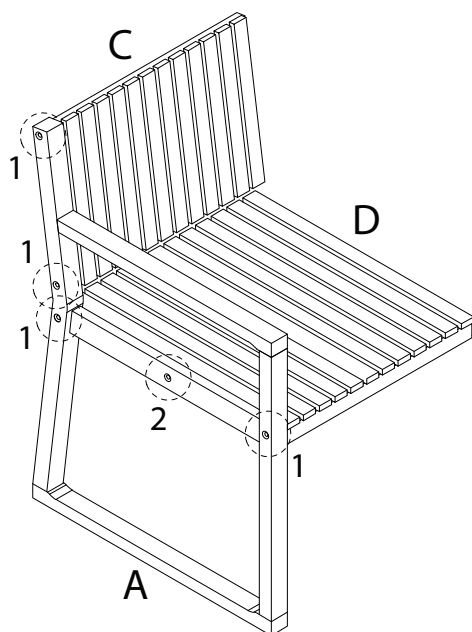
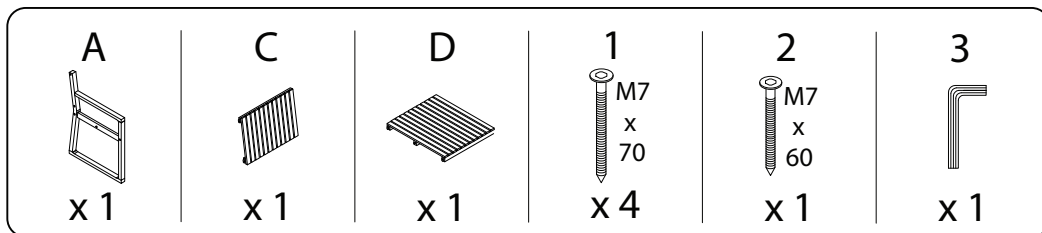
15'



2



1 x 2



2 x 2

