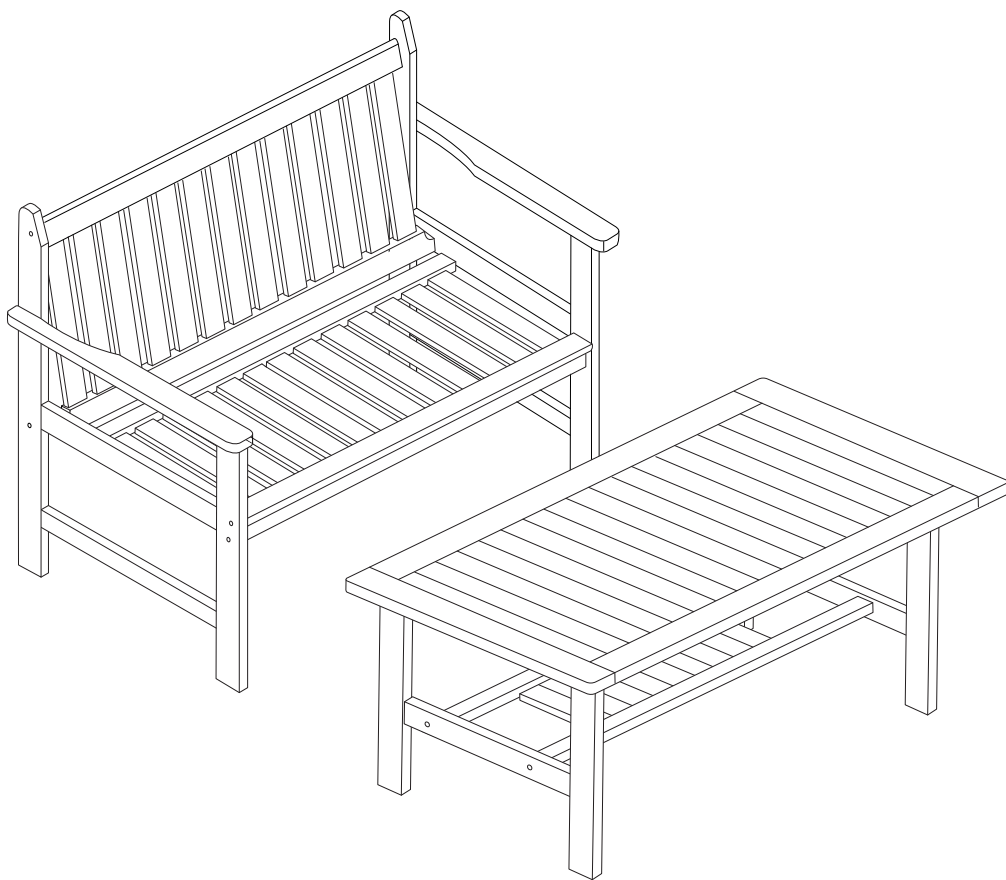


ALTIDONA



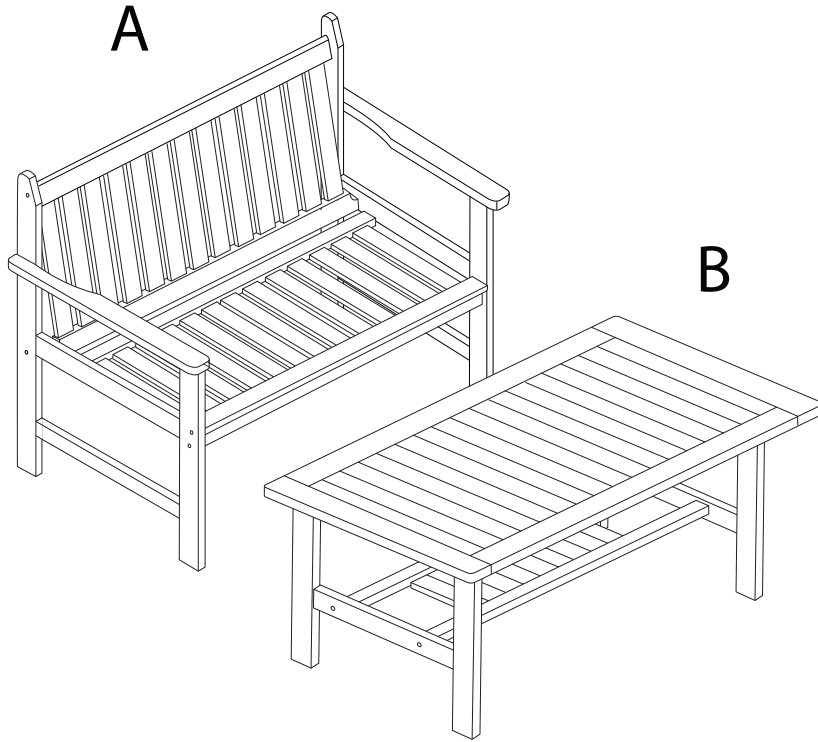
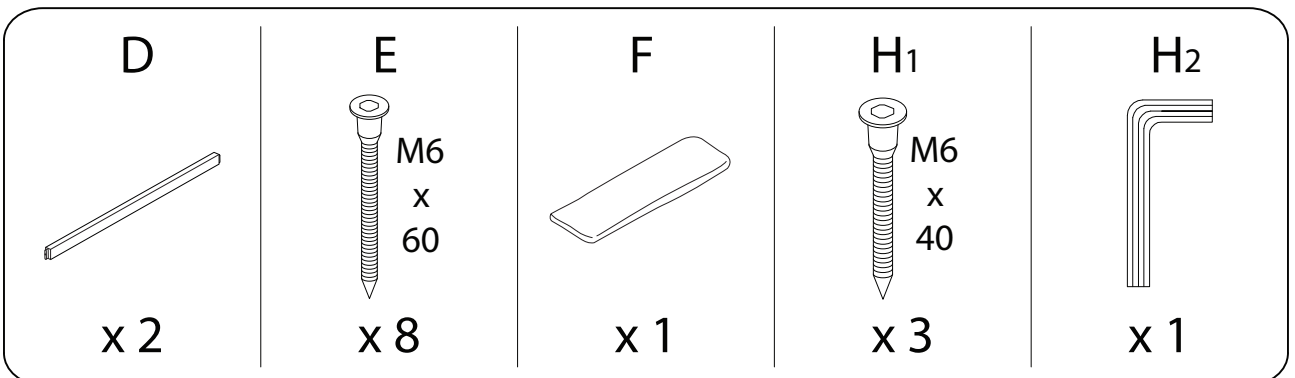
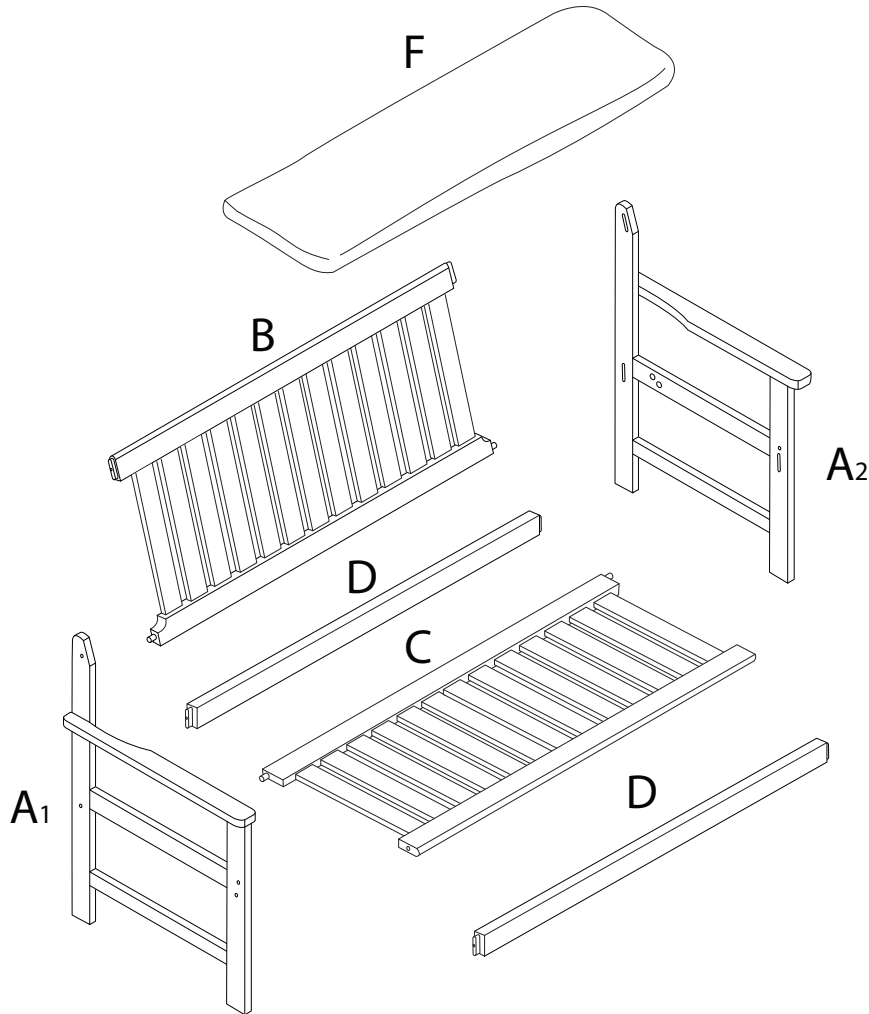
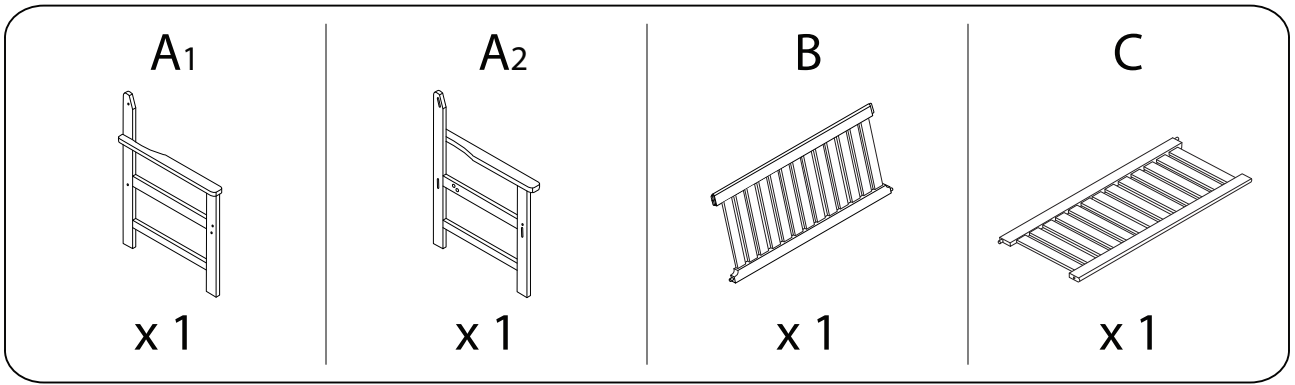


Diagram illustrating assembly instructions and safety warnings:

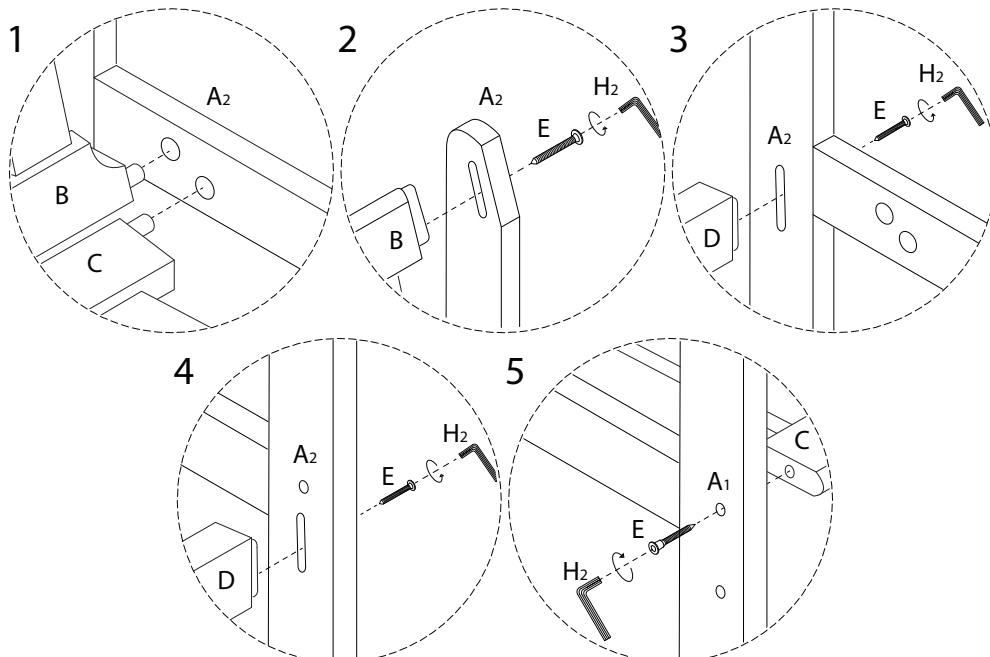
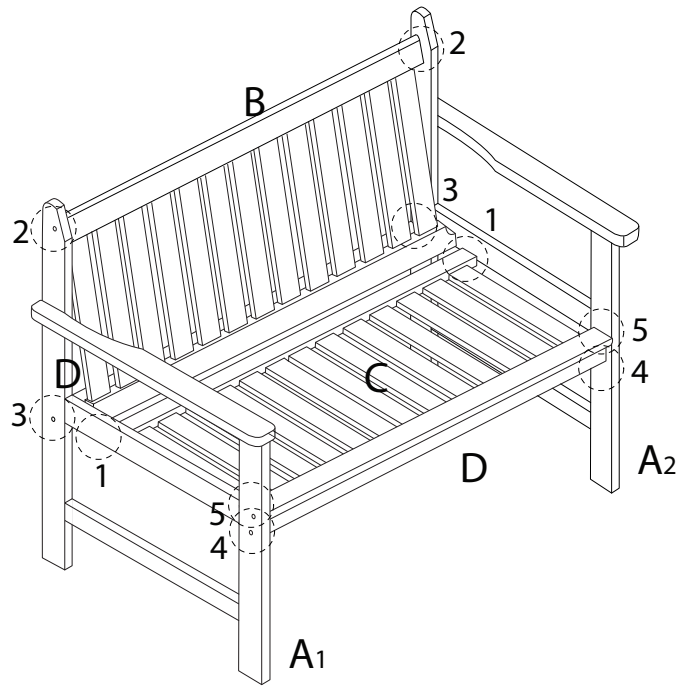
- Warning 1:** A warning triangle with an exclamation mark is shown next to a circular inset containing an L-shaped metal bracket and a crossed-out power drill icon, indicating that a power drill should not be used for this step.
- Warning 2:** A second warning triangle with an exclamation mark is shown next to a circular inset containing a rectangular block being placed on a surface, with a crossed-out icon below it showing the block being placed on a sharp edge, indicating that the block should be placed on a flat surface.
- Time:** A clock icon is shown next to the text "30'", indicating a 30-minute assembly time.
- Personnel:** An icon of a person is shown next to the number "2", indicating that two people are required for assembly.

A

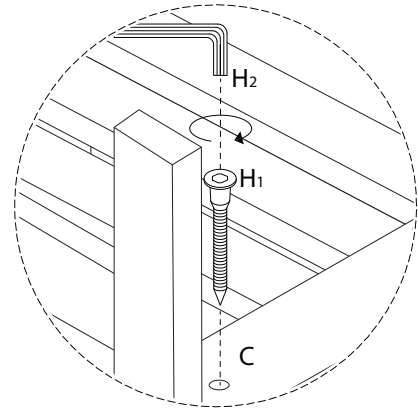
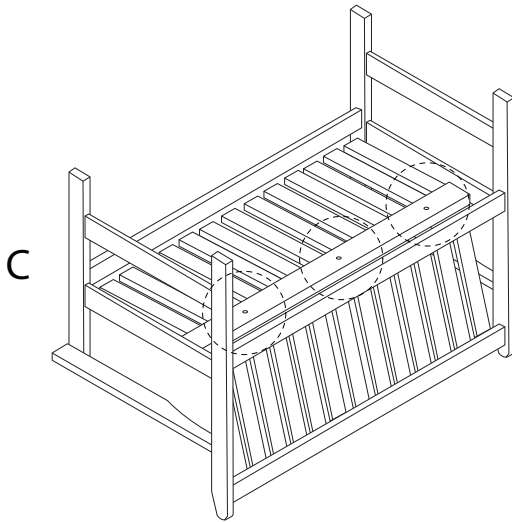
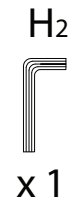
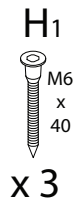


1

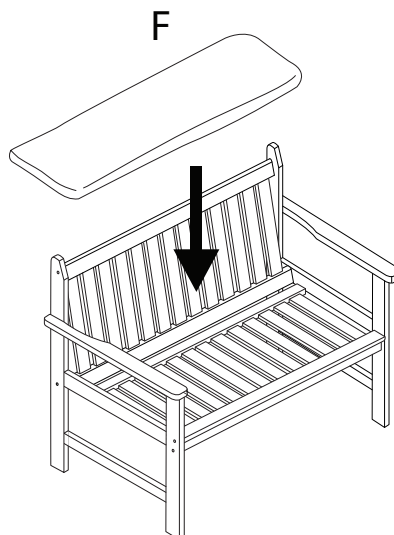
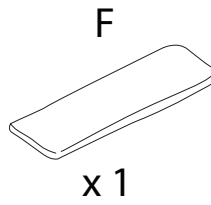
A1 x 1	A2 x 1	B x 1	C x 1	D x 2	E x 8	H2 x 1
----------------------	----------------------	---------------------	---------------------	---------------------	---------------------	----------------------



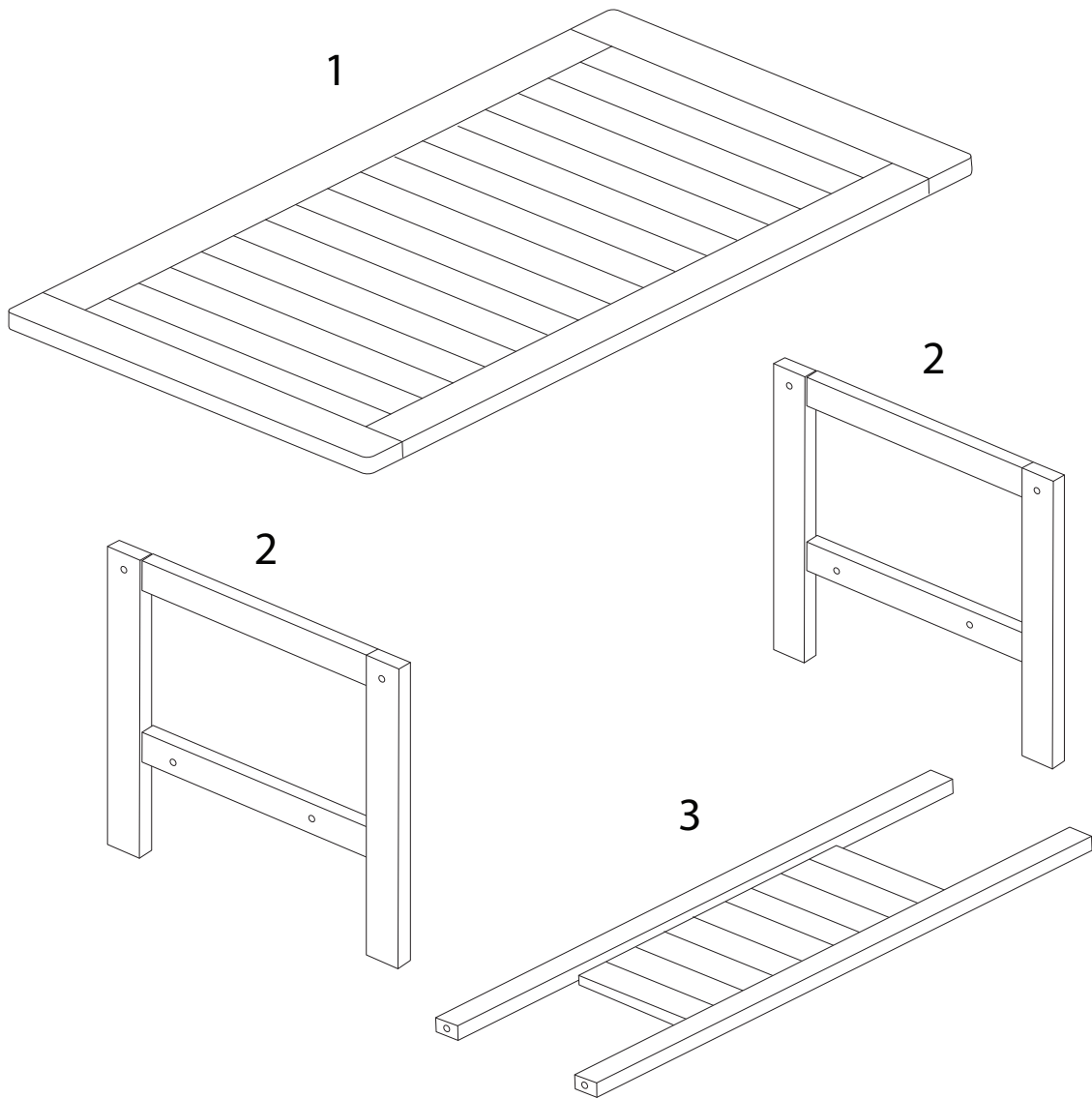
2



3



B



1	2	3	E	H2
x 1	x 2	x 1	x 8	x 1

1

