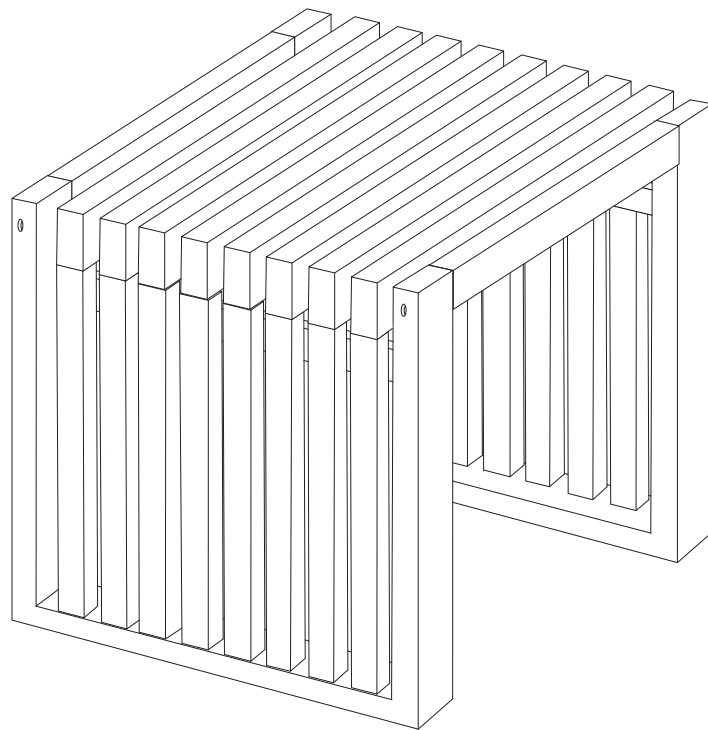
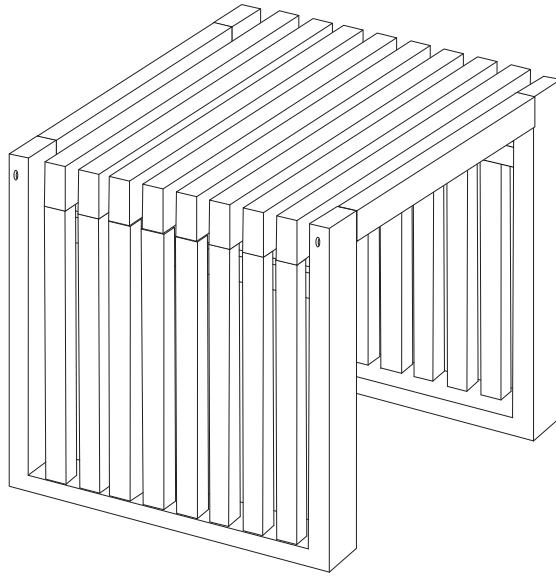
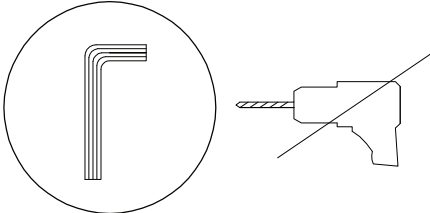

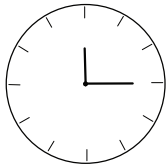
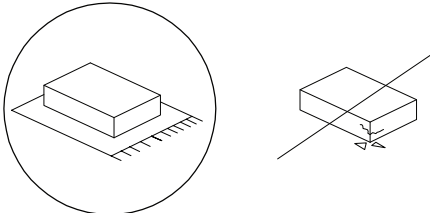

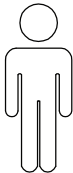
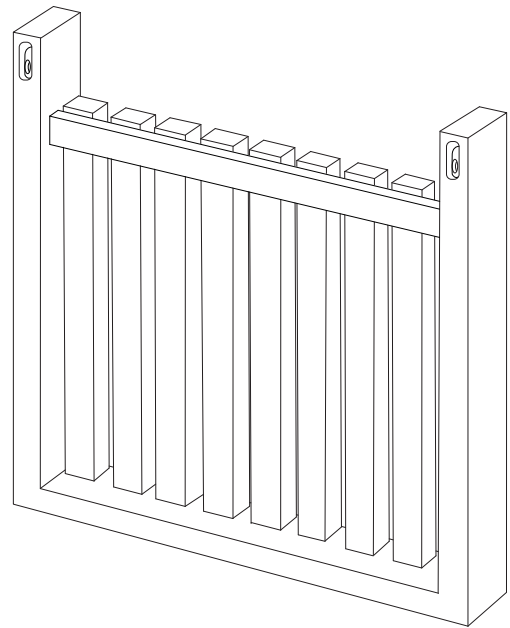
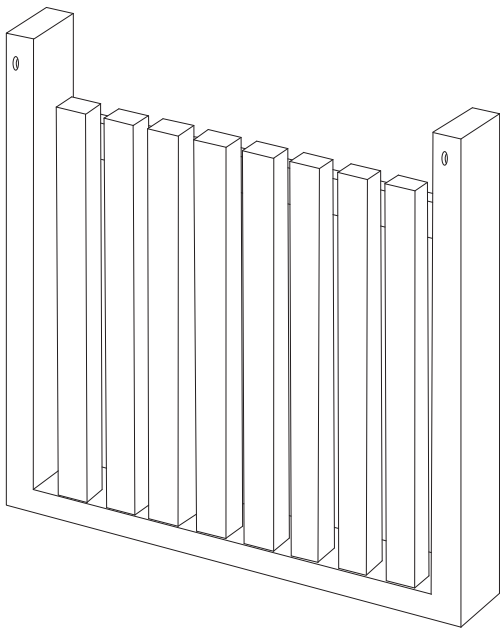
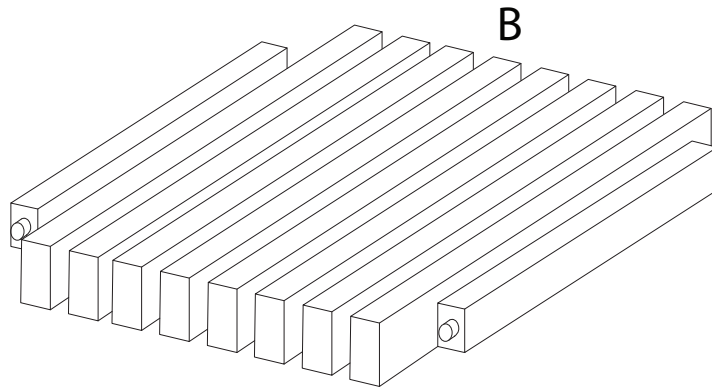


BELLANO

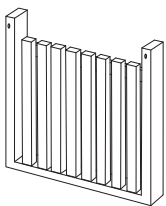




| | | |
|---|---|---|
|  |  |  |
|  |  |  |
| | | 15' |
| | | 1 |

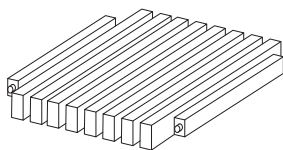


A



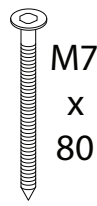
x 2

B



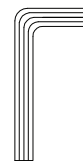
x 1

1



x 4

2



x 1

1

