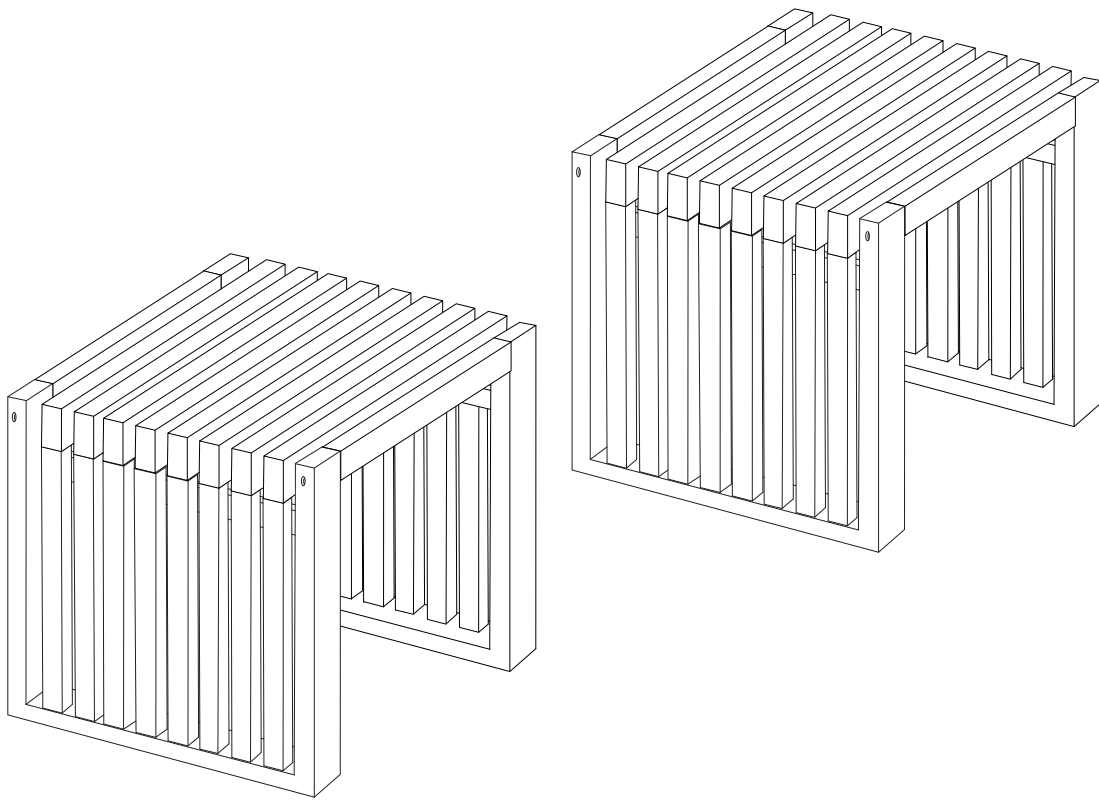
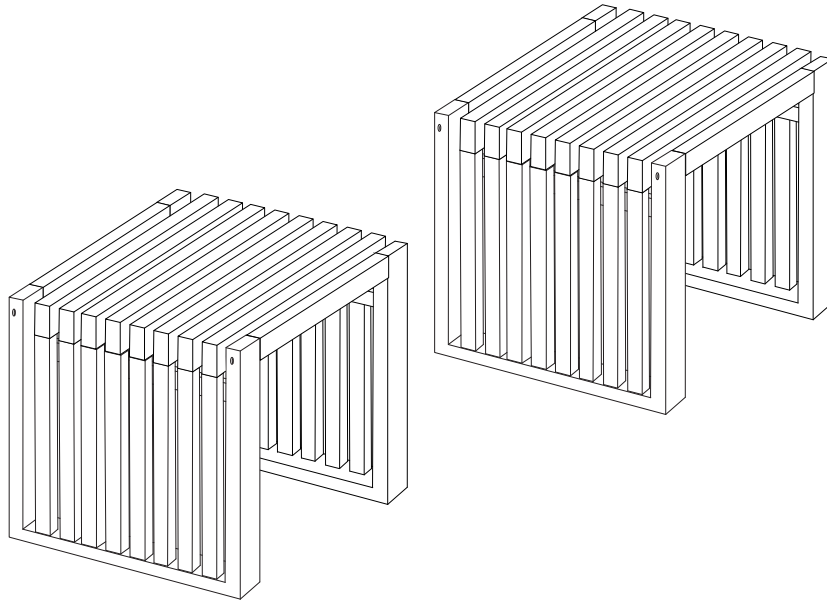
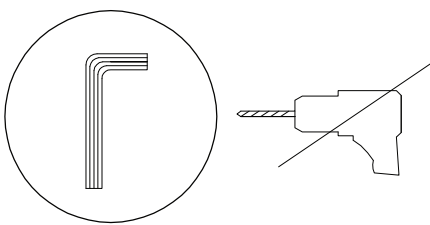
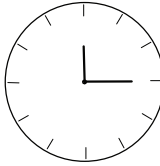
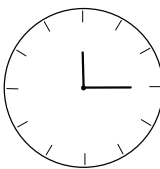
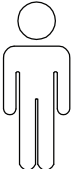
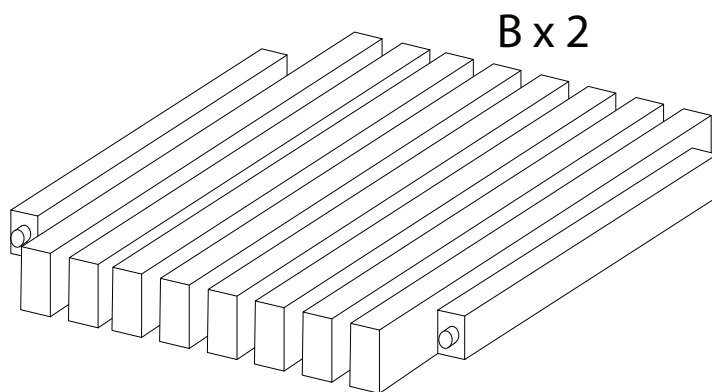


BELLANO

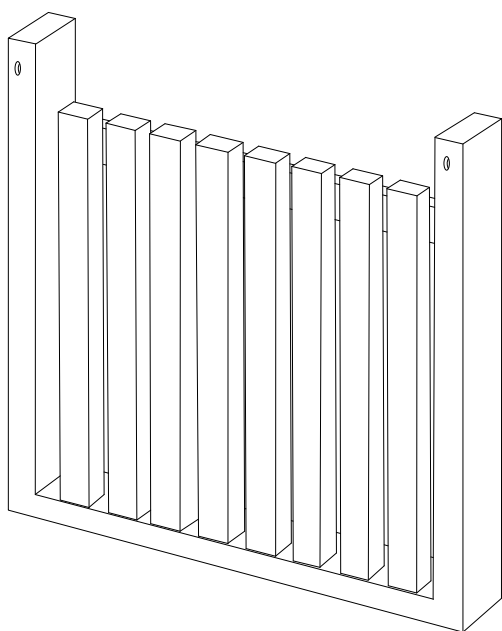




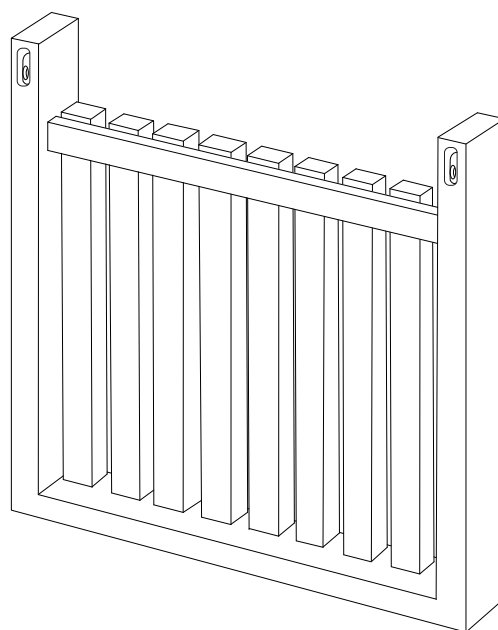
	
	

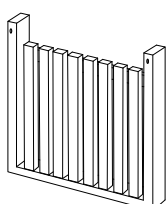
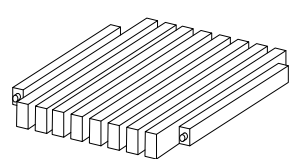
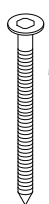
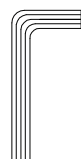


B x 2

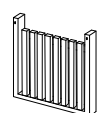
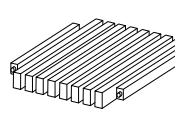
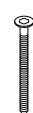



A x 4



<p>A</p>  <p>x 4</p>	<p>B</p>  <p>x 2</p>	<p>1</p>  <p>M7 x 80</p> <p>x 8</p>	<p>2</p>  <p>x 1</p>
---	---	--	---

1 x 2

<p>A</p>  <p>x 2</p>	<p>B</p>  <p>x 1</p>	<p>1</p>  <p>M7 x 80</p> <p>x 4</p>	<p>2</p>  <p>x 1</p>
---	---	---	---

