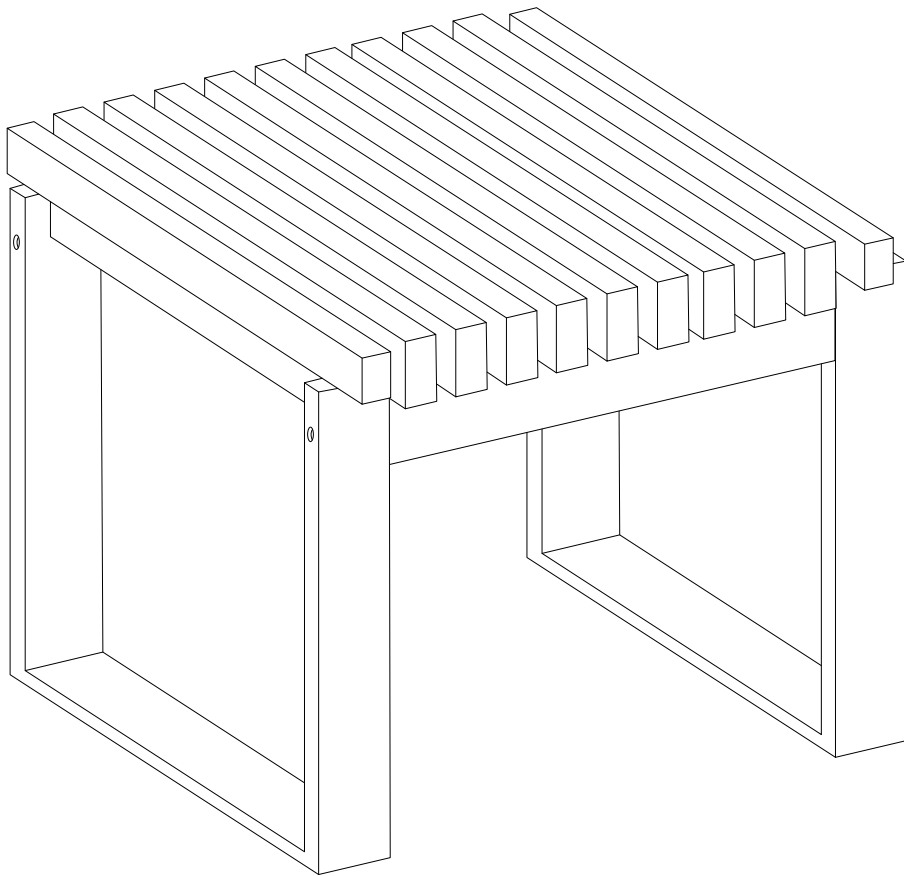
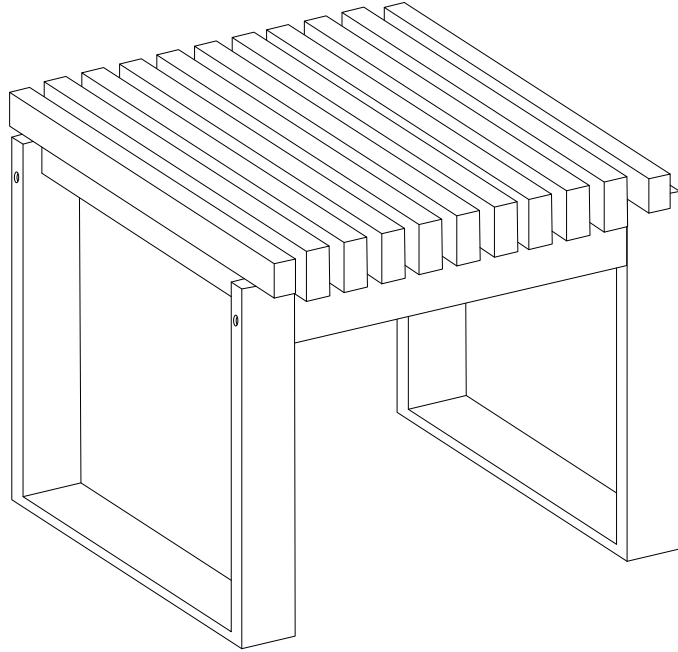


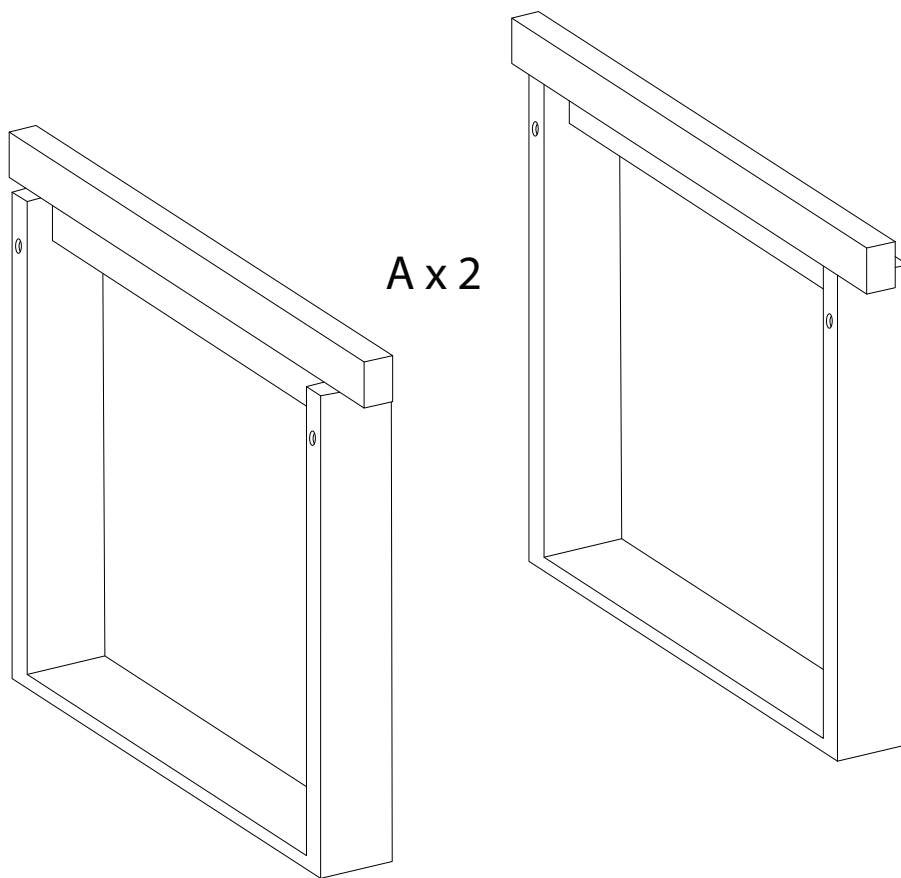
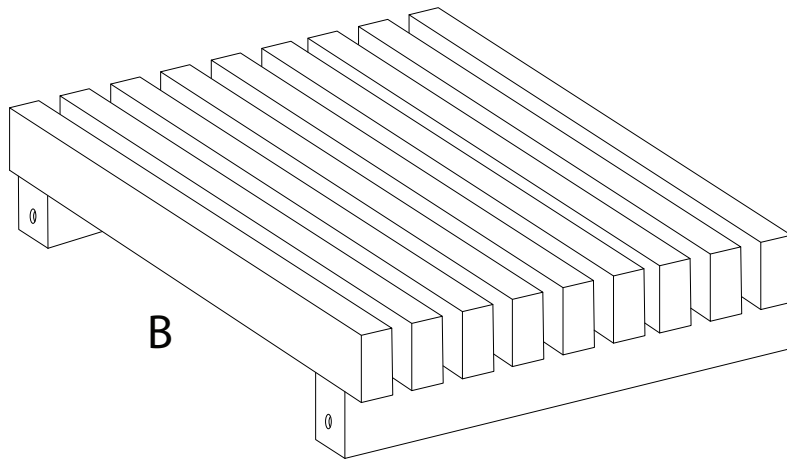
BELLANO





Assembly instructions for the table base:

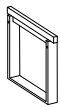
- Step 1:** A circular icon shows an L-shaped metal bracket. A crossed-out power drill icon indicates that a power drill should not be used. A warning triangle with an exclamation mark is positioned to the right. A clock icon below indicates a time requirement of **15'**.
- Step 2:** A circular icon shows a rectangular metal plate being placed on a surface. A crossed-out icon shows the plate being secured with a screw. A warning triangle with an exclamation mark is positioned to the right. A person icon below indicates that **2** people are required.



<p>A</p>	<p>B</p>	<p>1</p> <p>M7 x 80</p>	<p>2</p>
<p>x 2</p>	<p>x 1</p>	<p>x 4</p>	<p>x 1</p>

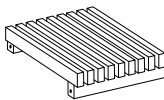
1

A



x 2

B



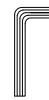
x 1

1



x 4

2



x 1

