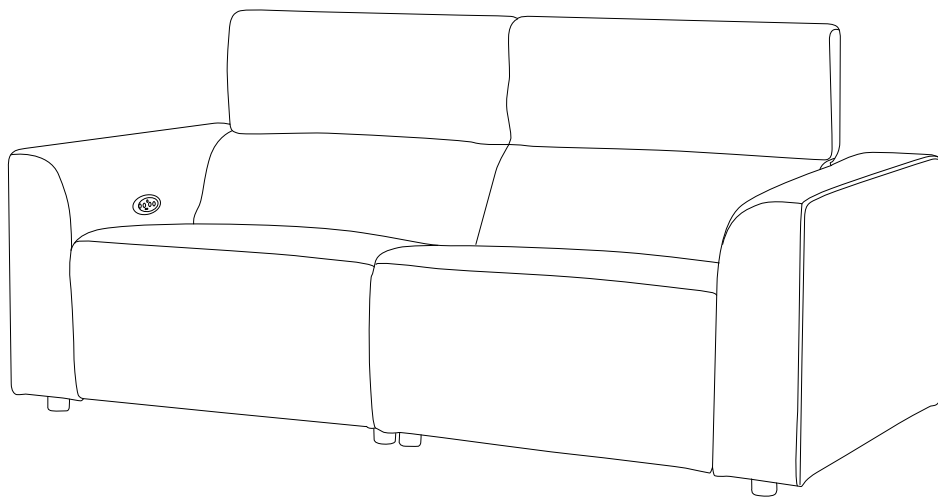
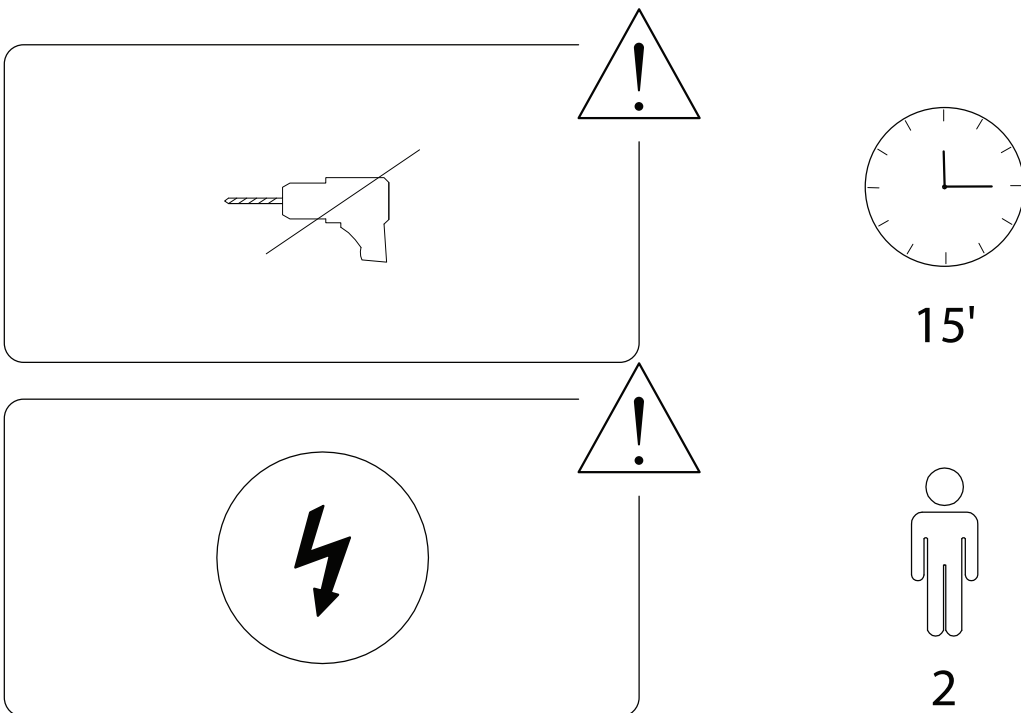
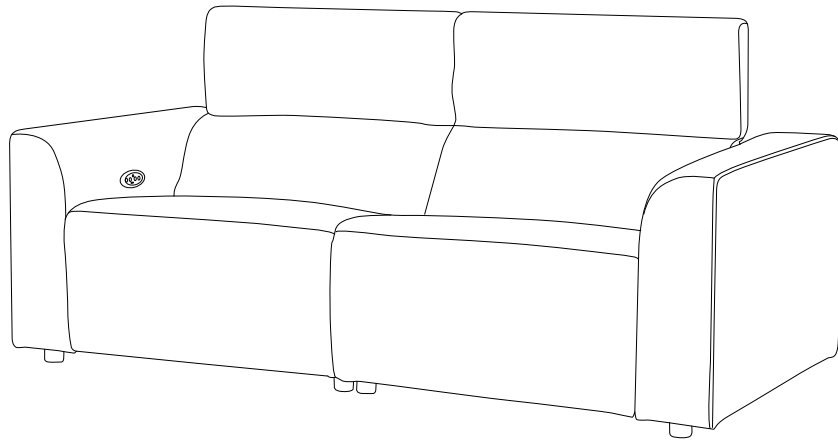
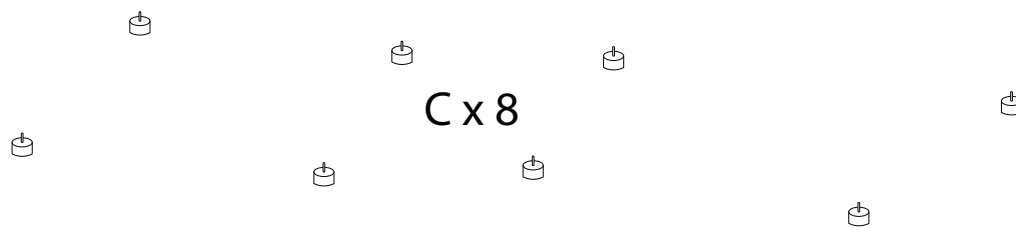
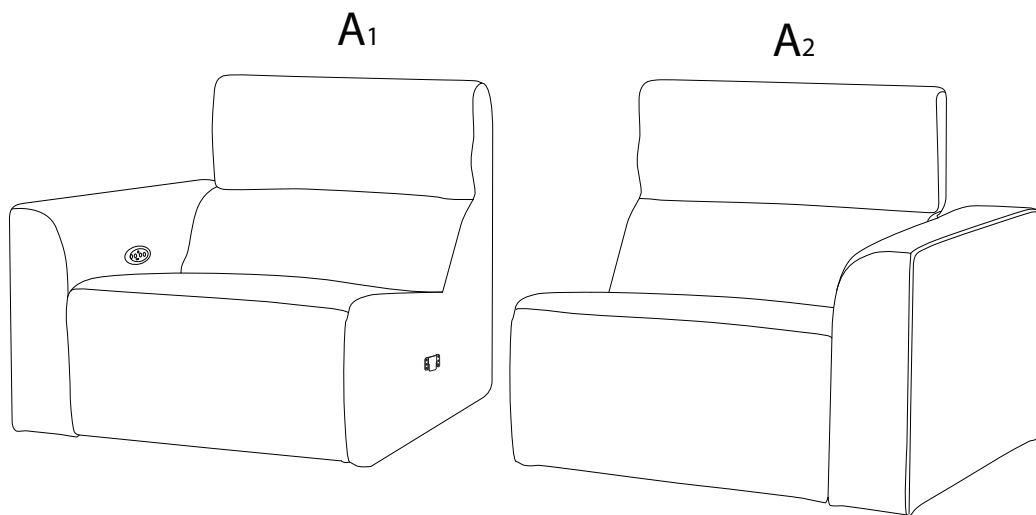
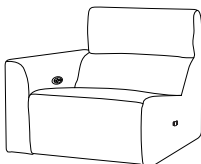
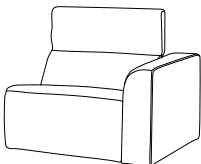
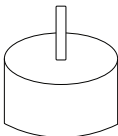
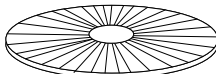



ULVEN

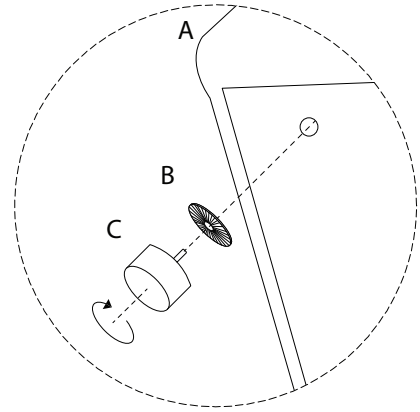
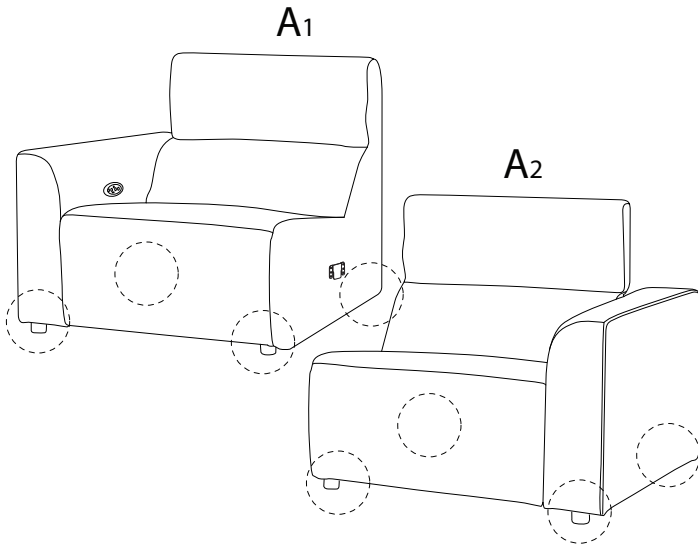
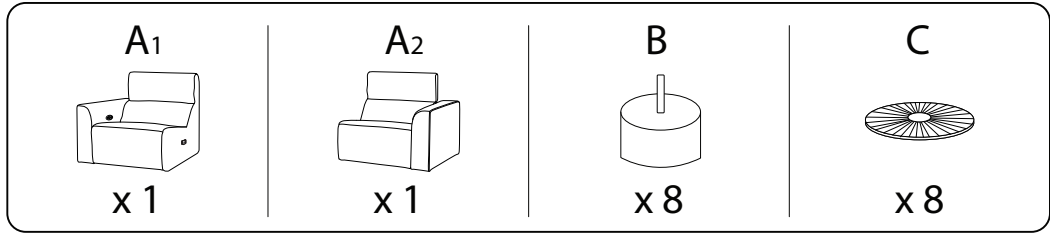




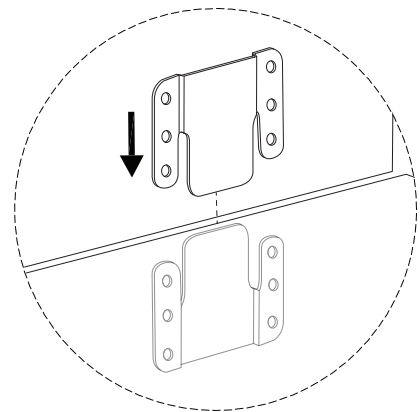
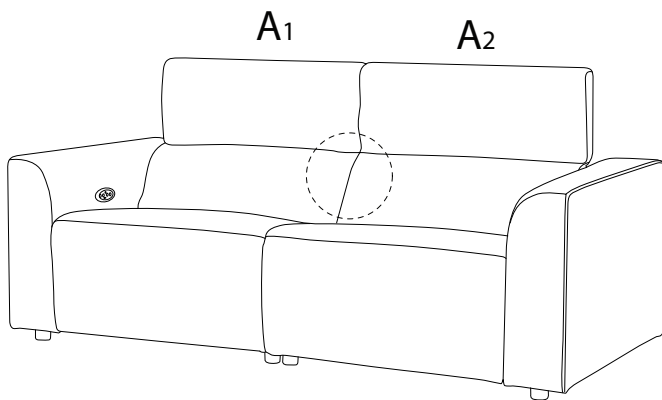


A ₁	A ₂	B	C	D
				
x 1	x 1	x 8	x 8	x 1

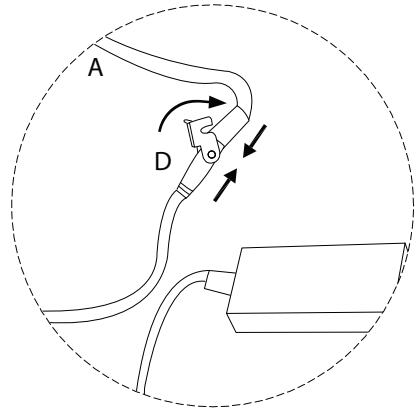
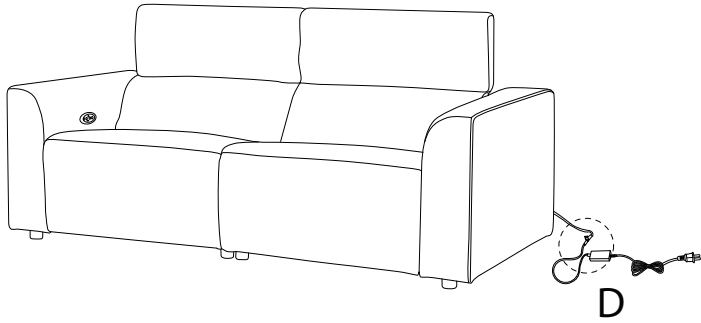
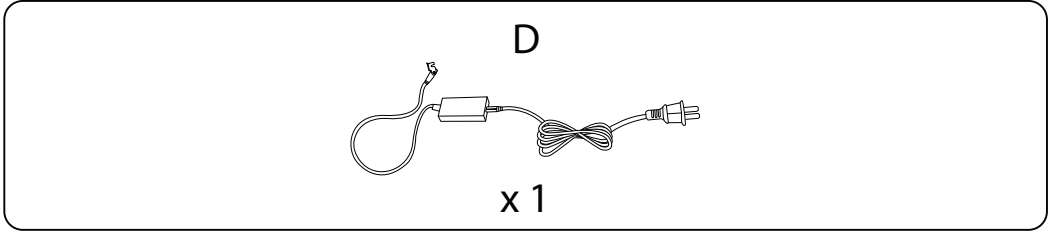
1



2



3



!

