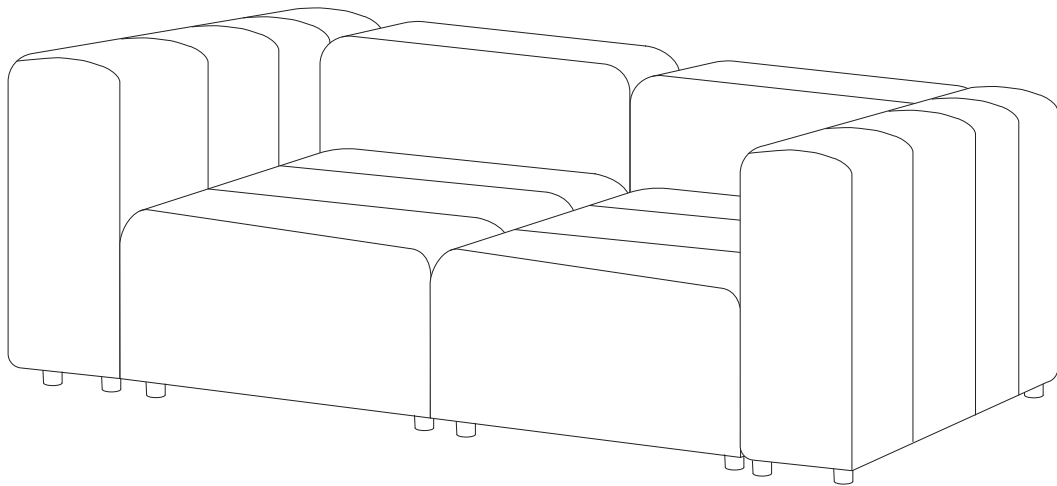
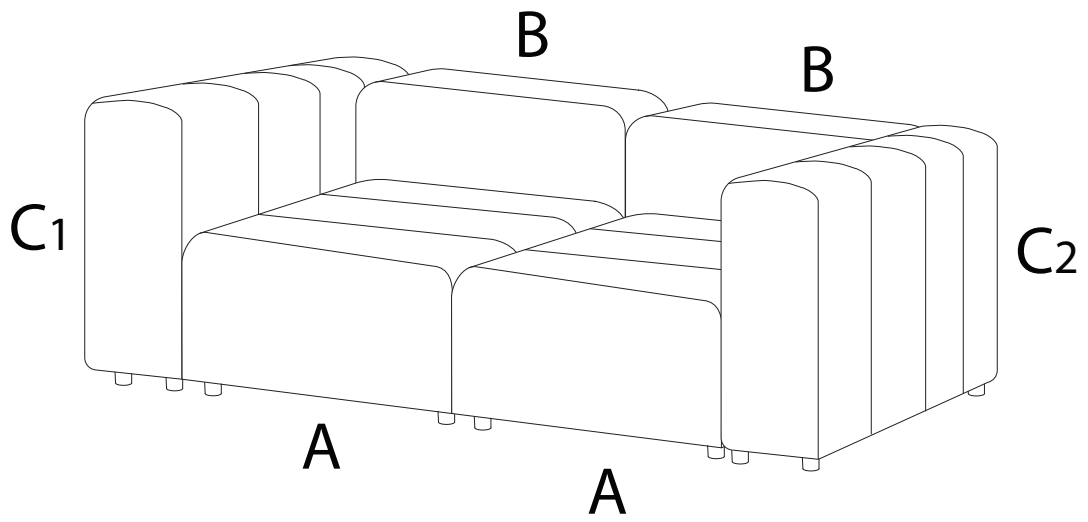

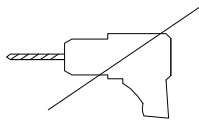
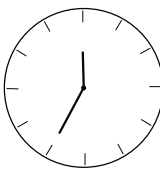

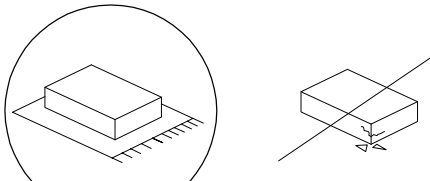
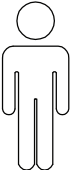


FALSTERBO

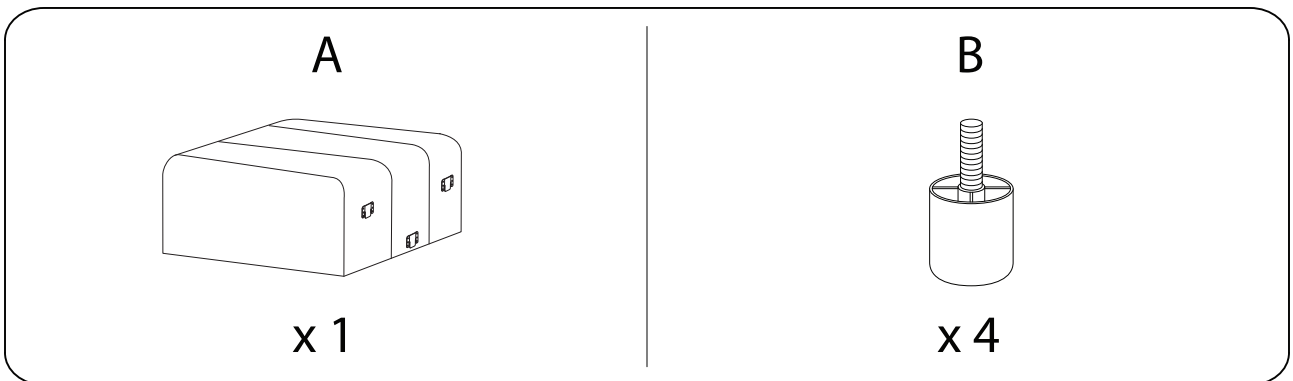
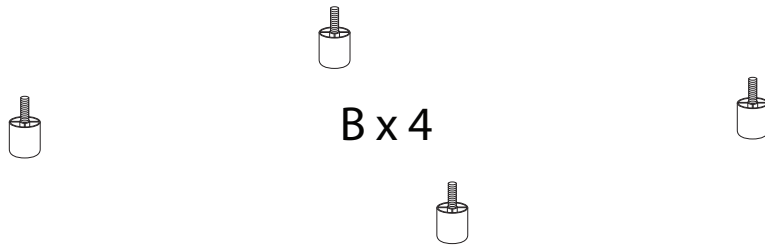
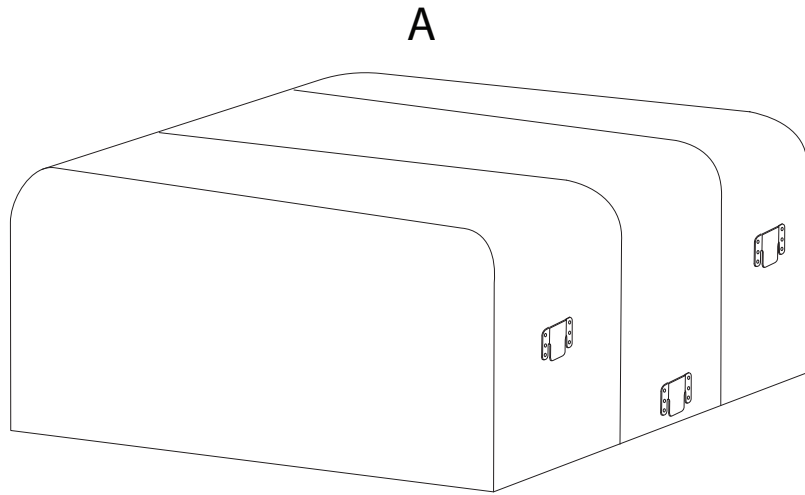




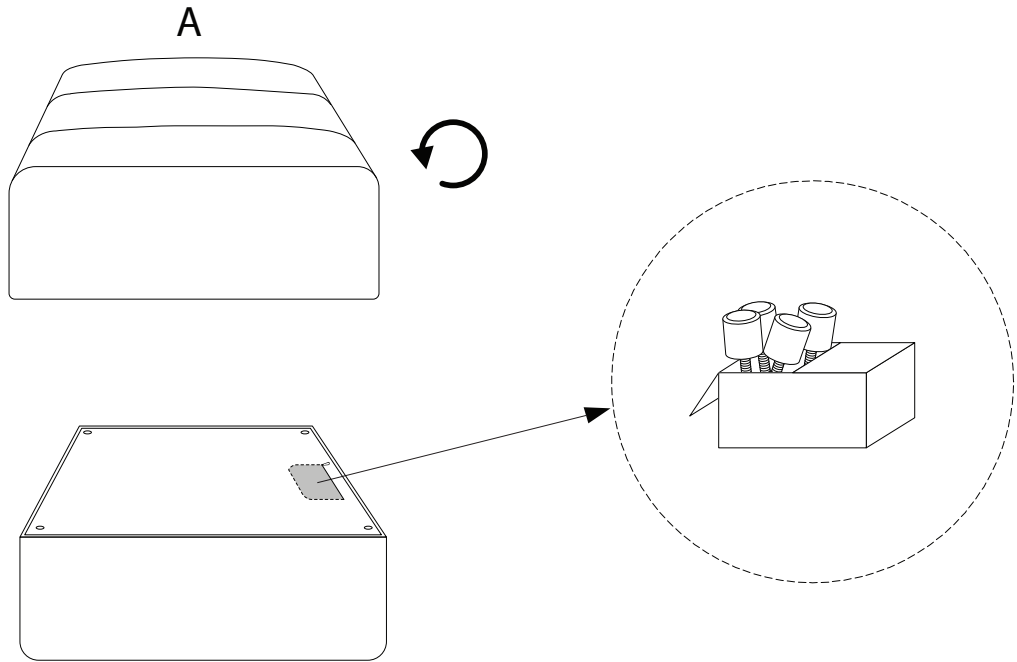
Warning icons and instructions:

- 
- 
- 
35'
- 
- 
- 
1

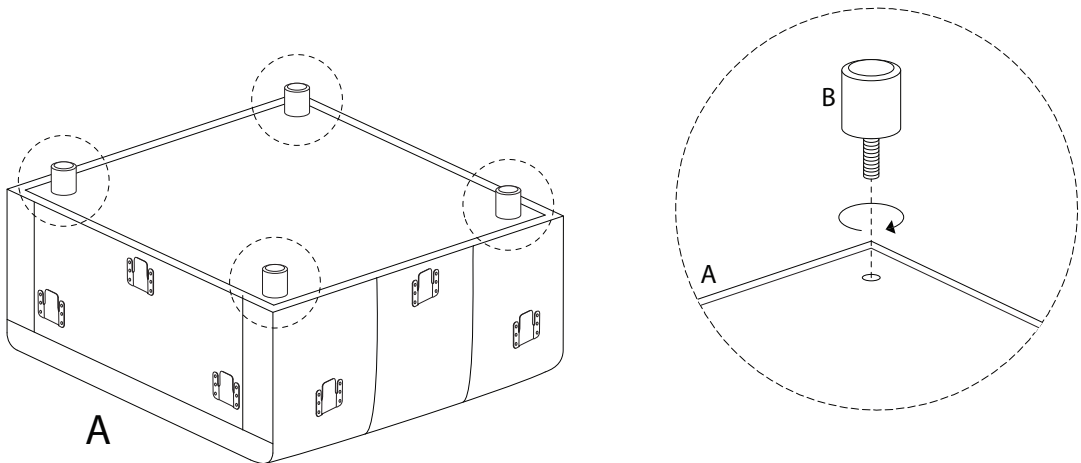
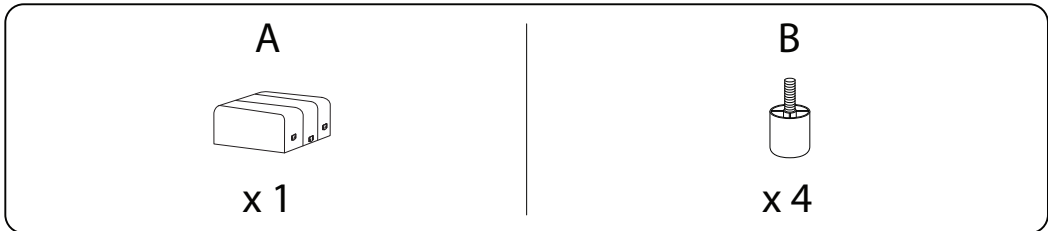
A



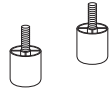
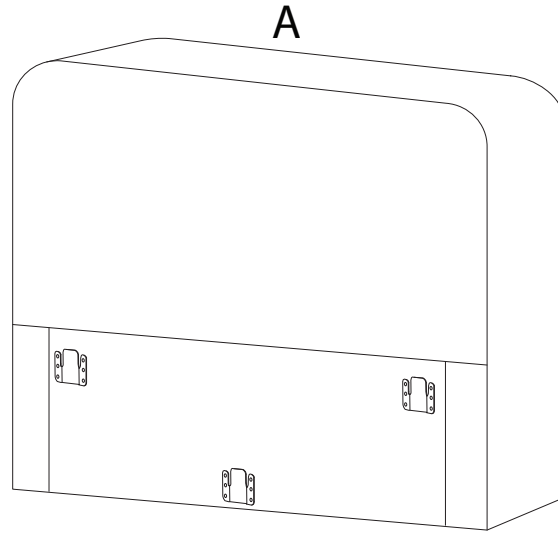
!



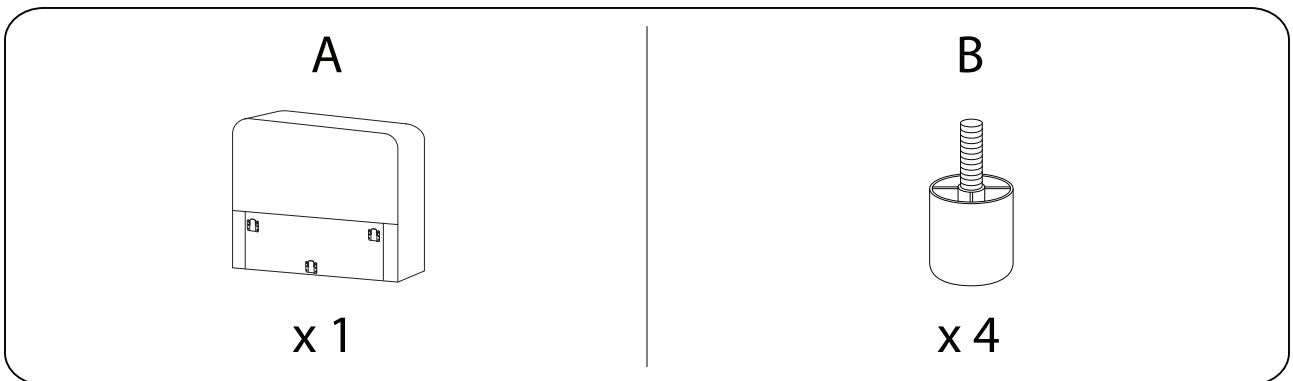
1



B

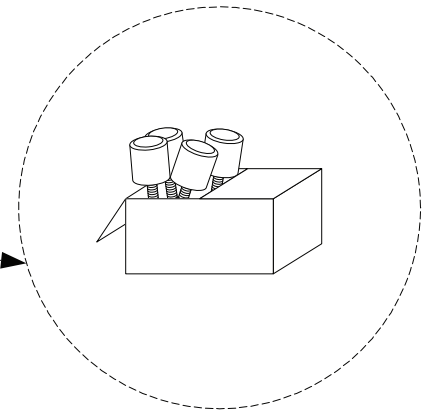
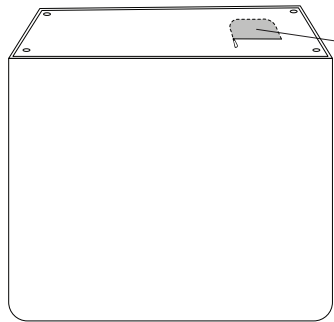
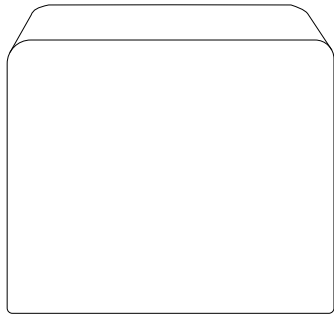


B x 4



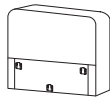
!

A



1

A

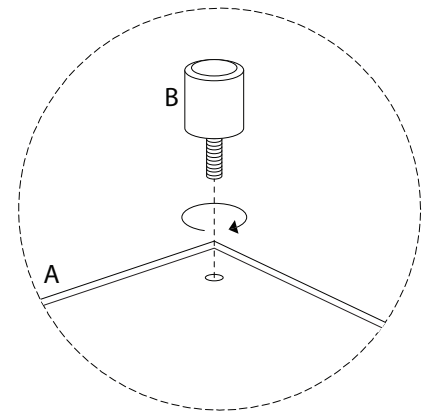
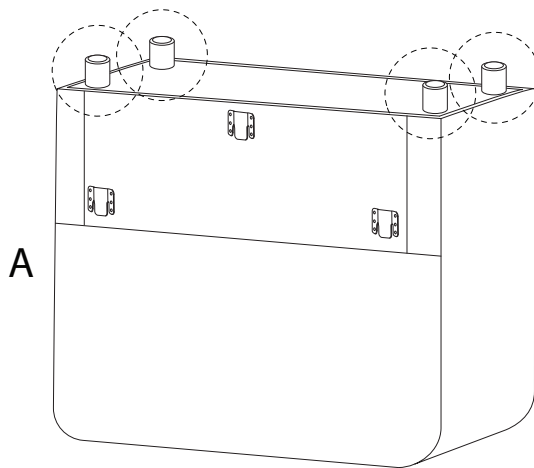


x 1

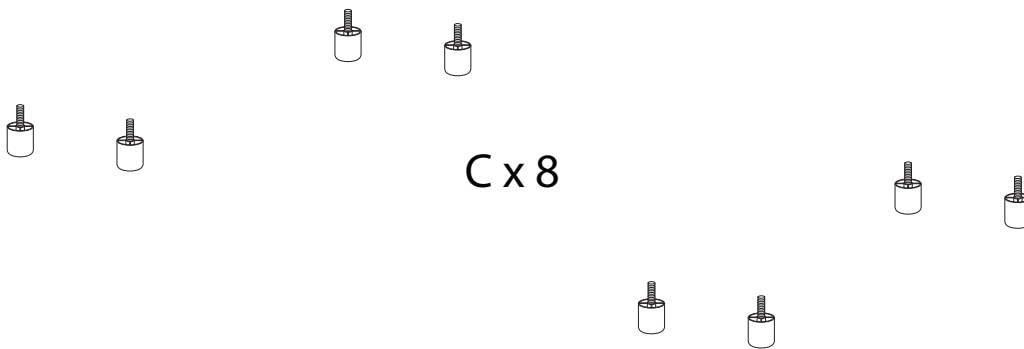
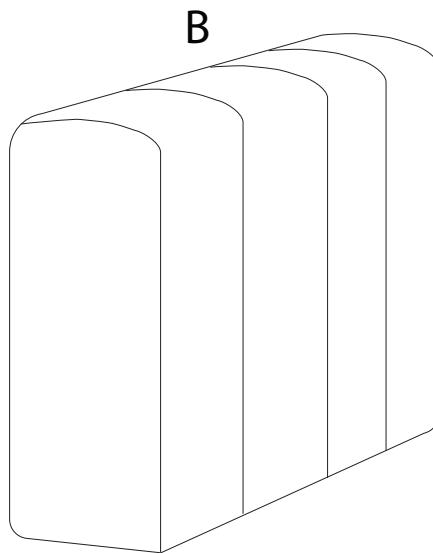
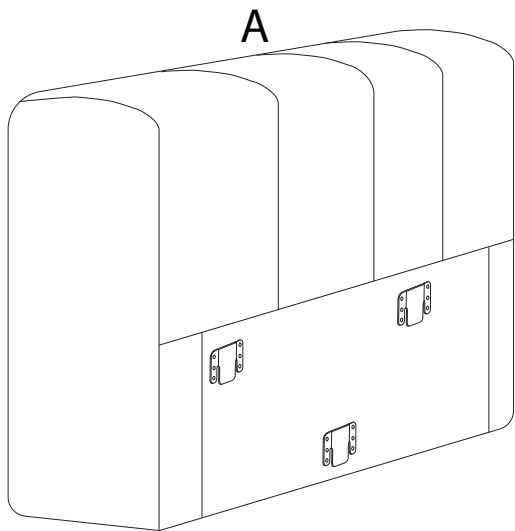
B

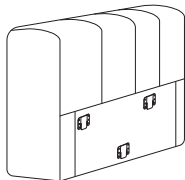
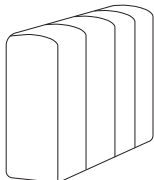
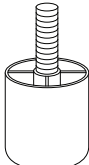


x 4



C

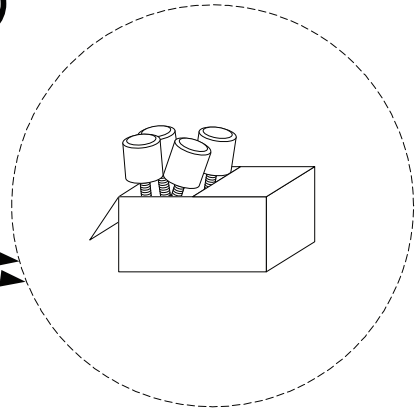
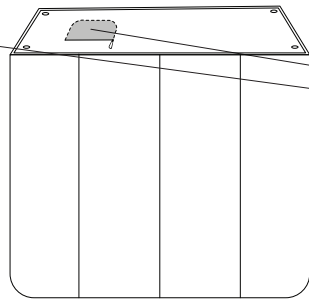
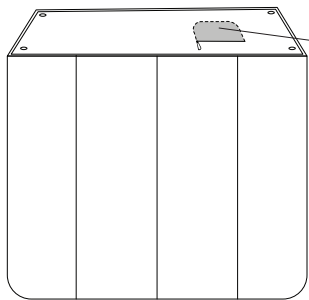
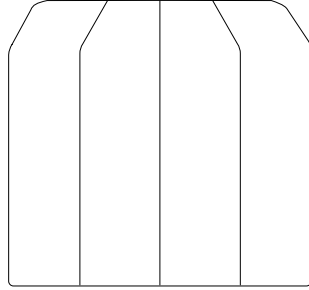
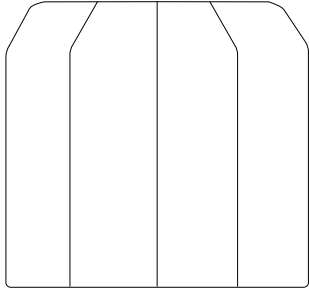


<p>A</p>  <p>x 1</p>	<p>B</p>  <p>x 1</p>	<p>C</p>  <p>x 8</p>
---	---	---

!

A

B

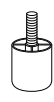
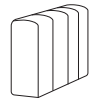
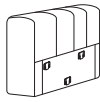


1

A

B

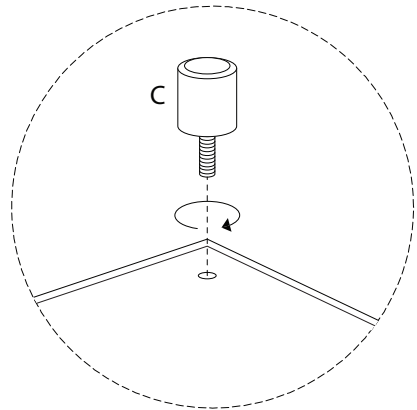
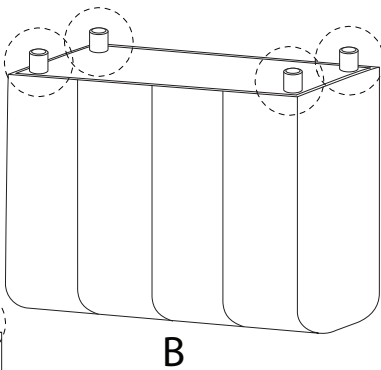
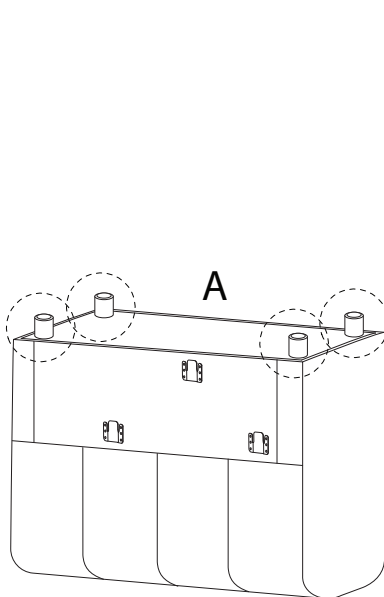
C



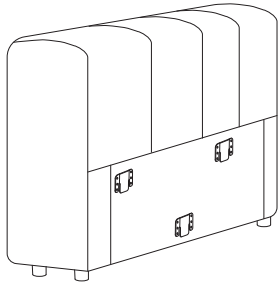
x 1

x 1

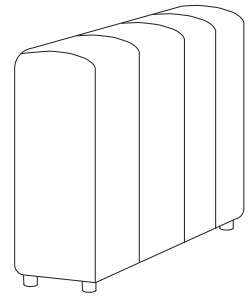
x 8



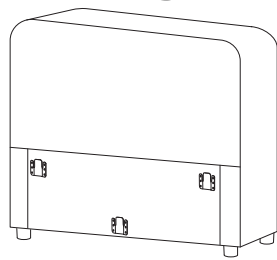
C1



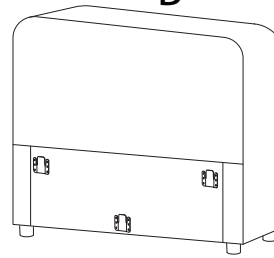
C2



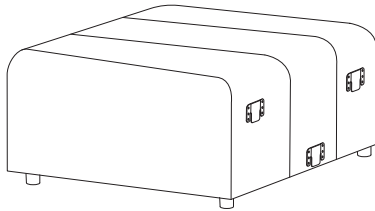
B



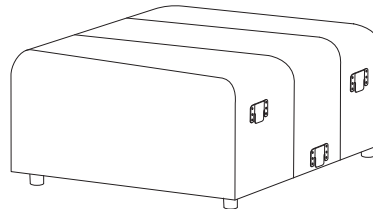
B



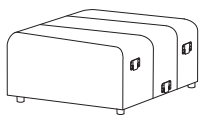
A



A

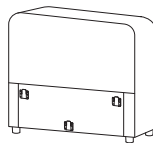


A



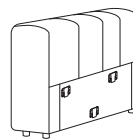
x 2

B



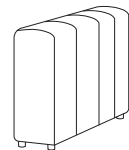
x 2

C1



x 1

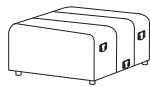
C2



x 1

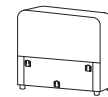
1 x 2

A

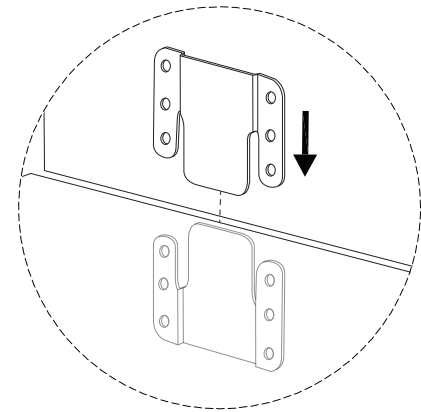
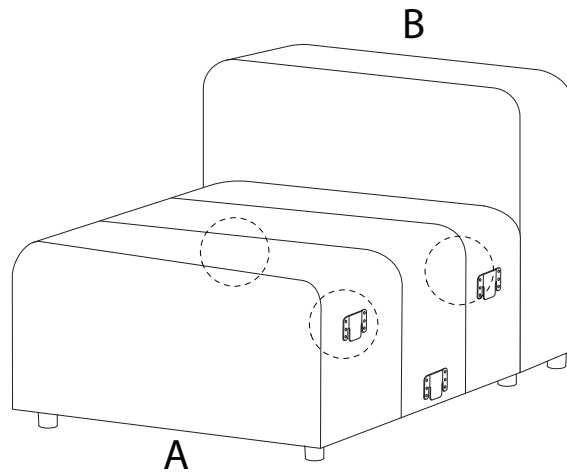


x 1

B



x 1



2

C₁

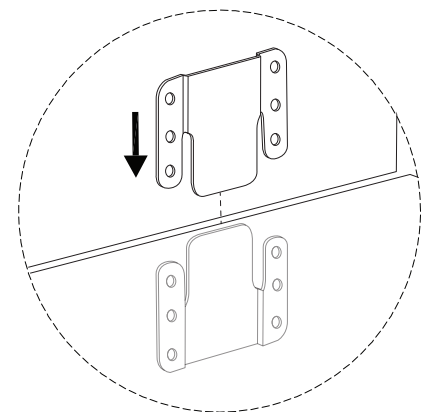
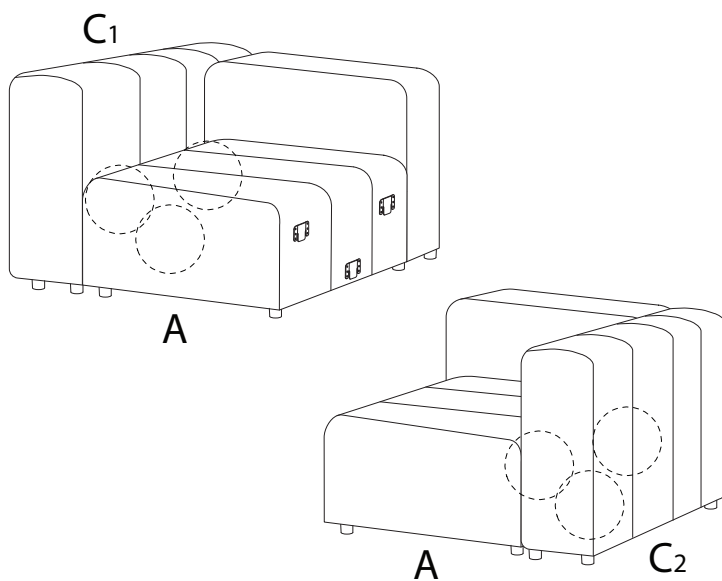


x 1

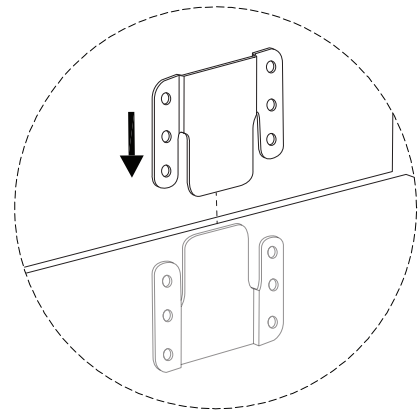
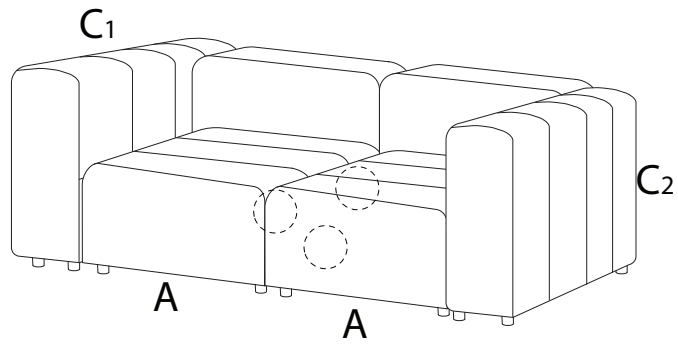
C₂



x 1



3



!

