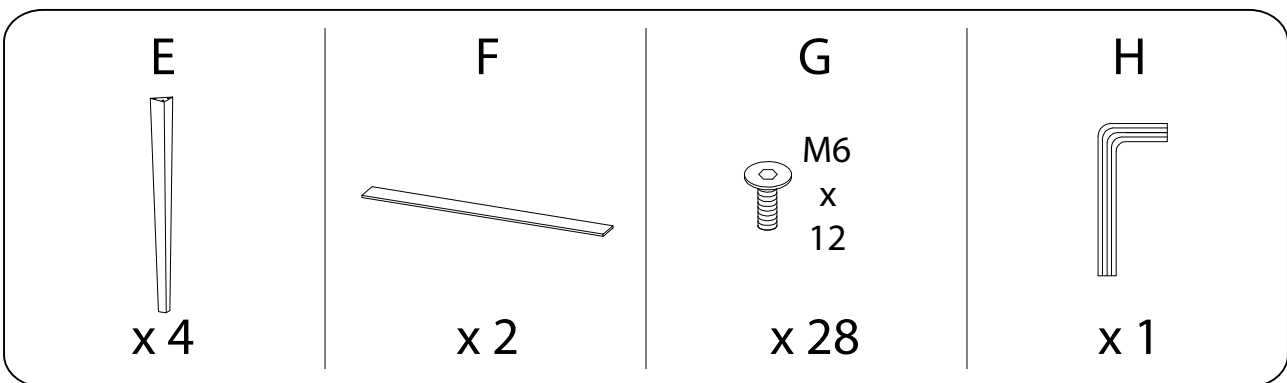
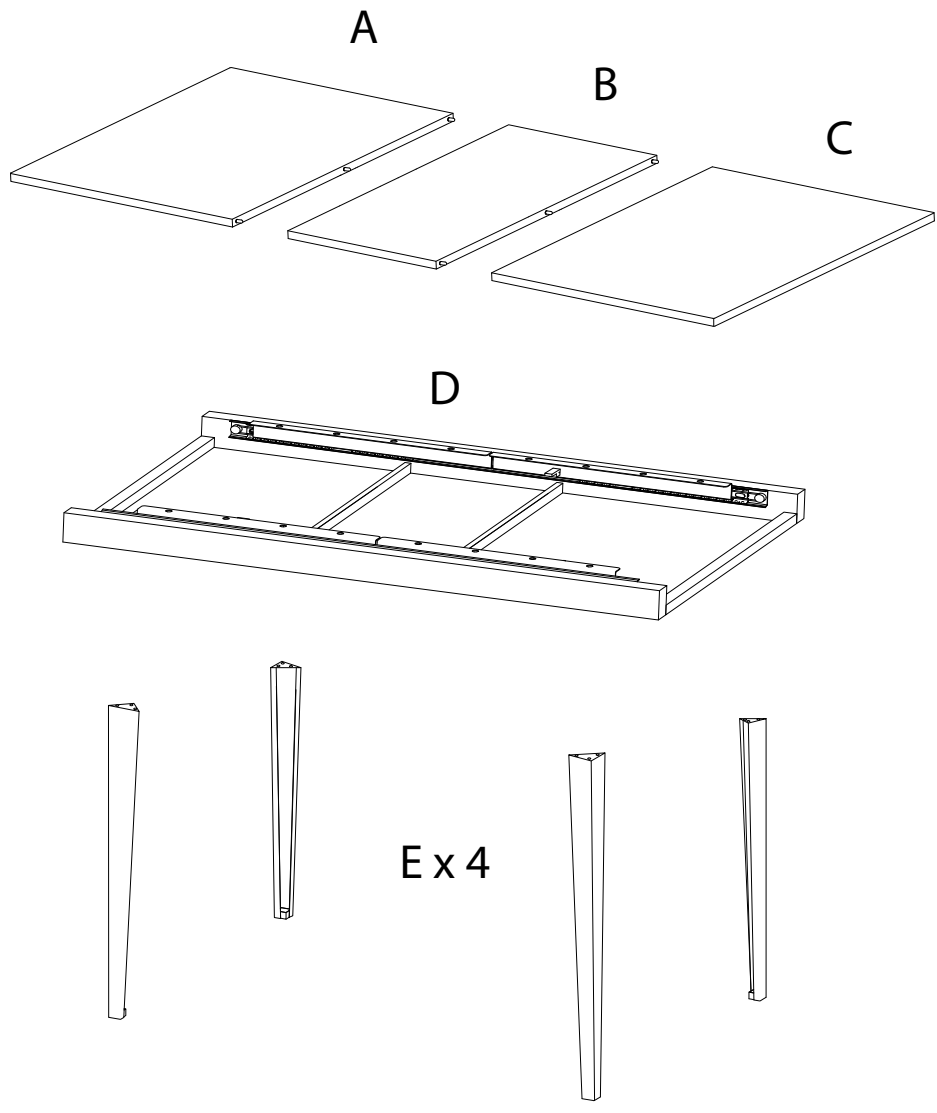
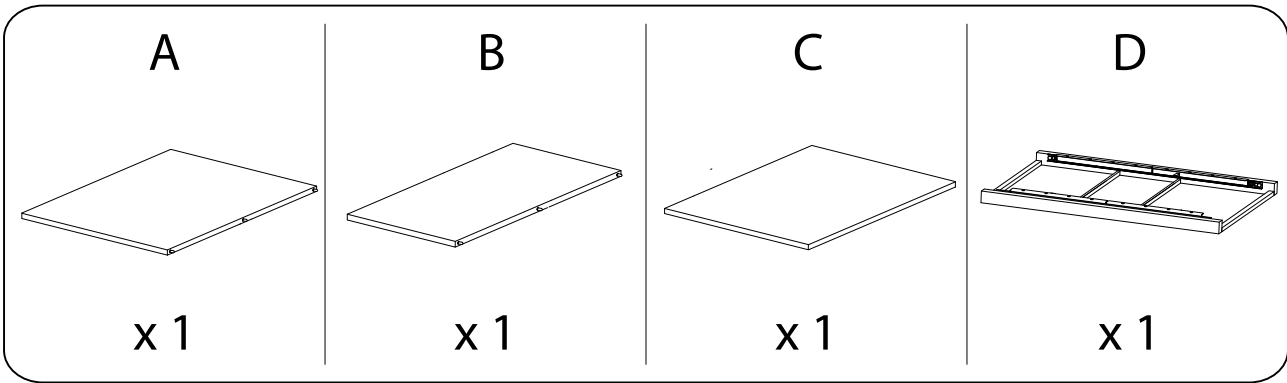
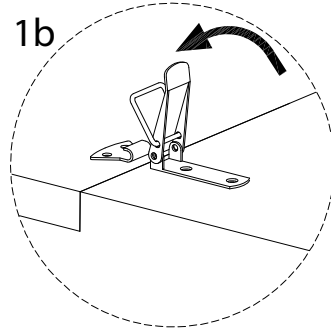
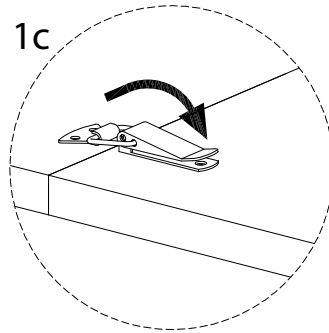
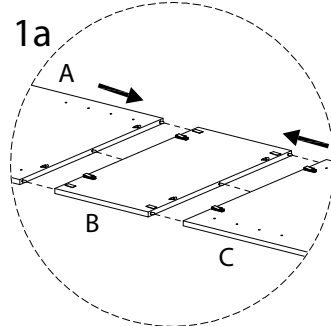
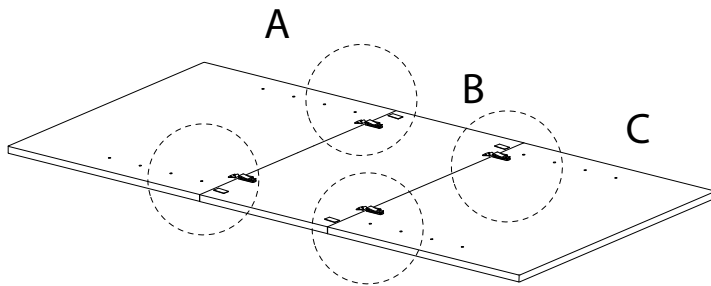
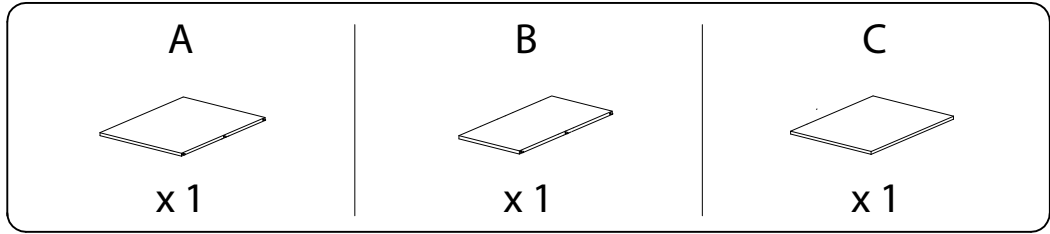


Diagram illustrating assembly instructions and safety warnings:

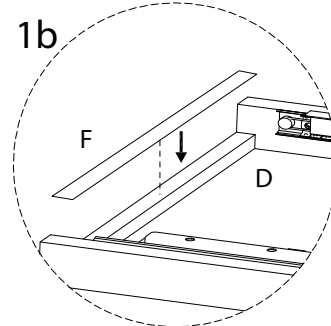
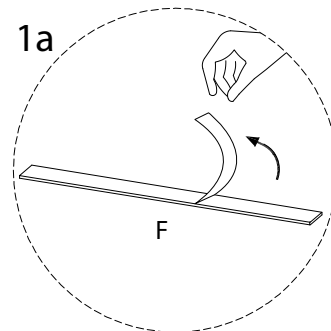
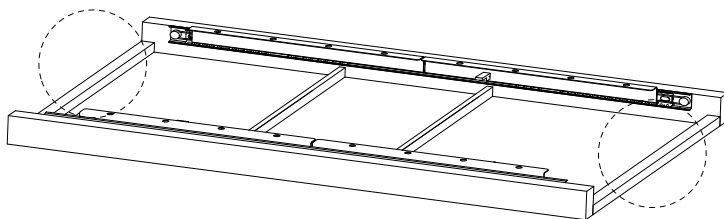
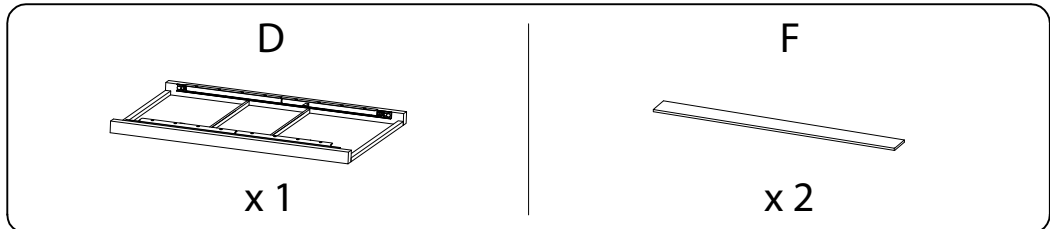
- Top Section:** Shows a circular icon with an L-shaped bracket and a crossed-out power drill icon, indicating that a power drill should not be used for this step. To the right is a warning triangle with an exclamation mark and a clock icon with the text "30'", indicating a 30-minute time limit.
- Bottom Section:** Shows a circular icon with a rectangular block being placed on a textured surface, and a crossed-out icon of the block being placed on a smooth surface, indicating that the block should be placed on a textured surface. To the right is a warning triangle with an exclamation mark and a person icon with the text "1", indicating that one person is required for this step.



1



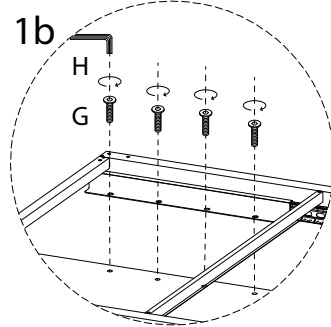
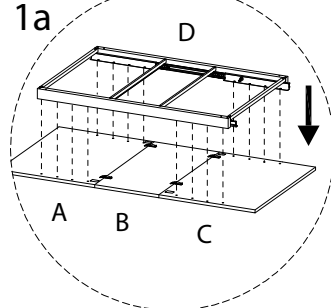
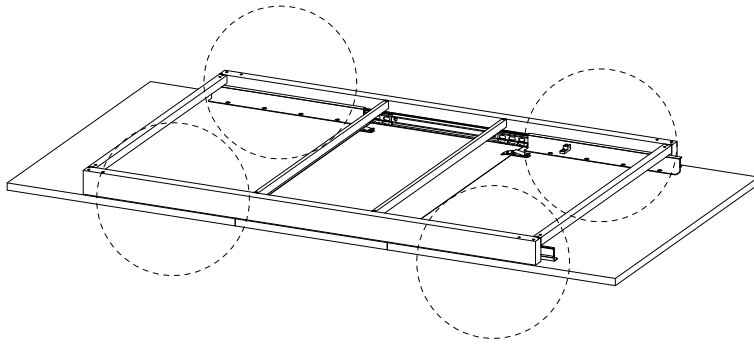
2



3

G
M6
x
12
x 16

H
x 1

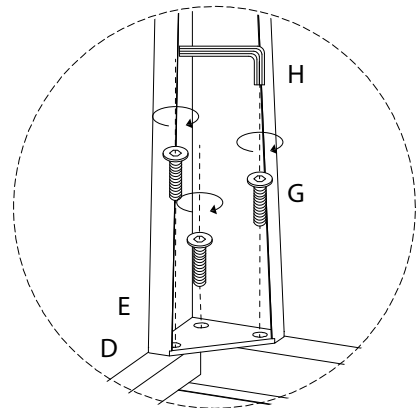
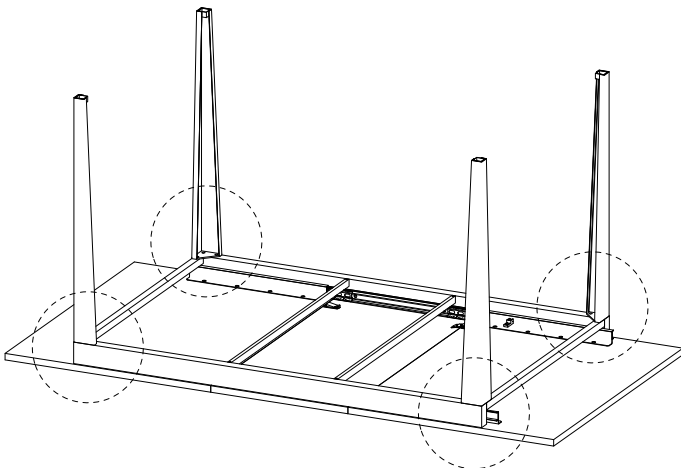


4

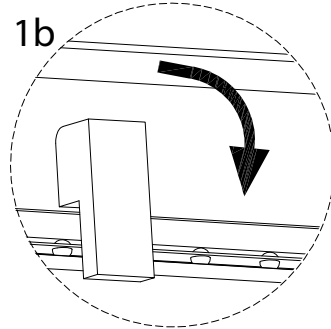
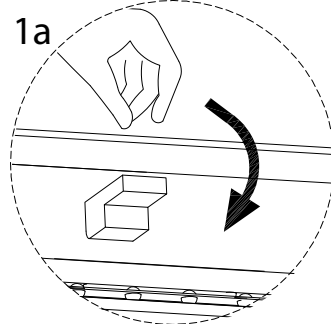
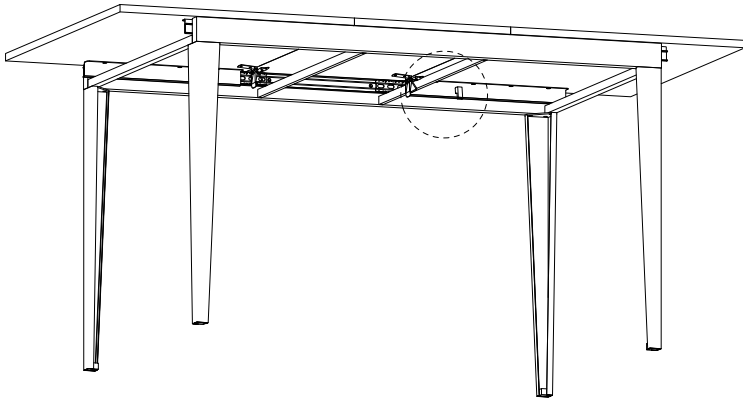
E
x 4

G
M6
x
12
x 12

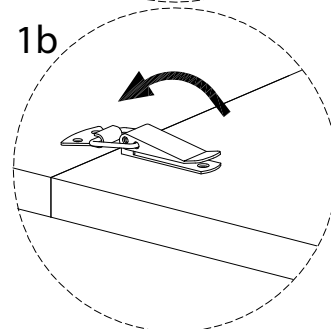
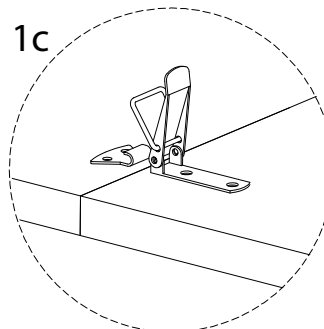
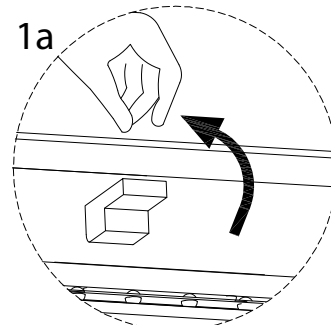
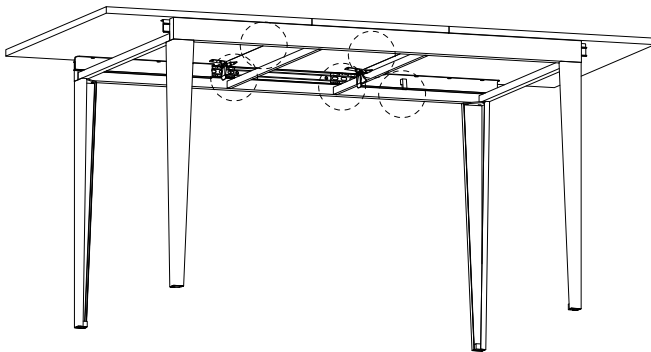
H
x 1



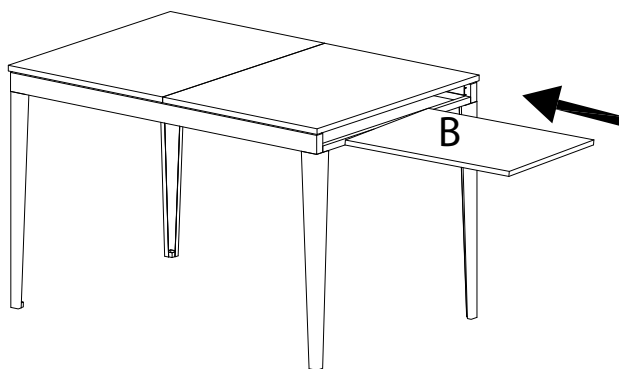
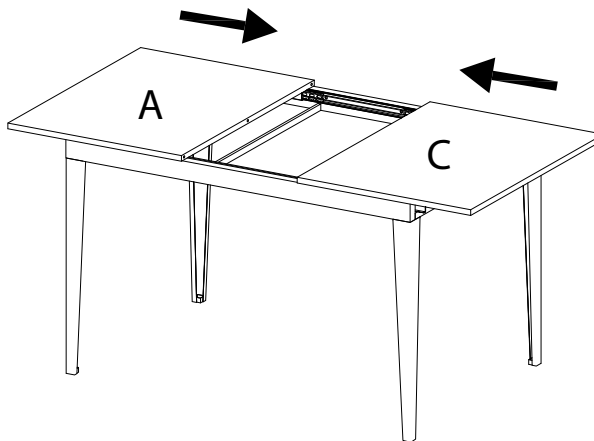
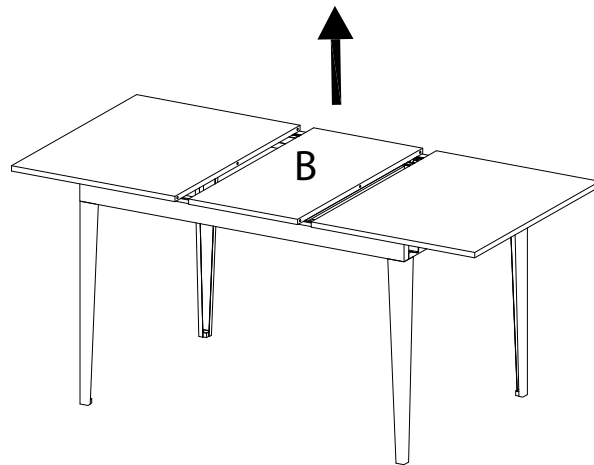
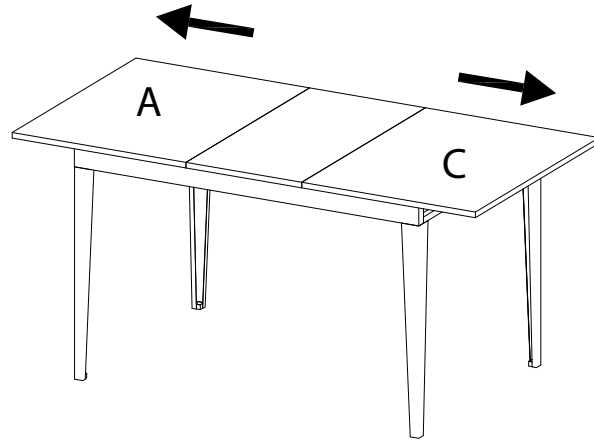
5



!



!



!

