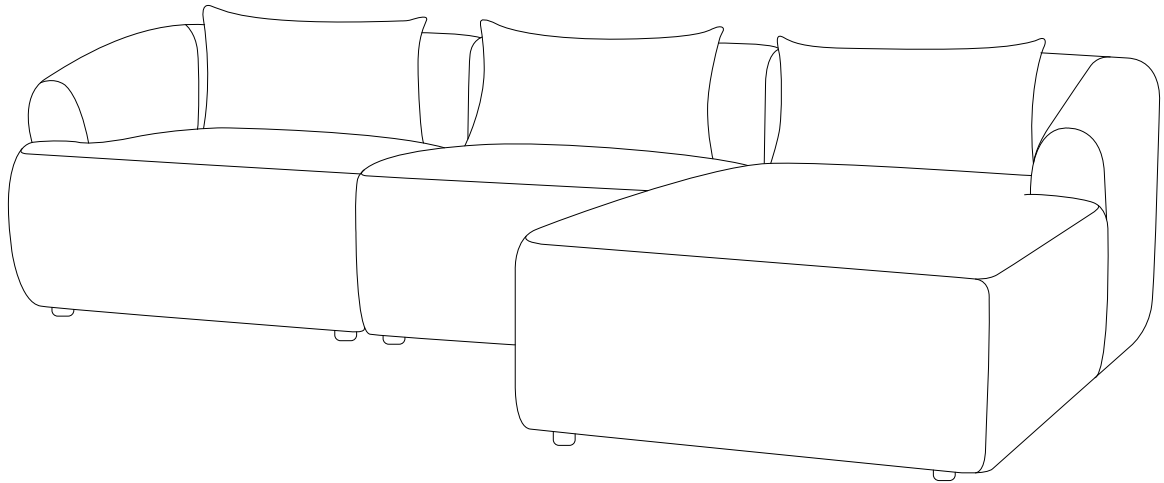
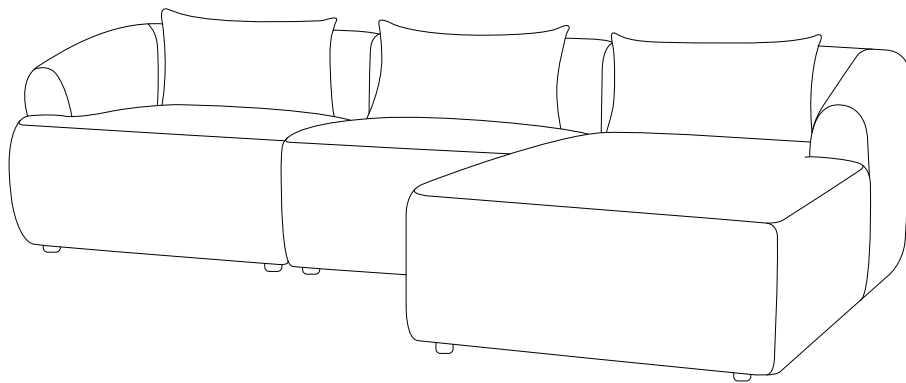
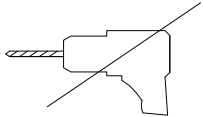
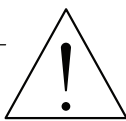
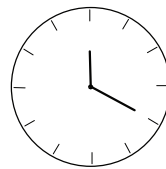
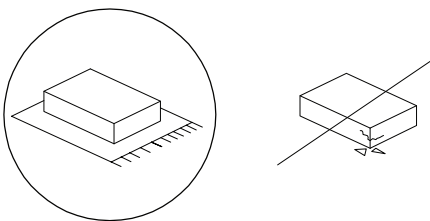

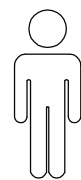


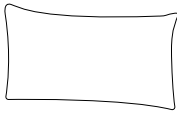
# SVANSELE



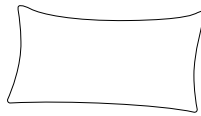


		
		<p>20'</p>
		
		<p>2</p>

D



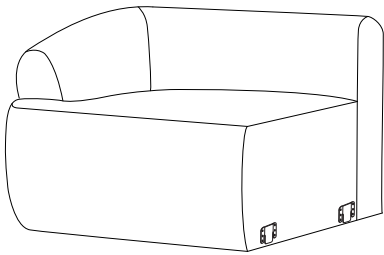
D



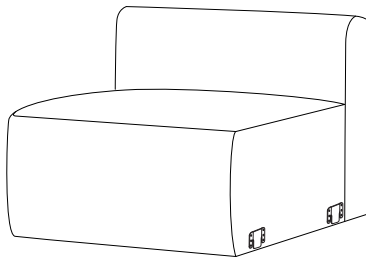
D



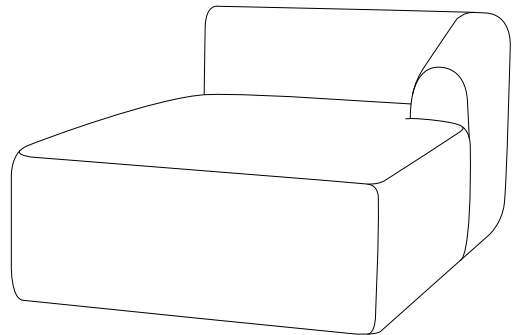
C



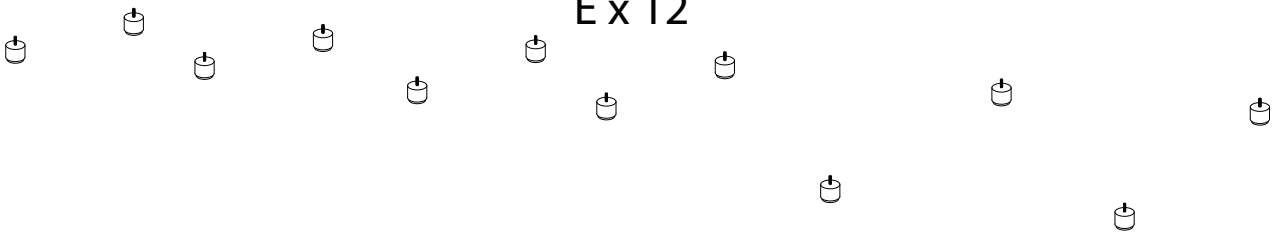
B



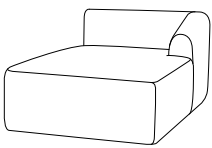
A



Ex 12

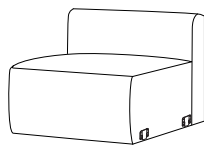


A



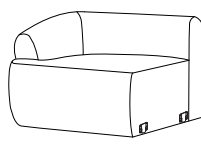
x 1

B



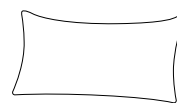
x 1

C



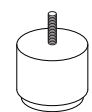
x 1

D



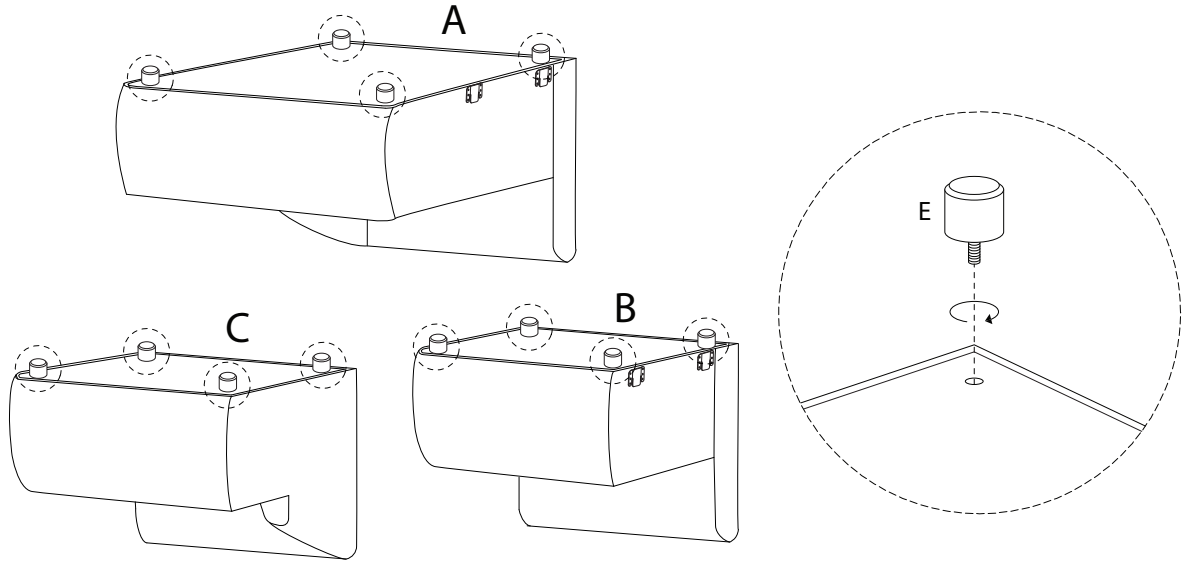
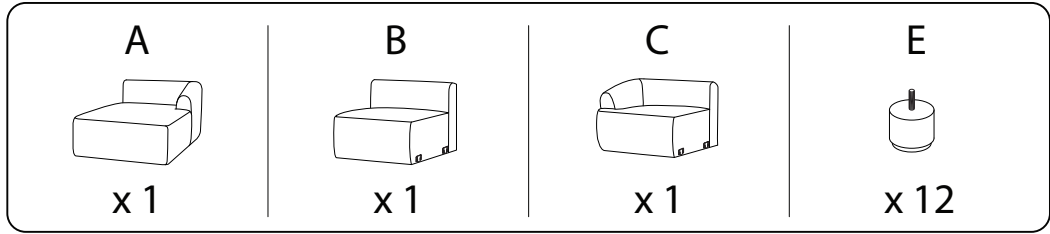
x 3

E

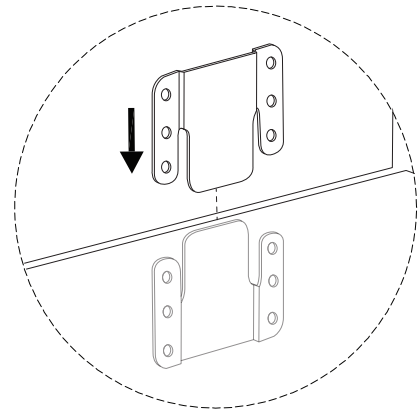
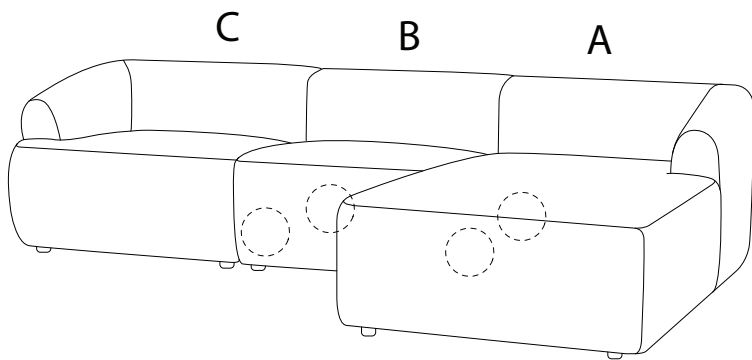


x 12

1



2



3

