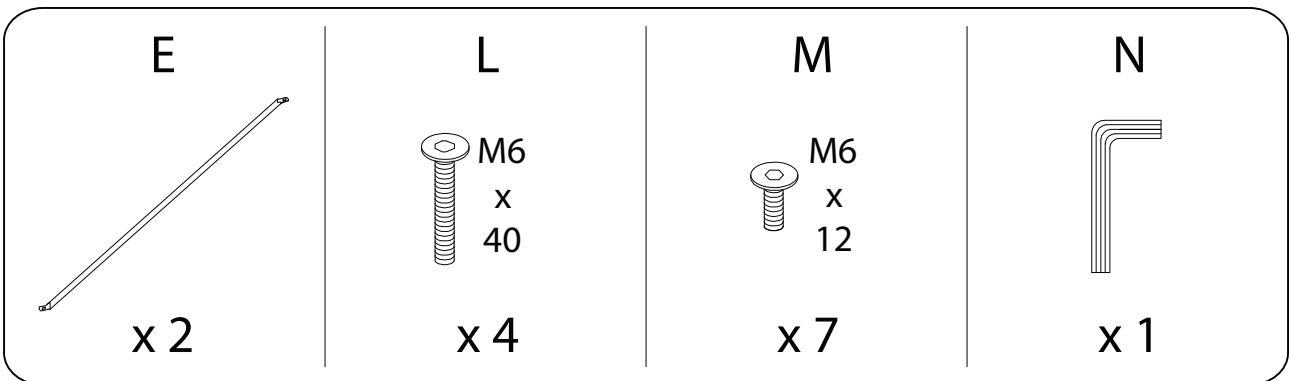
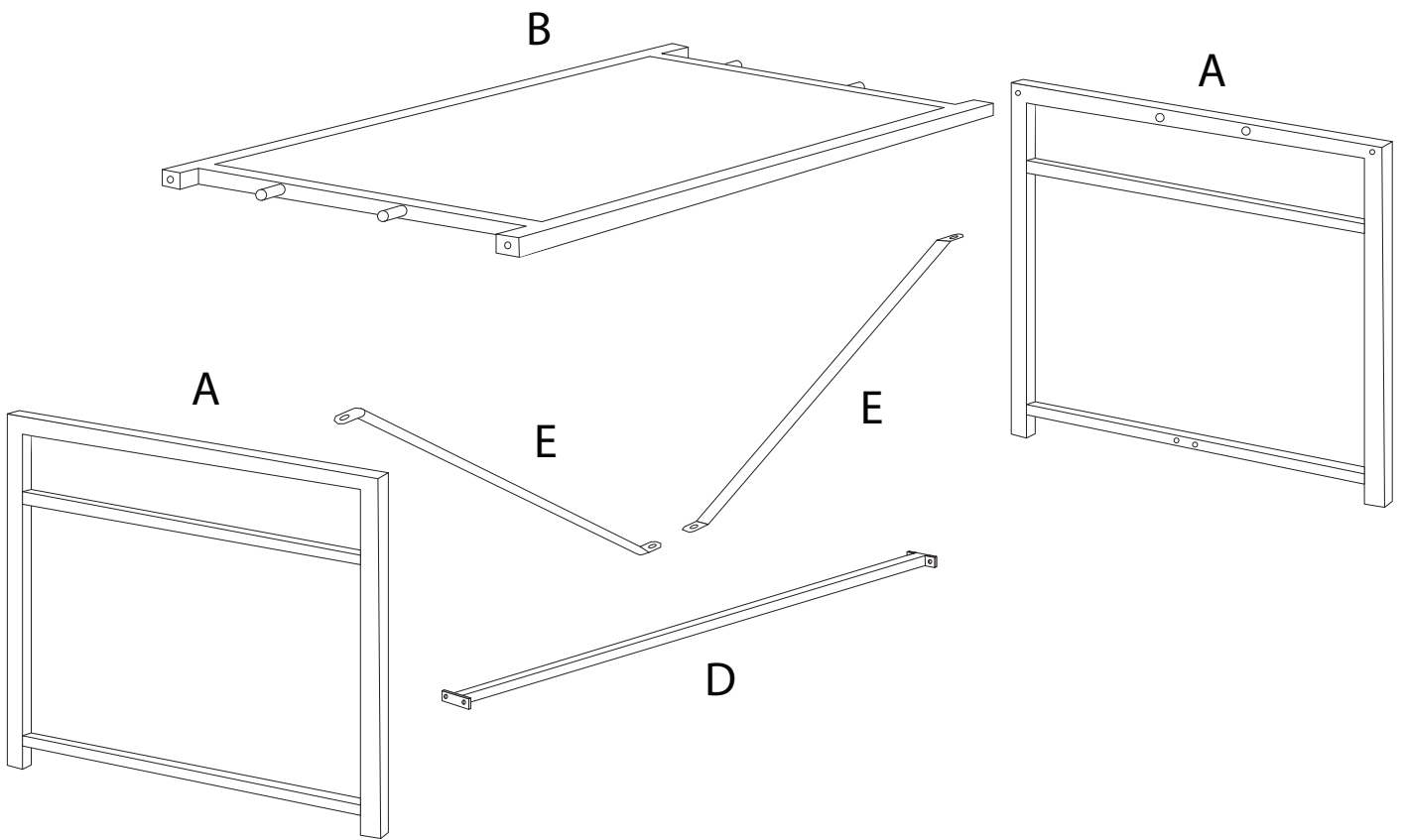
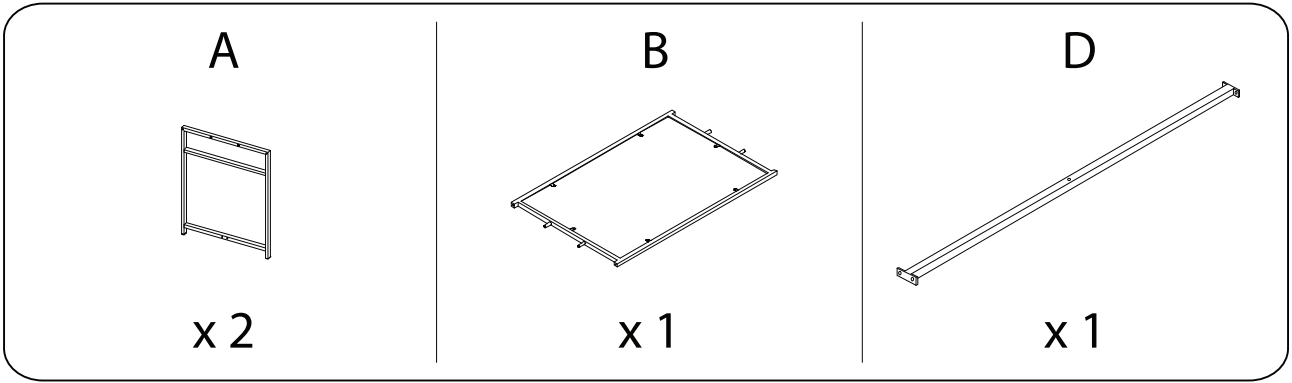


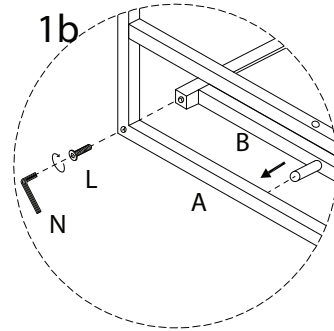
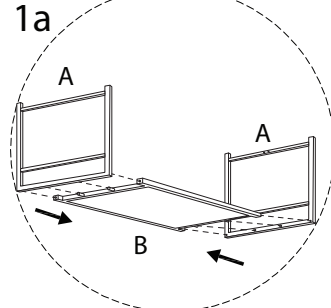
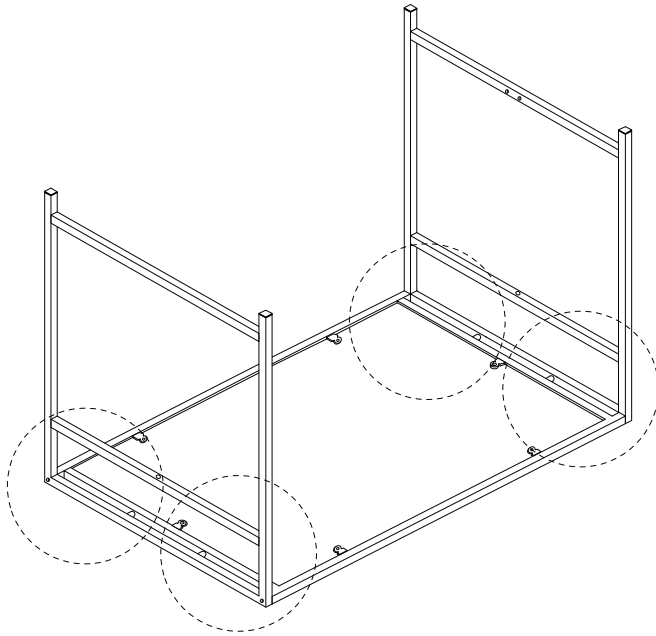
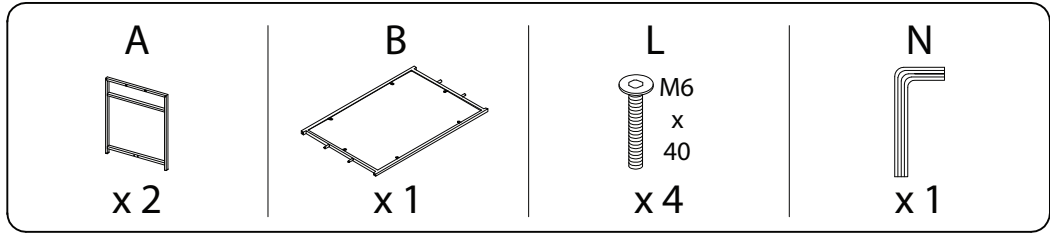
Diagram illustrating assembly instructions and safety warnings:

- Warning 1:** A warning triangle with an exclamation mark is shown next to a circular inset containing an L-shaped metal bracket and a crossed-out power drill icon, indicating that a power drill should not be used for this step.
- Warning 2:** A second warning triangle with an exclamation mark is shown next to a circular inset containing a rectangular block being placed on a surface and a crossed-out icon of the block being lifted, indicating a weight or handling warning.
- Time:** A clock icon is shown next to the text "40'", indicating the estimated assembly time.
- Personnel:** An icon of a person is shown next to the number "2", indicating that two people are required for assembly.

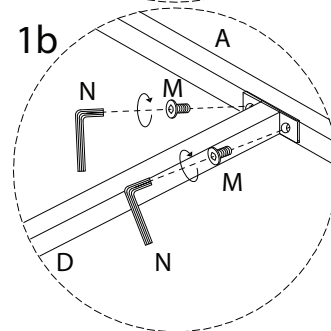
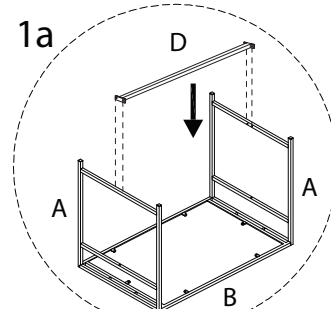
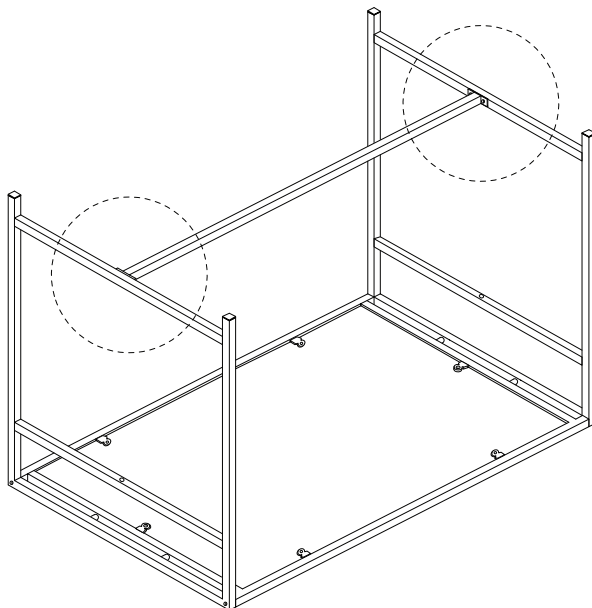
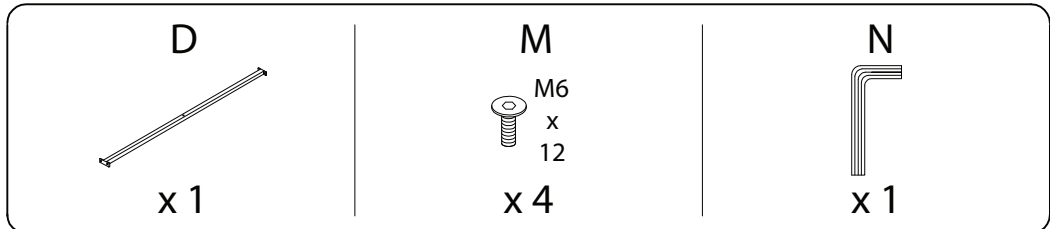
A



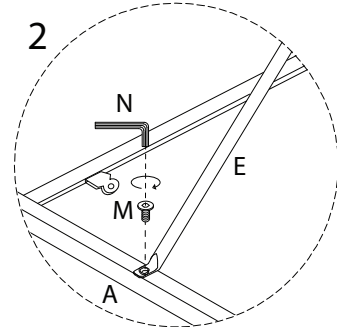
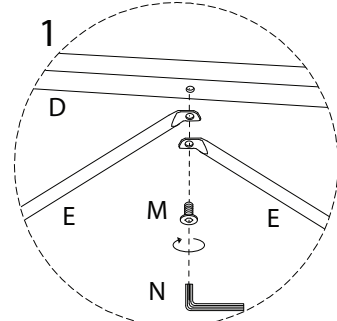
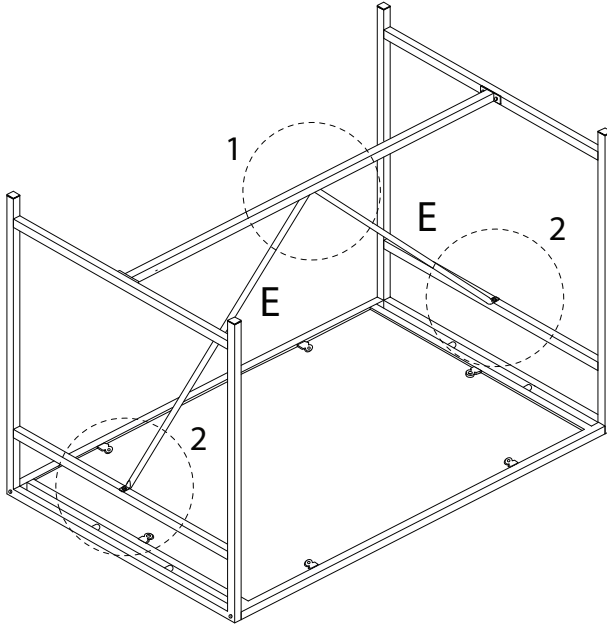
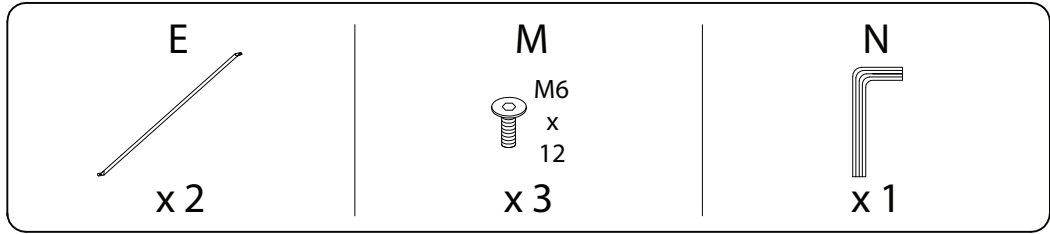
1



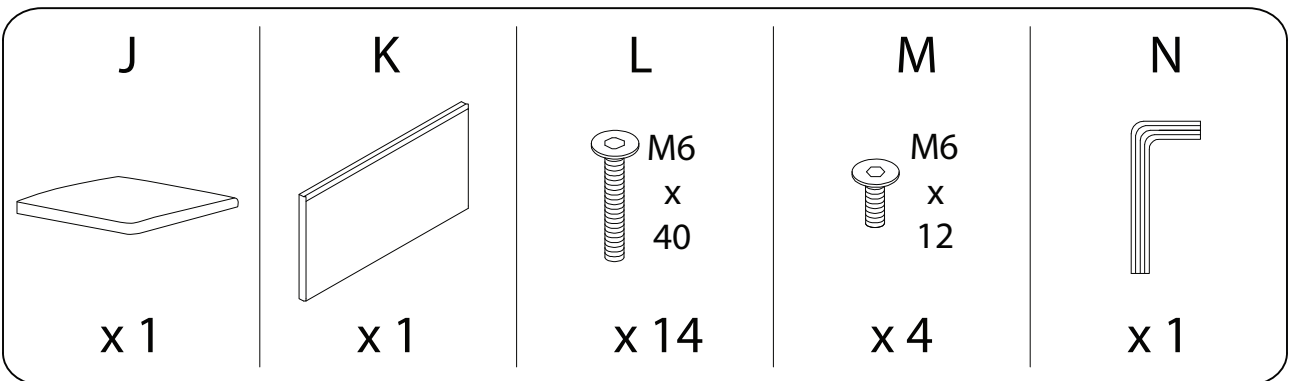
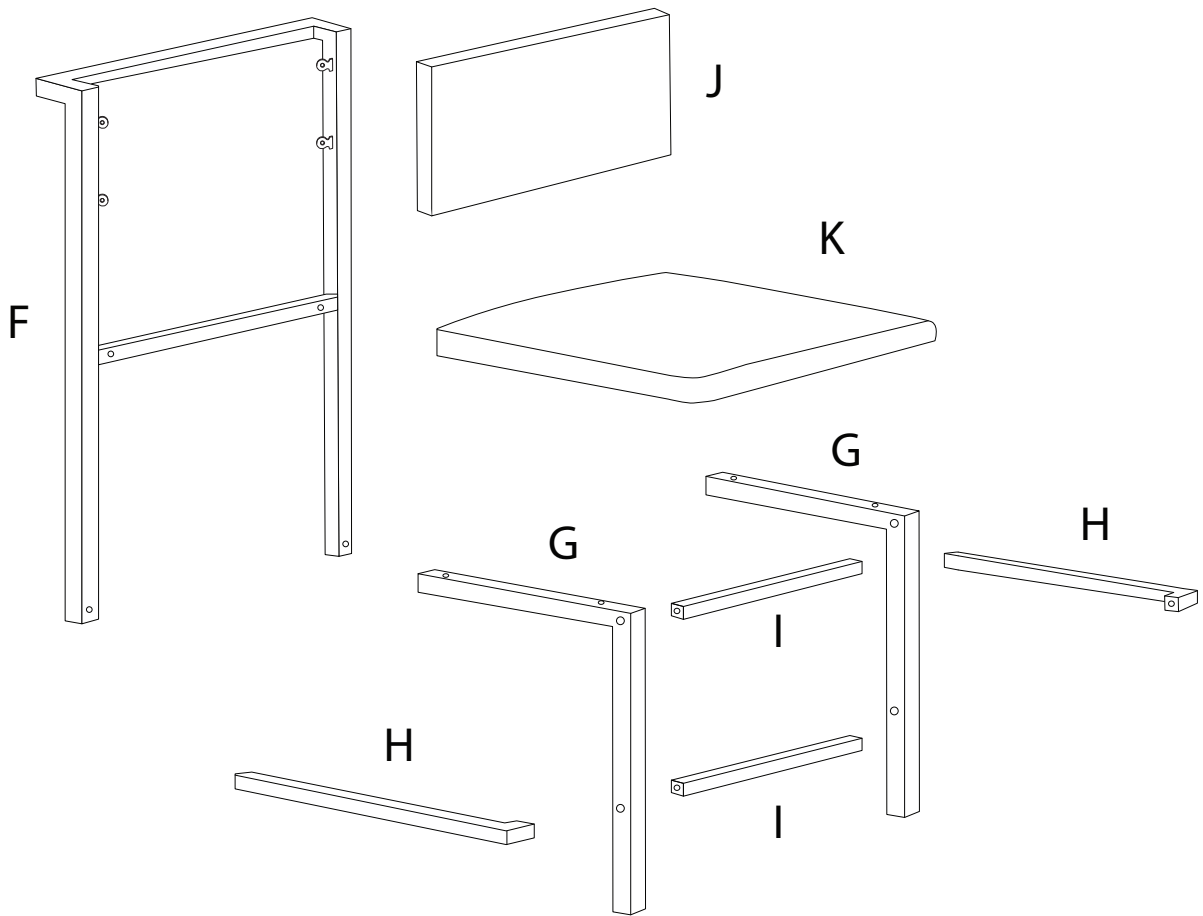
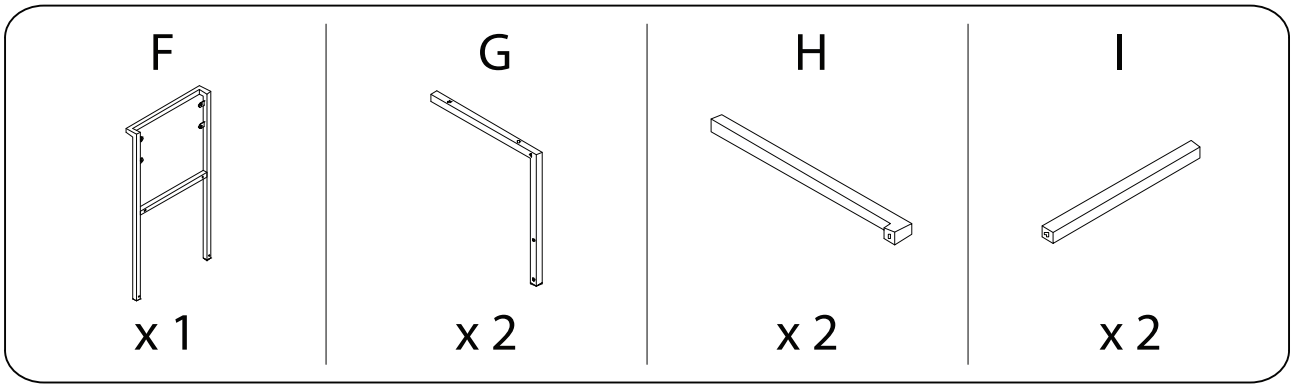
2



3

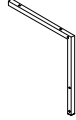


B



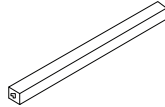
1

G



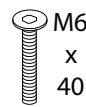
x 2

I



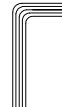
x 2

L

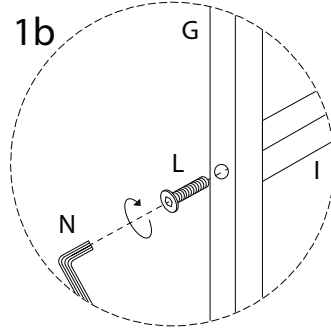
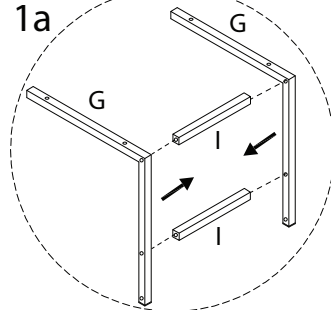
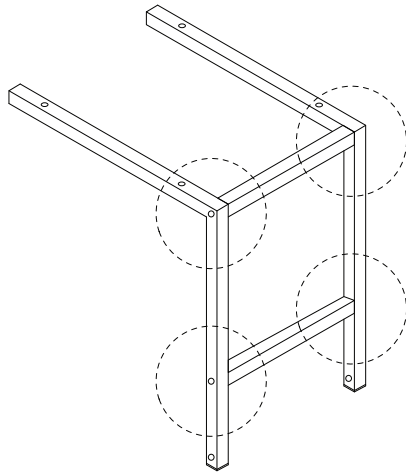


x 4

N

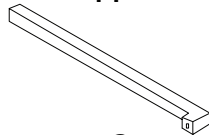


x 1



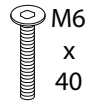
2

H



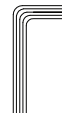
x 2

L

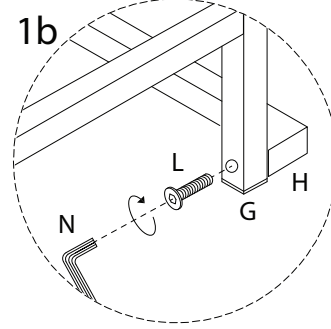
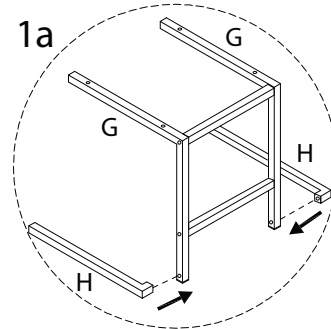
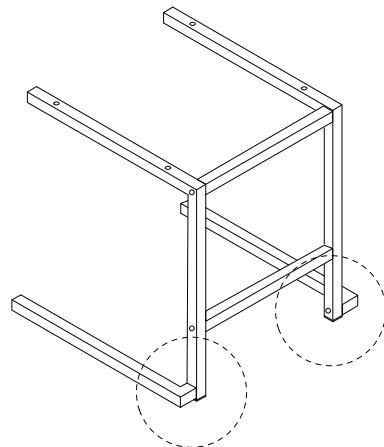


x 2

N

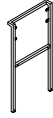


x 1



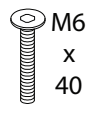
3

F



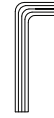
x 1

L

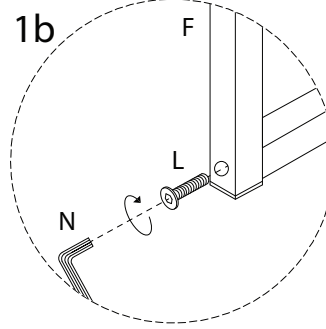
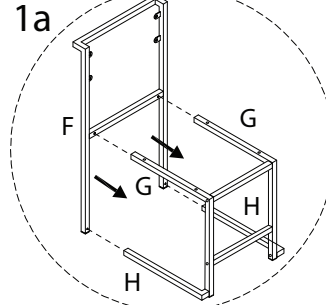
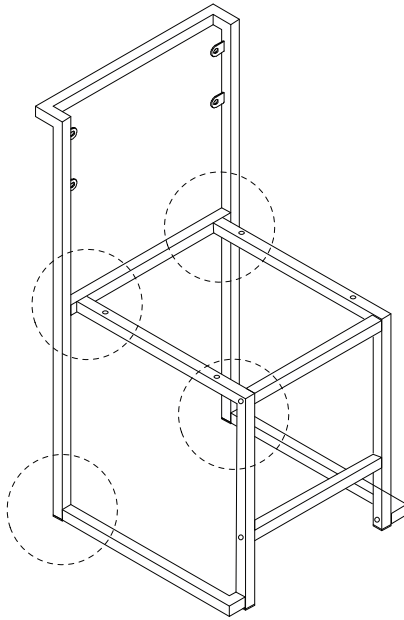


x 4

N



x 1



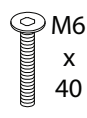
4

J



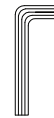
x 1

L

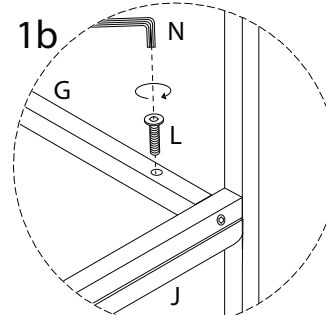
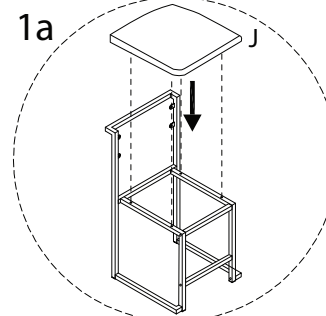
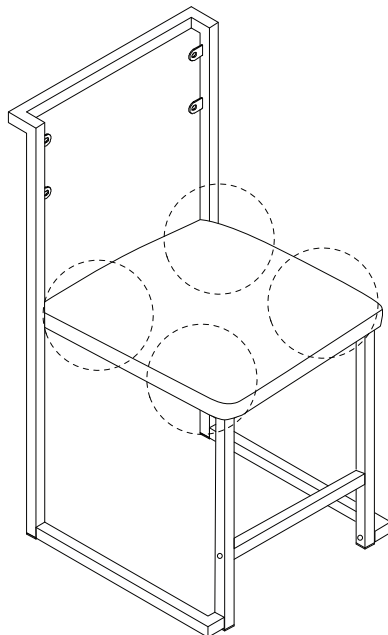


x 4

N



x 1



5

