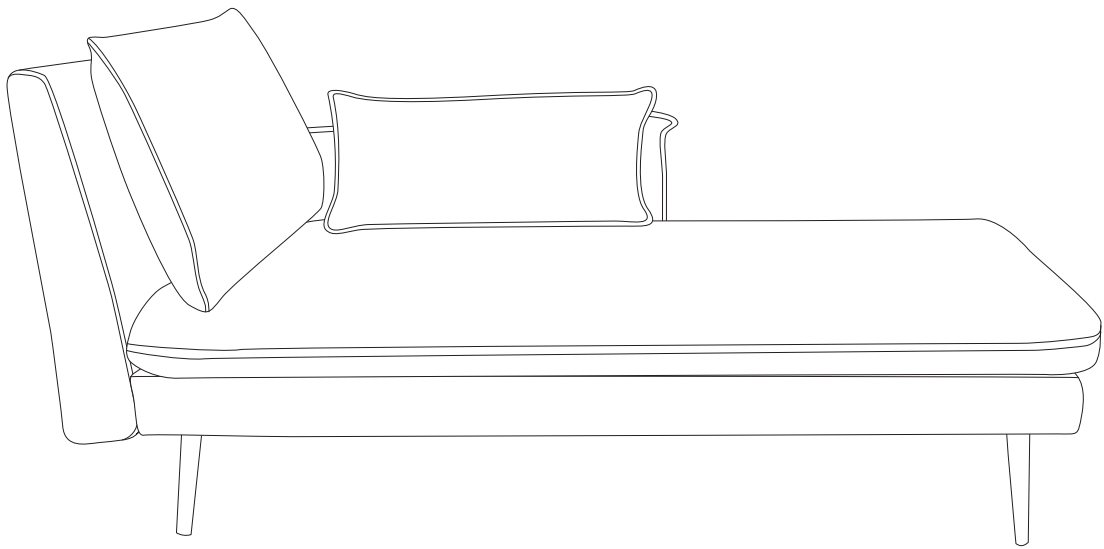
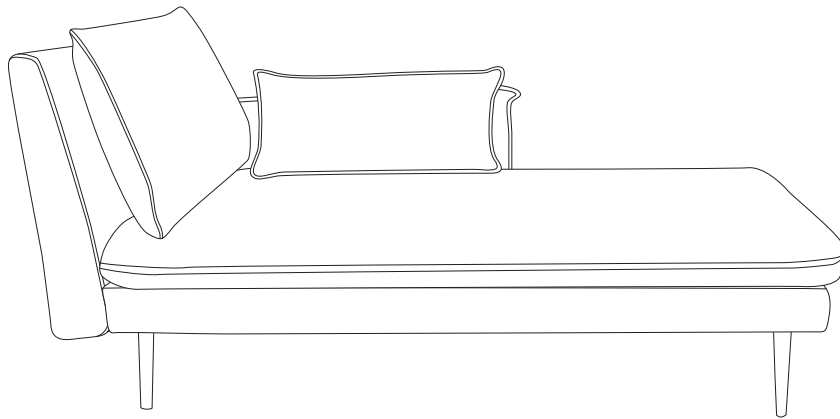
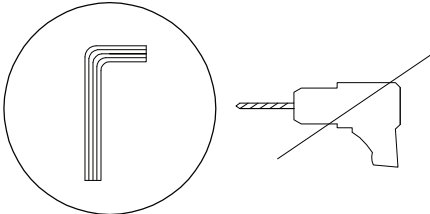

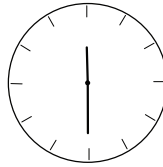
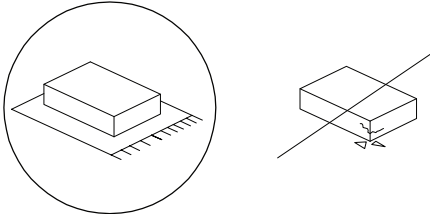


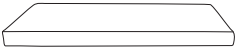


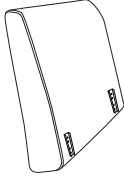
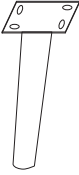


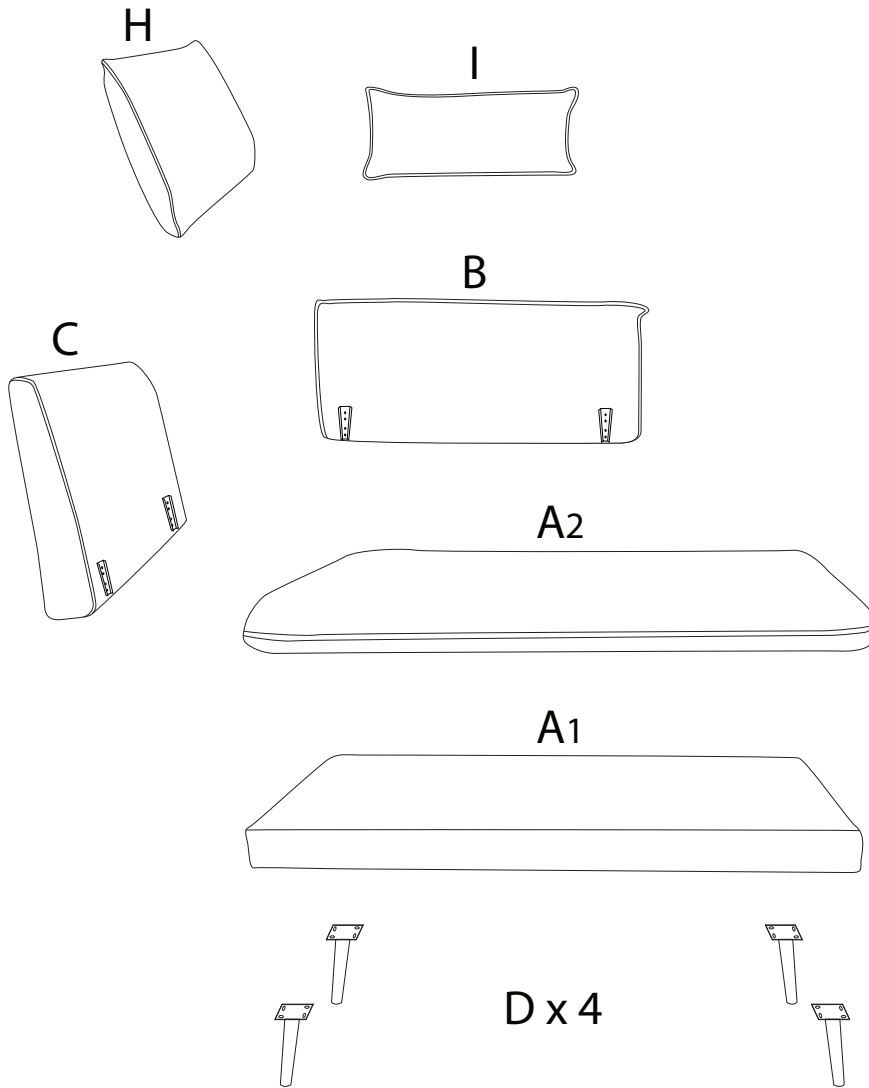
YERRES

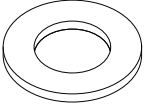
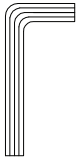
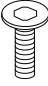
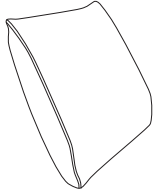
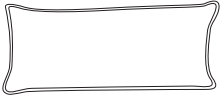




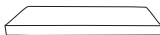


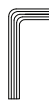

		
		<p>30'</p>
		
		<p>2</p>

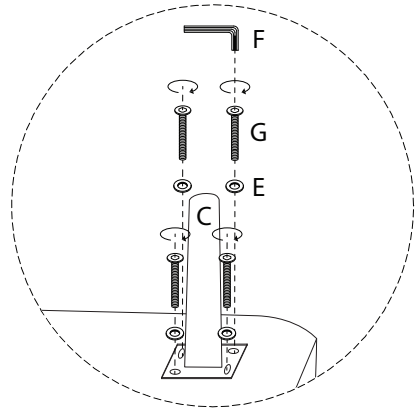
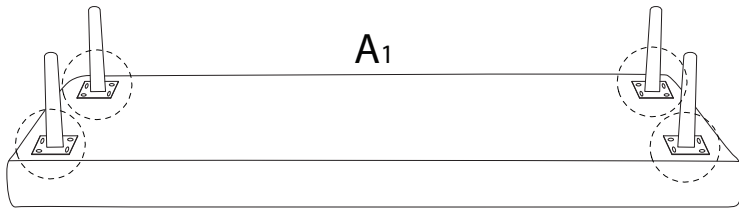
A1	A2	B	C	D
				
x 1	x 1	x 1	x 1	x 4




E	F	G	H	I
		 M8 x 16		
x 16	x 1	x 16	x 1	x 1

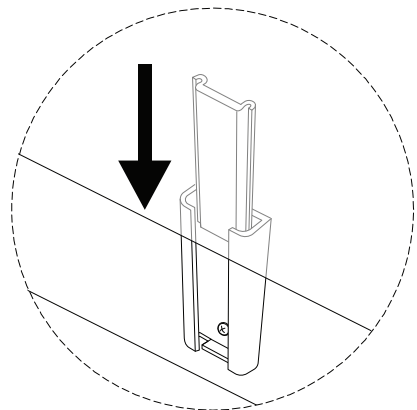
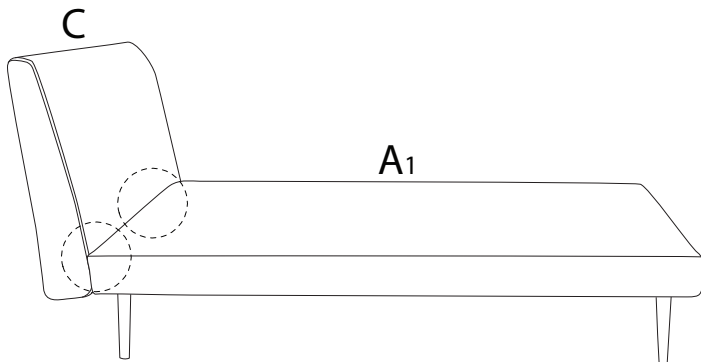
1

<p>A₁</p>  <p>x 1</p>	<p>D</p>  <p>x 4</p>	<p>E</p>  <p>x 16</p>	<p>F</p>  <p>x 1</p>	<p>G</p>  <p>M8 x 16</p> <p>x 16</p>
---	---	--	---	---

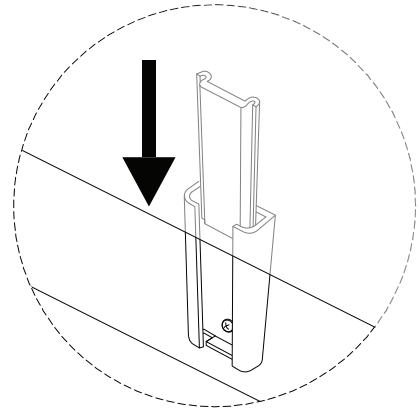
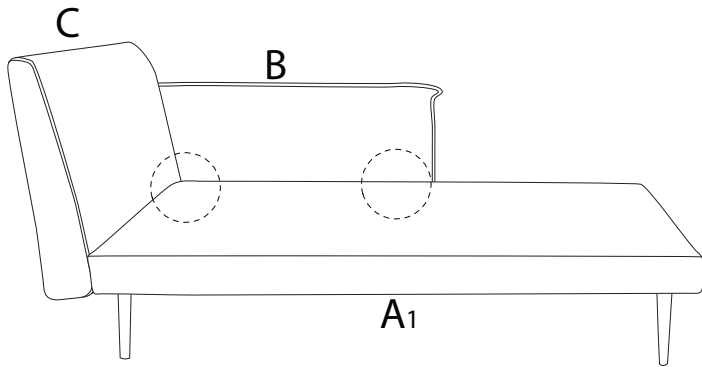
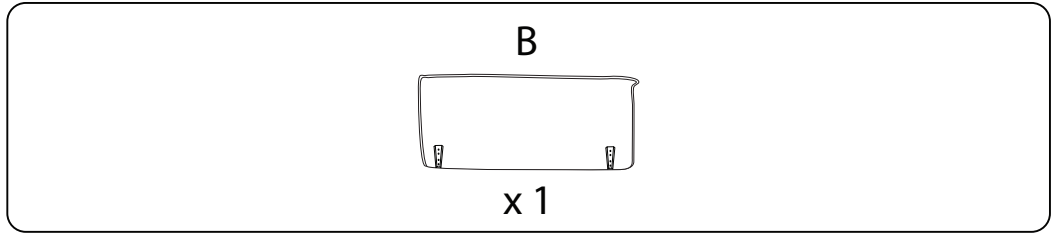


2

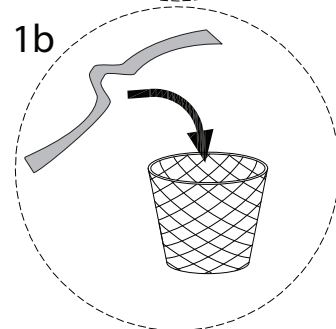
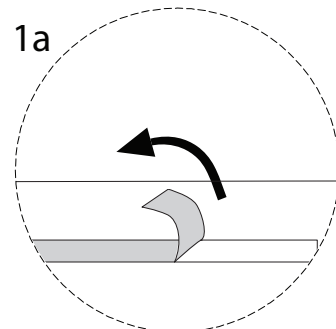
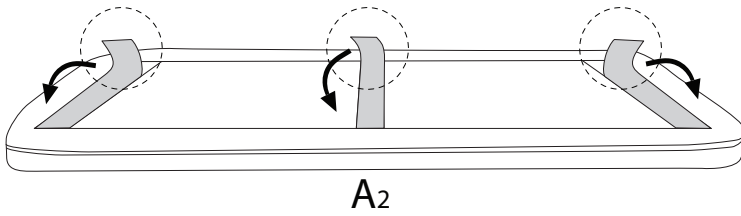
<p>C</p>  <p>x 1</p>



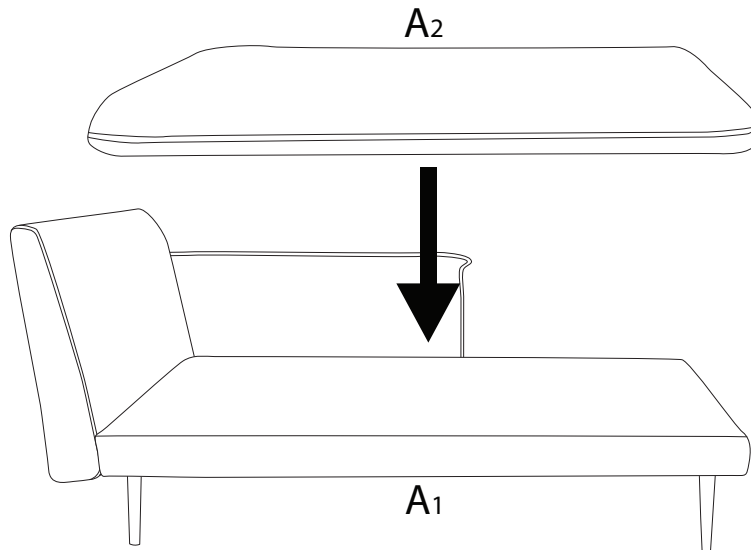
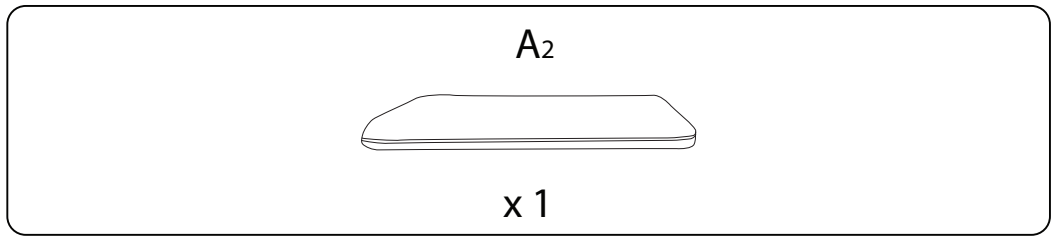
3



!



4



5

