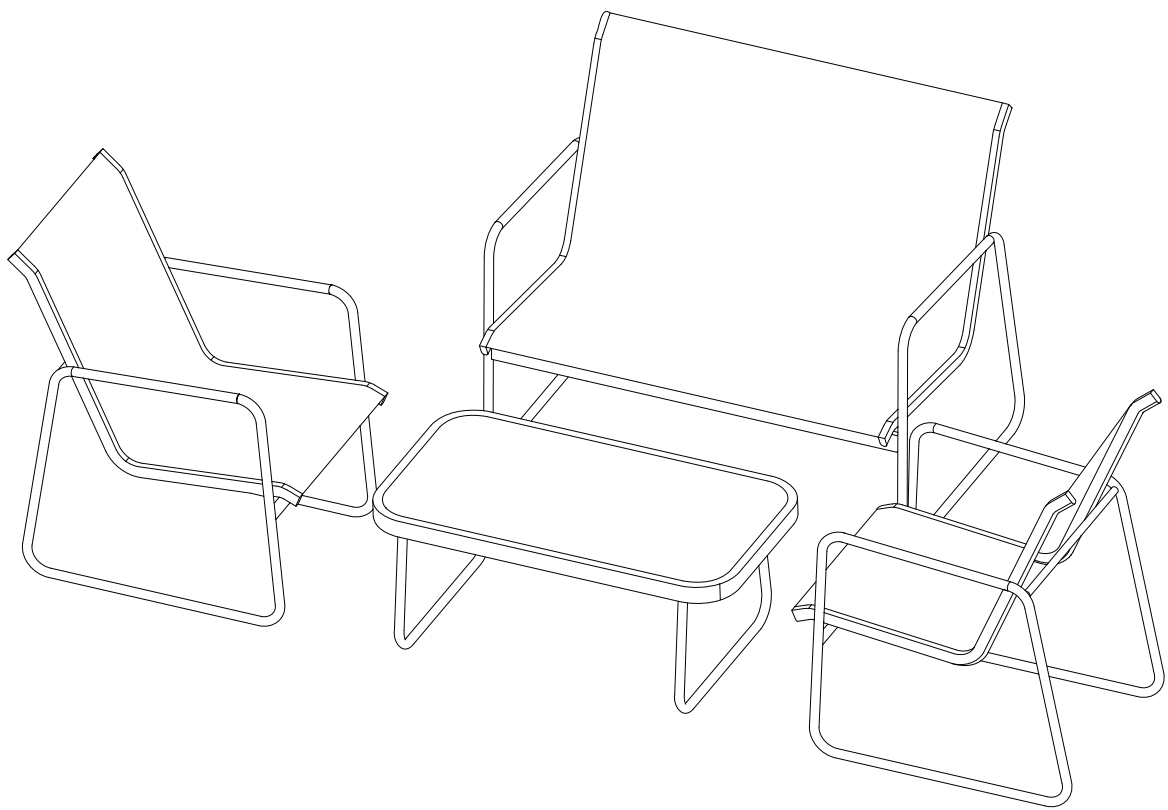
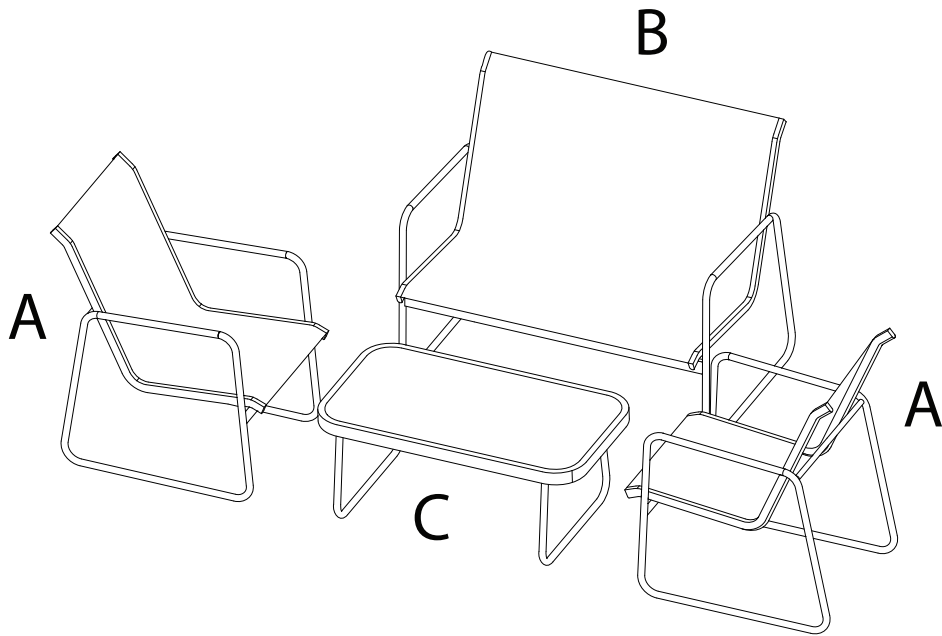
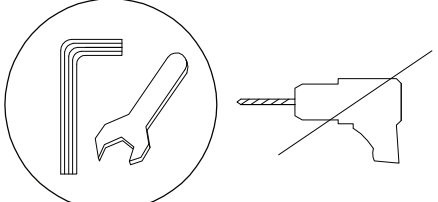

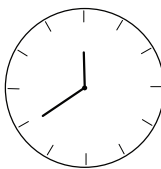
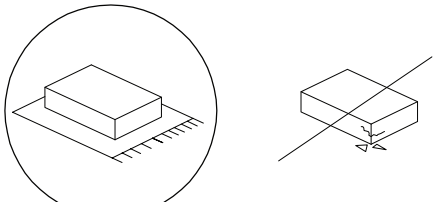




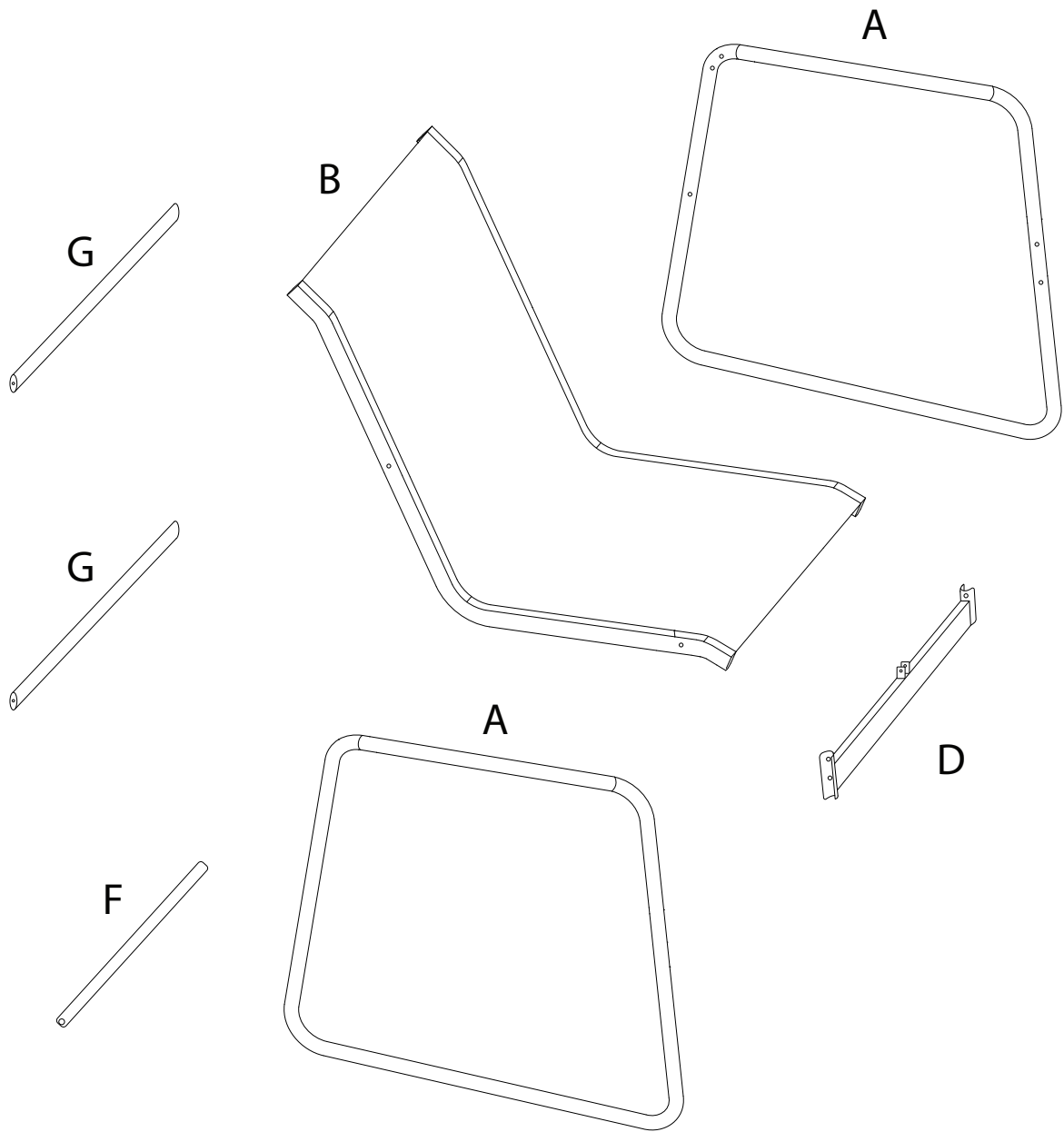
# BARREA





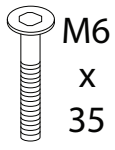
		
		<b>40'</b>
		
		<b>2</b>

# A x 2



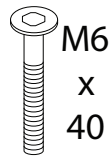
A	B	D	F	G
x 2	x 1	x 1	x 1	x 2

M



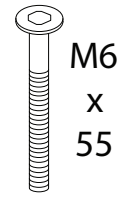
x 2

N



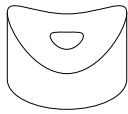
x 4

O



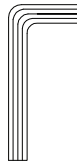
x 4

P



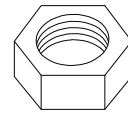
x 2

S



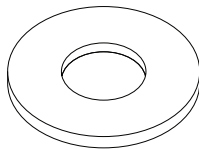
x 1

T



x 4

Q



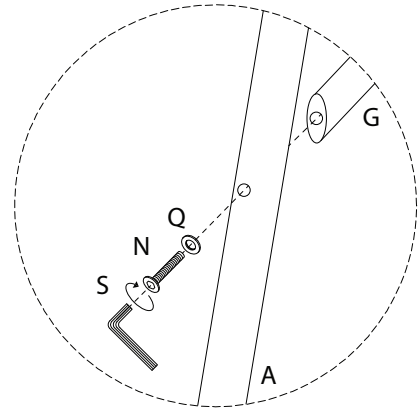
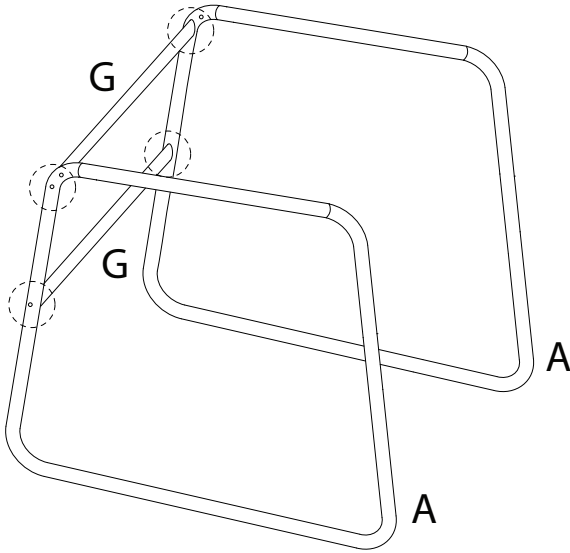
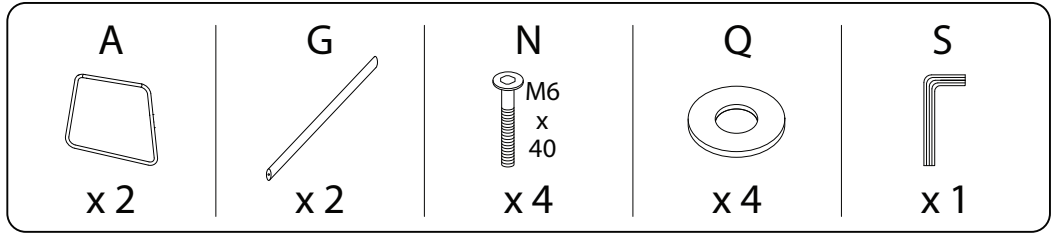
x 14

R

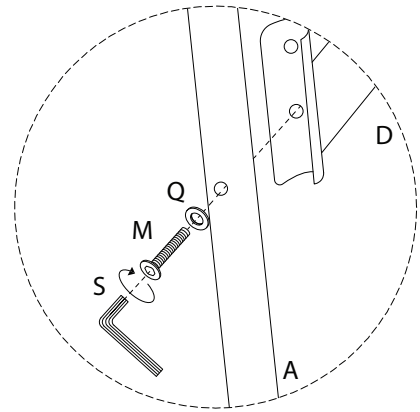
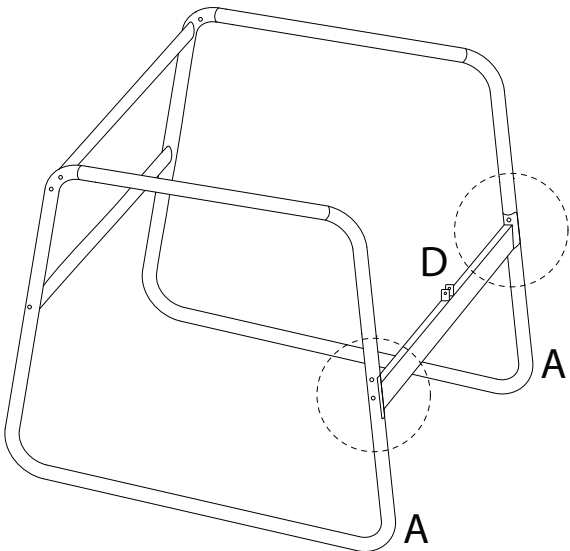


x 1


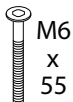
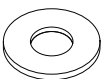
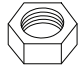



1

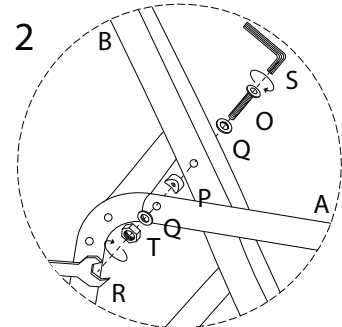
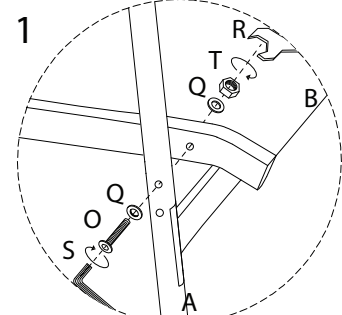
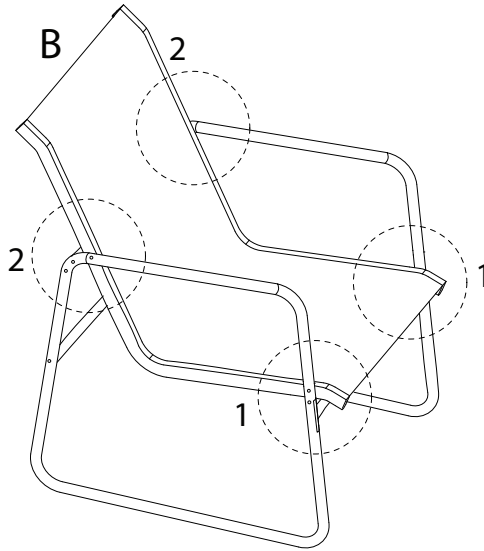


2

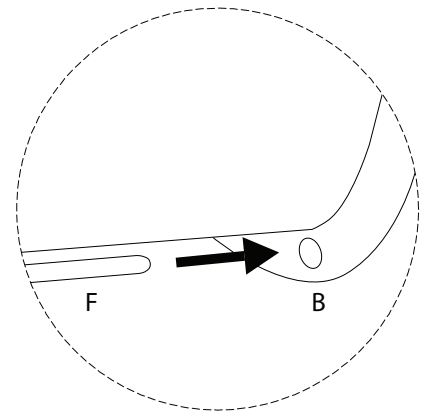
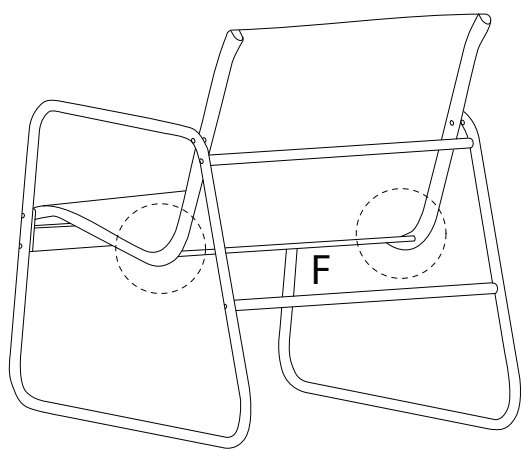
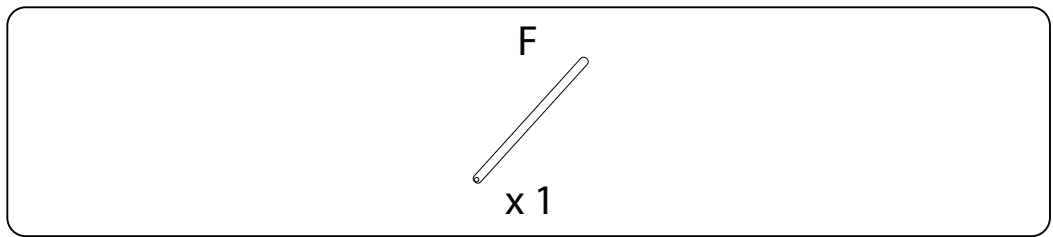


3

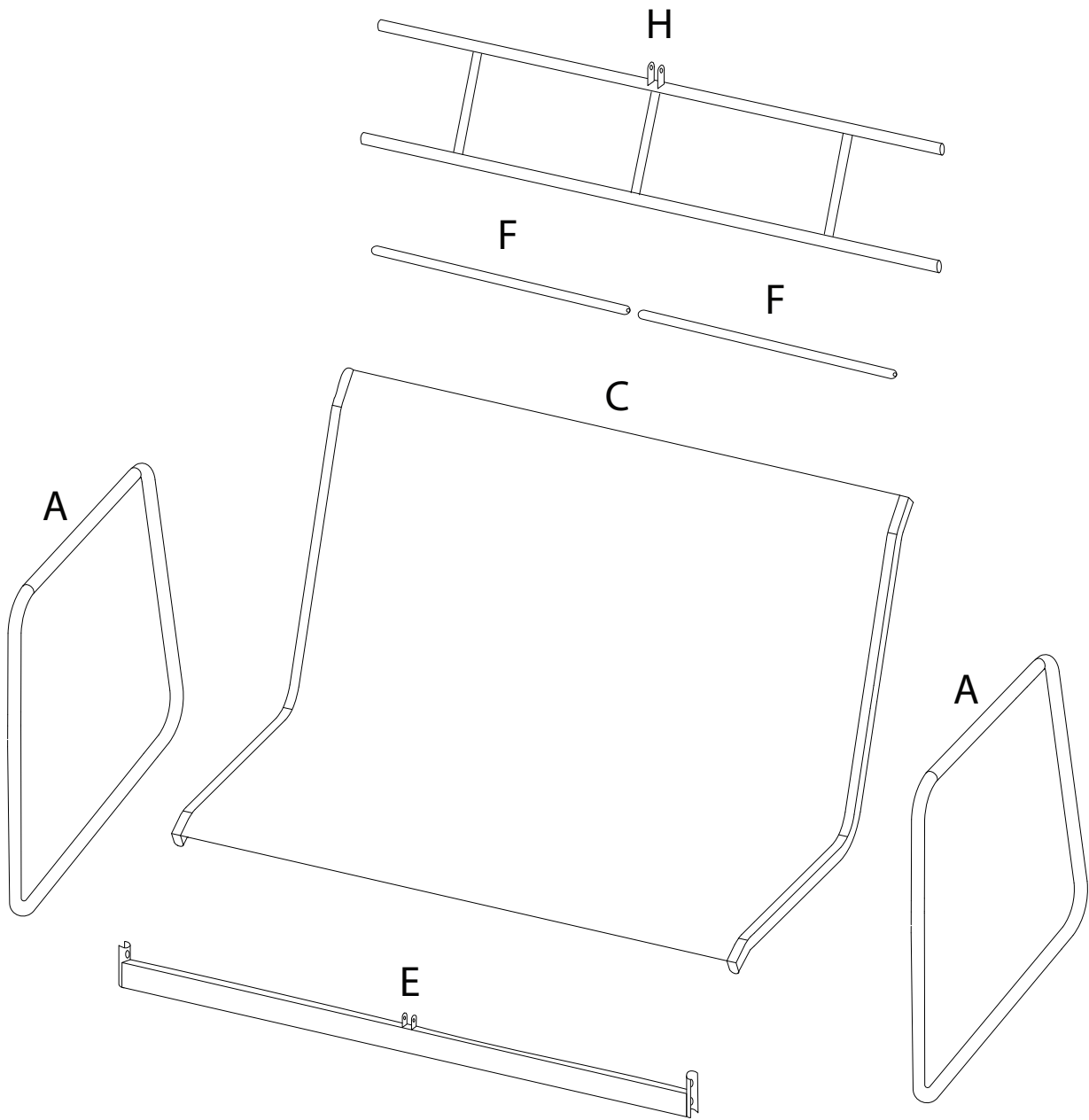
 x 1	 x 4	 x 8	 x 4	 x 2	 x 1	 x 1
--	--	--	--	--	--	--

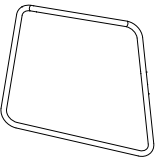
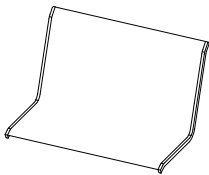

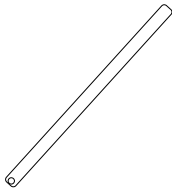
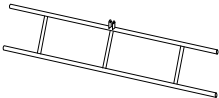


4

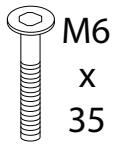


# B



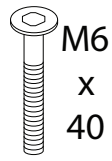
A	C	E	F	H
				
x 2	x 1	x 1	x 2	x 2

M



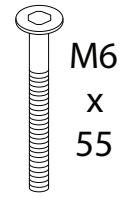
x 2

N



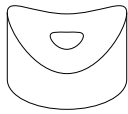
x 4

O



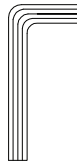
x 6

P



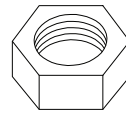
x 2

S



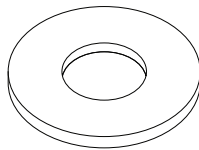
x 1

T



x 6

Q



x 18

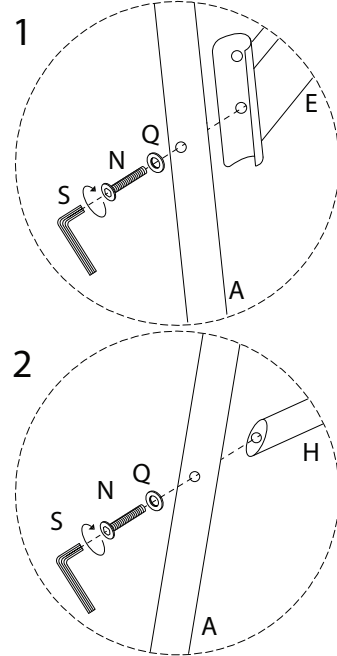
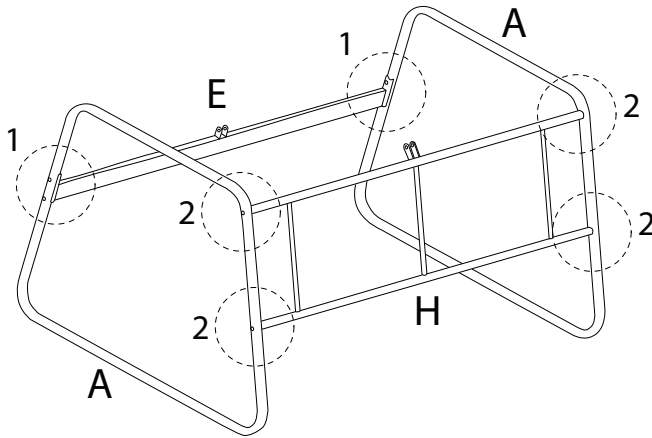
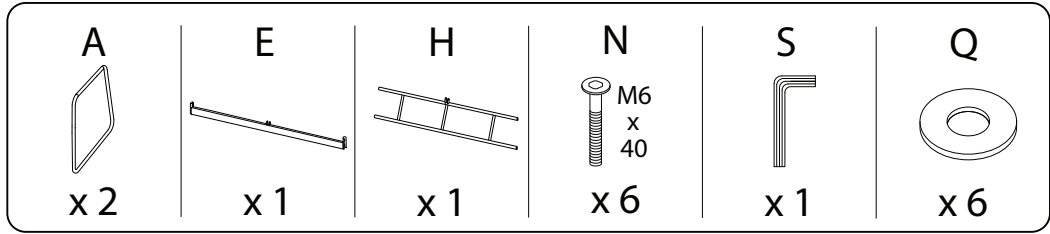
R



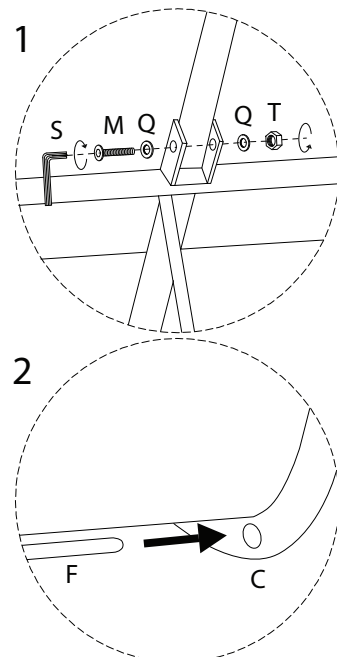
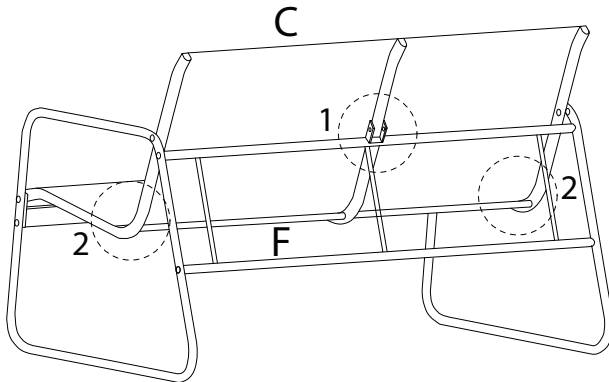
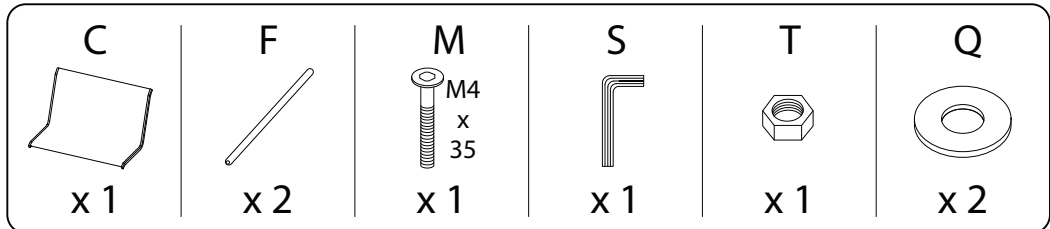
x 1



1



2



3

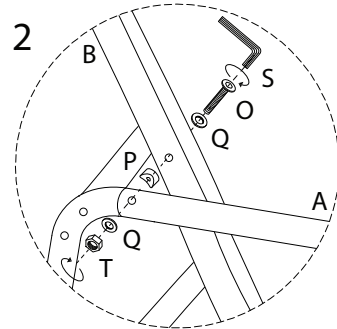
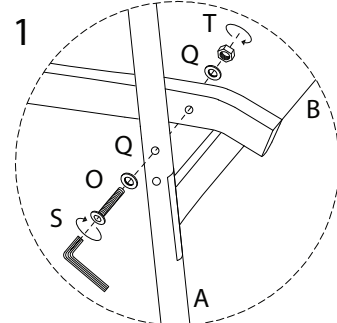
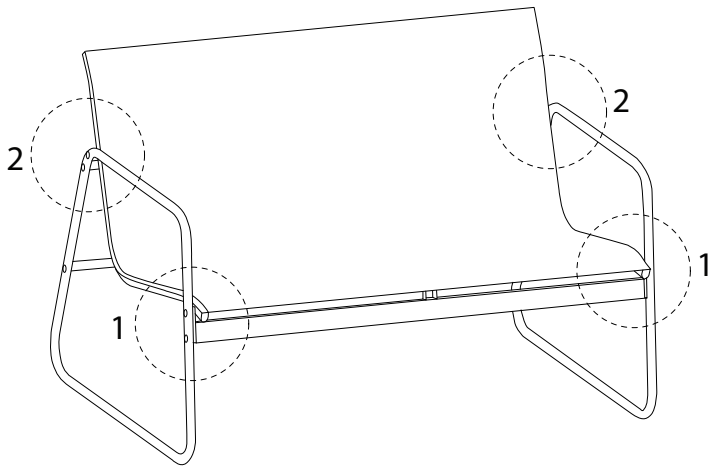
O  
M6  
x  
55  
x 4

Q  
x 8

T  
x 4

P  
x 2

S  
x 1



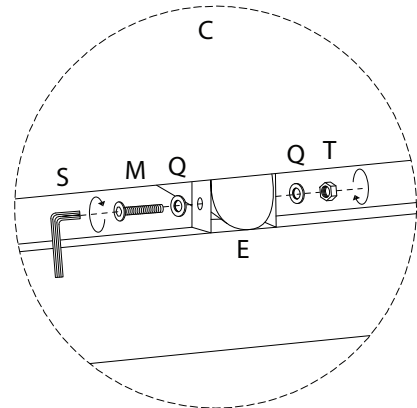
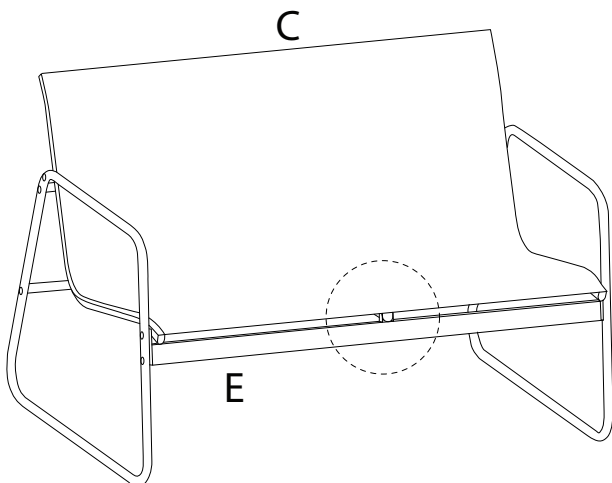
4

M  
M4  
x  
35  
x 1

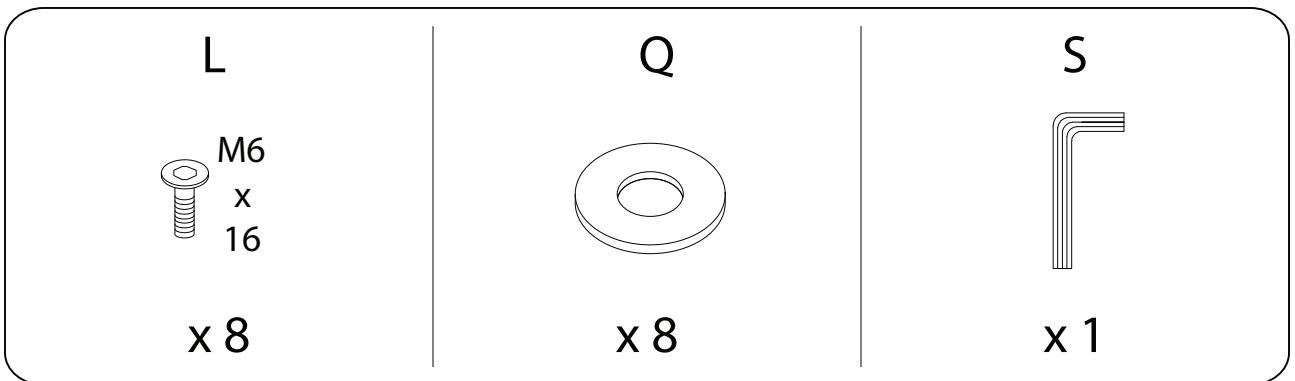
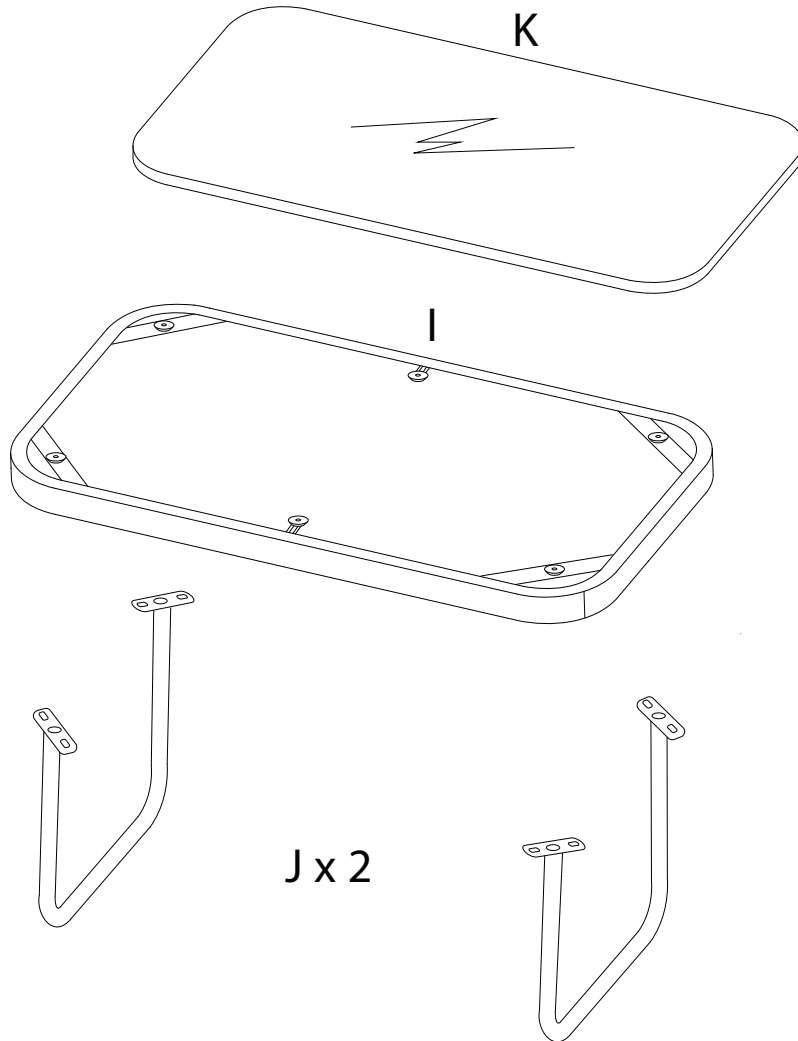
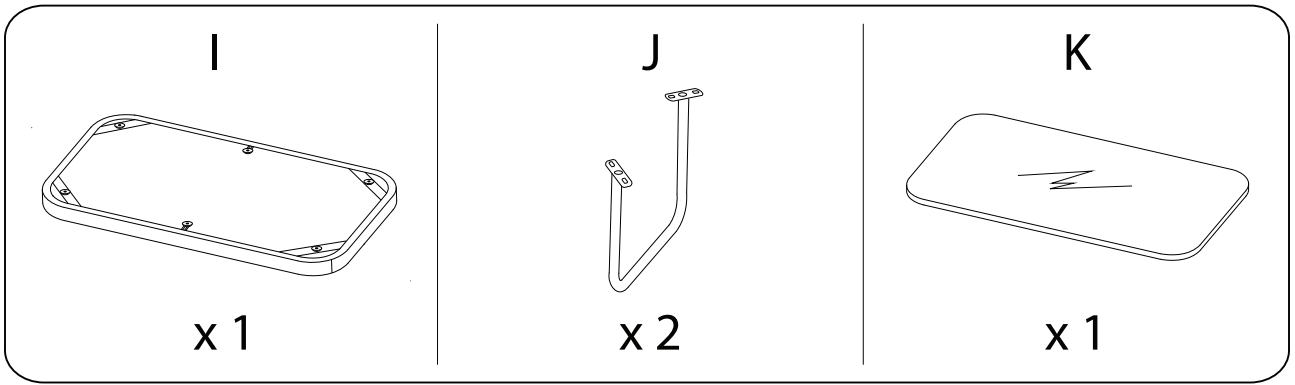
S  
x 1

T  
x 1

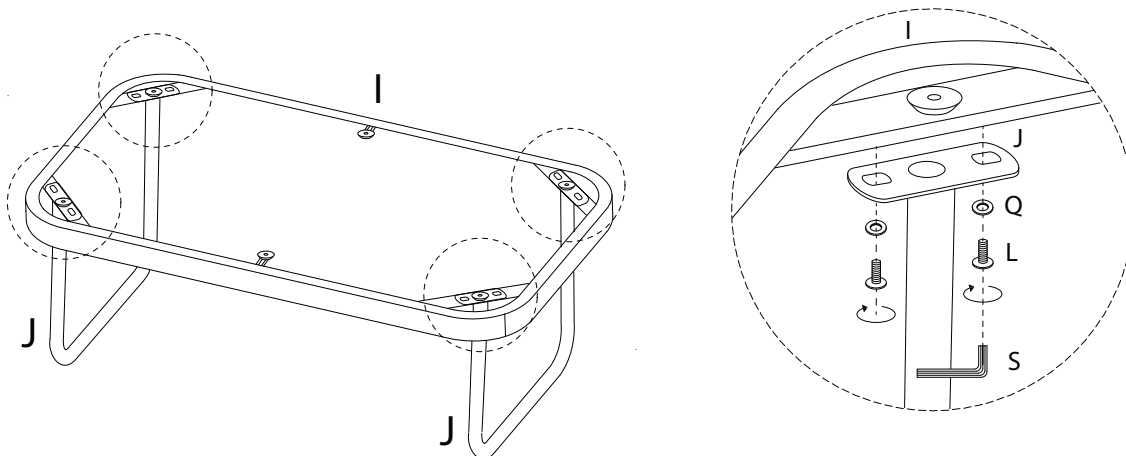
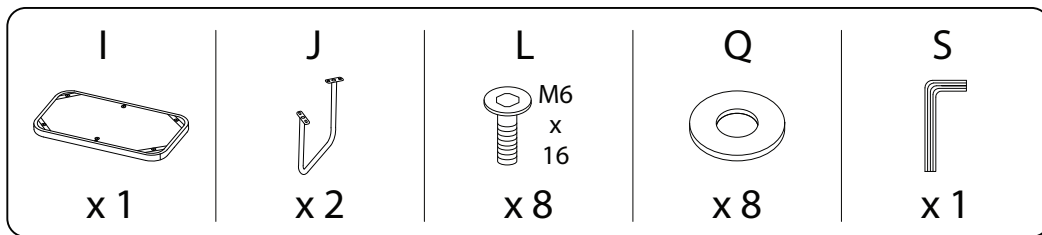
Q  
x 2



# C



1



2

