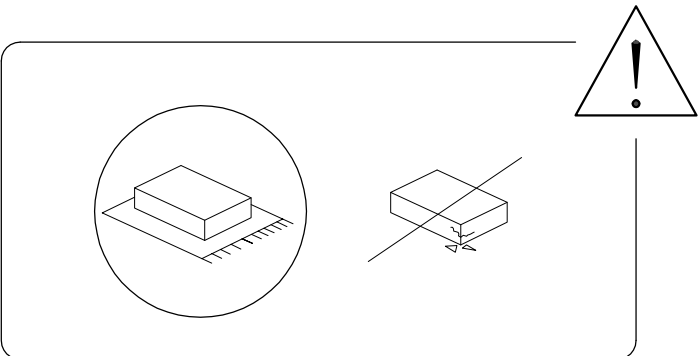
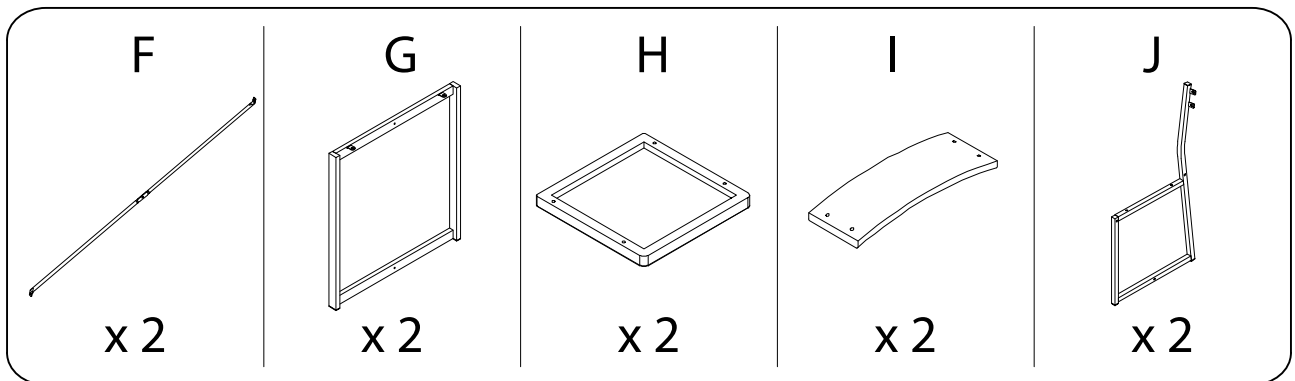
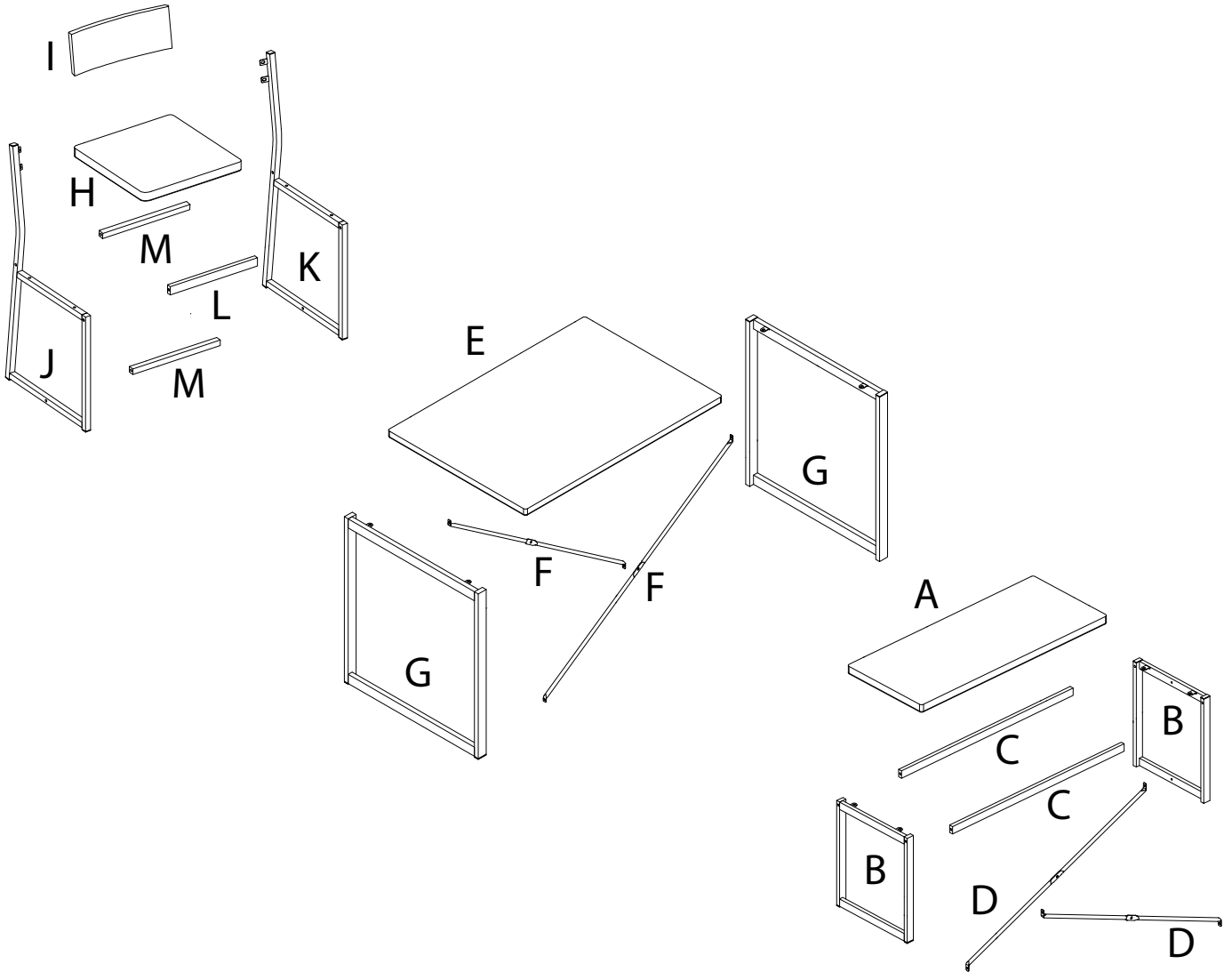
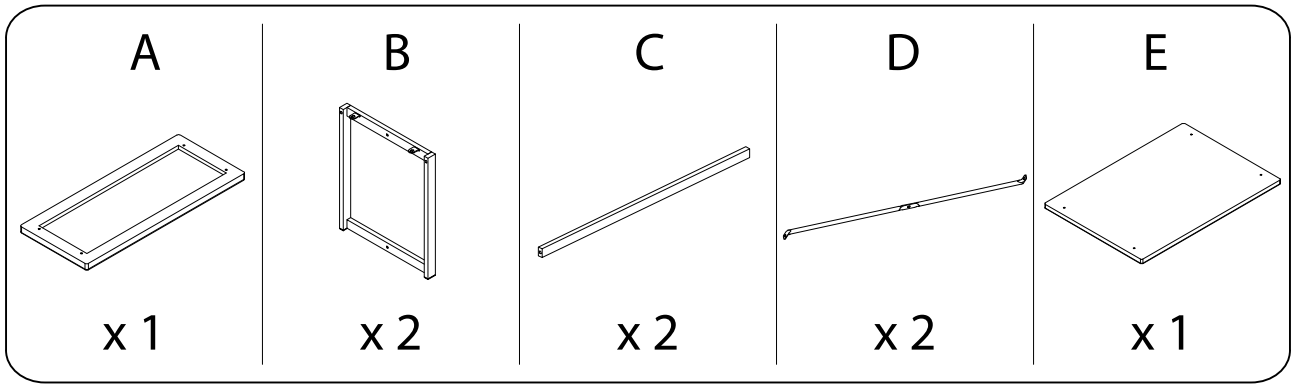


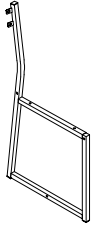
40'



2

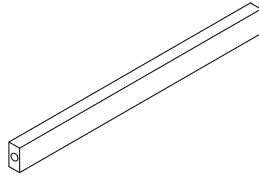


K



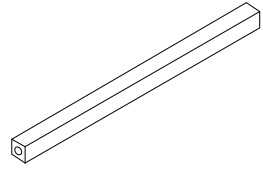
x 2

L



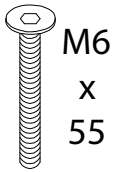
x 2

M



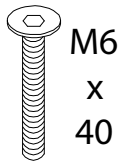
x 4

N



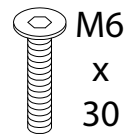
x 4

O



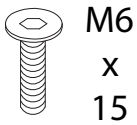
x 12

P



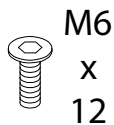
x 8

Q



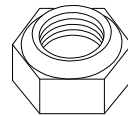
x 2

R



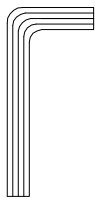
x 24

S



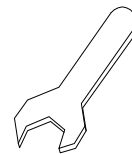
x 2

T



x 1

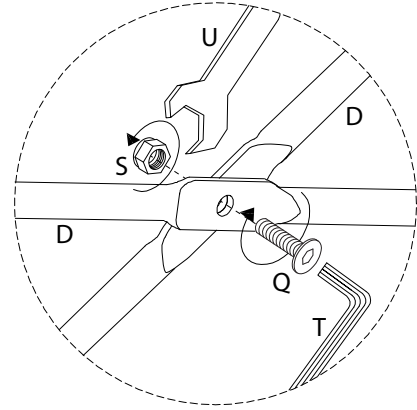
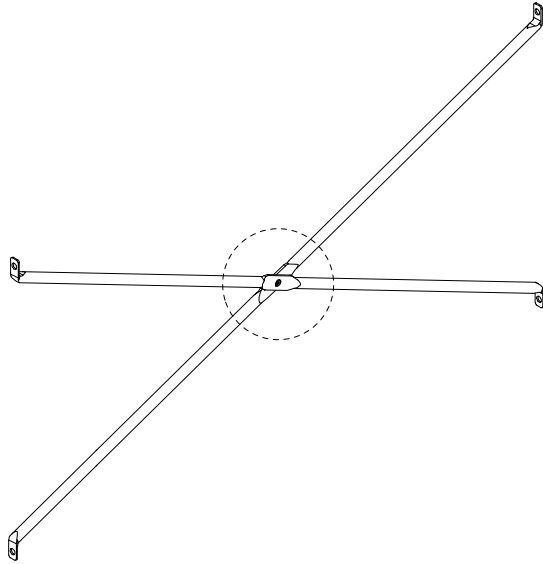
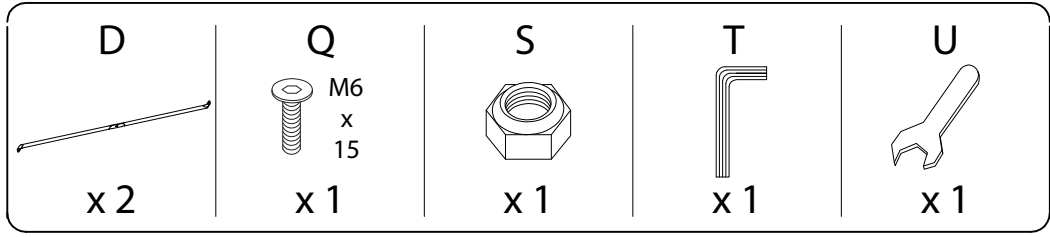
U



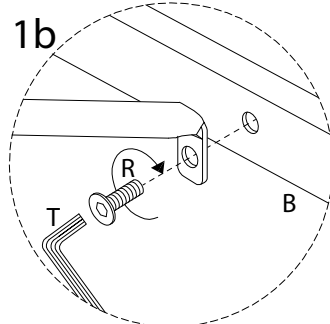
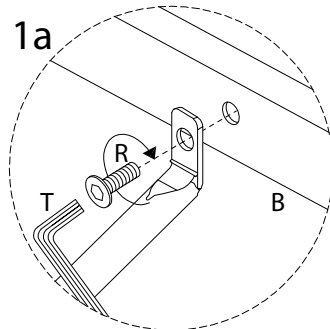
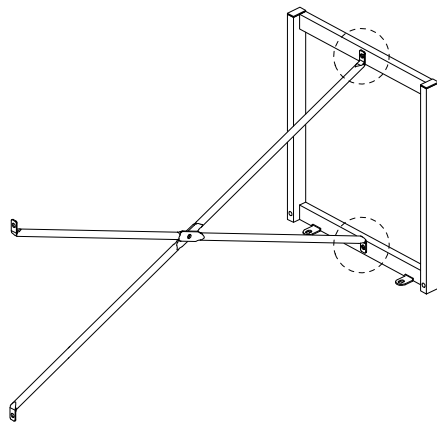
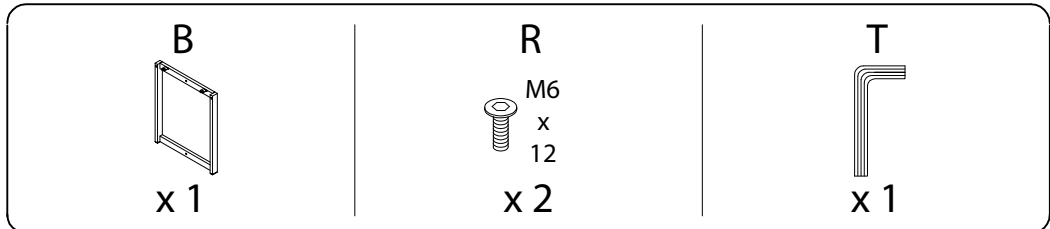
x 1

A

1

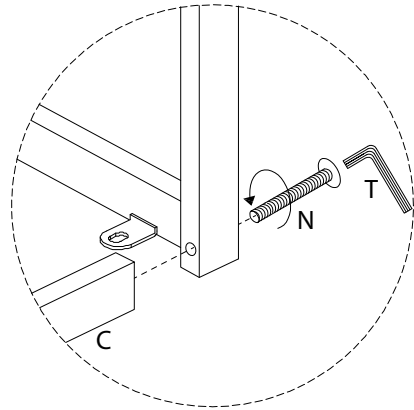
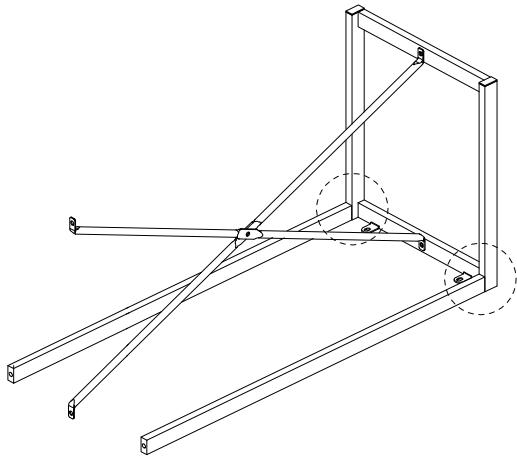
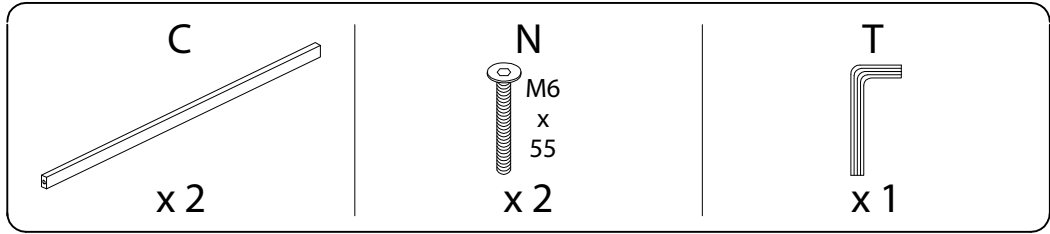


2

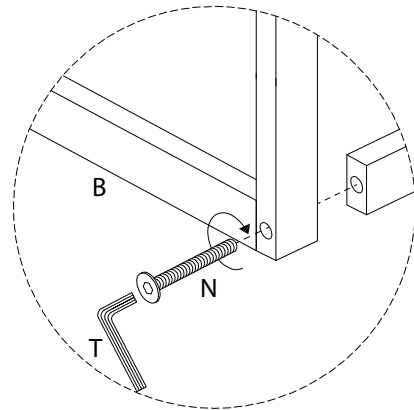
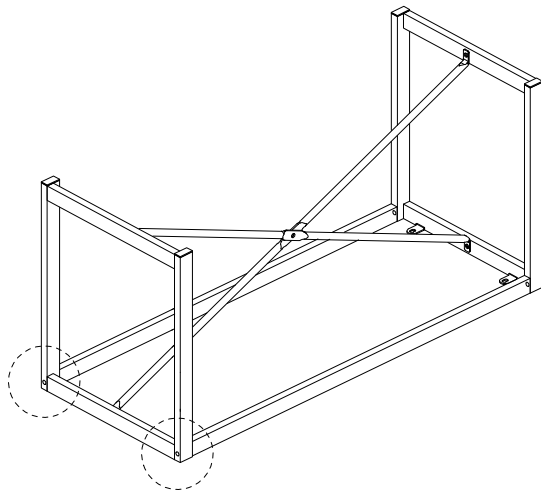
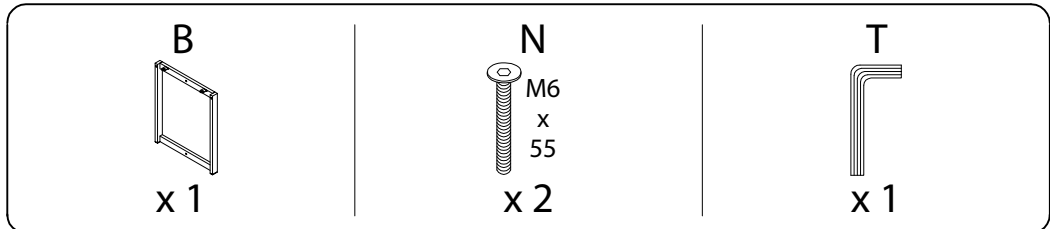


A

3



4



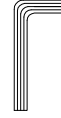
5

R

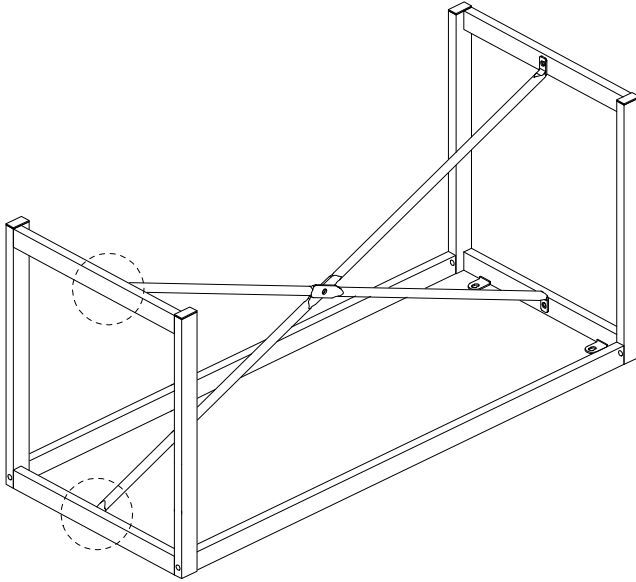


x 2

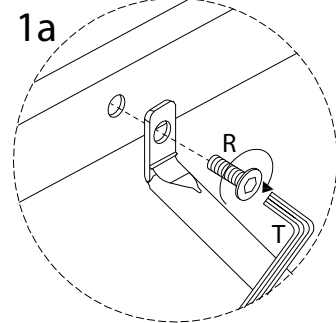
T



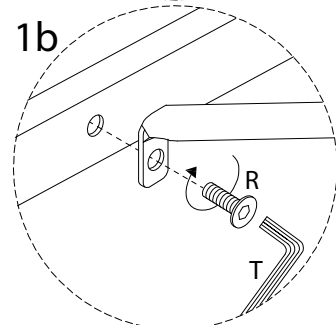
x 1



1a

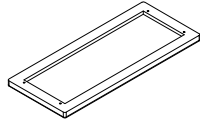


1b



6

A



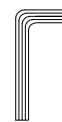
x 1

R

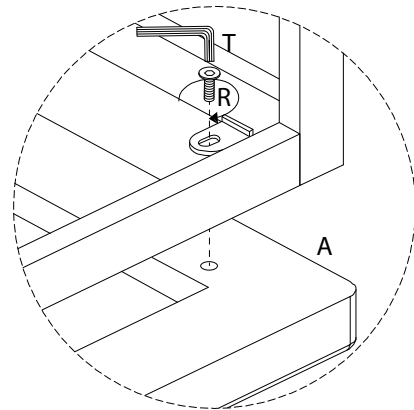
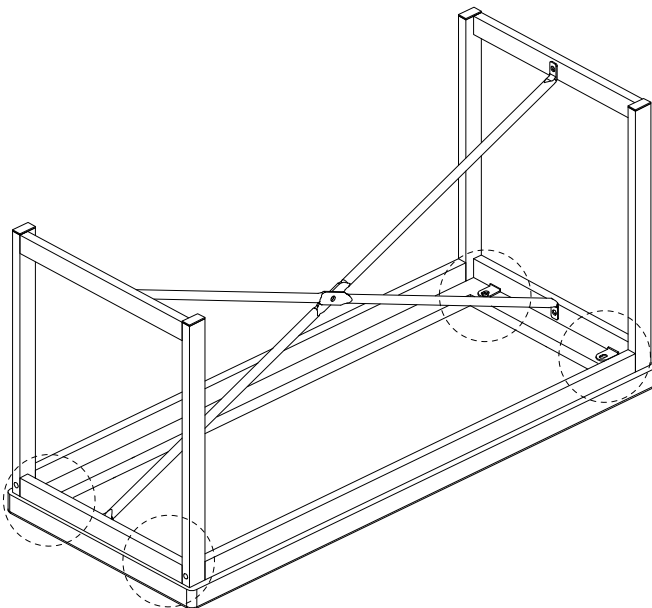


x 4

T

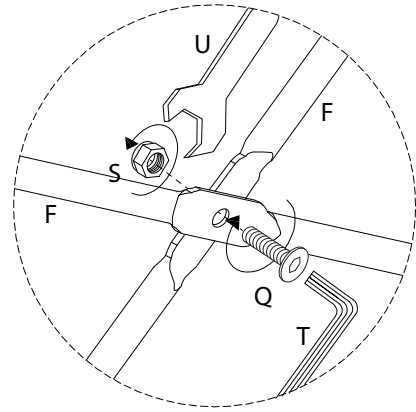
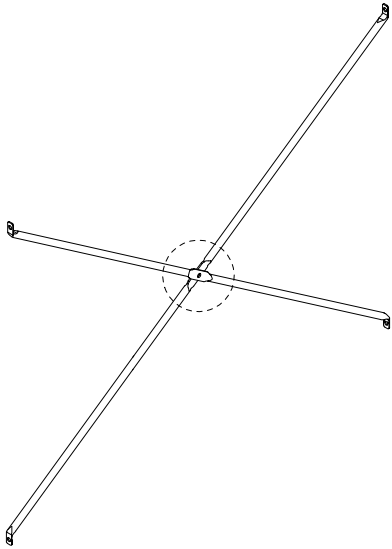
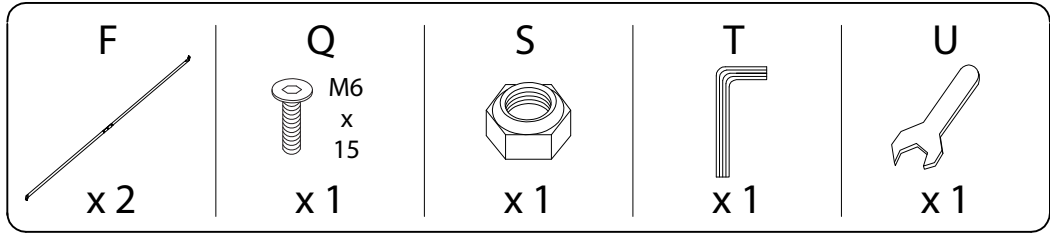


x 1

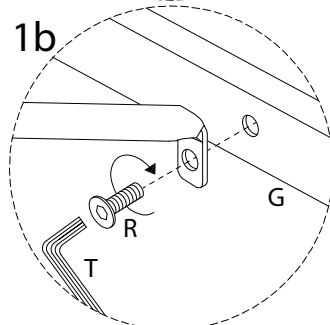
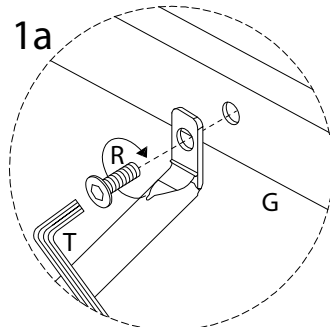
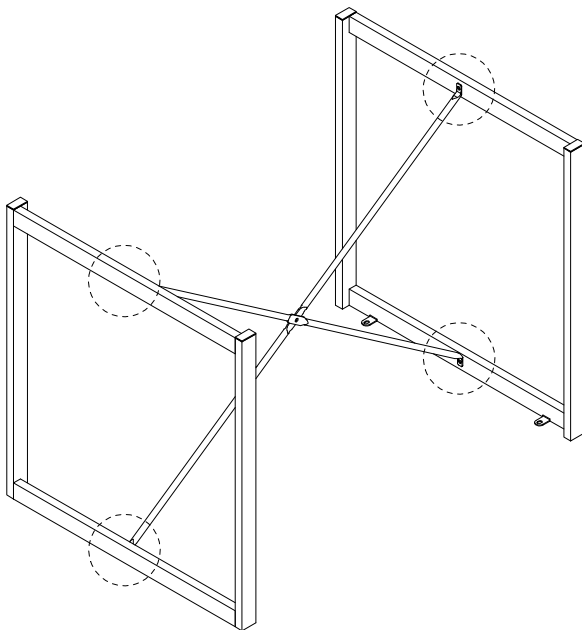
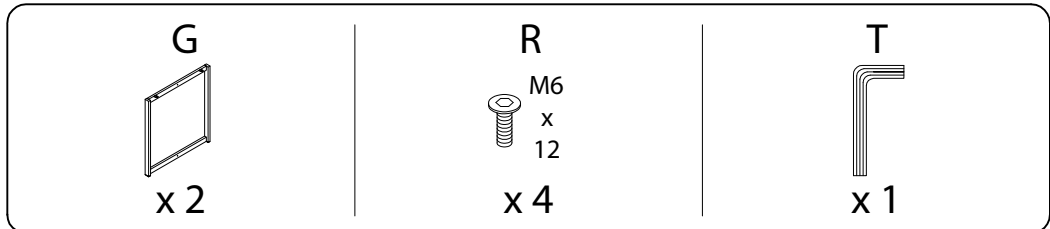


B

1

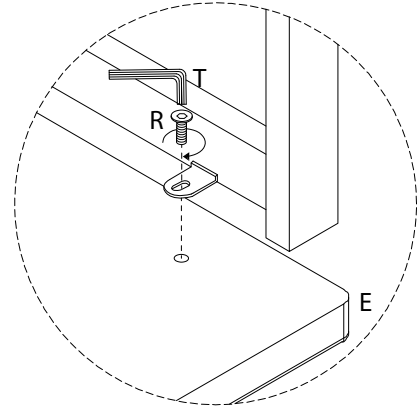
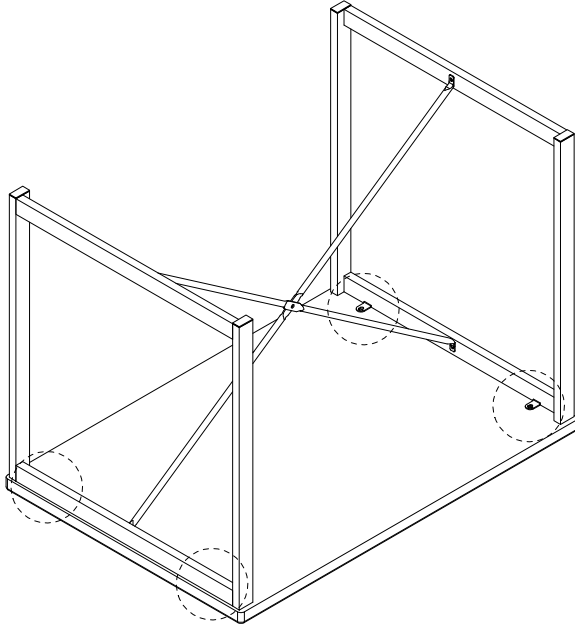
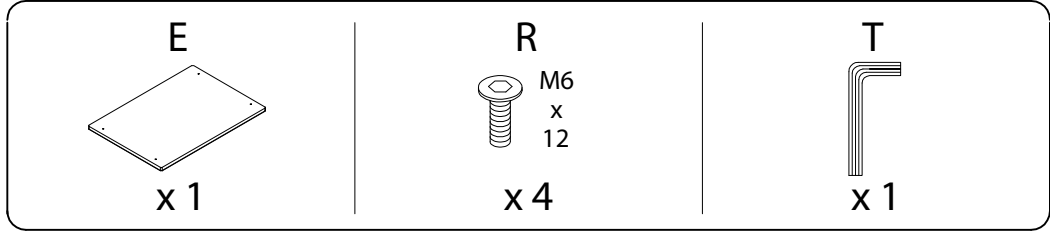


2

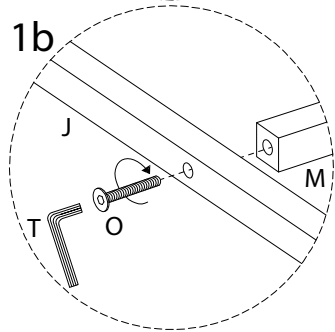
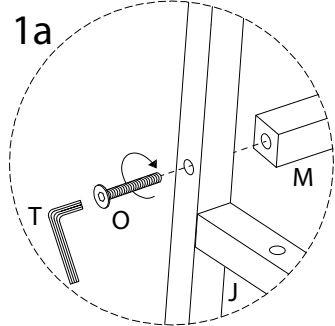
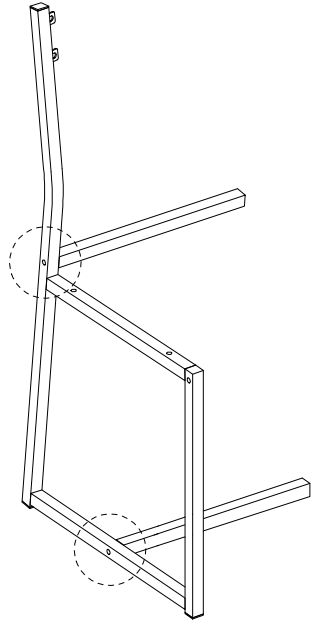
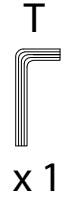
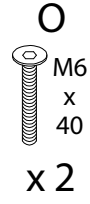
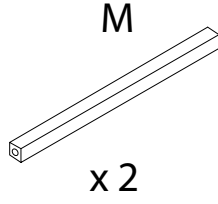


B

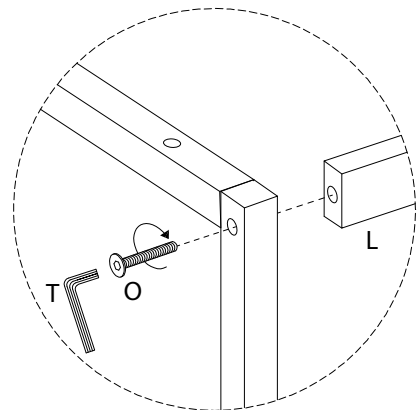
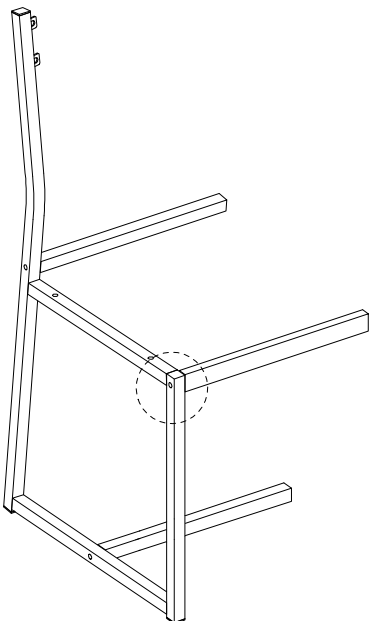
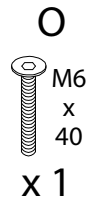
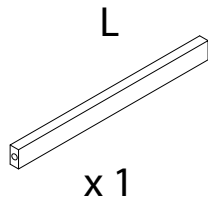
3



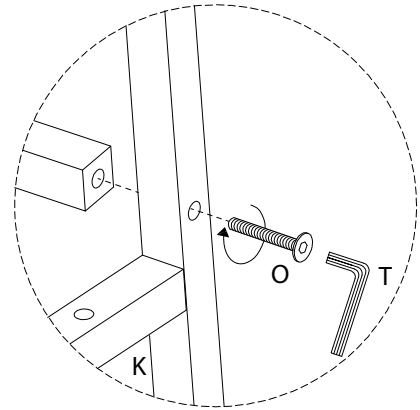
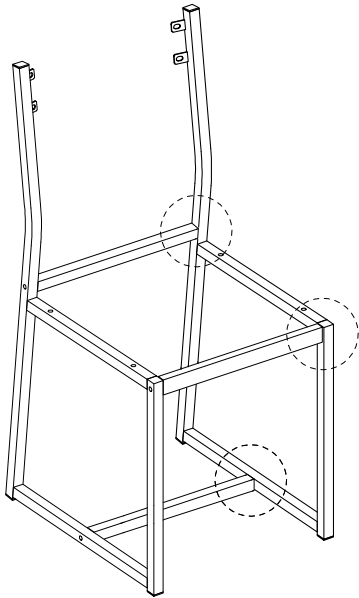
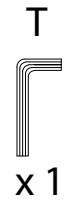
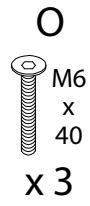
1 x2



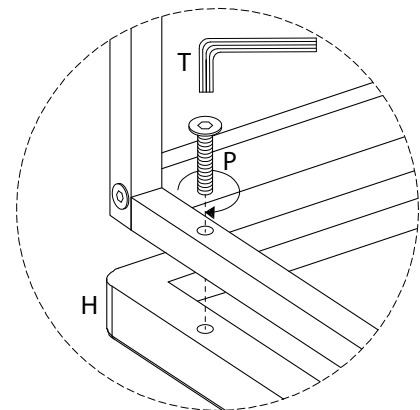
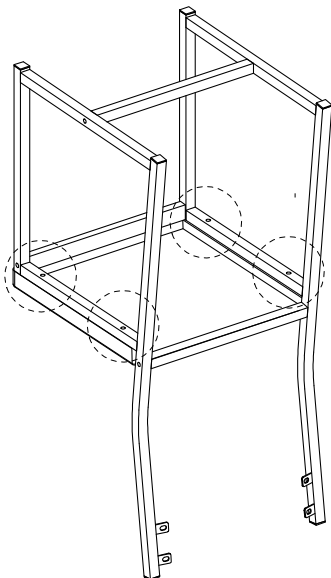
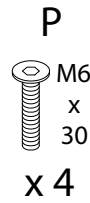
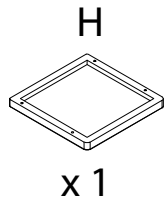
2x2



3 x2

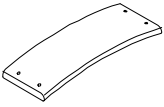
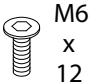
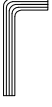


4 x2



C

5 x 2

<p>I</p>  <p>x 1</p>	<p>R</p>  <p>M6 x 12</p> <p>x 4</p>	<p>T</p>  <p>x 1</p>
---	--	---

