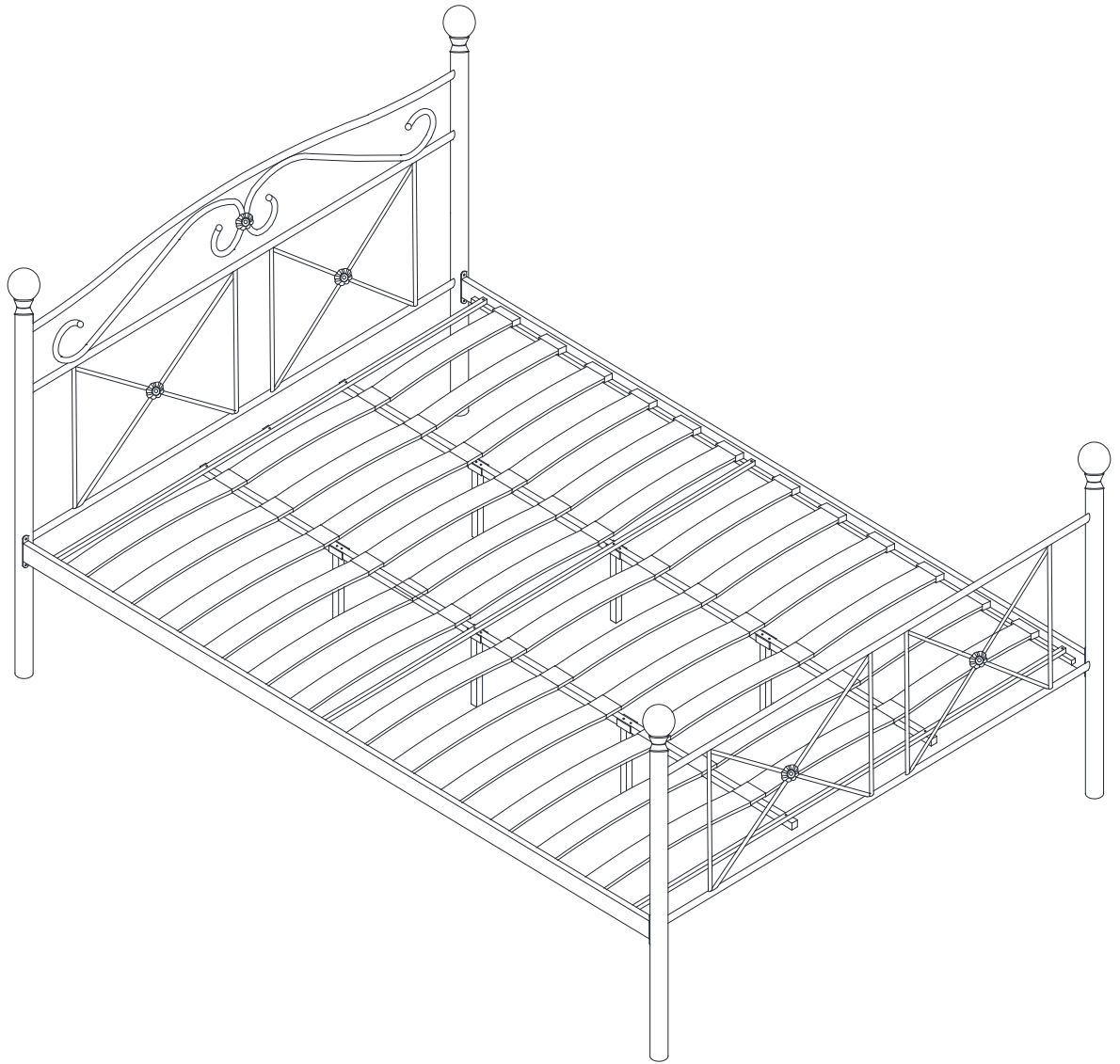
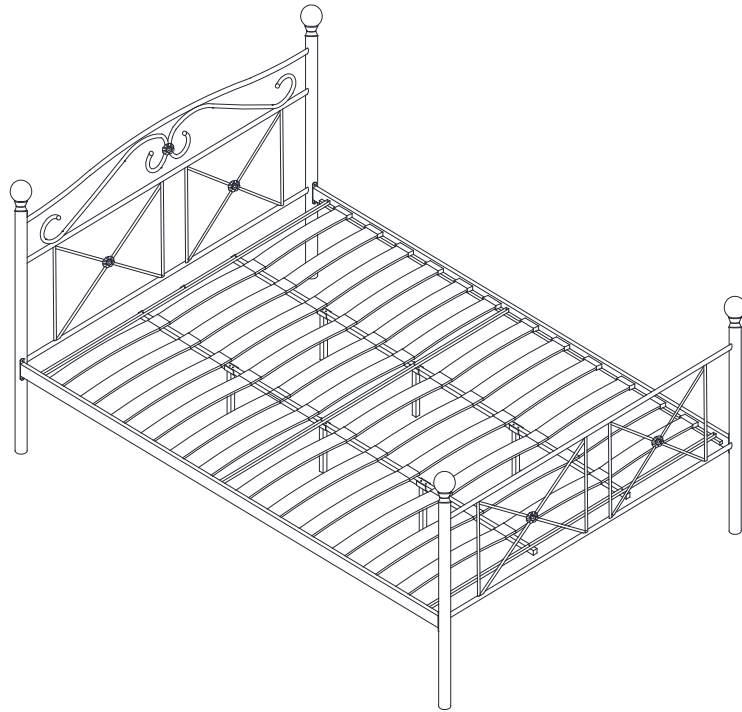
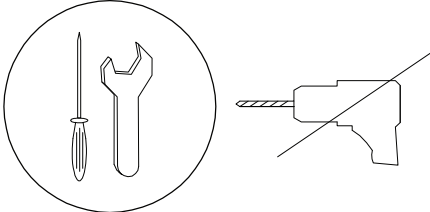

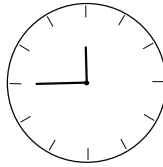
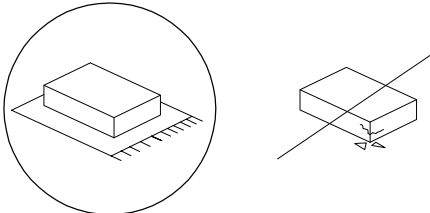


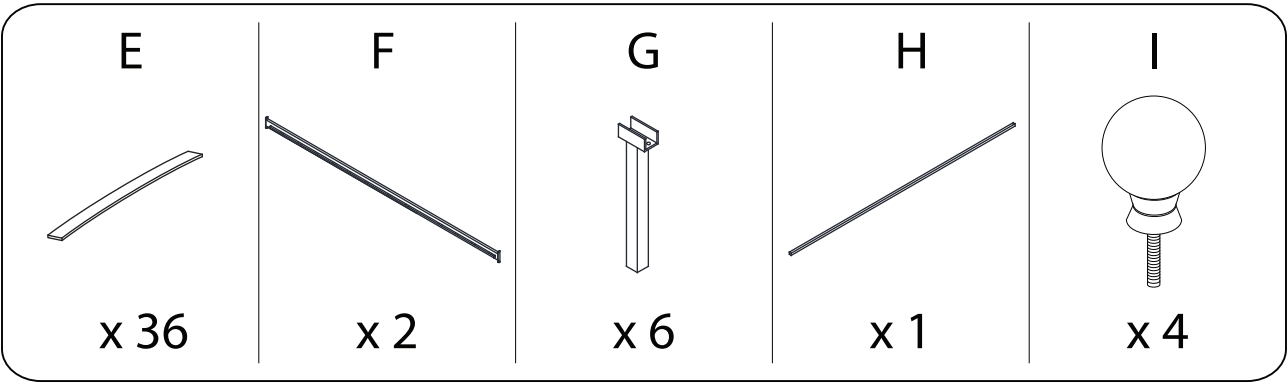
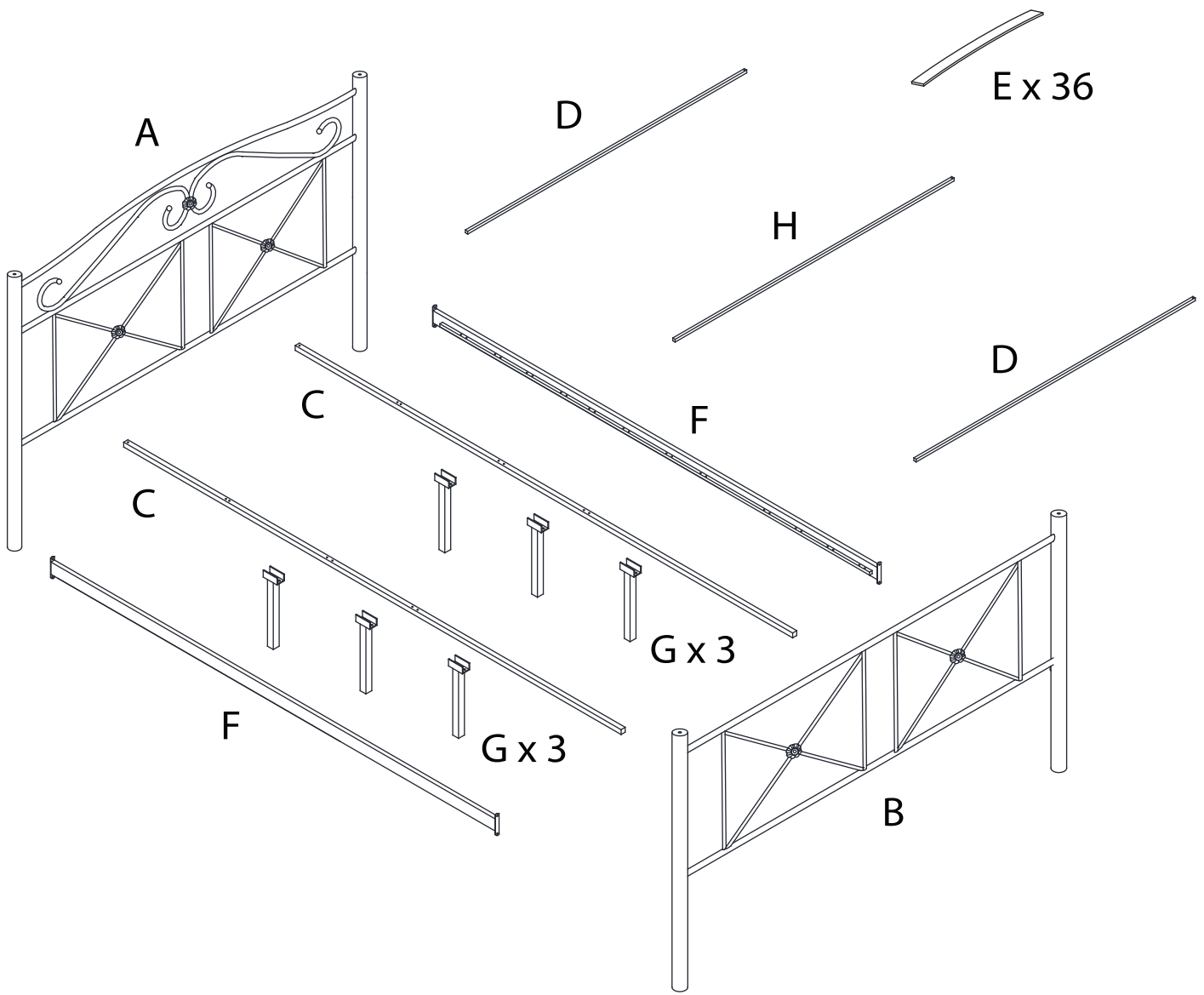
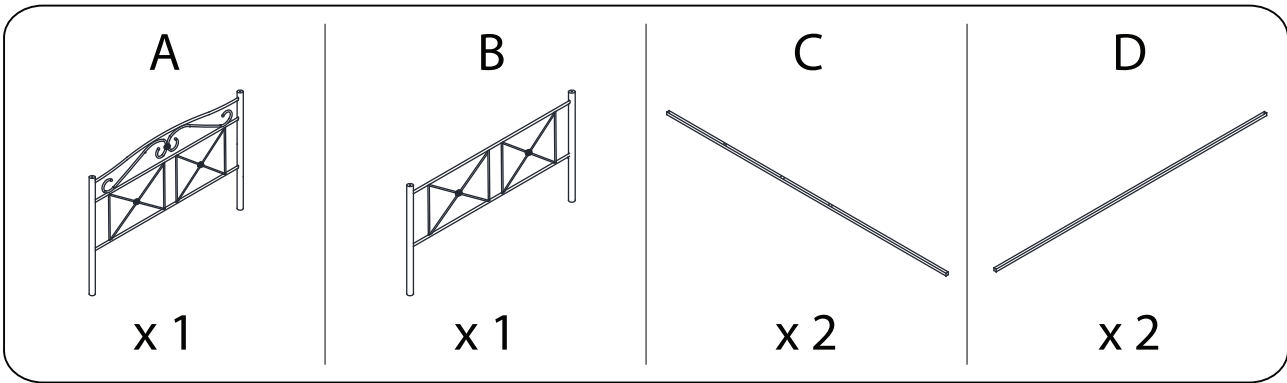


RODEZ

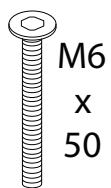




		
		45'
		
		2

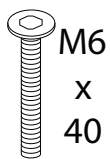


J



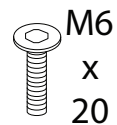
x 6

K



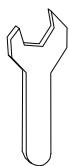
x 18

L



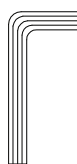
x 16

M



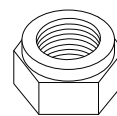
x 1

N



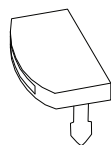
x 1

O



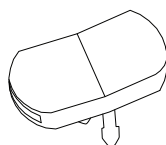
x 18

P



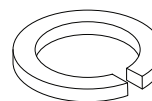
x 24

Q



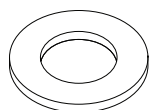
x 24

R



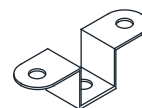
x 8

S



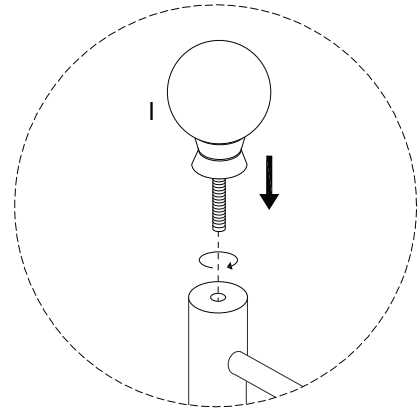
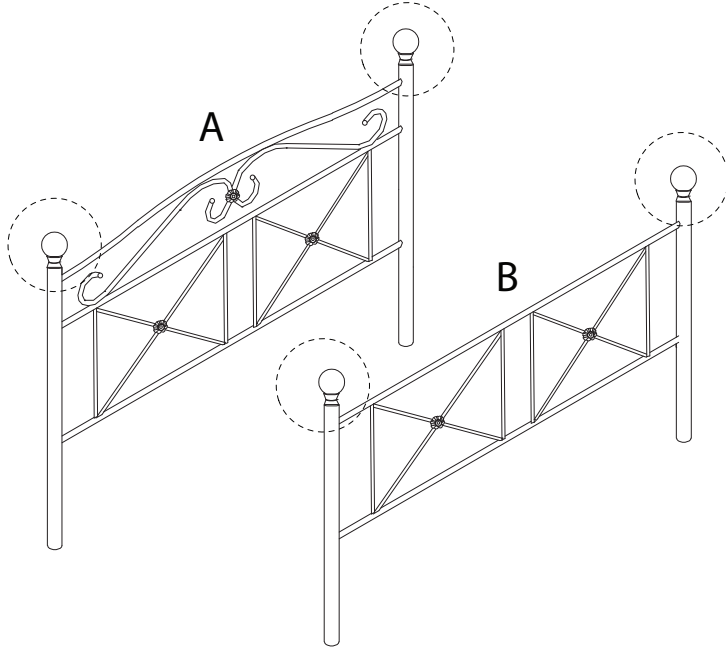
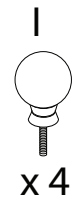
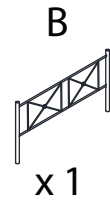
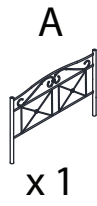
x 46

T

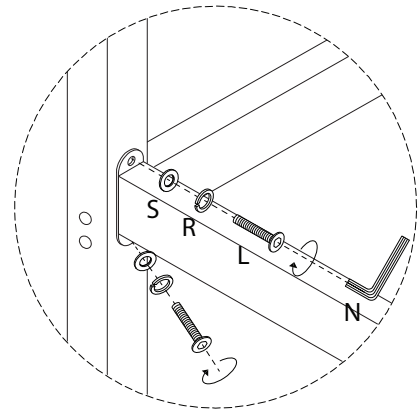
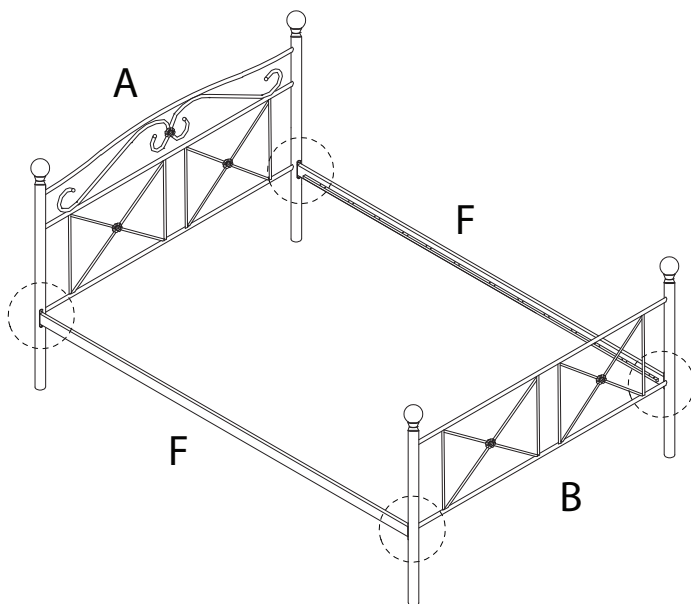
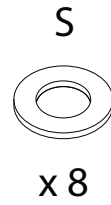
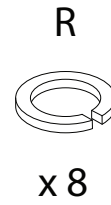
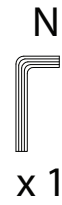
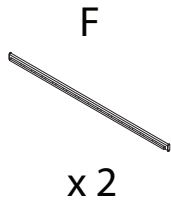


x 4

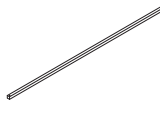
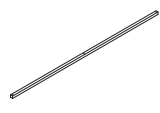
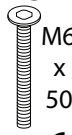

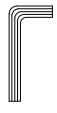
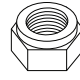
1

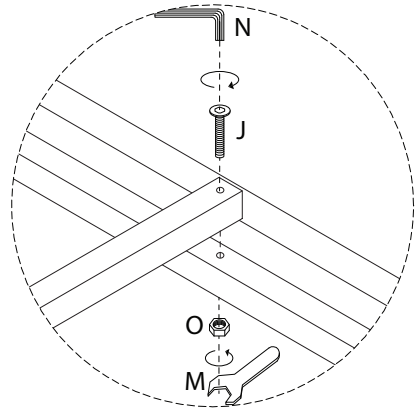
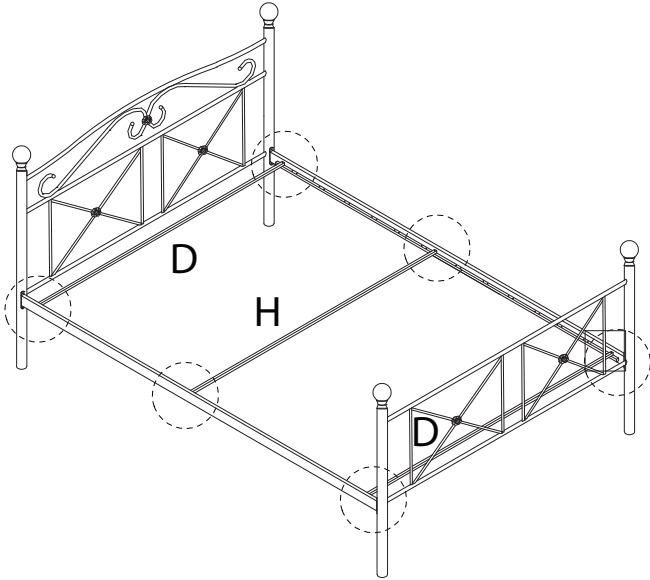


2

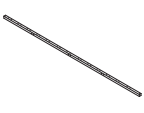
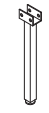
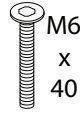

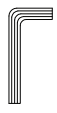
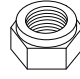



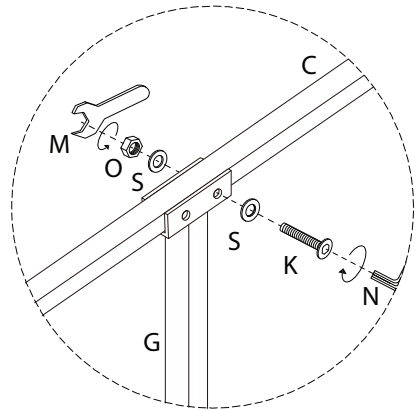
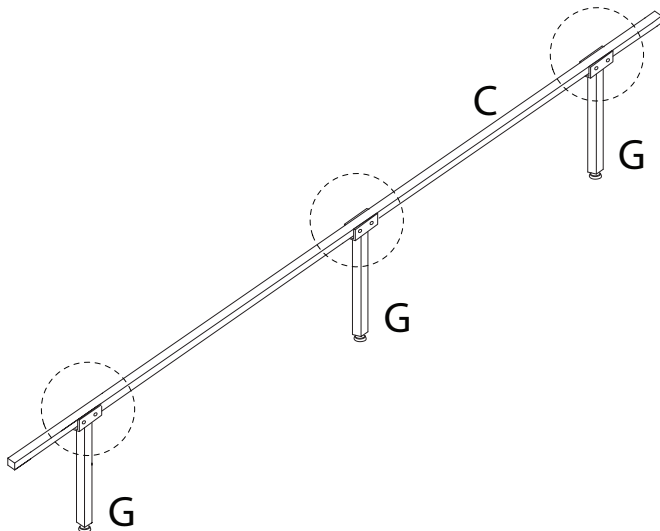
3

D	H	J	M	N	O
					
x 2	x 1	x 6	x 1	x 1	x 6



4 x 2

C	G	K	M	N	O	S
						
x 1	x 3	x 6	x 1	x 1	x 6	x 12



5

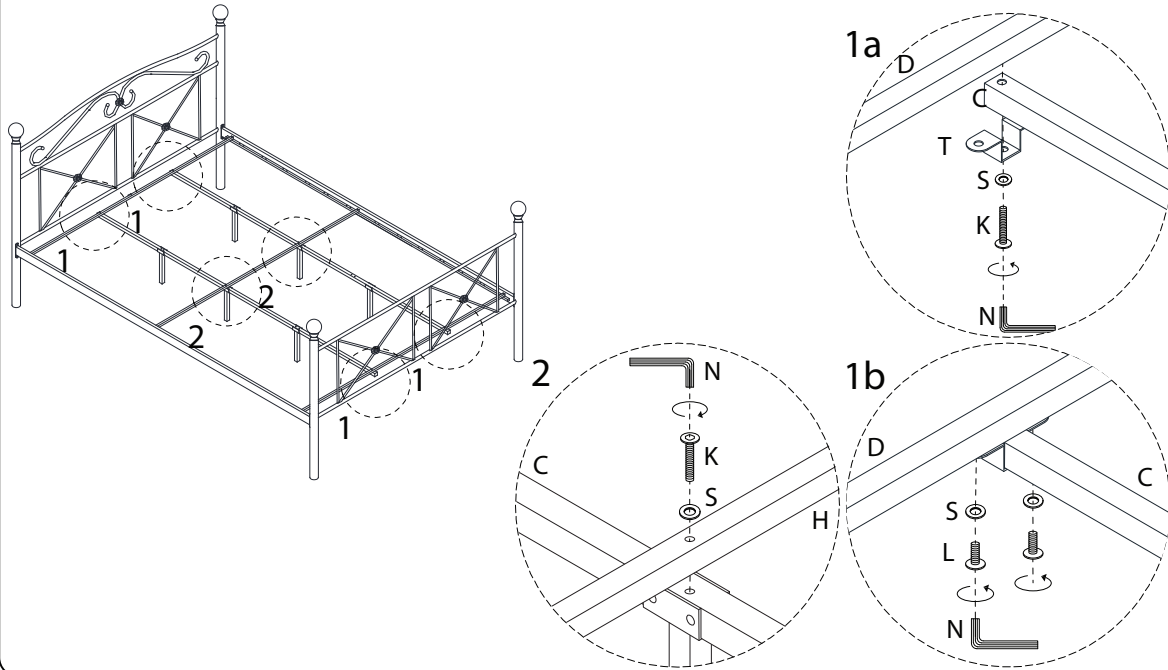
K
M6
x
40
x 6

L
M6
x
20
x 8

N
x 1

S
x 14

T
x 4



6

E
x 36

P
x 24

Q
x 24

