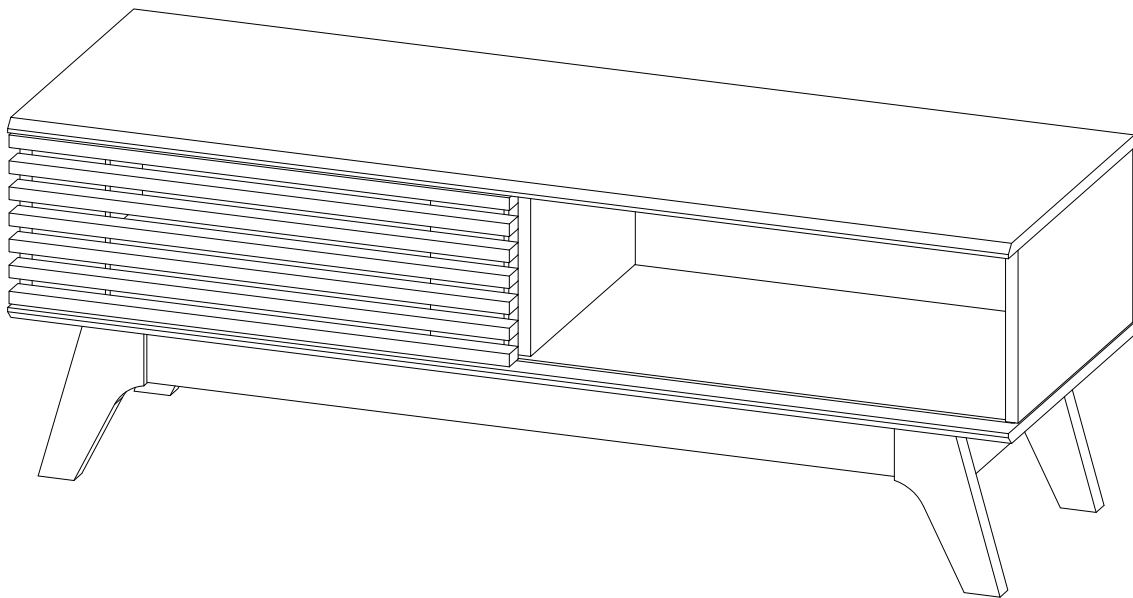
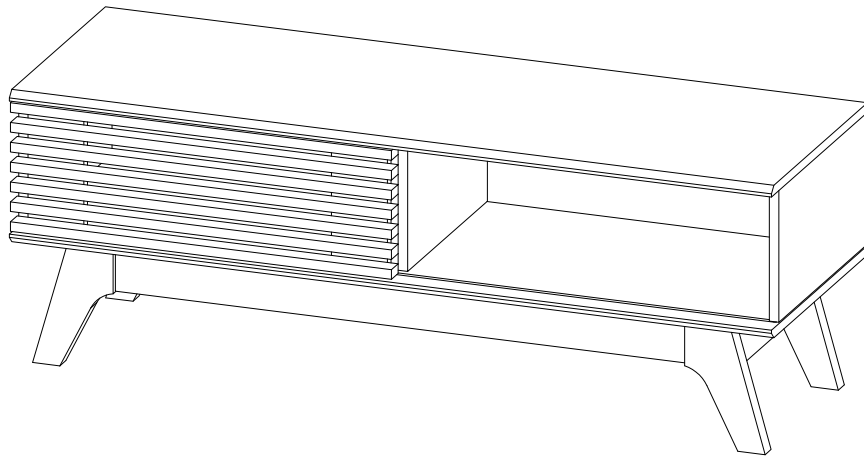
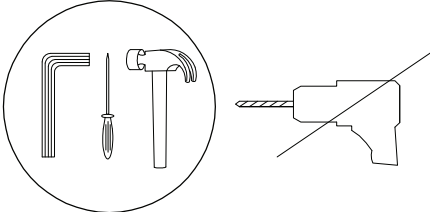

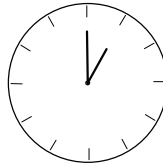
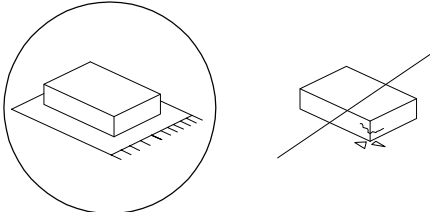


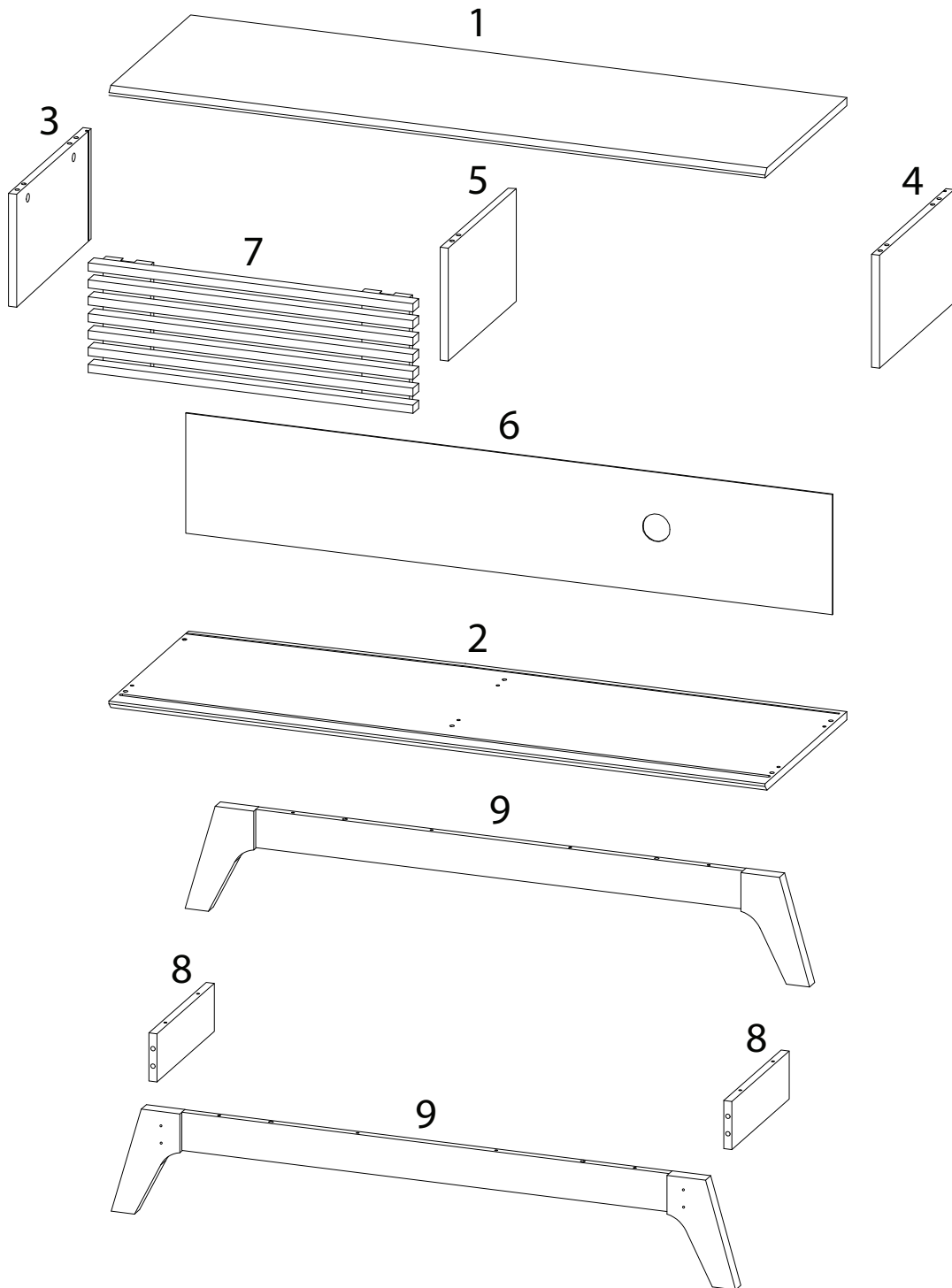




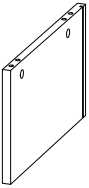
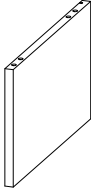
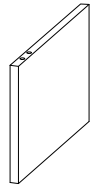
TOLEDO II



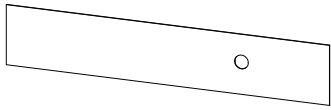


		
		
		60'
		2



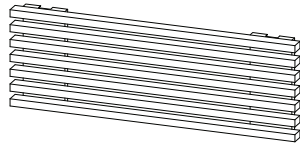
<p>1</p> 	<p>2</p> 	<p>3</p> 	<p>4</p> 	<p>5</p> 
<p>x 1</p>	<p>x 1</p>	<p>x 1</p>	<p>x 1</p>	<p>x 1</p>

6



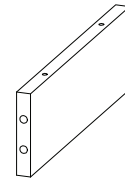
x 1

7



x 1

8



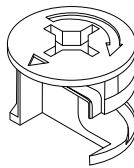
x 2

9



x 2

A₁



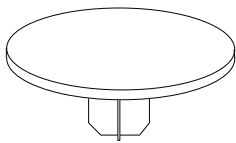
x 10

A₂



x 10

A₃



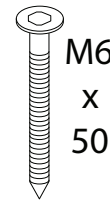
x 10

B



x 20

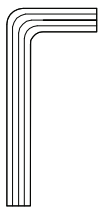
C



M6
x
50

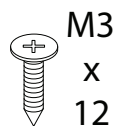
x 6

D



x 1

E



M3
x
12

x 8

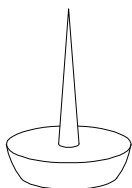
F



M4
x
65

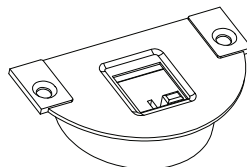
x 12

G



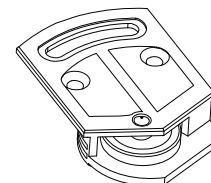
x 4

H₁



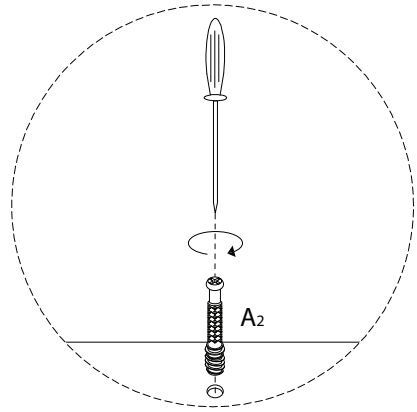
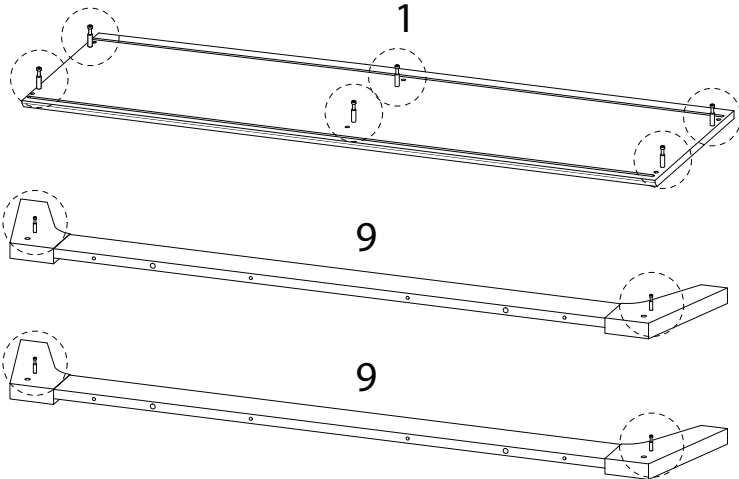
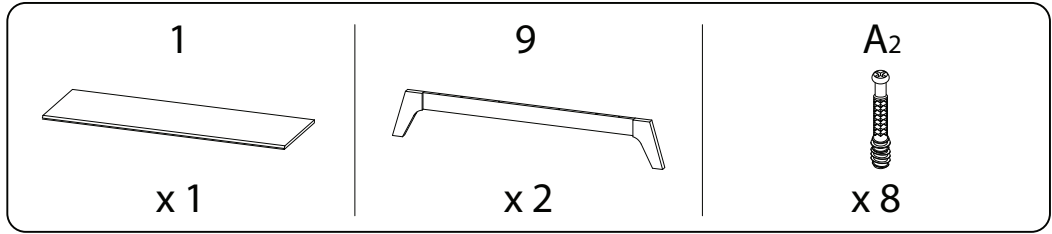
x 2

H₂

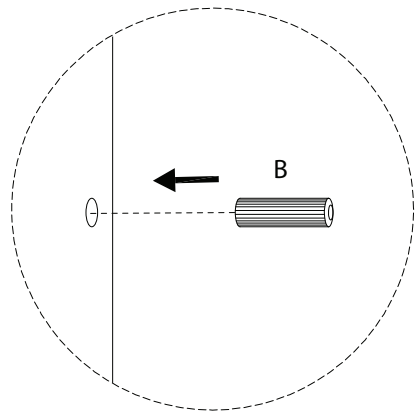
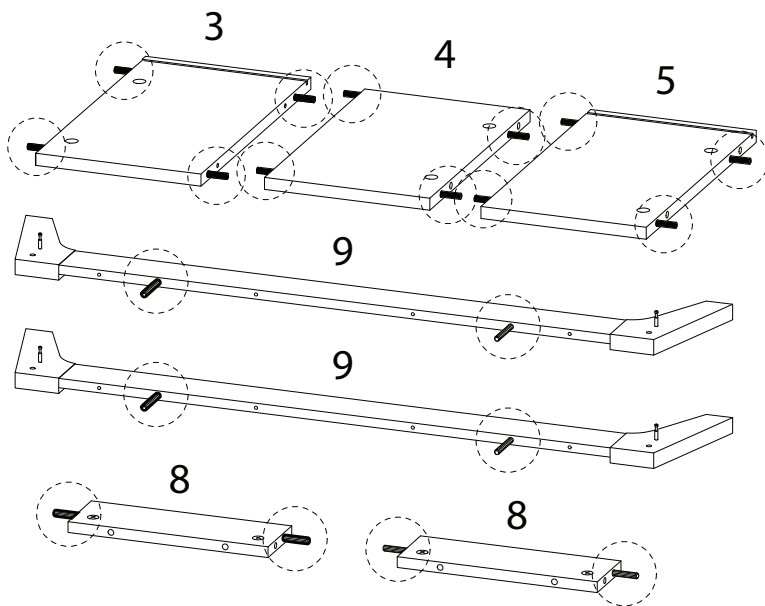
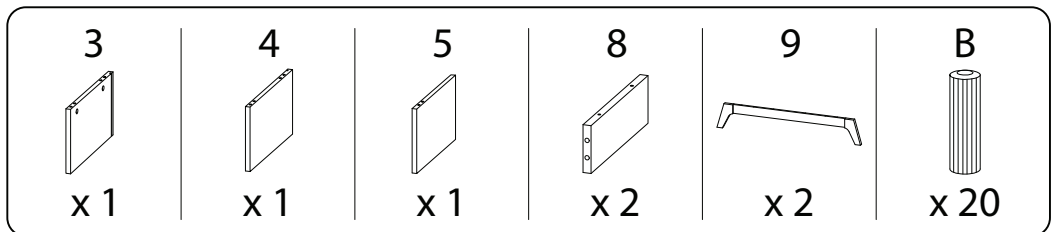


x 2

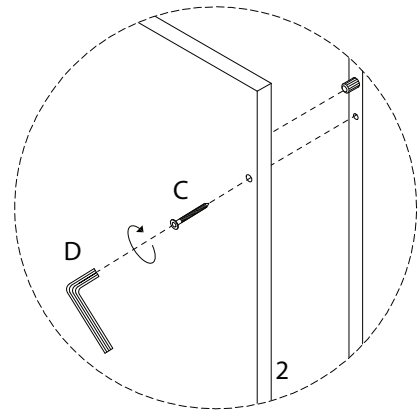
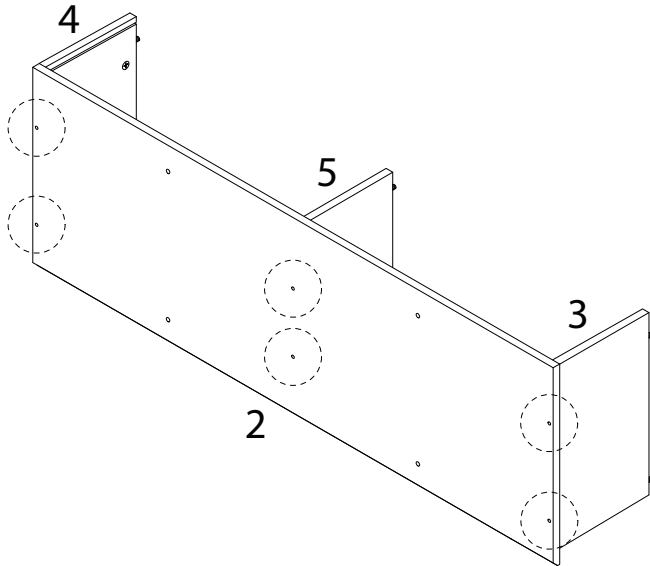
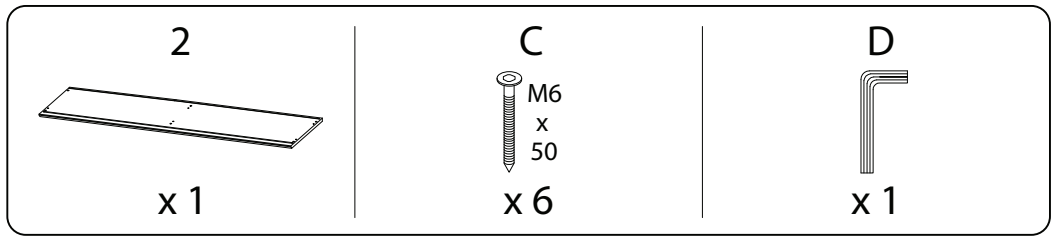
1



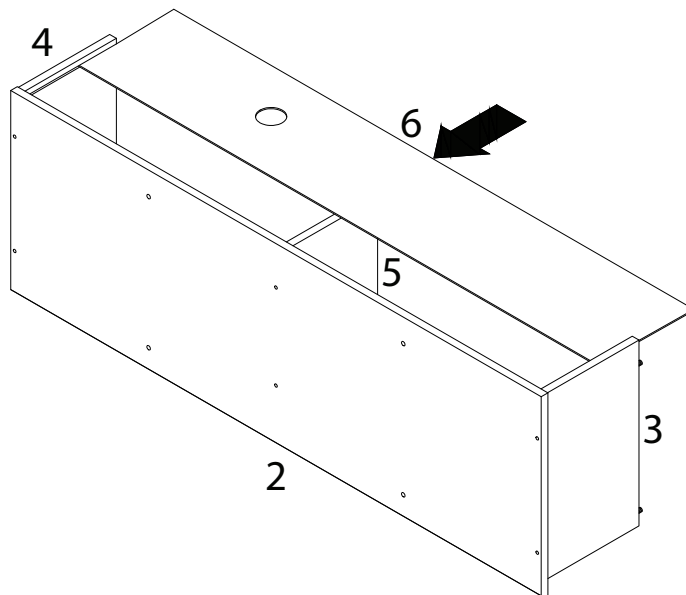
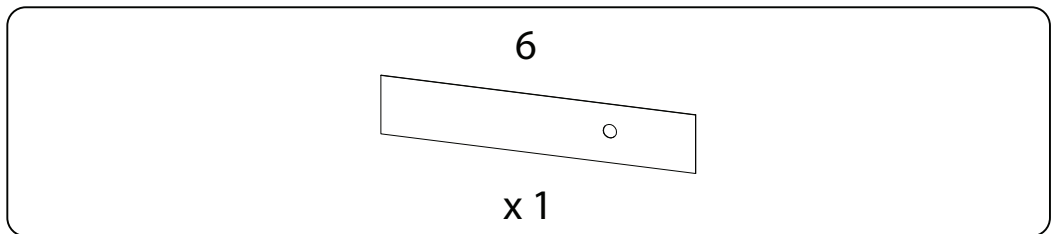
2



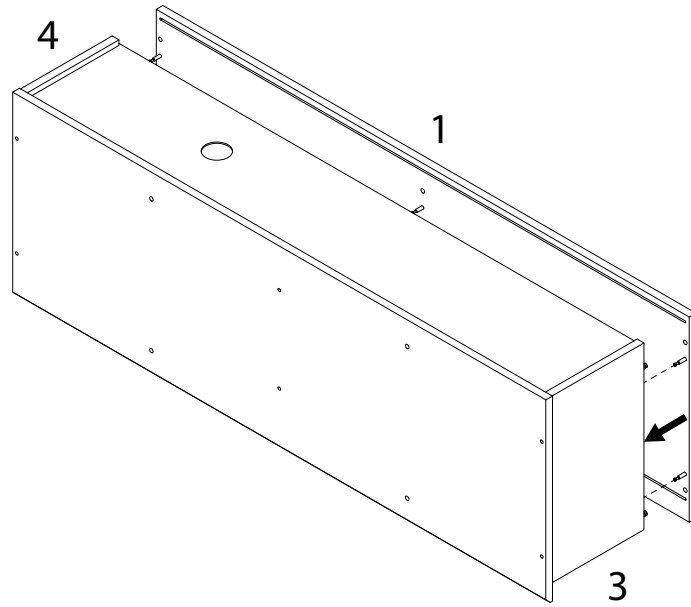
3



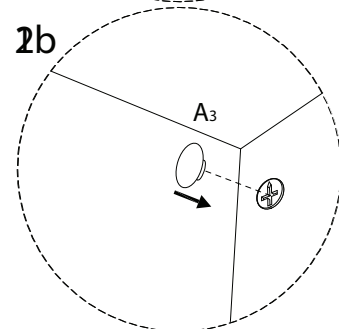
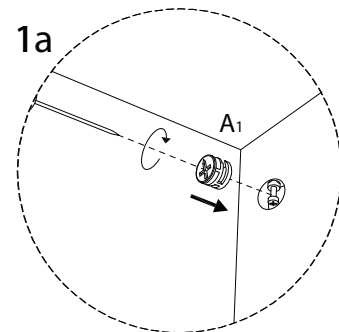
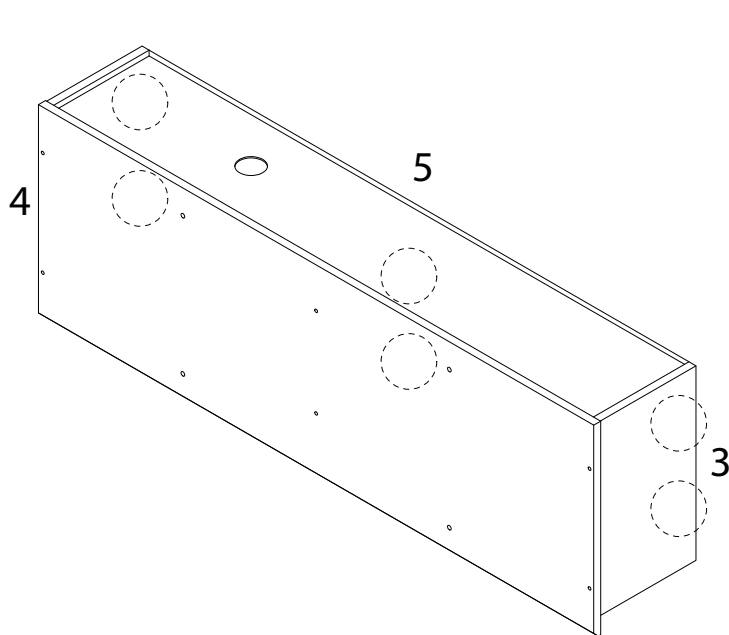
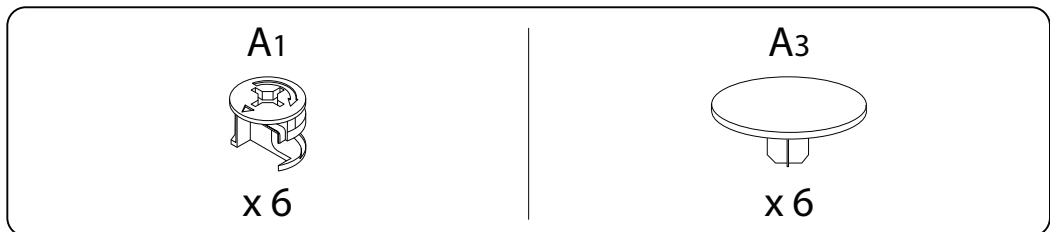
4



5

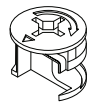


6

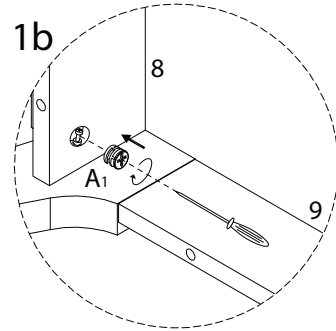
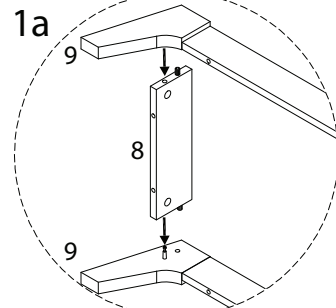
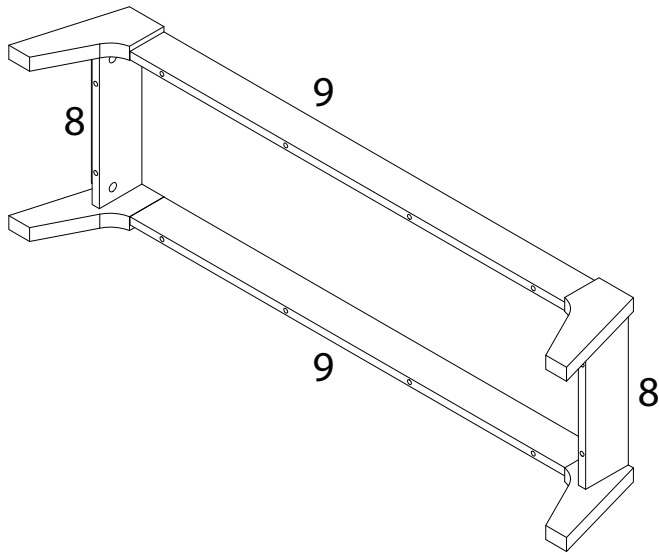


7

A1

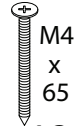


x 4

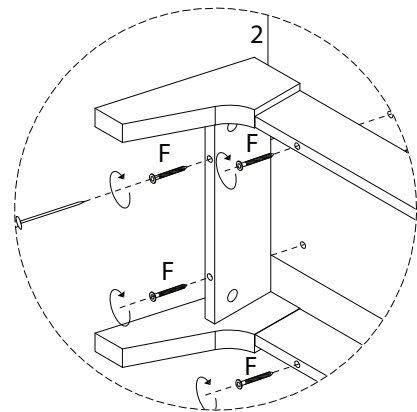
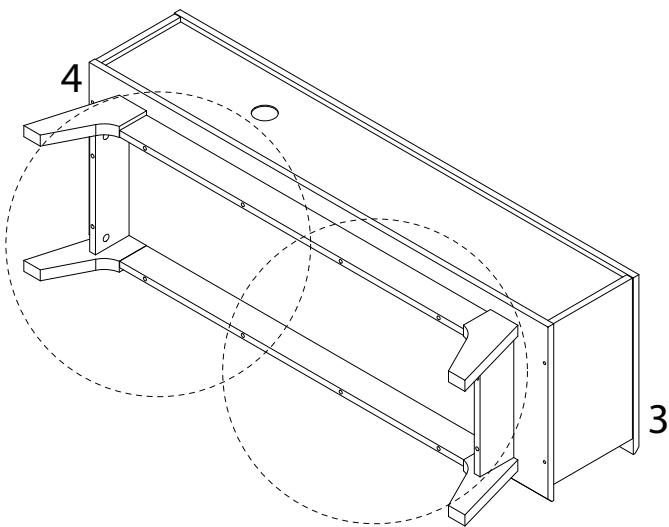


8

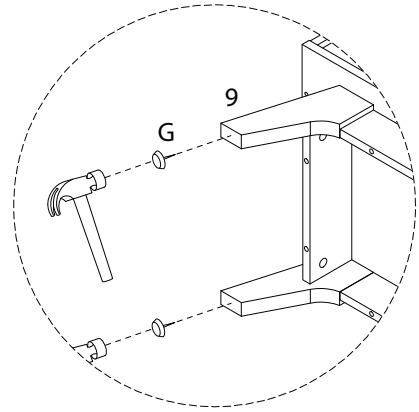
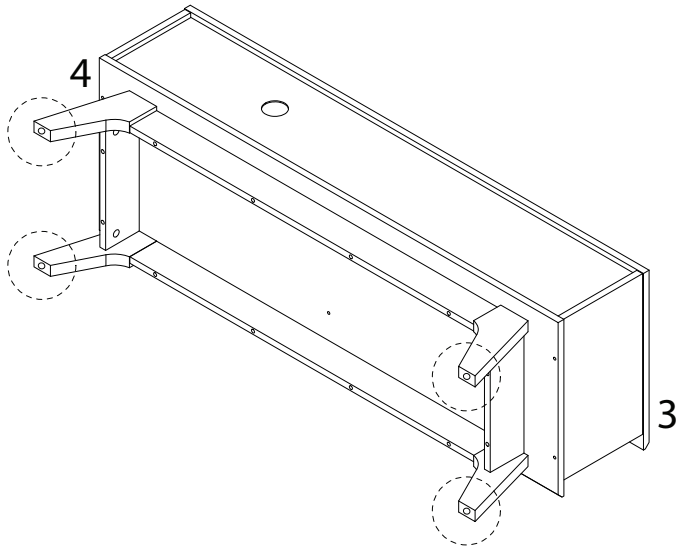
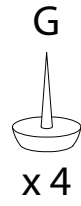
F



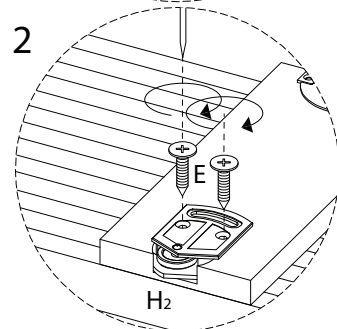
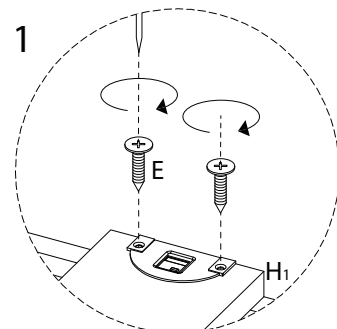
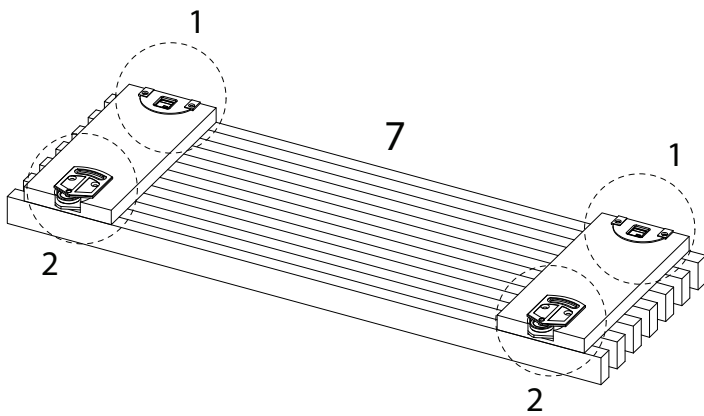
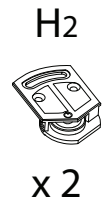
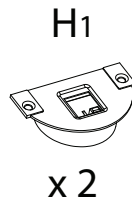
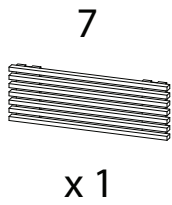
x 12



9



10



11

